



US00D732902S

(12) **United States Design Patent**  
**Ebli**

(10) **Patent No.:** **US D732,902 S**  
(45) **Date of Patent:** **\*\* Jun. 30, 2015**

(54) **SPOON**

(71) Applicant: **Rundpack AG**, Diepoldsau (CH)

(72) Inventor: **Stefan Ebli**, Rutzenmoos (AT)

(73) Assignee: **Rundpack AG**, Diepoldsau (CH)

(\*\*) Term: **14 Years**

(21) Appl. No.: **29/478,910**

(22) Filed: **Jan. 9, 2014**

(30) **Foreign Application Priority Data**

Jul. 10, 2013 (EM) ..... 002271916-0001

(51) **LOC (10) Cl.** ..... **07-03**

(52) **U.S. Cl.**  
USPC ..... **D7/653**

(58) **Field of Classification Search**  
USPC ..... D7/368, 401.2, 642-645, 653-664, 669,  
D7/675-677, 683, 688-689, 691; D8/10,  
D8/107, 300-301; D10/46.2; D32/74;  
D22/117-118; 16/110.1, 407, 430;  
30/1, 137, 142-150, 322-329, 340,  
30/342-345; 209/419; 294/25-26, 49,  
294/55.5, 57

CPC ..... A01D 9/02; A01D 9/04; A01D 9/06;  
A47G 21/00; A47G 21/004; A47G 21/005;  
A47G 21/02; A47G 21/023; A47G 21/04;  
A47G 21/06; A47G 21/08; A47J 37/0786;  
A47J 43/28; A47J 43/281; A47J 43/282;  
A61F 13/10; A61J 7/0023; B25G 1/00;  
B25G 1/01; B25G 1/02; B25G 3/00; B65D  
75/56; B65D 75/563; B65D 75/566; B67B  
7/00; B67B 7/724; B67B 7/73; F24B 15/08

See application file for complete search history.

(56) **References Cited**

U.S. PATENT DOCUMENTS

1,554,525	A *	9/1925	Ricci	209/419
D172,806	S *	8/1954	Reinecke	D7/653
D176,160	S *	11/1955	Seibert	D7/653
D388,286	S *	12/1997	Fox	D7/653
D411,081	S *	6/1999	Holland	D7/653
D519,041	S *	4/2006	McGuyer	D10/46.2
D543,426	S *	5/2007	Donaldson	D8/10
D606,372	S *	12/2009	Gorskey et al.	D7/688
D628,448	S *	12/2010	Genatossio	D7/691
D633,267	S *	2/2011	Caleca	D32/74
D684,331	S *	6/2013	Vasilakes et al.	D32/74
D708,025	S *	7/2014	Cloutier et al.	D7/688
2007/0050986	A1 *	3/2007	Foster et al.	30/142

\* cited by examiner

*Primary Examiner* — Ricky Pham

(74) *Attorney, Agent, or Firm* — Collard & Roe, P.C.

(57) **CLAIM**

The ornamental design for a spoon, as shown and described.

**DESCRIPTION**

FIG. 1 is a top and right side perspective view of my design for a spoon;

FIG. 2 is a top view thereof;

FIG. 3 is a right side view thereof, with the left side view being a mirror image thereof;

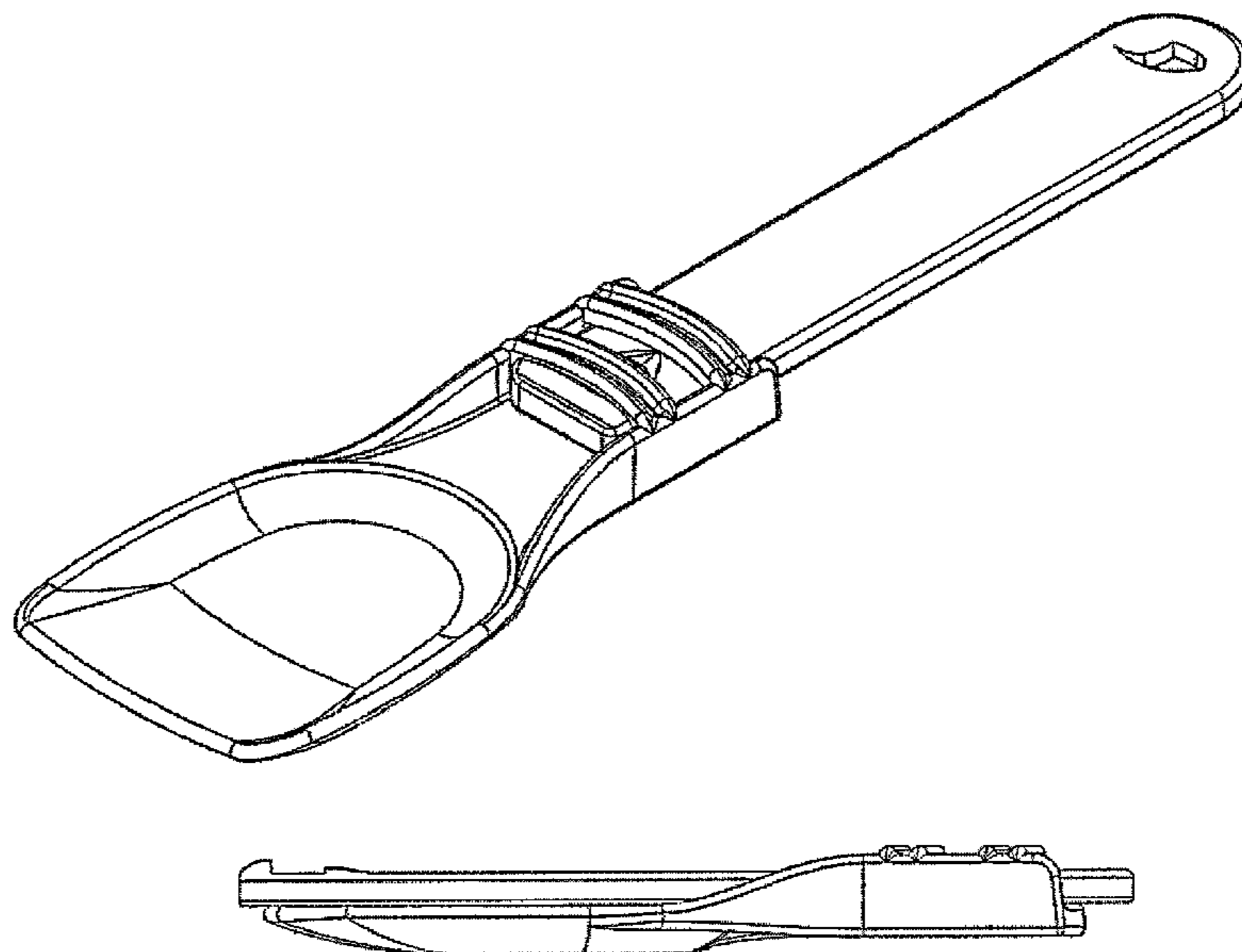
FIG. 4 is a right side view of the spoon in a folded position;

FIG. 5 is bottom view thereof;

FIG. 6 is a bottom and left side perspective view thereof; and,

FIG. 7 is a top view thereof in a folded position.

**1 Claim, 6 Drawing Sheets**



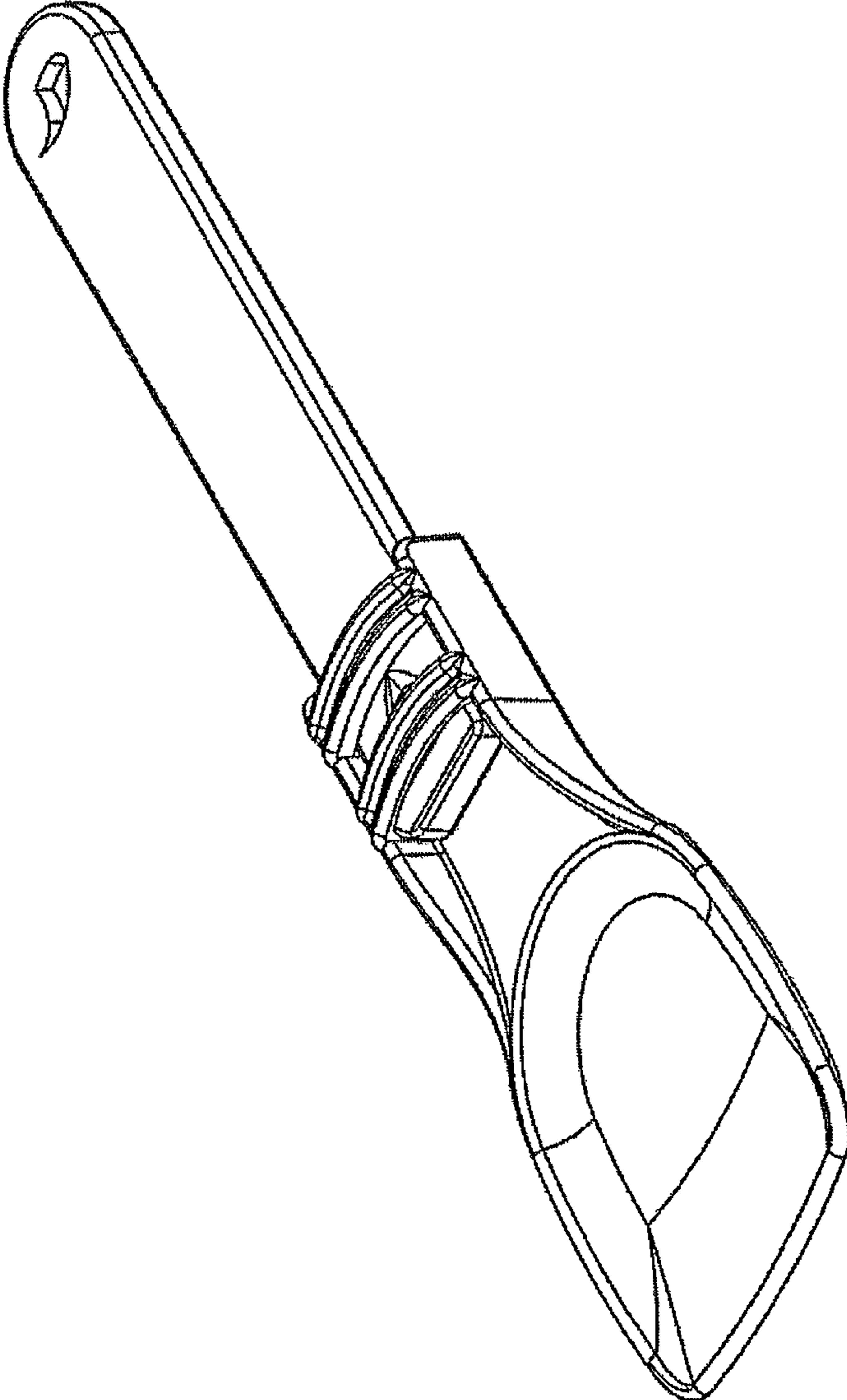


FIG. 1

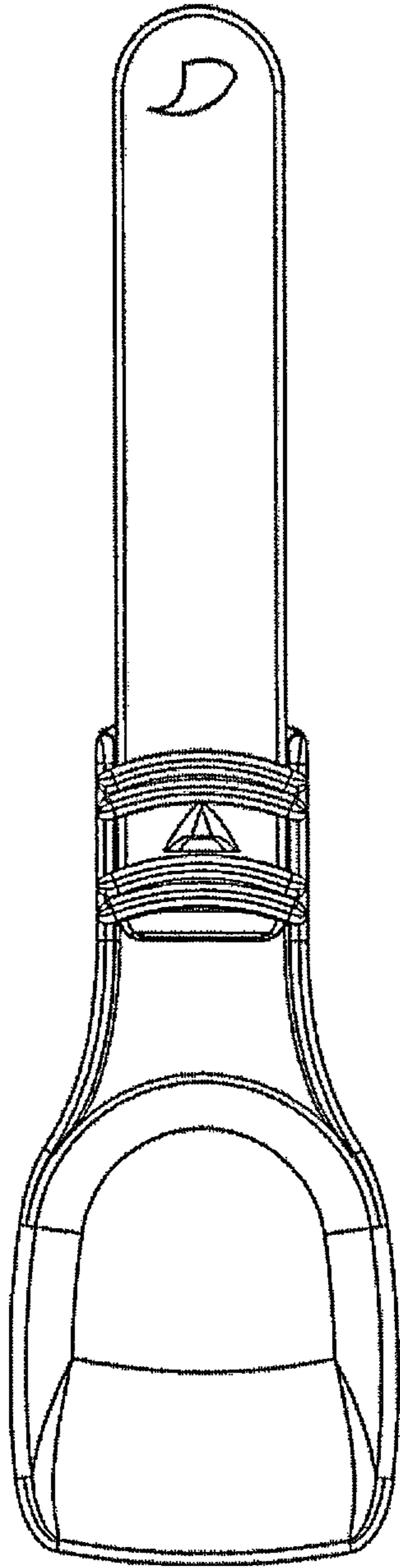


FIG. 2

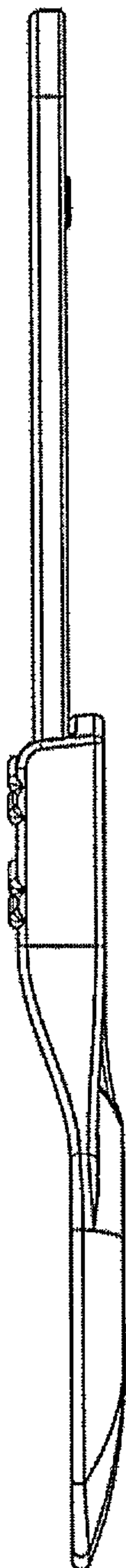


FIG. 3



FIG. 4

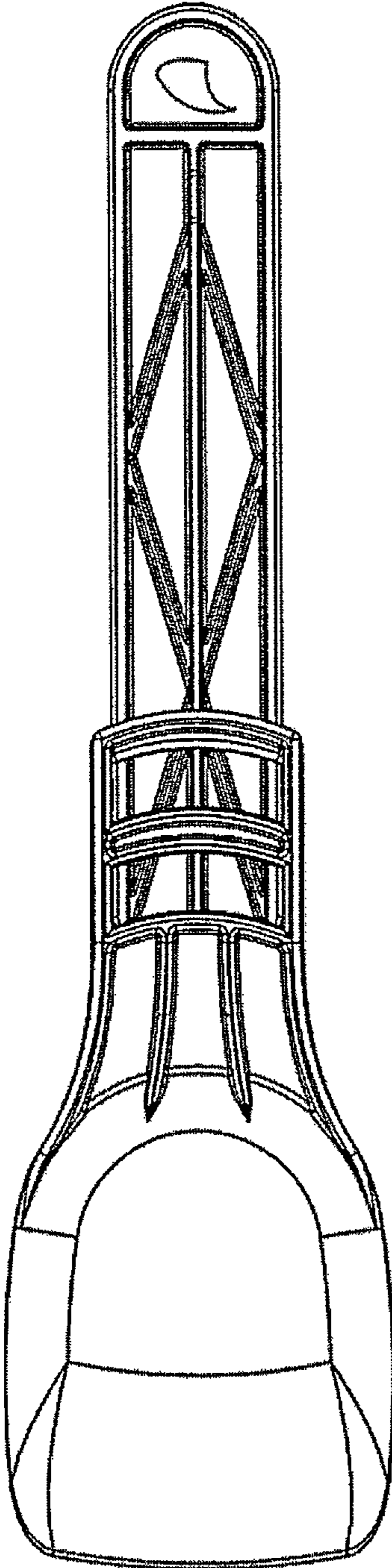


FIG. 5

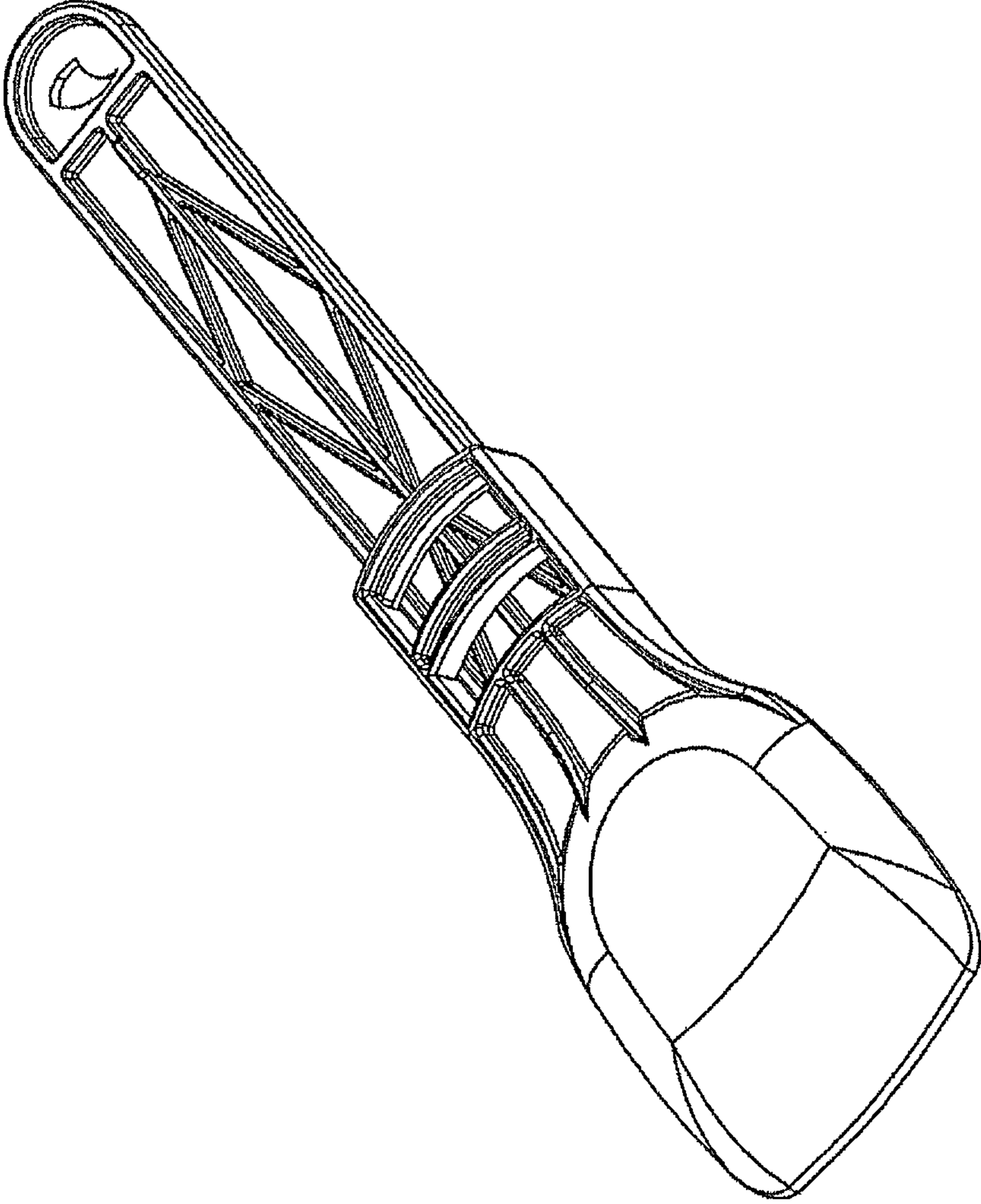


FIG. 6

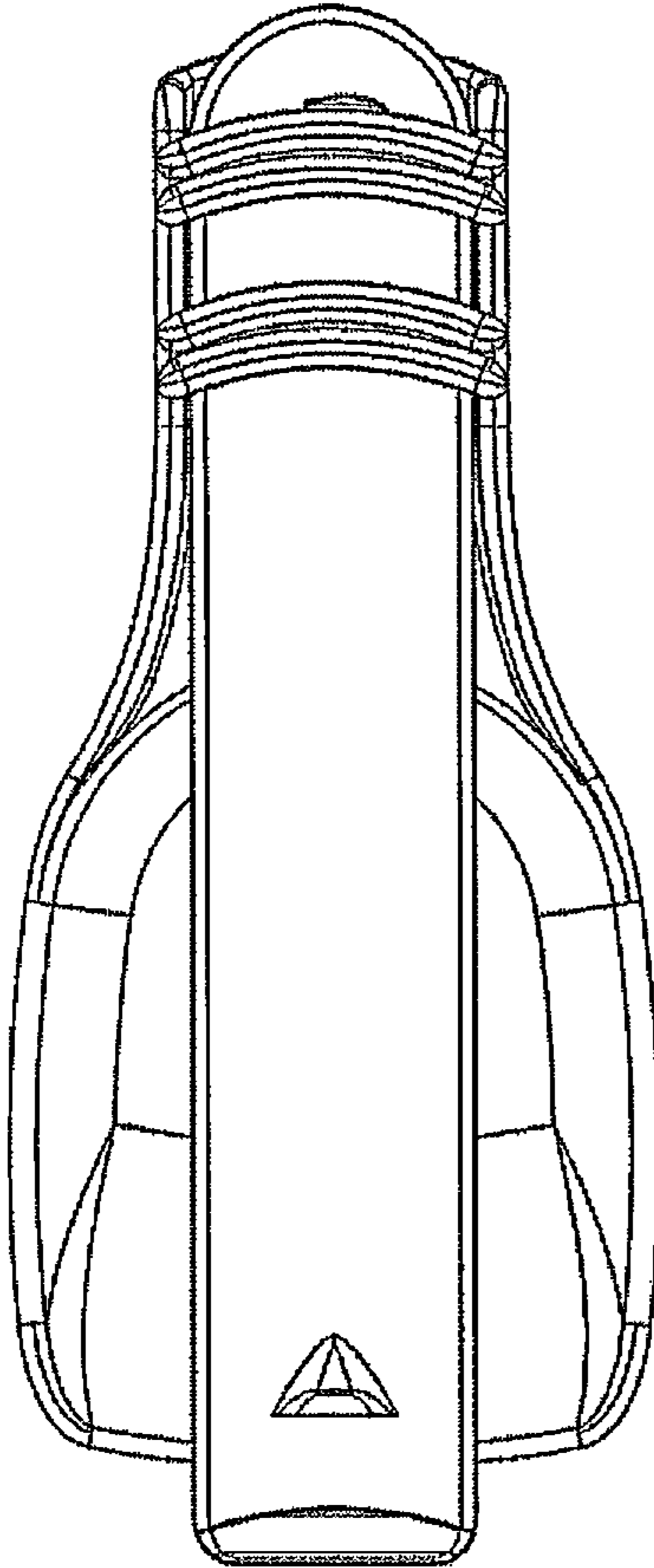


FIG. 7