



US00D732898S

(12) **United States Design Patent**  
**Katterheinrich et al.**

(10) **Patent No.:** **US D732,898 S**  
(45) **Date of Patent:** **\*\* Jun. 30, 2015**

(54) **SERVING TUB**

- (71) Applicant: **TARGET BRANDS, INC.**,  
Minneapolis, MN (US)
- (72) Inventors: **Kent D. Katterheinrich**, Shoreview,  
MN (US); **William Peterson**,  
Minneapolis, MN (US)
- (73) Assignee: **Target Brands, Inc.**, Minneapolis, MI  
(US)

(\*\*) Term: **14 Years**

(21) Appl. No.: **29/490,426**

(22) Filed: **May 9, 2014**

(51) **LOC (10) Cl.** ..... **07-01**

(52) **U.S. Cl.**  
USPC ..... **D7/603**

(58) **Field of Classification Search**  
USPC ..... D7/602–608, 619.1–625; 220/737, 739,  
220/592.01, 592.09, 915.1, 915.2;  
62/457.1–457.9, 371, 372; 215/12.1,  
215/12.2, 13.1  
CPC ..... F25D 3/08; F25D 31/007; F25D 233/803;  
A47G 19/2288

See application file for complete search history.

(56) **References Cited**

**U.S. PATENT DOCUMENTS**

3,977,552 A *	8/1976	Lombardo	.....	215/12.2
D407,606 S *	4/1999	Carrere	.....	D7/603
D407,608 S	4/1999	Carrere		
D488,354 S *	4/2004	Irvine	.....	D7/603
D488,355 S	4/2004	Irvine		
D530,156 S *	10/2006	Moore	.....	D7/603
D557,991 S	12/2007	Hong		
D608,155 S	1/2010	Jeffries		
D651,049 S	12/2011	Nakagawa		

**OTHER PUBLICATIONS**

“Gorham ‘That’s Entertainment’ Ice Bucket Chiller”, printed from www.overstock.com/Home-Garden/Gorham-Thats-Entertainment- . . . K=CSETheFind&mr:referralID=03332767-ce1e-11e2-a969-001b2166c2c0, publicly available at least as early as Jun. 5, 2013 (2 pages).

“Large Stainless Steel Beverage Tub—Insulated, Holds Drinks”, printed from www.ebay.com/itm/Large-Stainless-Steel-Beverage-Tub-Insulated-holds-drinks-/281116560113, publicly available at least as early as Jun. 5, 2013 (2 pages).

“Epsilon Champagne Cooler & Ice Bucket by Puiforcat”, printed from www.artedona.com/en/Bar-Wine/Champagne-coolers-ice-buckets/ . . . ampagne-cooler-ice-bucket.html?cur=3&source=froogle\_us&country=us, publicly available at least as early as Jun. 5, 2013 (2 pages).

(Continued)

*Primary Examiner* — Terry Wallace

(74) *Attorney, Agent, or Firm* — JoAnn M. Seaton; Griffiths & Seaton PLLC

(57) **CLAIM**

The ornamental design for a serving tub, as shown and described.

**DESCRIPTION**

FIG. 1 is a top, front perspective view of a serving tub showing our new design.

FIG. 2 is a front view thereof;

FIG. 3 is a rear view thereof;

FIG. 4 is a right side view thereof;

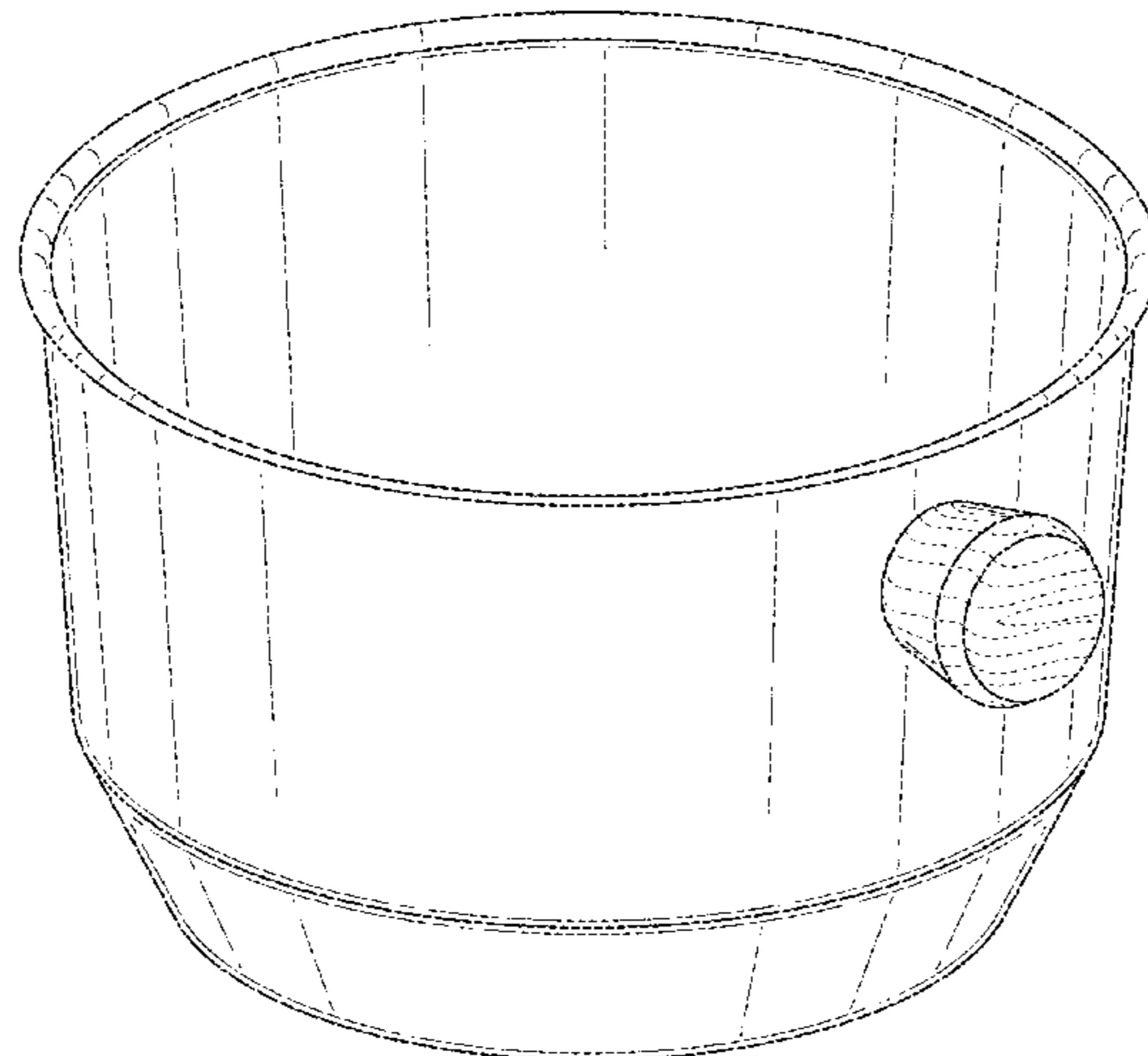
FIG. 5 is a left side view thereof;

FIG. 6 is a top view thereof; and,

FIG. 7 is a bottom view.

The broken lines indicate optional wood graining of the handles of the serving tub and form no part of the claimed design.

**1 Claim, 7 Drawing Sheets**



(56)

**References Cited**

## OTHER PUBLICATIONS

“Vollrath 47620 Stainless Steel Wine Bucket with Handles”, printed from [www.webstaurantstore.com/vollrath-47620-stainless-steel-w...e=Shopping.com&utm\\_medium=cpc&utm\\_campaign=Shopping.com+Campaign](http://www.webstaurantstore.com/vollrath-47620-stainless-steel-w...e=Shopping.com&utm_medium=cpc&utm_campaign=Shopping.com+Campaign), publicly available at least as early as Jun. 5, 2013 (3 pages).

“Wine Bucket 8 Quart 8-7/8" Diameter 9" High 18-8 Stainless Steel with Mirror Finish & Gold”, printed from [www.ablekitchen.com/supplies/TC-5189/Wine-Bucket-8-Quart-8-7-8-Diameter-9-High-18-8-Stainless-Steel-With-Mirror-Finish-Gold.html](http://www.ablekitchen.com/supplies/TC-5189/Wine-Bucket-8-Quart-8-7-8-Diameter-9-High-18-8-Stainless-Steel-With-Mirror-Finish-Gold.html), publicly available at least as early as Jun. 5, 2013 (2 pages).

“50's Vintage 'Penguin Hot/Cold Server' Extra Fine Condition West Bend Co.”, circa 1950, printed from [www.ebay.com/itm/50s-Vintage-Penguin-Hot-Cold-Server-Ex...8142994825976130068&pid=100005&prg=1088&rk=3&sd=190841444239&](http://www.ebay.com/itm/50s-Vintage-Penguin-Hot-Cold-Server-Ex...8142994825976130068&pid=100005&prg=1088&rk=3&sd=190841444239&), publicly available at least as early as May 19, 2013 (3 pages).

“Alessi Ettore Sottsass 245 oz. Wine Cooler”, printed from [www.allmodern.com/Alessi-Ettore-Sottsass-245-oz.-Wine-Cooler-5052-AAS2299.html](http://www.allmodern.com/Alessi-Ettore-Sottsass-245-oz.-Wine-Cooler-5052-AAS2299.html), publicly available at least as early as Feb. 25, 2011 (2 pages).

“Amerian Artisan 3-Quart Ice Bucket”, printed from [www.brookstone.com/american-artisan-3qt-ice-bucket?bkiid=Sub...s|SubCategoryWidget|818818p&catId=L3\\_IceBucket|L2\\_BarAccess|L1\\_Wine](http://www.brookstone.com/american-artisan-3qt-ice-bucket?bkiid=Sub...s|SubCategoryWidget|818818p&catId=L3_IceBucket|L2_BarAccess|L1_Wine), publicly available at least as early as Jun. 5, 2013 (3 pages).

“Vintage Stainless Ice Bucket—Wooden Finial and Handles—Danish Modern”, printed from [www.etsy.com/listing/118263235/vintage-stainless-ice-bucket...romoted&utm\\_campaign=vintage\\_](http://www.etsy.com/listing/118263235/vintage-stainless-ice-bucket...romoted&utm_campaign=vintage_)

[low&gclid=CPeDrJeyy7cCFfBaMgod9A8A4g](http://www.etsy.com/listing/118263235/vintage-stainless-ice-bucket...romoted&utm_campaign=vintage_low&gclid=CPeDrJeyy7cCFfBaMgod9A8A4g), circa 1970, webpage printed Jun. 5, 2013 (2 pages).

“Lenox Tuscan Classics Ice Bucket”, printed from [www.overstock.com/Home-Garden/Lenox-Tuscan-Classics-Ice-Bucket/5828512/product.html](http://www.overstock.com/Home-Garden/Lenox-Tuscan-Classics-Ice-Bucket/5828512/product.html), publicly available at least as early as Jun. 5, 2013 (2 pages).

“Mikko Ice Bucket with Tongs”, printed from [www.homebello.com/show\\_product/882138-110670/882138-110670#.Ua5iWDIp8WQ](http://www.homebello.com/show_product/882138-110670/882138-110670#.Ua5iWDIp8WQ), publicly available at least as early as Jun. 4, 2013 (2 pages).

“Speakeasy Party Bucket Collection”, printed from [www.potterybarn.com/products/speakeasy-party-bucket/?cm\\_src=AutoCSLPIP](http://www.potterybarn.com/products/speakeasy-party-bucket/?cm_src=AutoCSLPIP), publicly available at least as early as Oct. 28, 2013 (3 pages).

“Stainless Steel Ice Bucket Set”, printed [www.overstock.com/Home-Garden/Stainless-Steel-Ice-Bucket-Set/5301824/product.html](http://www.overstock.com/Home-Garden/Stainless-Steel-Ice-Bucket-Set/5301824/product.html), publicly available at least as early as Jun. 5, 2013 (3 pages).

“Vintage Faux Bois Ice Bucket”, printed from [www.etsy.com/listing/113464885/vintage-faux-bois-ice-buck...omoted&utm\\_campaign=vintage\\_low&gclid=CPWXxZ\\_gzbcCFbE-Mgod2C8ATQ](http://www.etsy.com/listing/113464885/vintage-faux-bois-ice-buck...omoted&utm_campaign=vintage_low&gclid=CPWXxZ_gzbcCFbE-Mgod2C8ATQ), publicly available at least as early as Jun. 5, 2013 (3 pages).

“Vintage Teak Wooden Ice Bucket Brass Handles”, printed from [www.etsy.com/listing/72918052/vintage-teak-wooden-ice-bucket-brass](http://www.etsy.com/listing/72918052/vintage-teak-wooden-ice-bucket-brass), publicly available at least as early as Jun. 5, 2013 (3 pages).

“West Bend Stainless Steel with Wood Accent Ice Bucket”, printed from [www.ebay.com/itm/ws/eBayISAPI.dll?ViewItem&item=160915588142&item=160915588142&Igeo=0&vectorid=229466](http://www.ebay.com/itm/ws/eBayISAPI.dll?ViewItem&item=160915588142&item=160915588142&Igeo=0&vectorid=229466), publicly available at least as early as Jun. 4, 2013 (3 pages).

Office Action from Canadian Patent Application No. 156,969, mailed Nov. 27, 2014 (2 pages).

\* cited by examiner

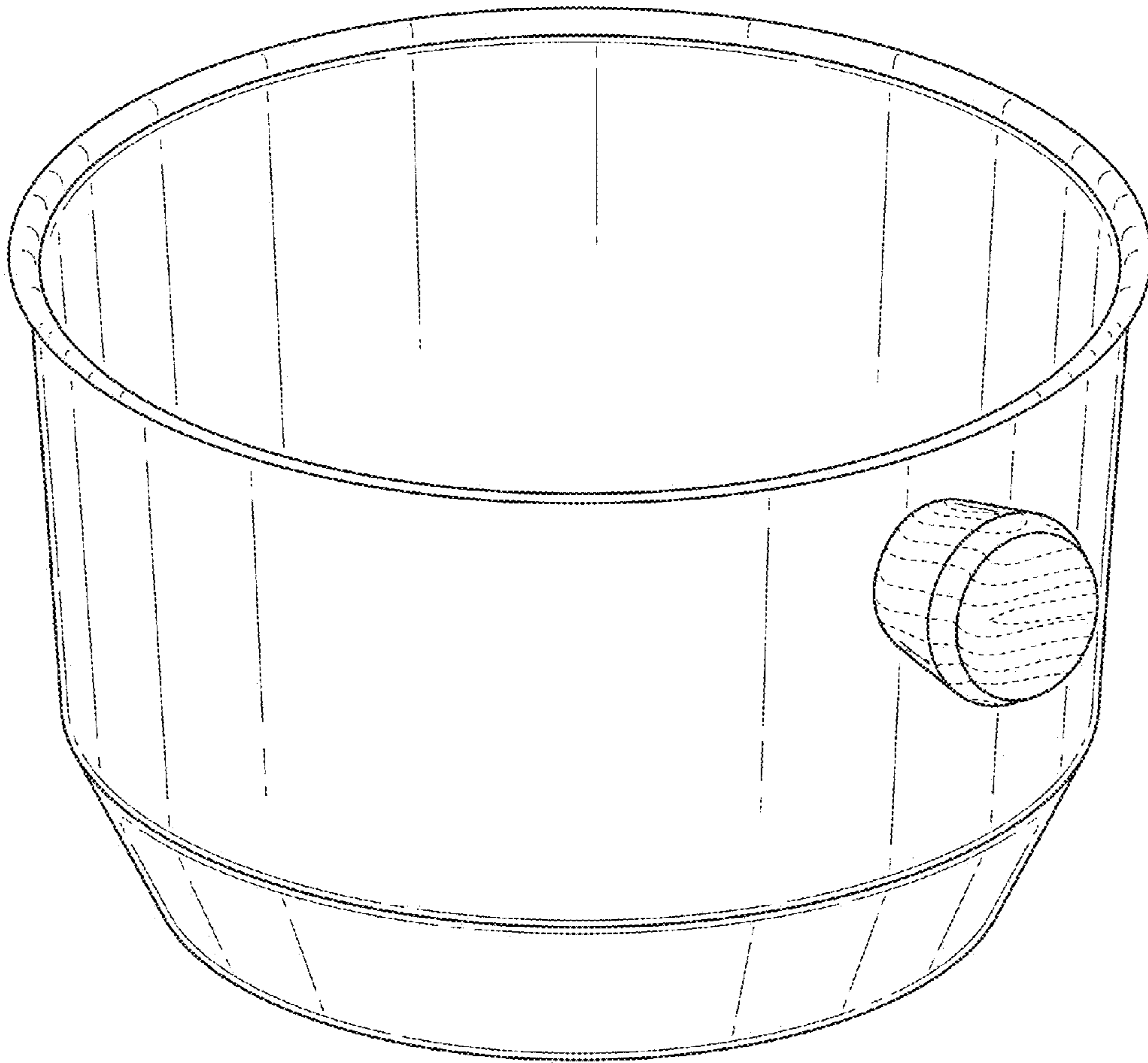


FIG. 1

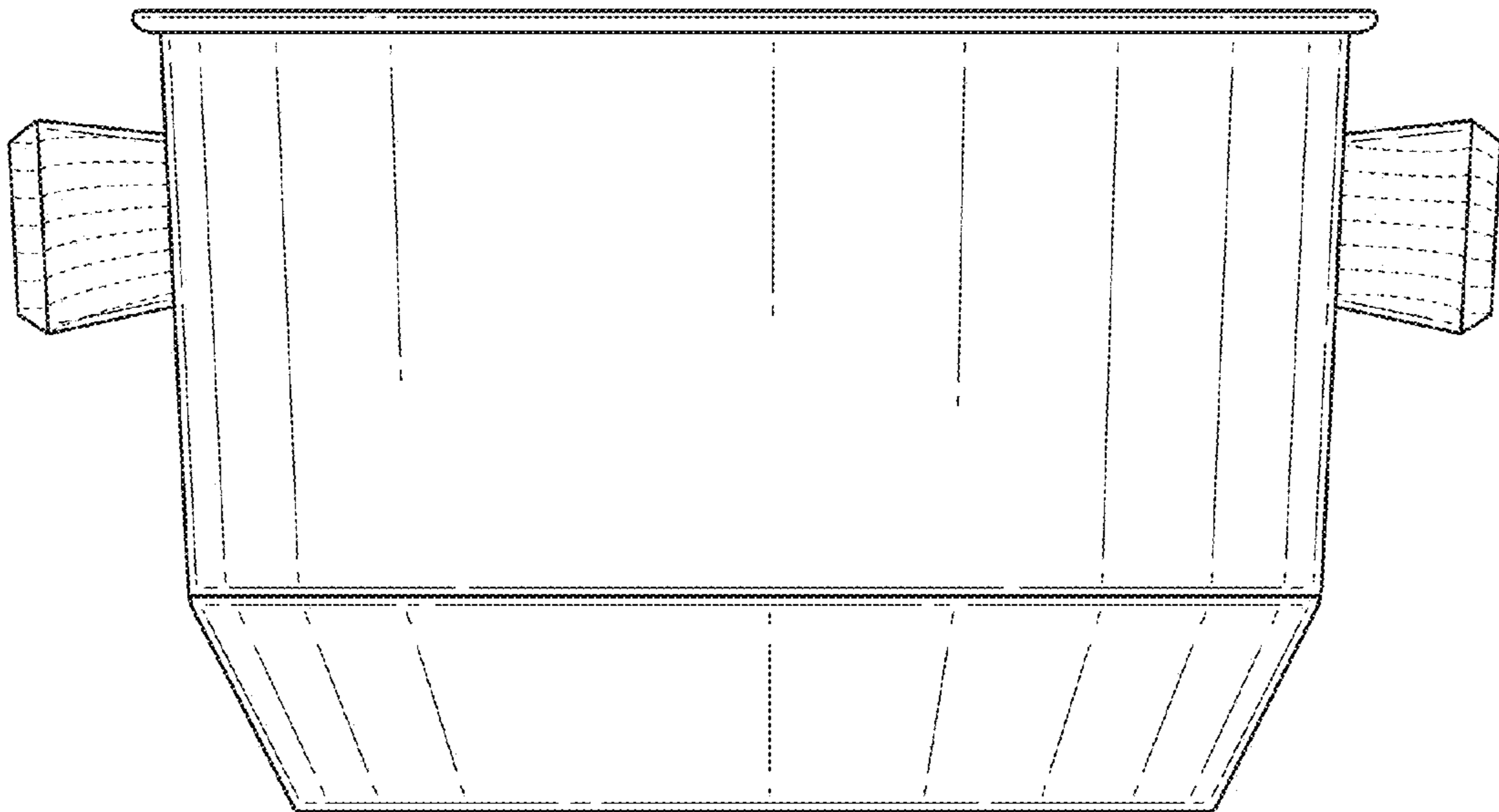


FIG. 2

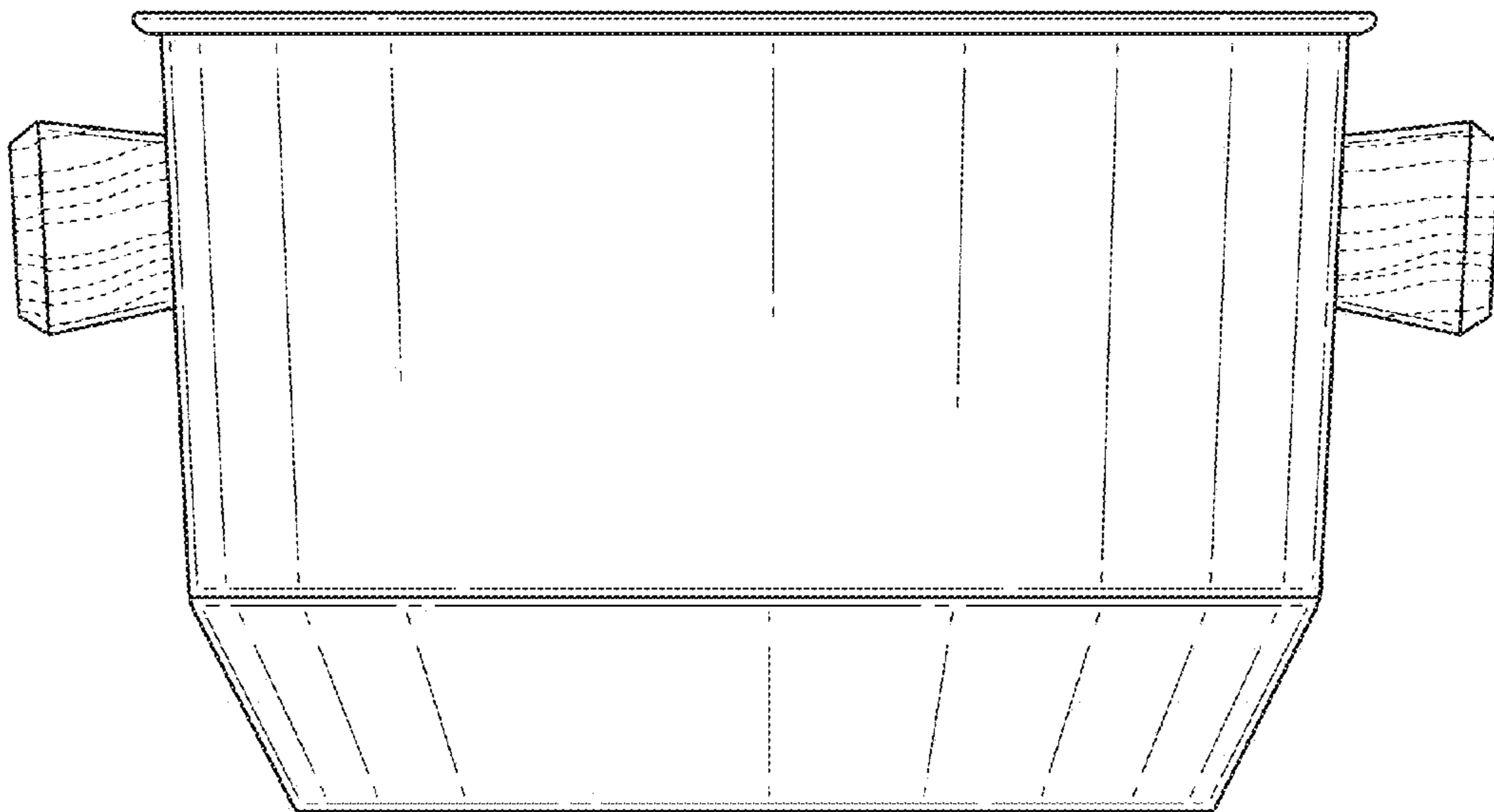


FIG. 3

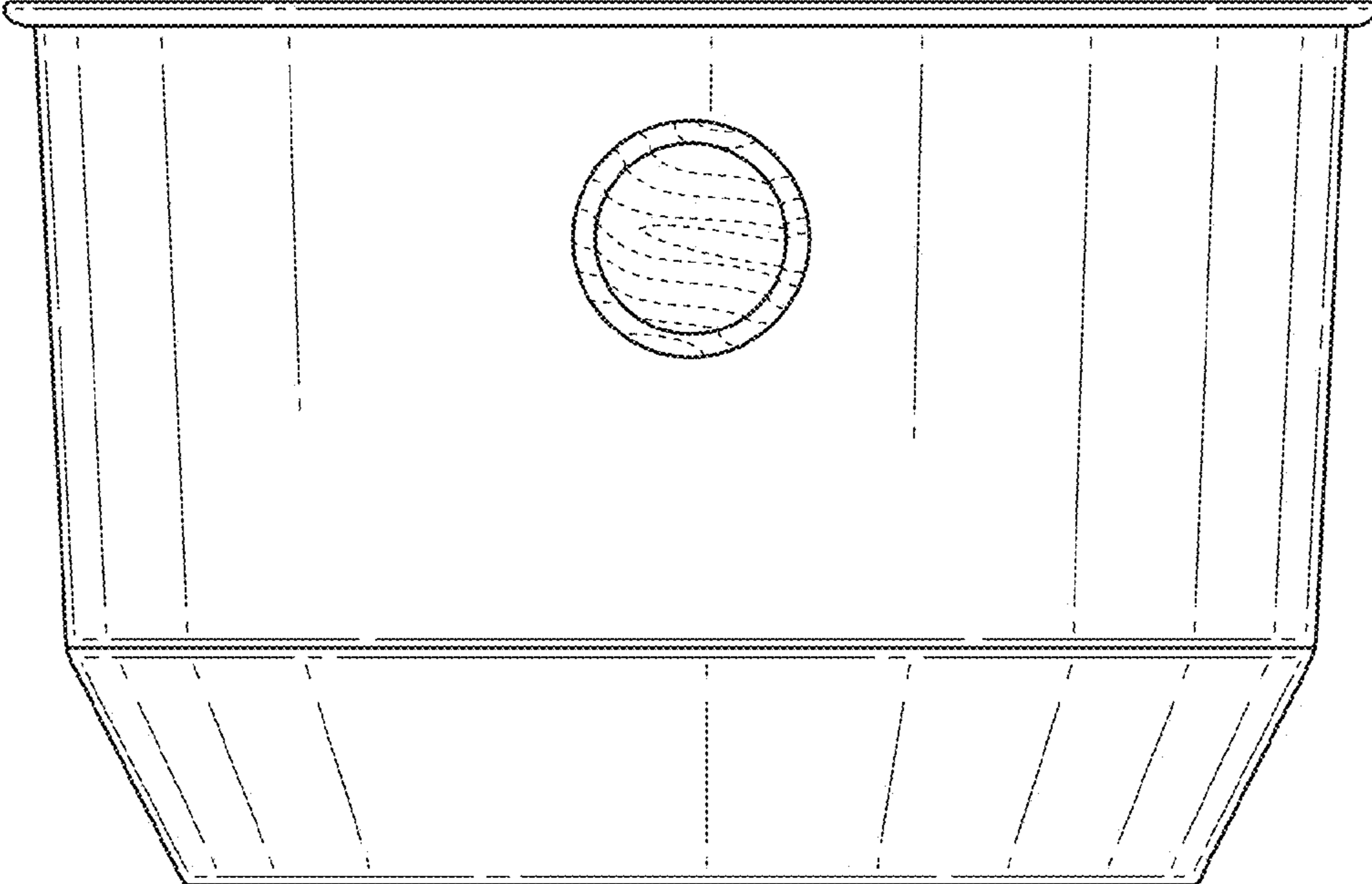


FIG. 4

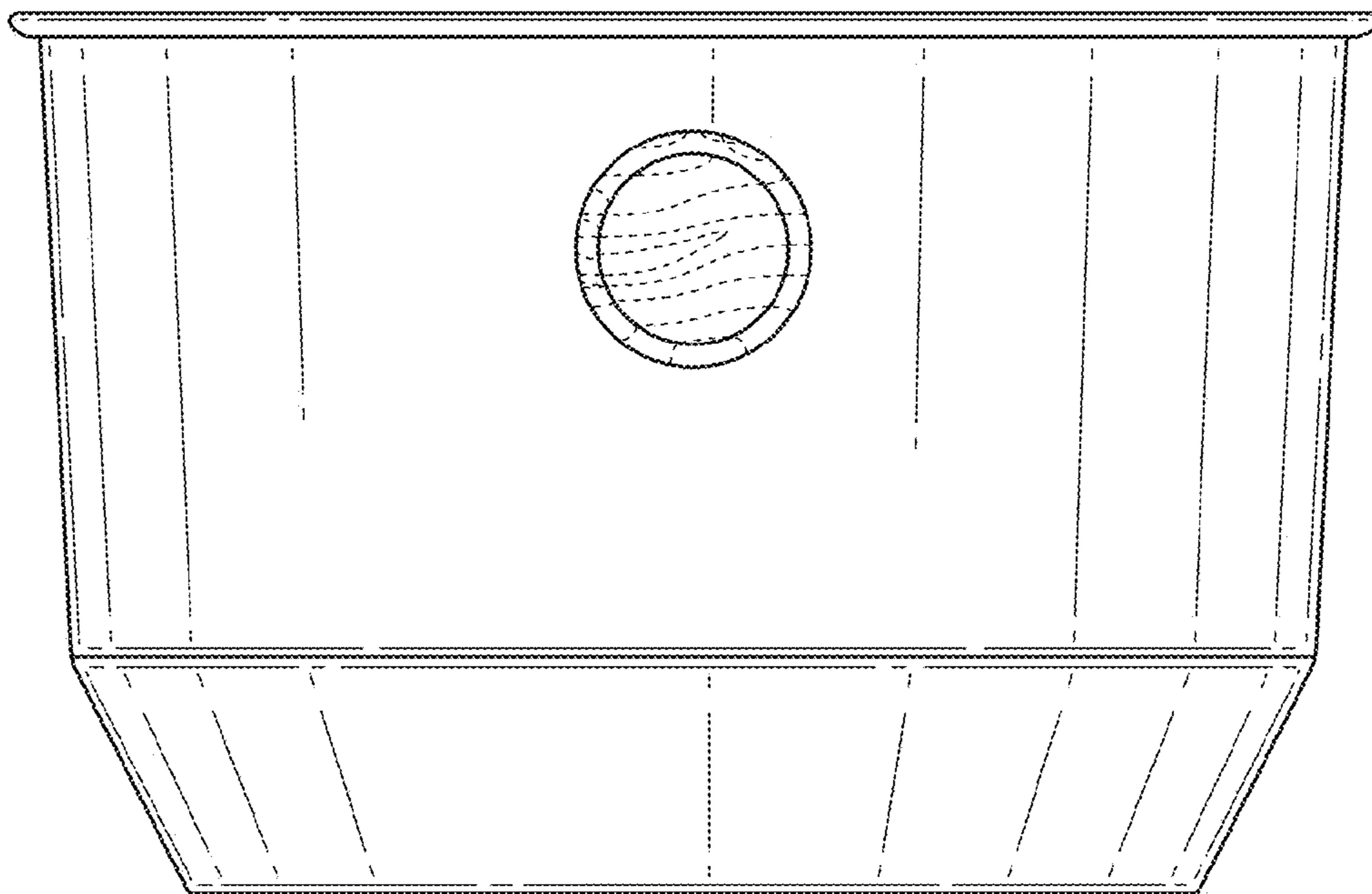


FIG. 5

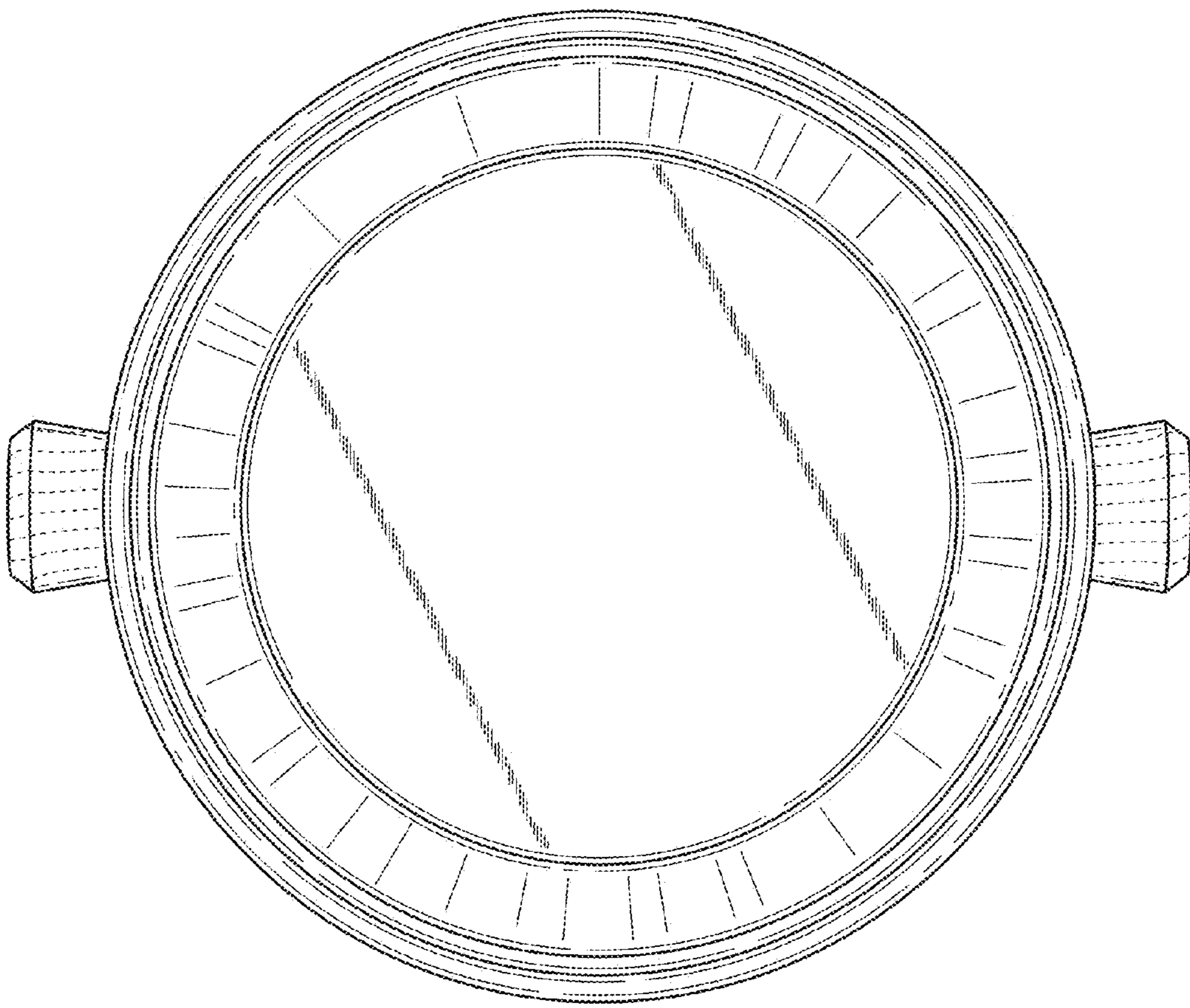


FIG. 6



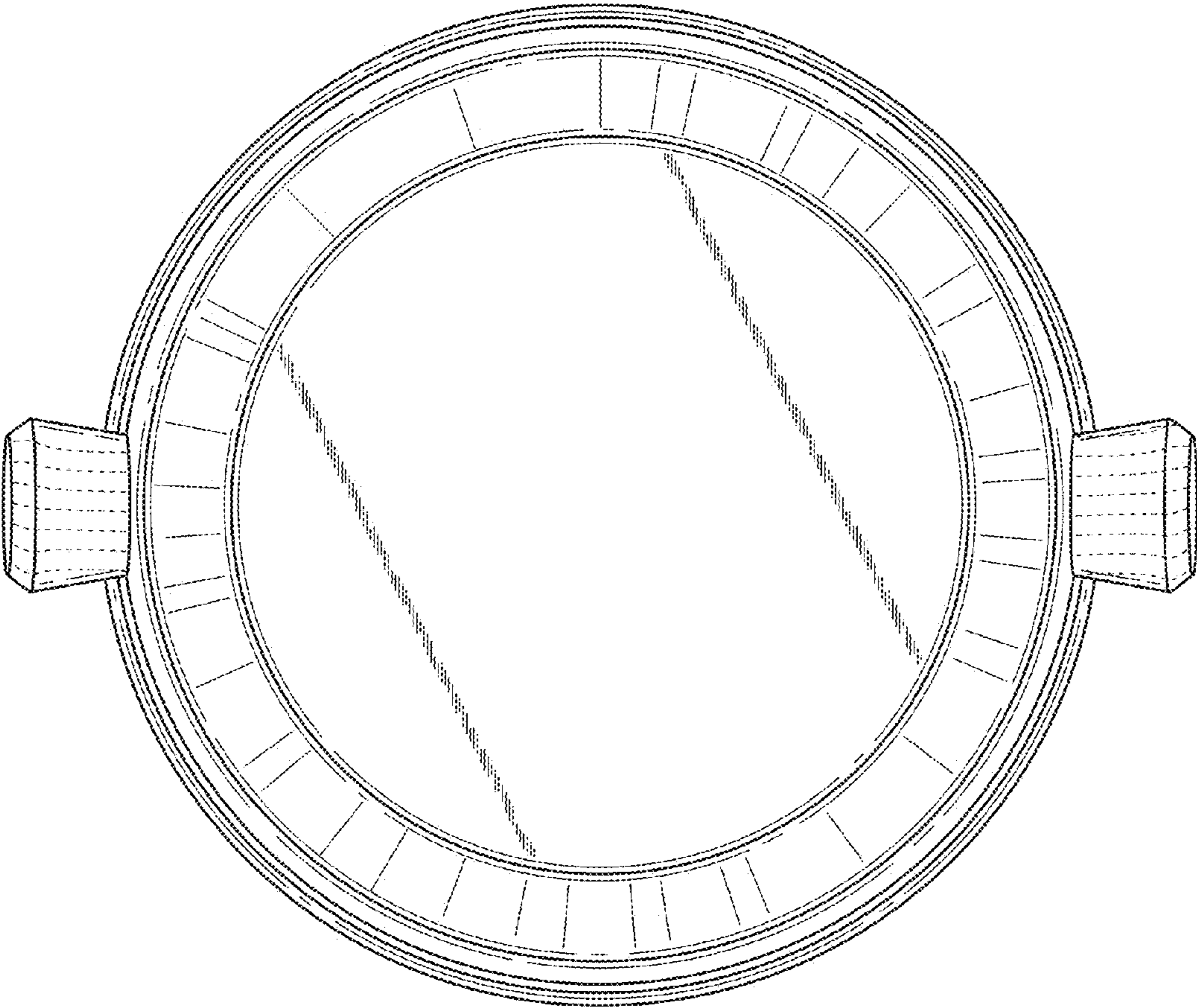


FIG. 7