



US00D732897S

(12) **United States Design Patent**
Clark et al.

(10) **Patent No.:** **US D732,897 S**
(45) **Date of Patent:** **** Jun. 30, 2015**

(54) **COMPARTMENTED DINNER SERVICE AND UTENSIL TRAY**

(71) Applicants: **John R. Clark**, Barryville, NY (US);
Vicki L. Clark, Barryville, NY (US)

(72) Inventors: **John R. Clark**, Barryville, NY (US);
Vicki L. Clark, Barryville, NY (US)

(**) Term: **14 Years**

(21) Appl. No.: **29/474,254**

(22) Filed: **Jul. 24, 2014**

(51) **LOC (10) Cl.** **07-01**

(52) **U.S. Cl.**
USPC **D7/553.2**

(58) **Field of Classification Search**
USPC D7/553.1, 553.2-554.1, 586-587,
D7/554.3; D9/424-425, 432; 220/23.83,
220/500, 507, 528-529, 212; 206/139, 223,
206/427, 557, 562-564, 541
CPC A47G 23/06; A47G 23/0608; A47G 23/0625
See application file for complete search history.

(56) **References Cited**

U.S. PATENT DOCUMENTS

- D276,116 S 10/1984 Basil
- D320,909 S * 10/1991 Szablak et al. D7/701
- D347,908 S 6/1994 Downard
- D369,469 S * 5/1996 Gregory D3/319
- D380,379 S * 7/1997 Lindblom et al. D9/761

- D382,200 S * 8/1997 Brondyke et al. D9/761
- D382,201 S * 8/1997 Brondyke et al. D9/761
- D428,767 S 8/2000 Turner, Jr.
- D456,247 S * 4/2002 Castellanos et al. D9/761
- D467,797 S * 12/2002 Sullivan D9/761
- D575,582 S 8/2008 Geens
- D606,774 S 12/2009 Kohli
- D608,150 S 1/2010 Lilly
- 8,328,034 B2 * 12/2012 Miros et al. 220/4.22
- D691,856 S * 10/2013 Dabney-Wiggs D7/553.2

* cited by examiner

Primary Examiner — Kelley Donnelly

(74) *Attorney, Agent, or Firm* — Sandra M. Kotin

(57) **CLAIM**

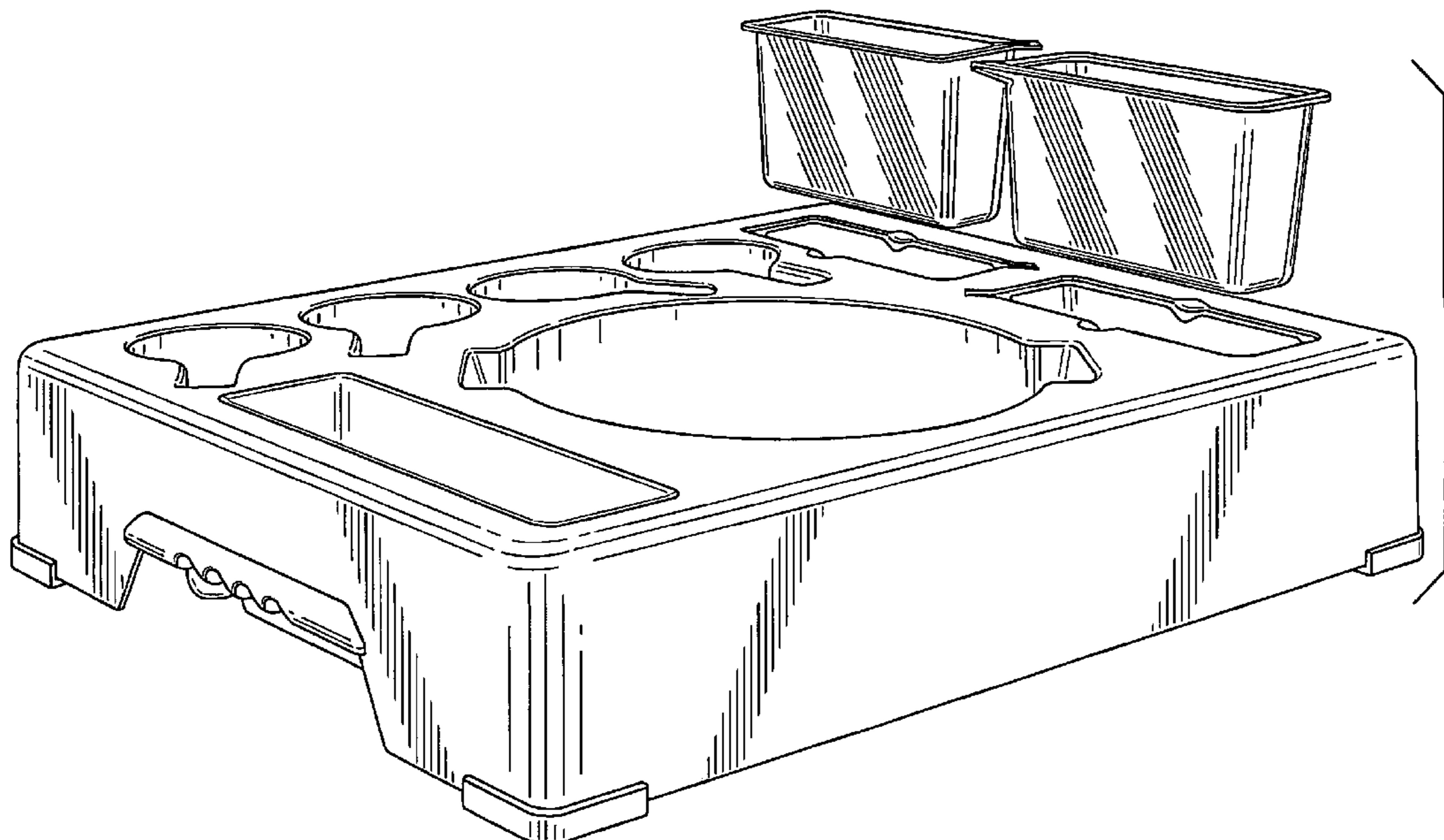
The ornamental design for a compartmented dinner service and utensil tray, as shown and described.

DESCRIPTION

FIG. 1 is a front prospective view of the compartmented dinner service and utensil tray showing our new design;
 FIG. 2 is a front prospective view thereof;
 FIG. 3 is a front elevational view thereof;
 FIG. 4 is a rear elevational view thereof;
 FIG. 5 is a top plan view thereof;
 FIG. 6 is a bottom plan view thereof;
 FIG. 7 is a right side elevational view thereof; and,
 FIG. 8 is a left side elevational view thereof.

The broken lines showing dinner service components seen in FIG. 2 are for illustrative purposes only and form no part of the claimed design.

1 Claim, 5 Drawing Sheets



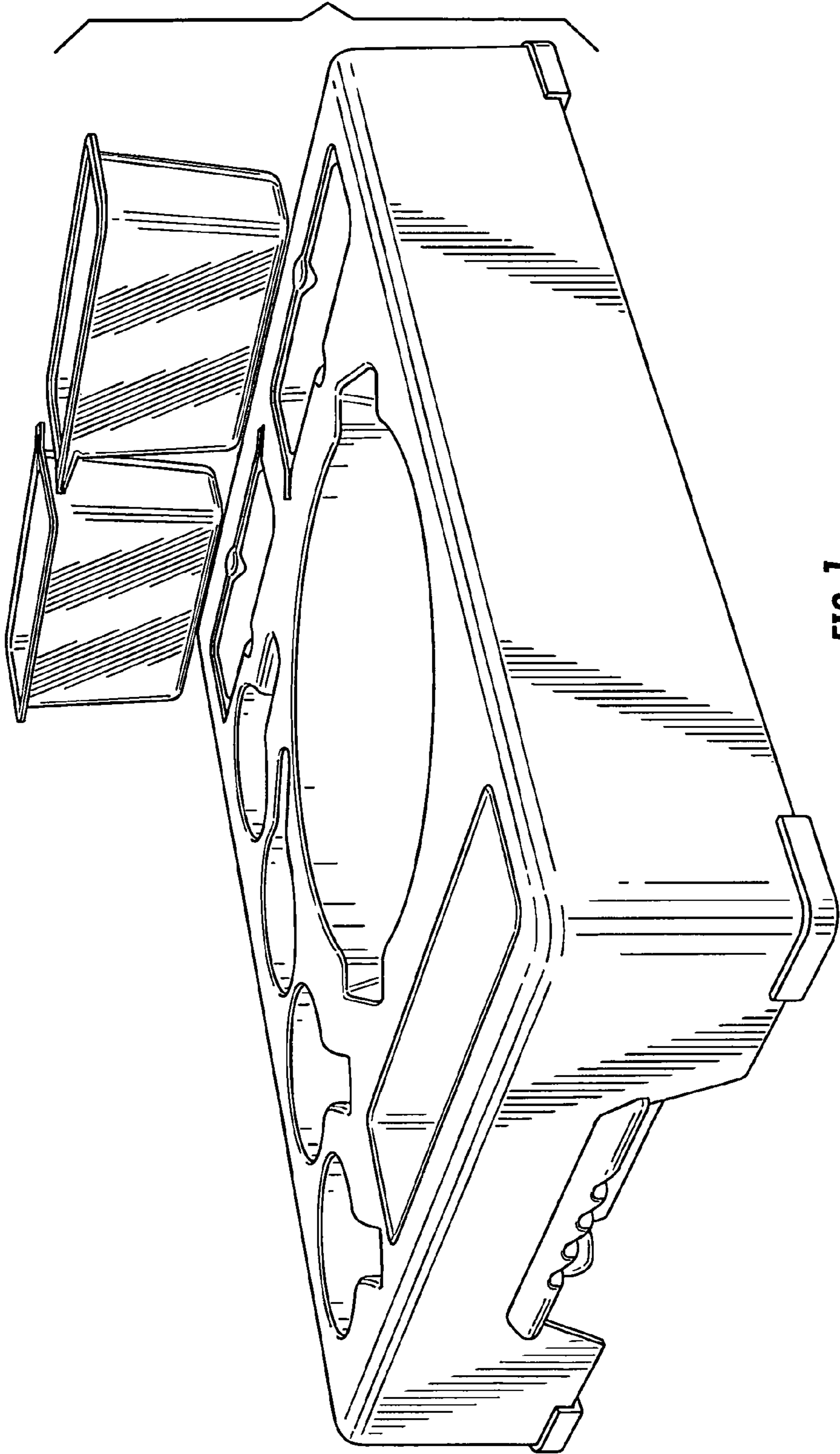


FIG. 1

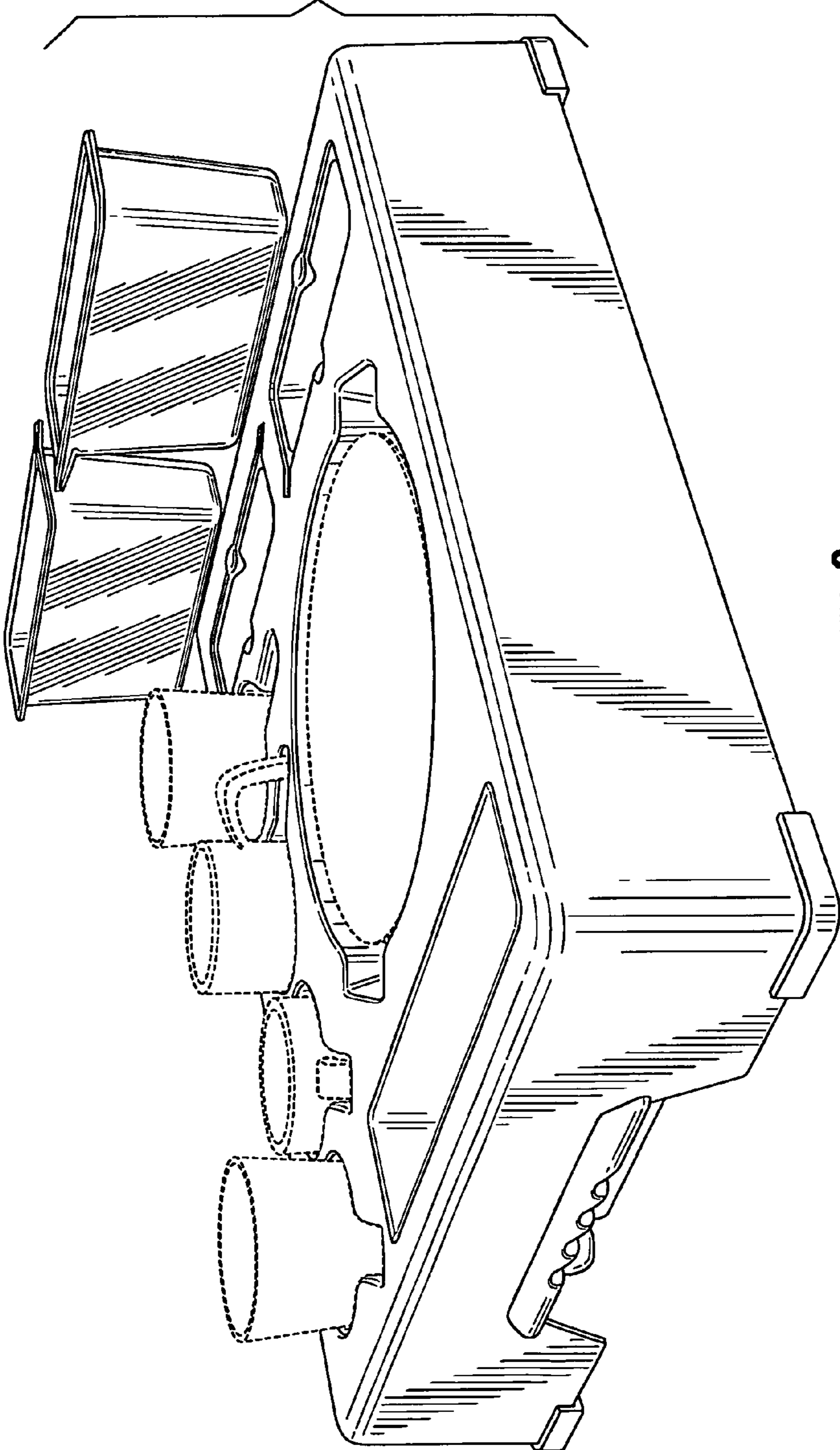


FIG. 2

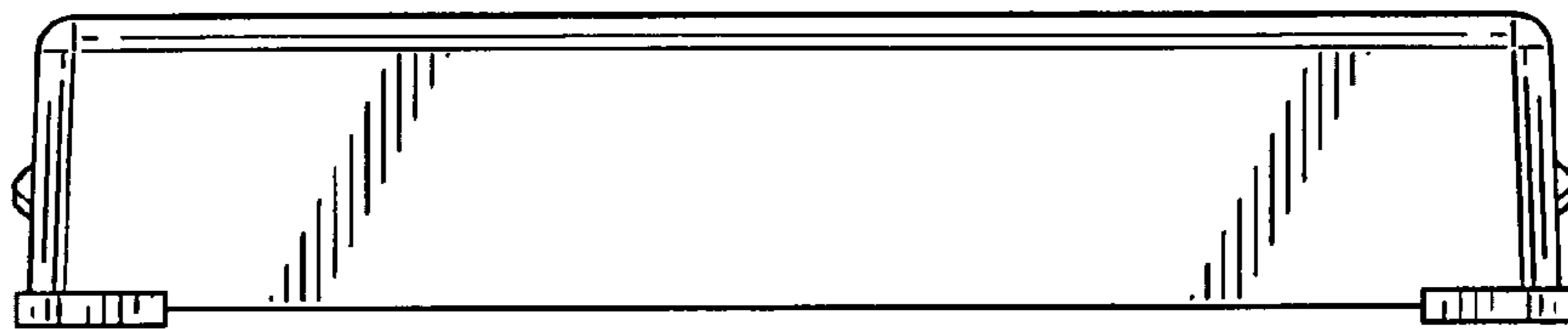


FIG. 3

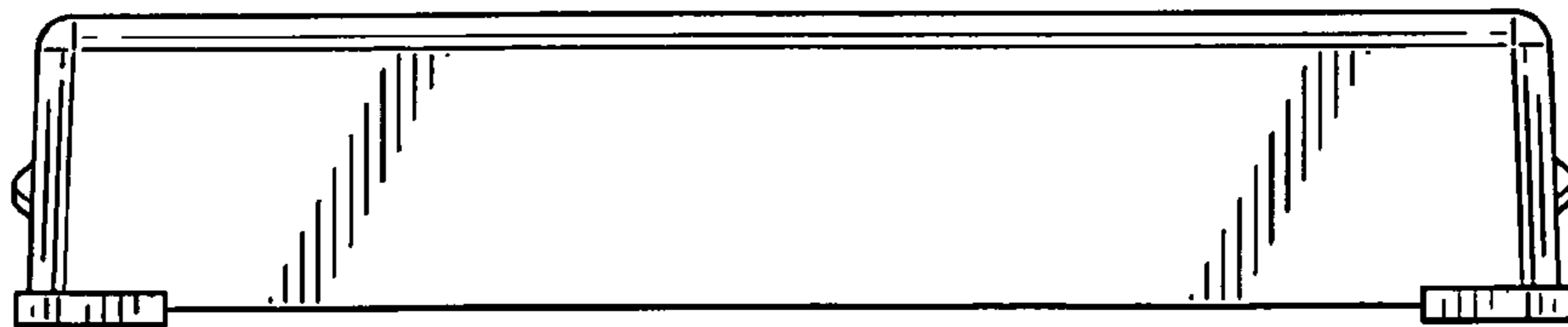


FIG. 4

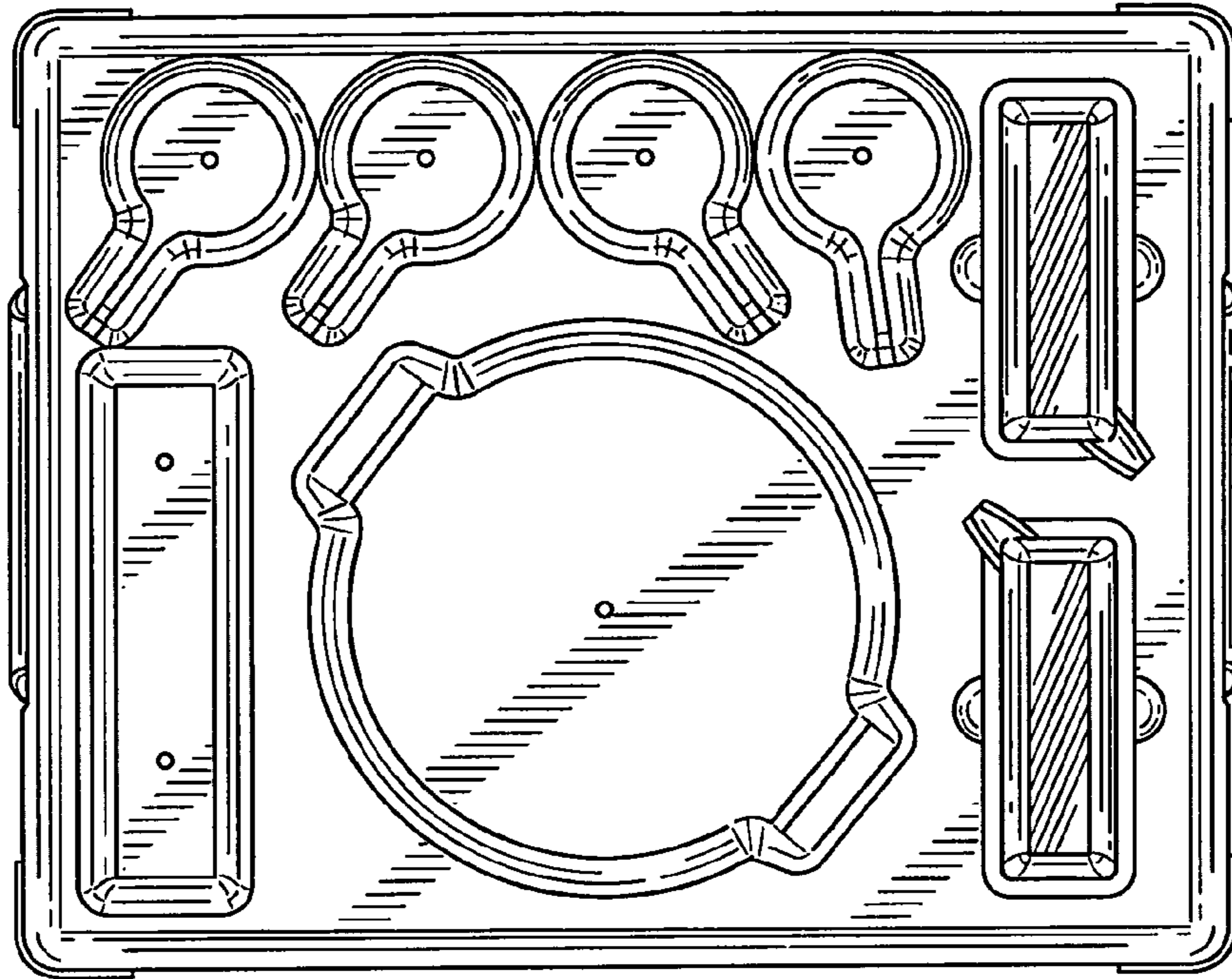


FIG. 5

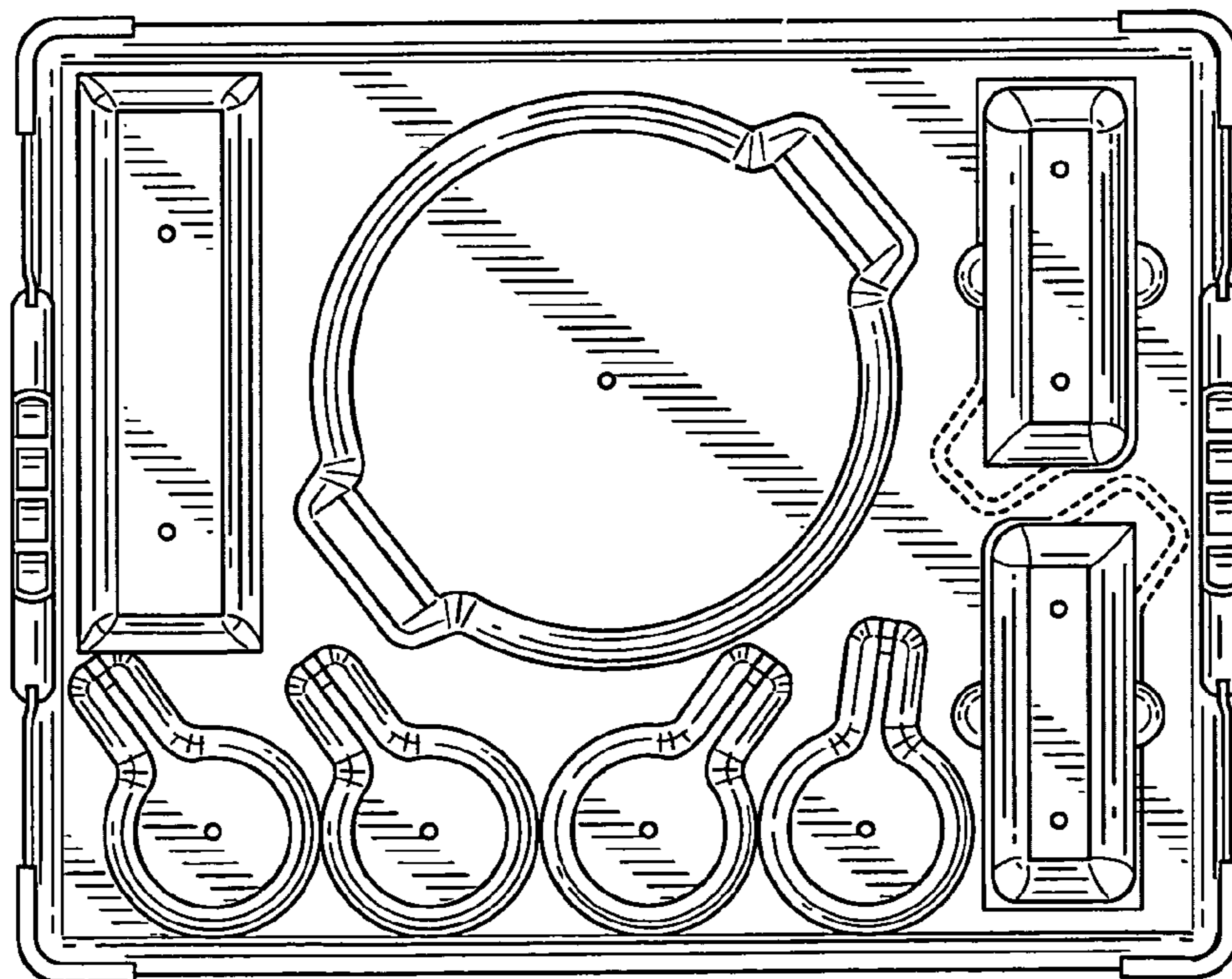


FIG. 6

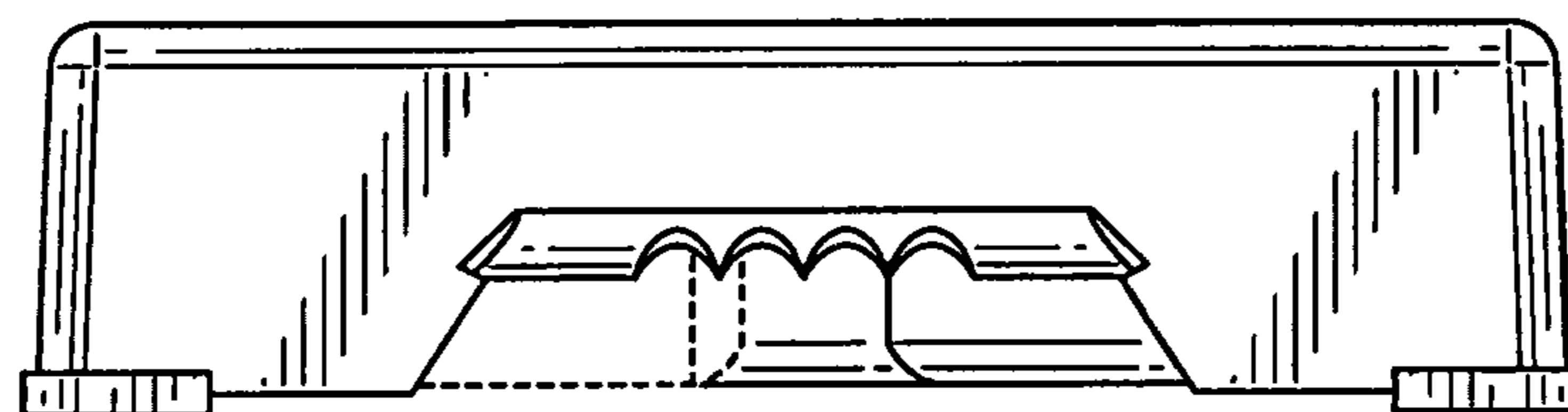


FIG. 7

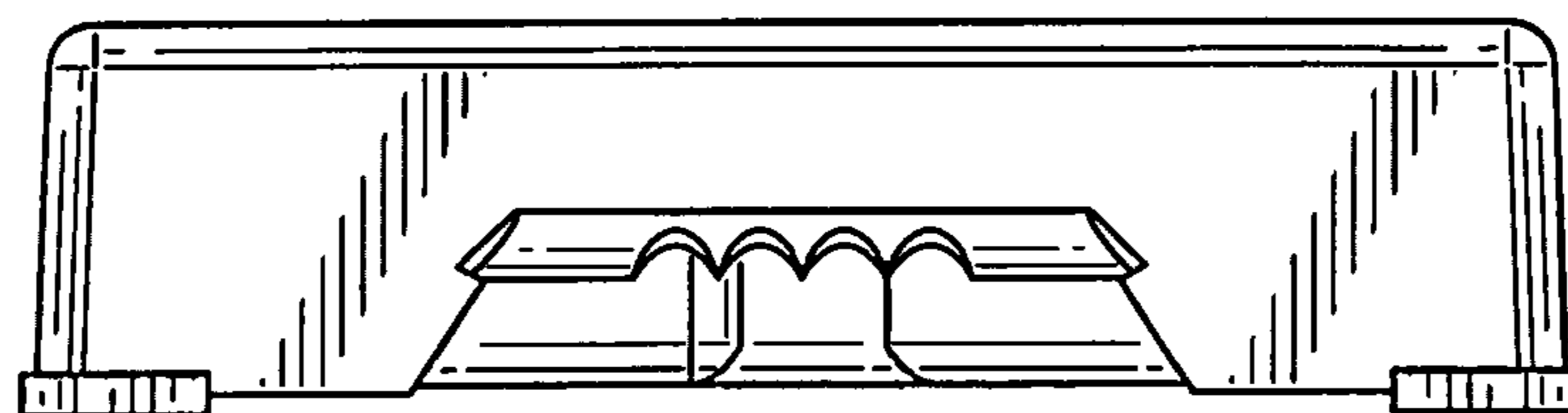


FIG. 8