

US00D732895S

(12) **United States Design Patent**
McClellan

(10) **Patent No.:** **US D732,895 S**

(45) **Date of Patent:** **** Jun. 30, 2015**

(54) **INSULATED TUMBLER**

(71) Applicant: **Ruth McClellan**, Pittsfield, PA (US)

(72) Inventor: **Ruth McClellan**, Pittsfield, PA (US)

(73) Assignee: **Whirley Industries, Inc.**, Warren, PA (US)

(**) Term: **14 Years**

(21) Appl. No.: **29/461,369**

(22) Filed: **Jul. 22, 2013**

(51) **LOC (10) Cl.** **07-01**

(52) **U.S. Cl.**
USPC **D7/529**; D7/532

(58) **Field of Classification Search**
USPC D7/532, 524, 533, 536, 525, 529, 624.2,
D7/607, 566, 558, 537; 215/374, 377;
220/703, 704, 592.16, 592.17

See application file for complete search history.

(56) **References Cited**

U.S. PATENT DOCUMENTS

D77,281 S *	12/1928	Bartlett	D7/529
D104,342 S *	5/1937	Duncan et al.	D7/529
D157,491 S *	2/1950	Heintze	D7/531
D209,308 S *	11/1967	Schilling	D7/523
D289,484 S *	4/1987	Forquer et al.	D7/532
D407,270 S *	3/1999	Wilson	D7/529
D434,273 S *	11/2000	Johansen et al.	D7/396.6
D505,592 S *	5/2005	Liu	D7/532
D523,693 S *	6/2006	Bodum	D7/523
D528,365 S *	9/2006	Hsu	D7/529
D553,440 S *	10/2007	Bodum	D7/523
D554,941 S *	11/2007	Mansfield	D7/396.2
D556,513 S *	12/2007	Yelland	D7/532
D575,111 S *	8/2008	Karam	D7/532
D577,260 S *	9/2008	Bodum	D7/523
D581,739 S *	12/2008	Bodum	D7/523

D614,448 S *	4/2010	Cahen	D7/532
D622,548 S *	8/2010	Jensen et al.	D7/523
D631,294 S *	1/2011	Ross	D7/523
D637,041 S *	5/2011	Haskell	D7/510

(Continued)

OTHER PUBLICATIONS

Dollar Tree Everything's \$1, Plastic Double-Wall Tumblers, 16oz. at DollarTree.com, <http://www.dollartree.com/Plastic-Double-Wall-Tumblers-16-oz-/p337075/index.pro>.

(Continued)

Primary Examiner — Marianne Pandozzi

(74) *Attorney, Agent, or Firm* — Buchanan Ingersoll & Rooney PC

(57) **CLAIM**

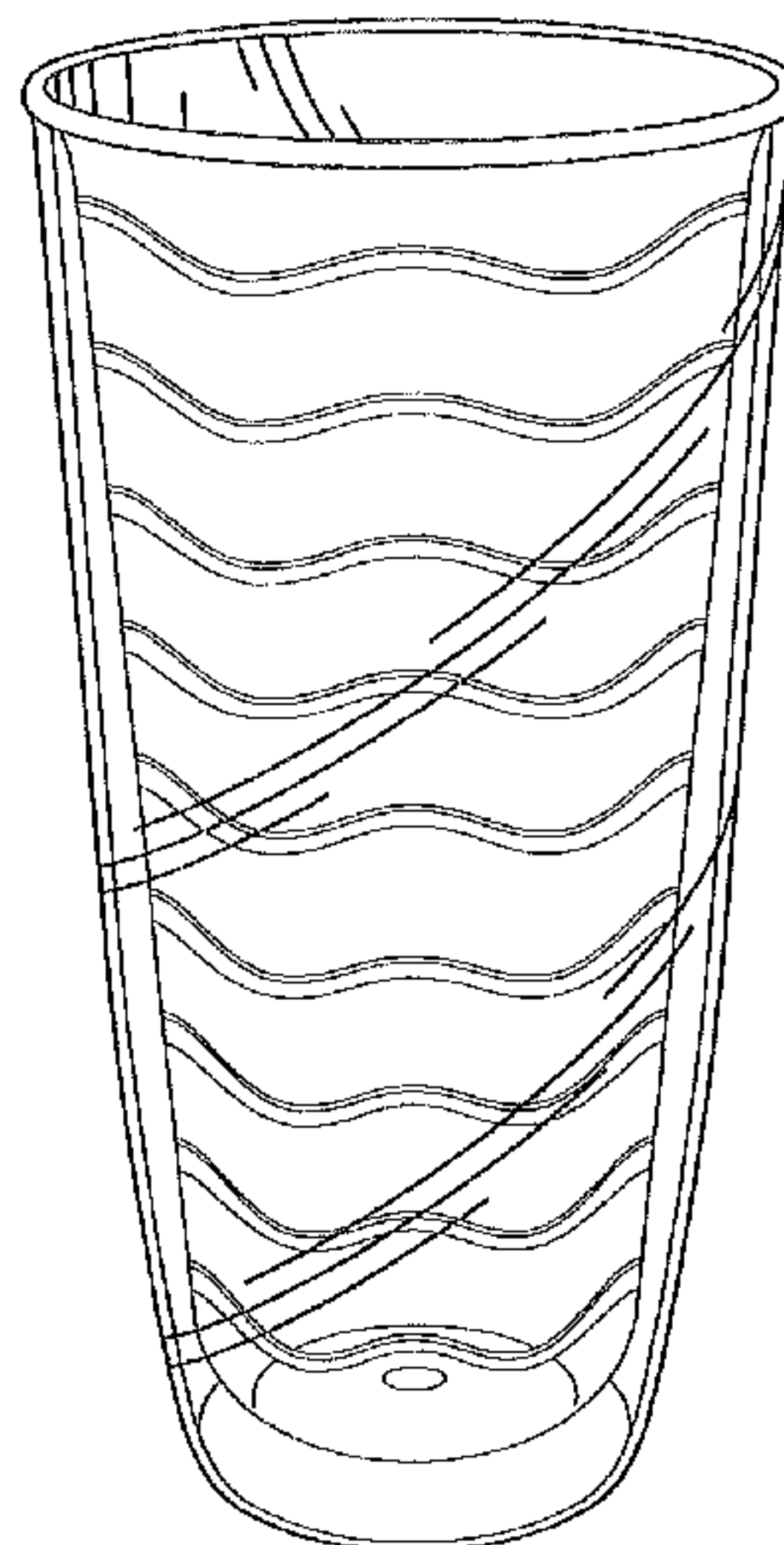
The ornamental design for an insulated tumbler, as shown and described.

DESCRIPTION

FIG. 1 is a side perspective view of an insulated tumbler showing my new design;
FIG. 2 is a side view thereof;
FIG. 3 is a top plan view thereof;
FIG. 4 is a bottom plan view thereof;
FIG. 5 is an environmental side view thereof;
FIG. 6 is a side perspective view of an insulated tumbler showing a second embodiment of my new design;
FIG. 7 is a side view thereof;
FIG. 8 is a top view thereof;
FIG. 9 is a bottom view thereof;
FIG. 10 is an environmental side view thereof; and,
FIG. 11 is a detail view of the top right corner of the embodiment shown in FIG. 2.

The broken lines in FIG. 5 and FIG. 10 are included for purposes of illustration and form no part of the claimed design.

1 Claim, 5 Drawing Sheets



(56)

References Cited

U.S. PATENT DOCUMENTS

D649,396 S * 11/2011 Wilkens et al. D7/396.2
D651,452 S * 1/2012 Hillebrenner et al. D7/396.2
8,225,952 B2 * 7/2012 Chen 220/62.12
D669,310 S * 10/2012 Barreto et al. D7/510
D698,200 S * 1/2014 Lauwagie D7/523
2005/0045643 A1 * 3/2005 Ghanem 220/592.17

OTHER PUBLICATIONS

Tervis Designs, Tervis Insulated Tumblers, Clear & Colorful, 16 oz.,
Tervis Insulated Tumblers—Mugs—Water Bottles—Gifts at tervis.
com, <http://www.tervis.com/designs/Form-Collection-16-Clear-Colorful-Clear-Clear-Tumblers/1>

* cited by examiner

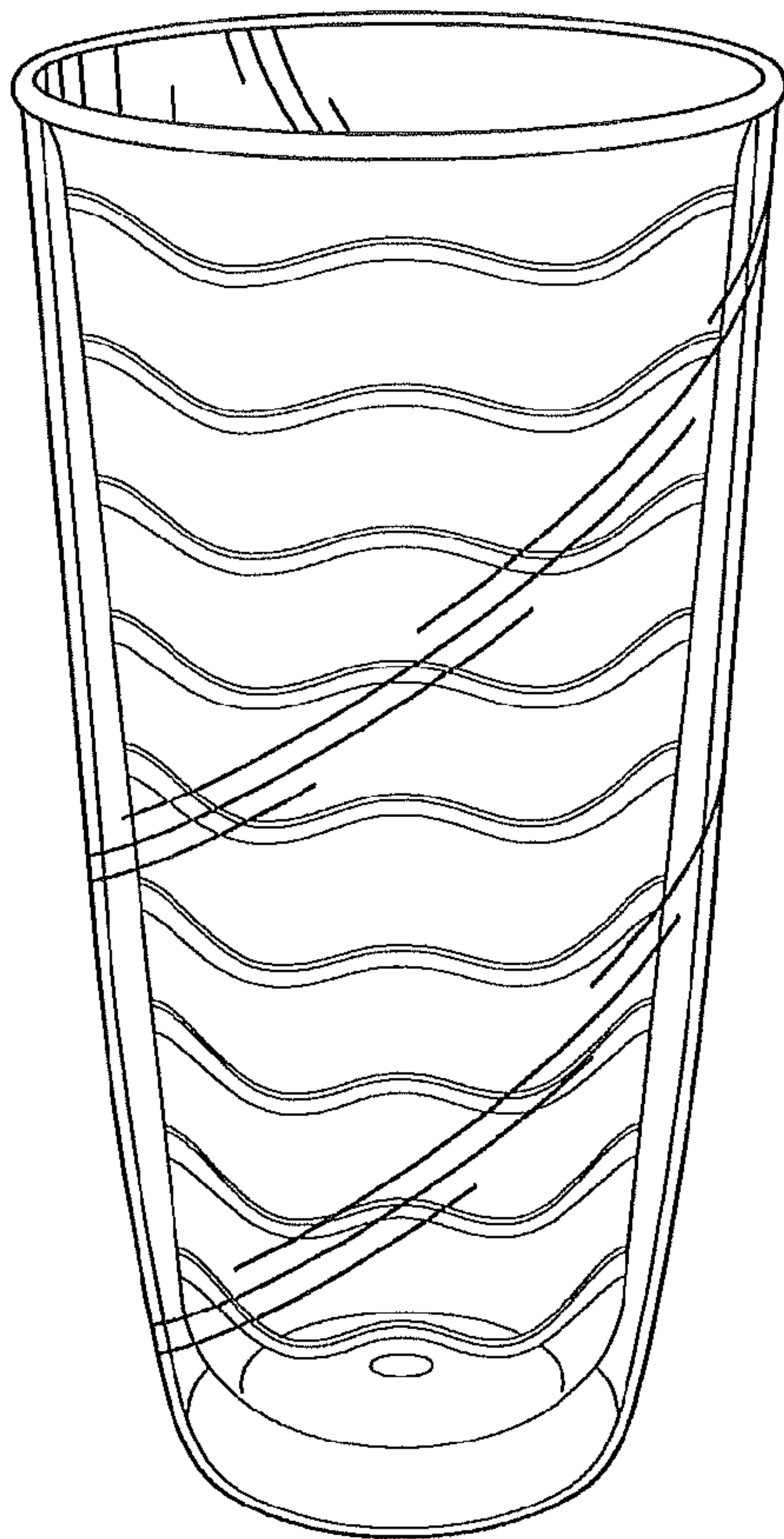


FIG. 1

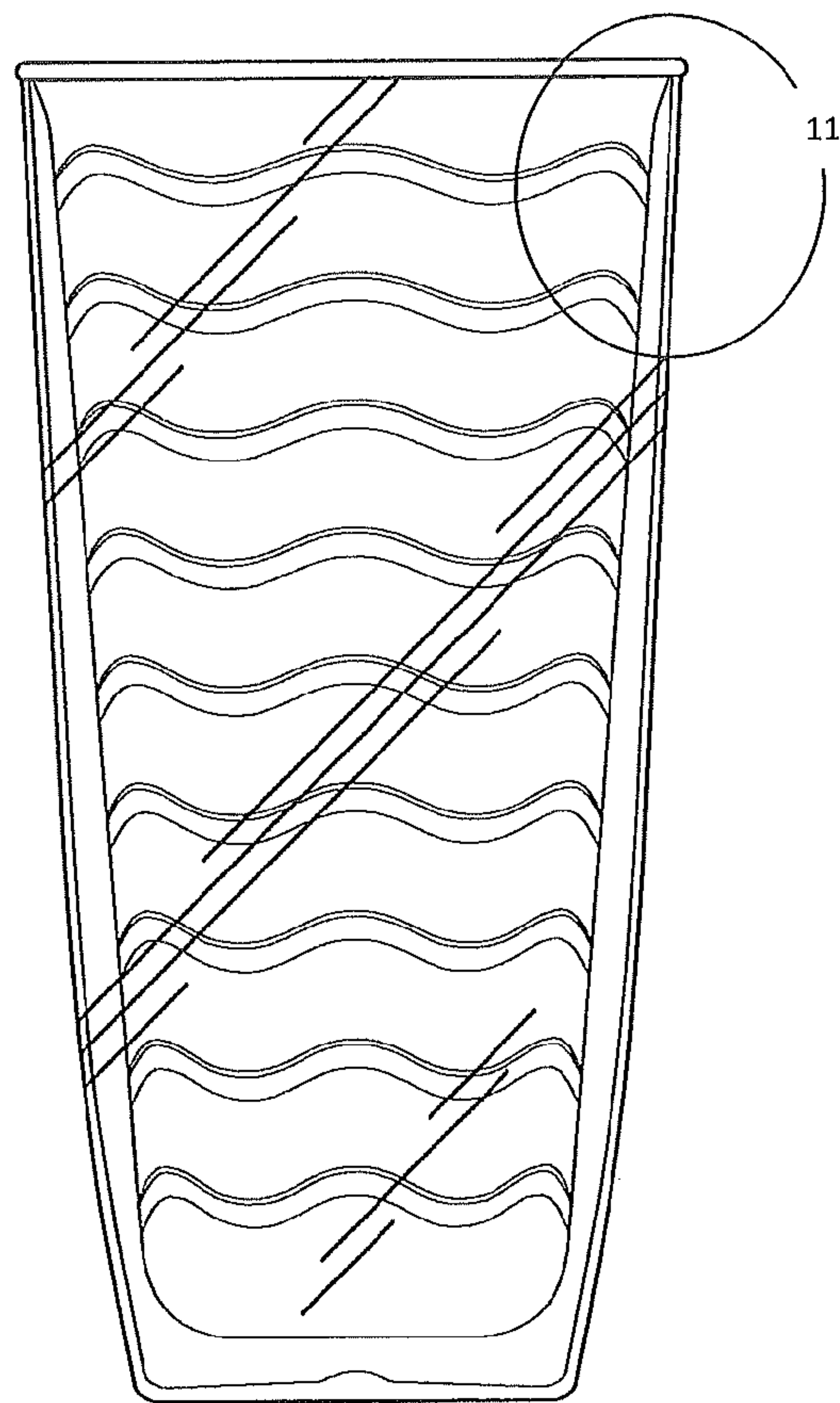


FIG. 2

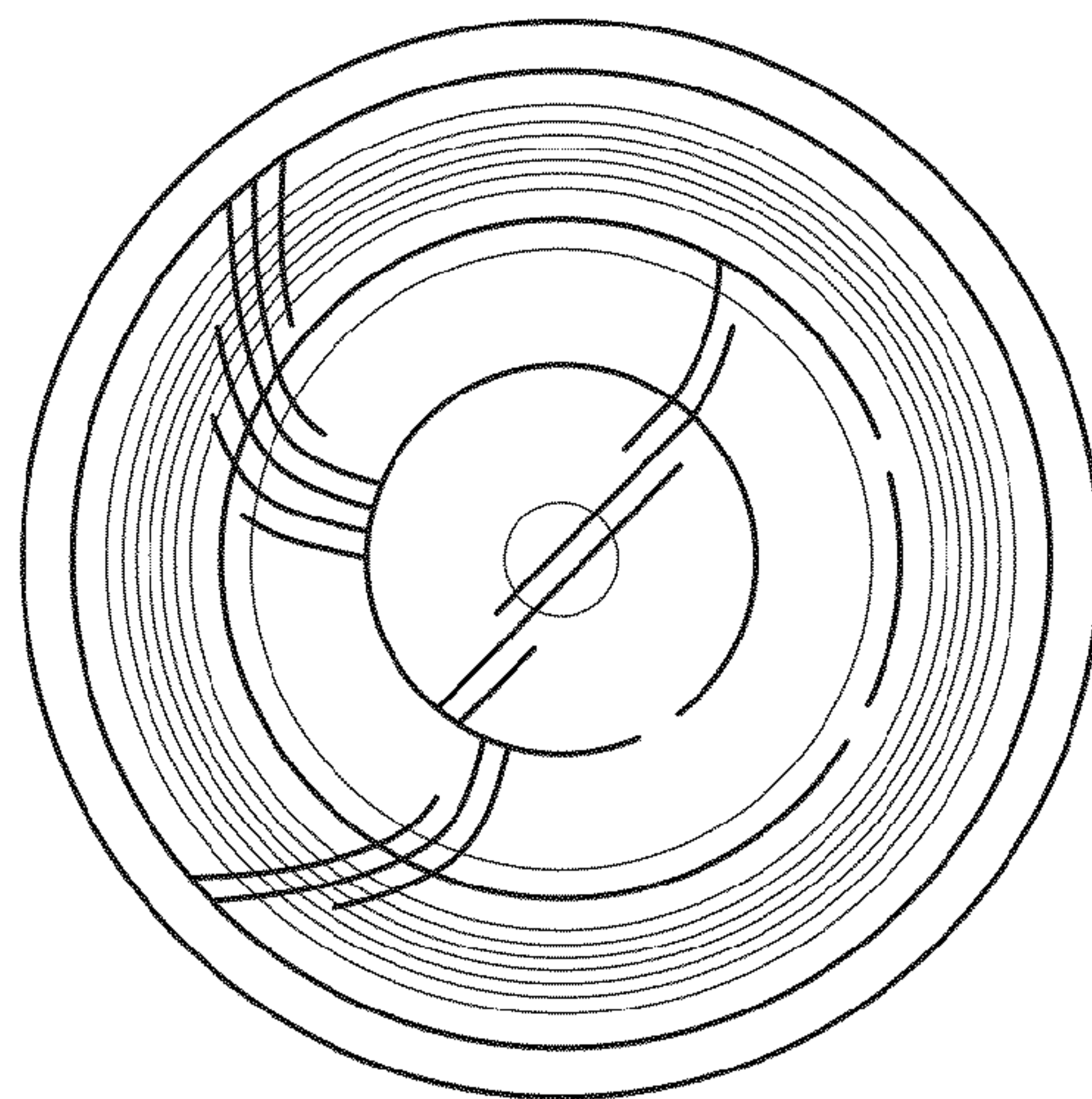


FIG. 3

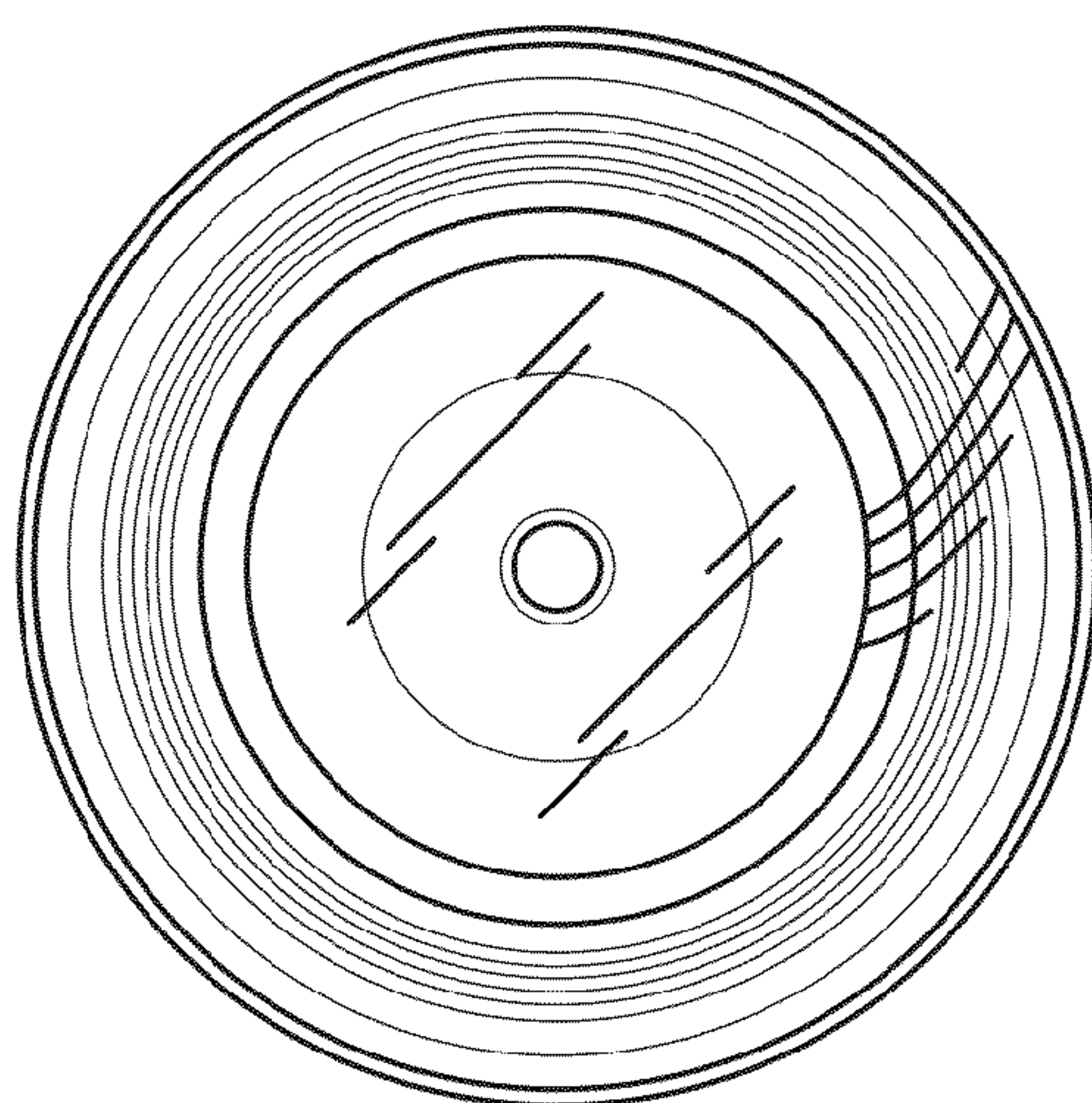


FIG. 4

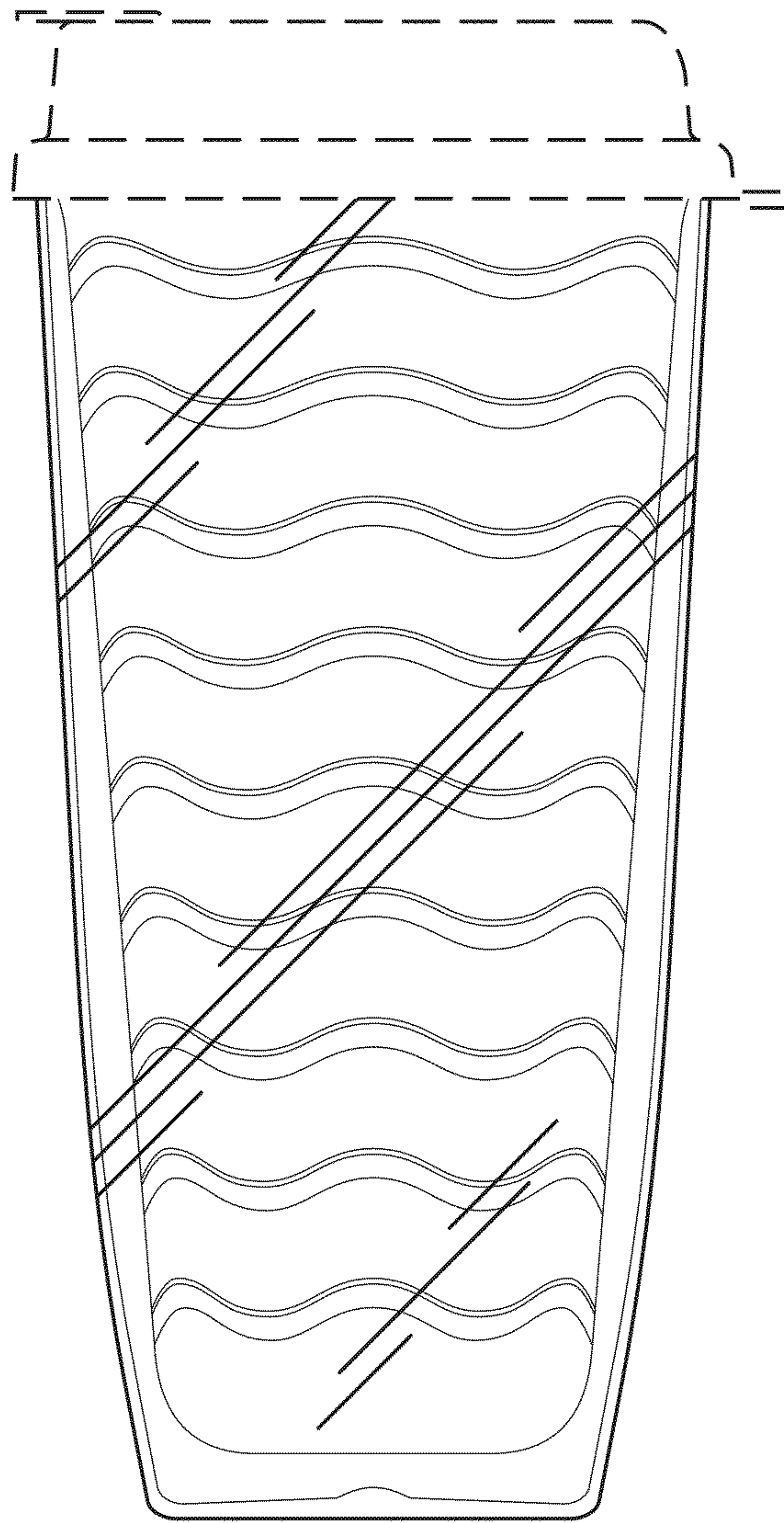


FIG. 5

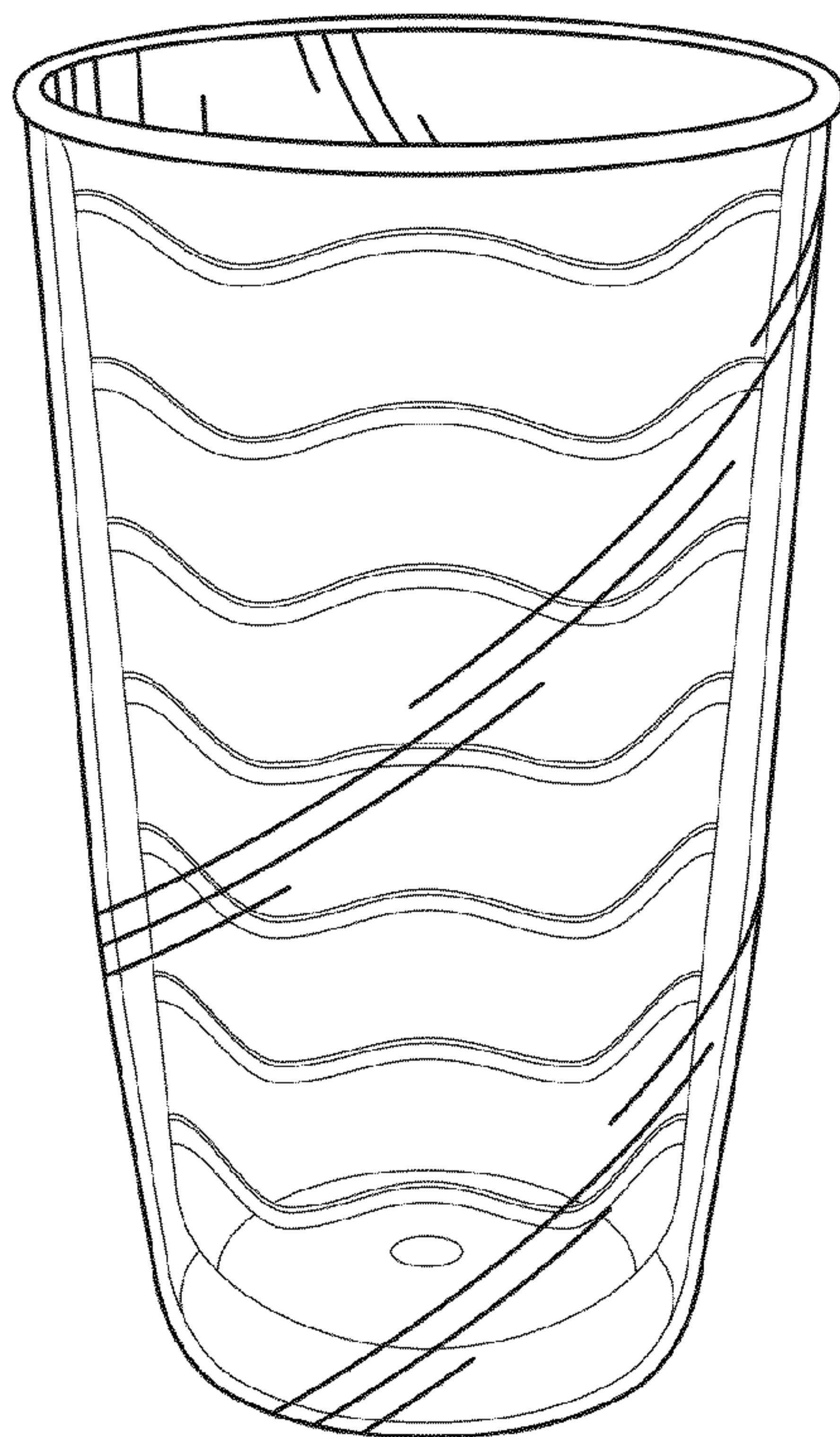


FIG. 6

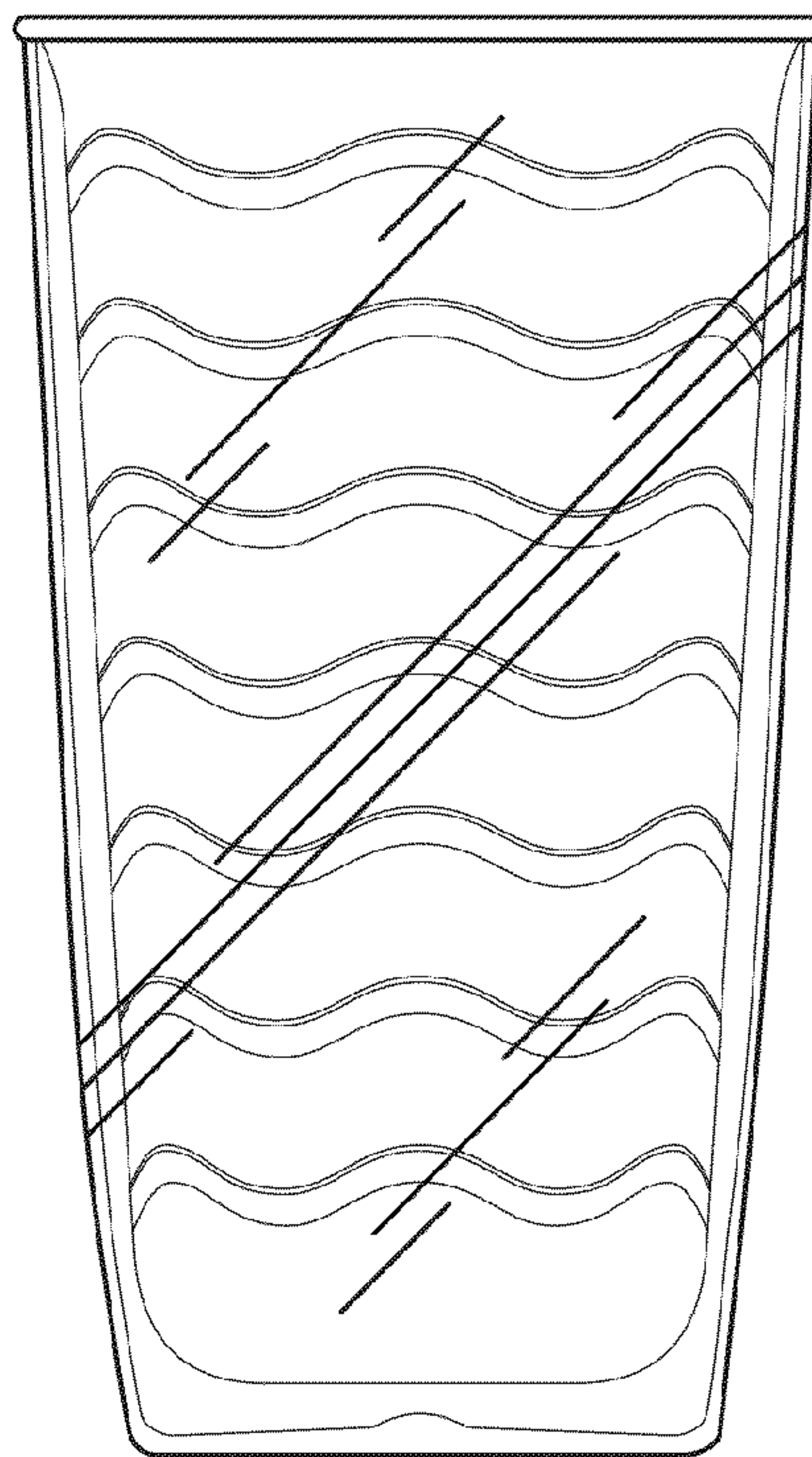


FIG. 7

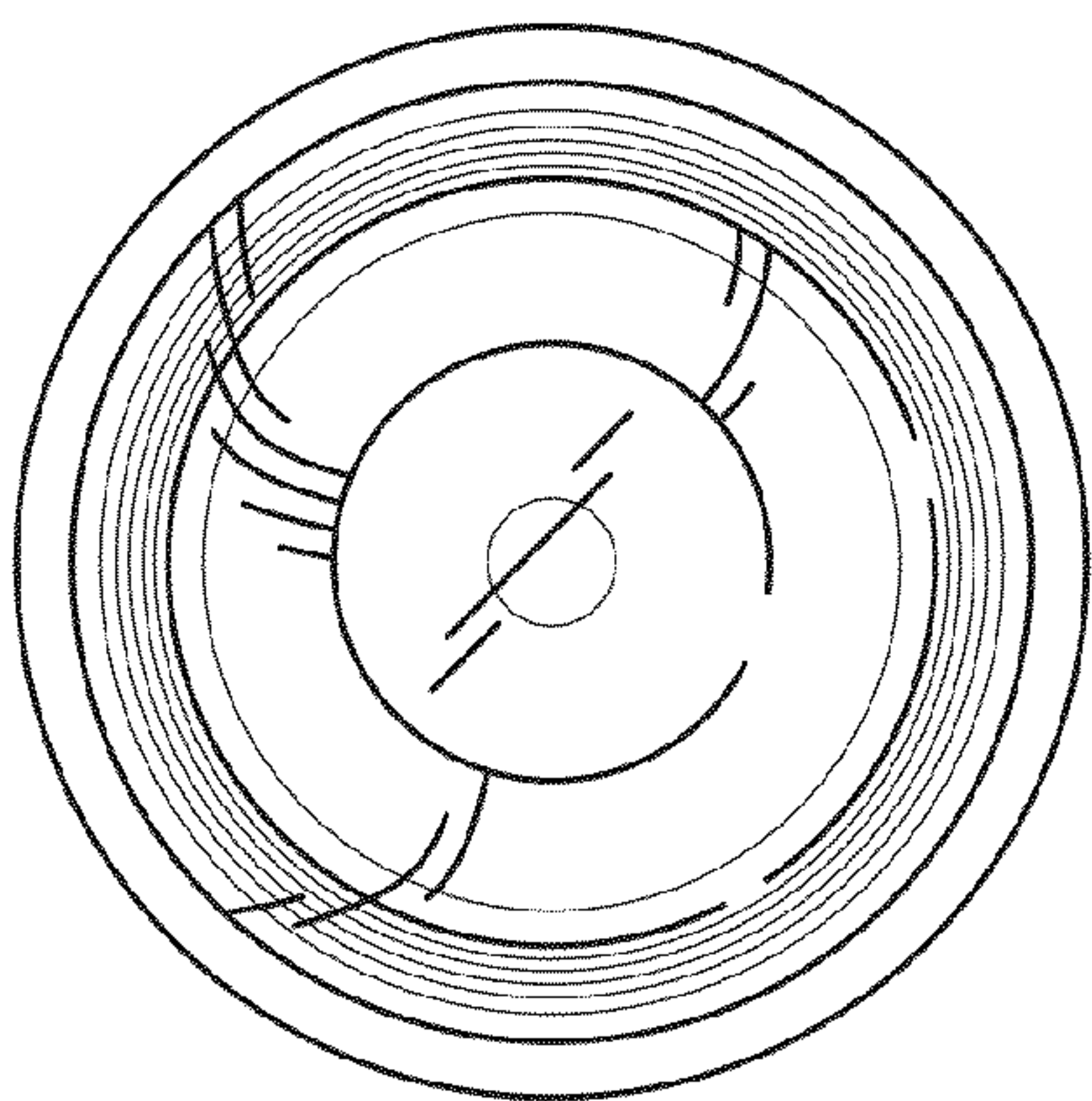


FIG. 8

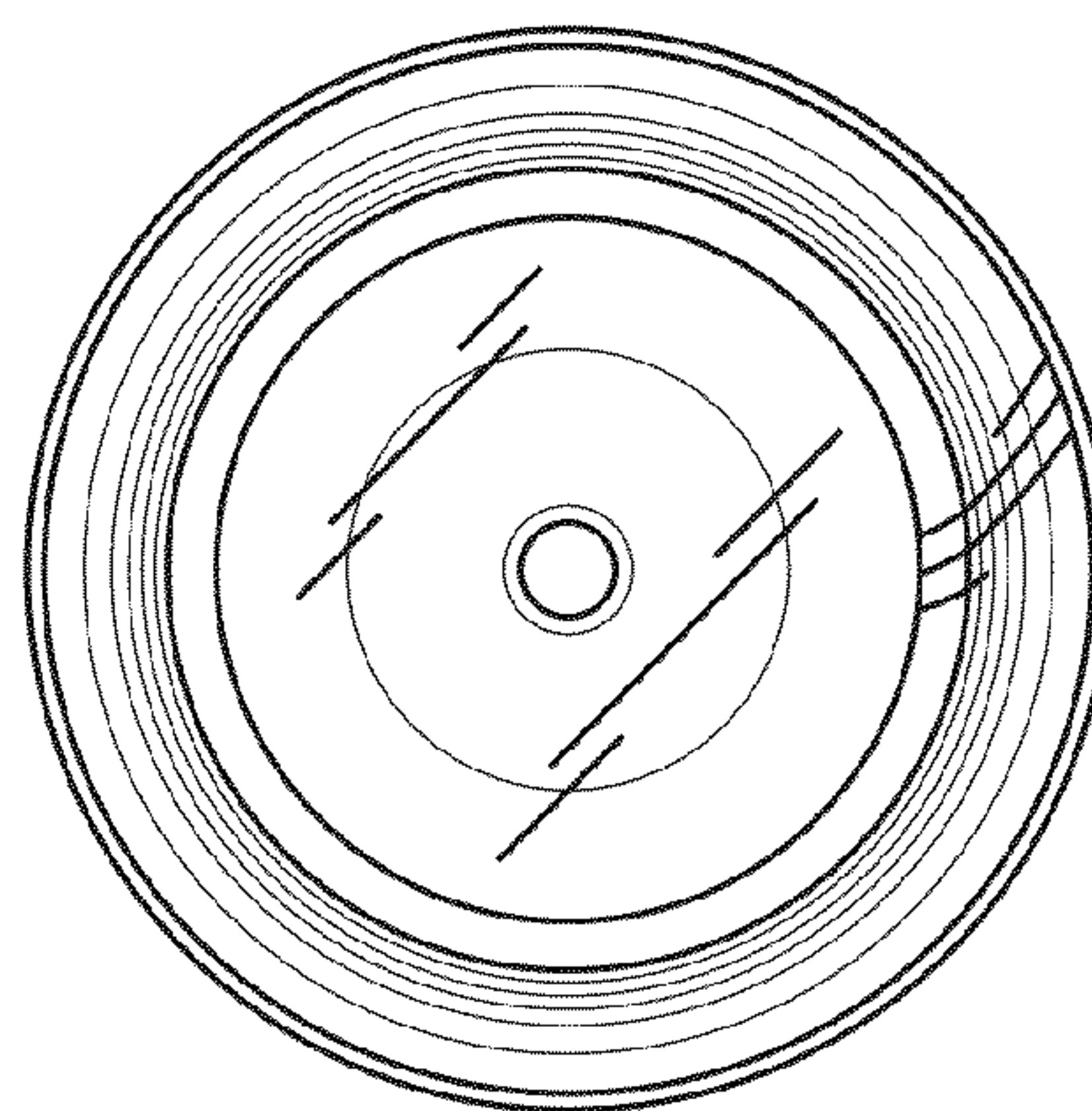


FIG. 9

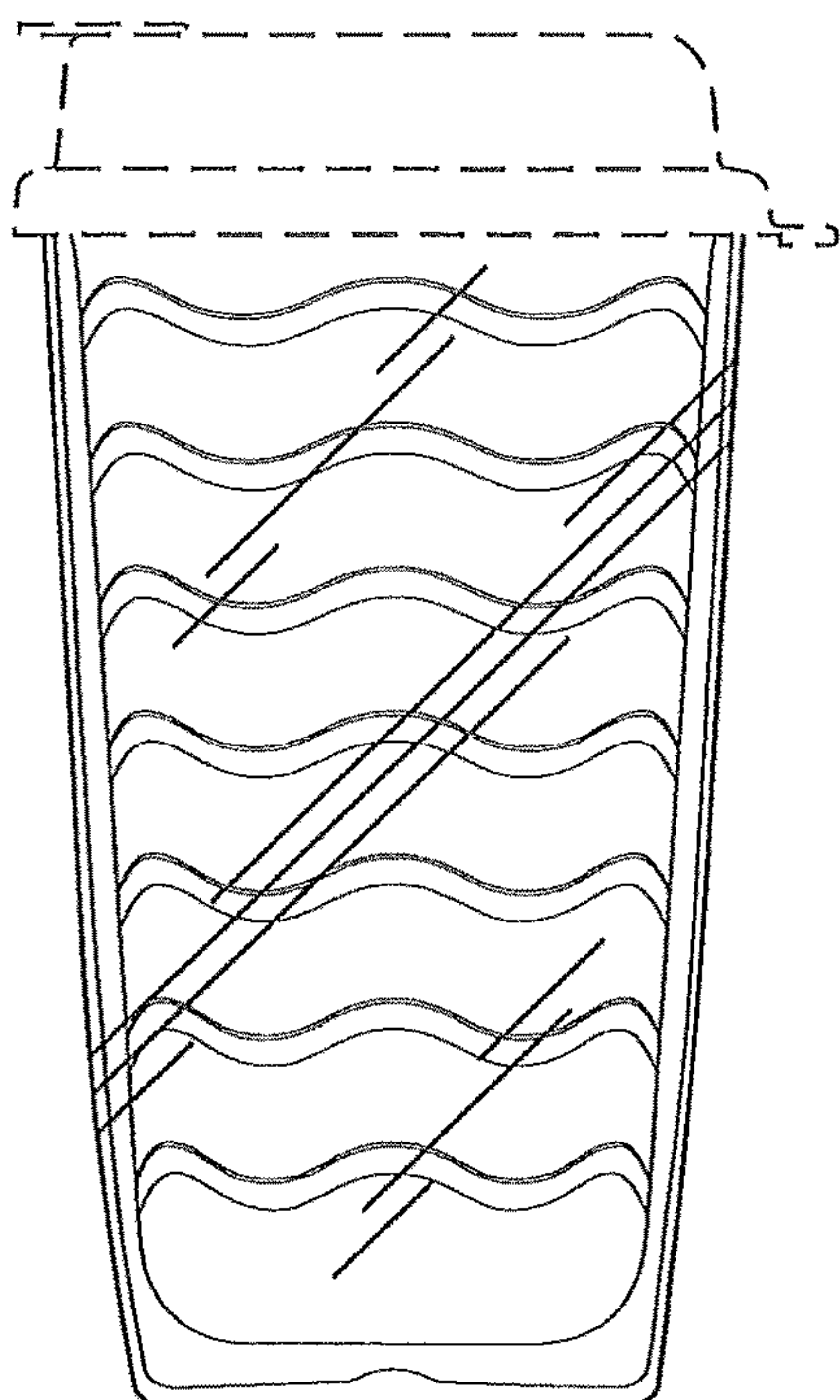


FIG. 10

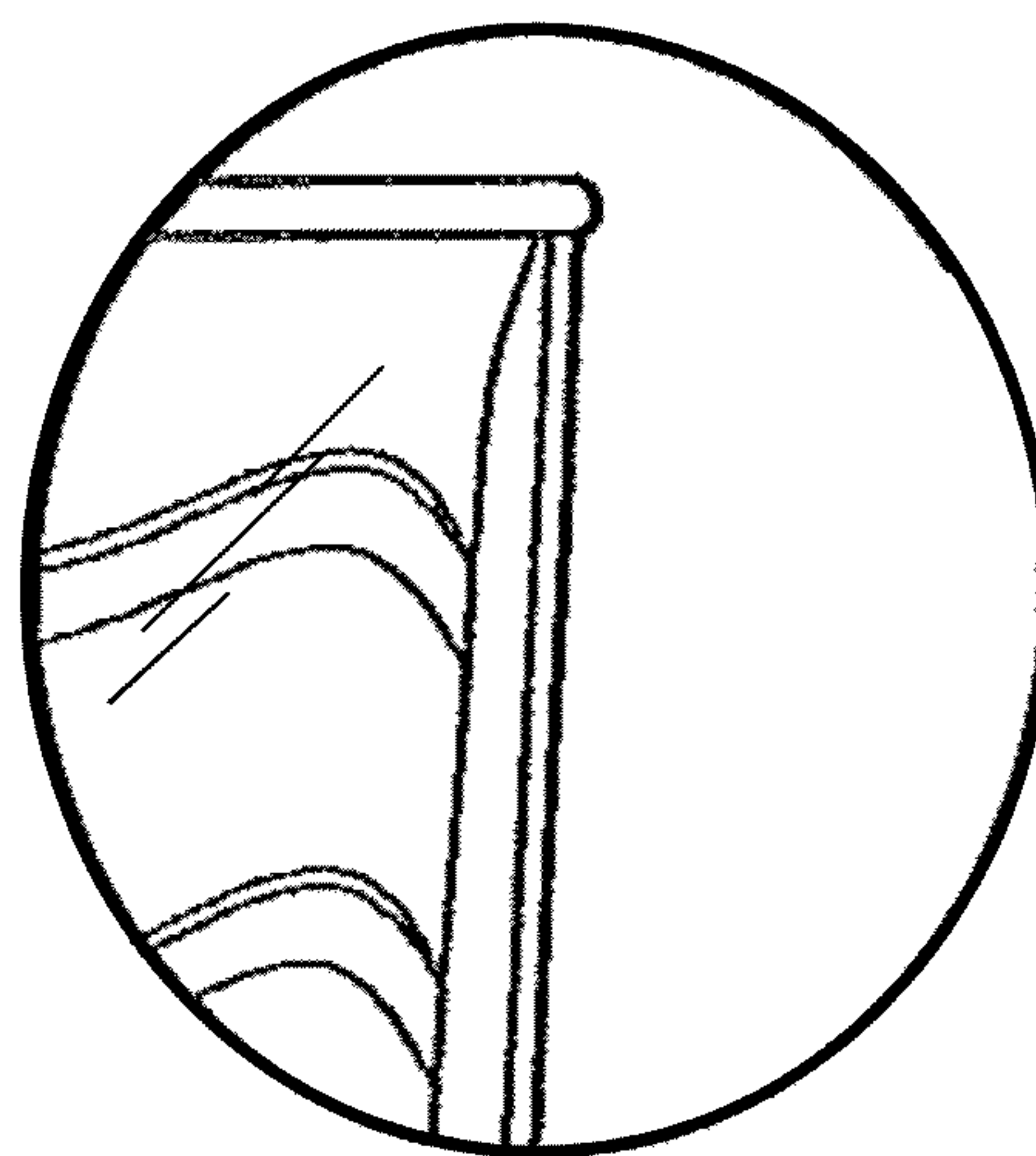


FIG. 11