

US00D732894S

(12) **United States Design Patent**
Peterson et al.

(10) **Patent No.:** **US D732,894 S**
(45) **Date of Patent:** **** Jun. 30, 2015**

(54) **BEVERAGE STEIN**

- (71) Applicant: **TARGET BRANDS, INC.**,
Minneapolis, MN (US)
- (72) Inventors: **William Peterson**, Minneapolis, MN
(US); **Kent D. Katterheinrich**,
Shoreview, MN (US)
- (73) Assignee: **Target Brands, Inc.**, Minneapolis, MN
(US)
- (**) Term: **14 Years**

- (21) Appl. No.: **29/488,053**
- (22) Filed: **Apr. 15, 2014**
- (51) **LOC (10) Cl.** **07-01**
- (52) **U.S. Cl.**
USPC **D7/510; D7/511; D7/516; D7/533;**
D7/536; D7/515
- (58) **Field of Classification Search**
USPC **D7/507, 509, 510, 511, 512, 514, 515,**
D7/516, 517, 520, 523, 533, 536, 543, 400,
D7/399, 900, 397; D9/435, 442, 420, 624,
D9/625, 600, 601; D24/196, 197; 99/323,
99/323.3; 220/200, 703, 707, 705, 592.17;
D34/39; 217/75
CPC **A47G 19/22; A47G 19/2205; A47G**
19/2211; A47G 19/2266
See application file for complete search history.

(56) **References Cited**

U.S. PATENT DOCUMENTS

- D7,342 S * 3/1874 Bakewell, Jr. D7/515
- 904,237 A * 11/1908 Thessen 220/758

(Continued)

OTHER PUBLICATIONS

Office Action from Canadian Patent Application No. 156,917, mailed
Nov. 28, 2014 (2 pages).

(Continued)

Primary Examiner — Marianne Pandozzi

Assistant Examiner — Jae Liang

(74) *Attorney, Agent, or Firm* — JoAnn M. Seaton; Griffiths
& Seaton PLLC

(57) **CLAIM**

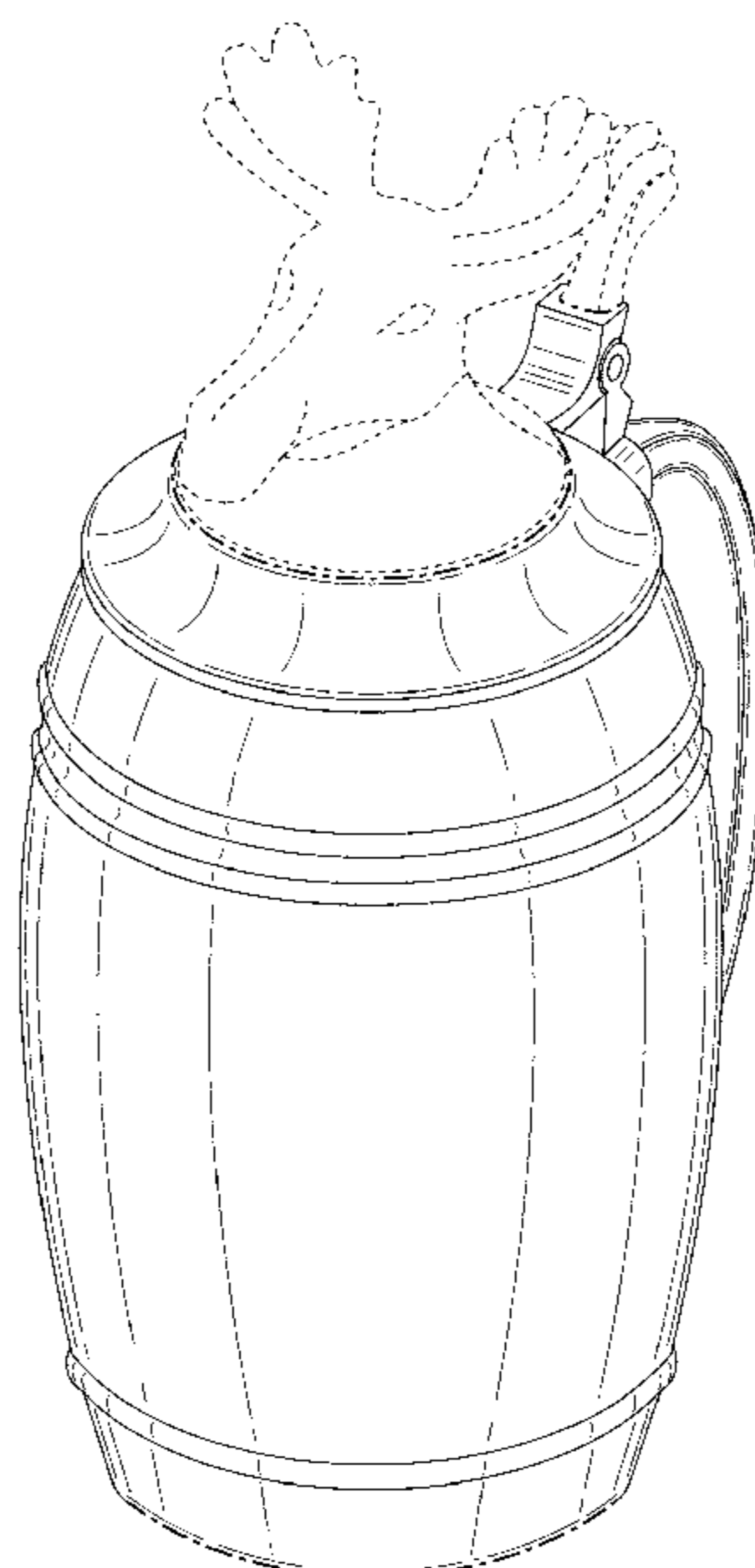
The ornamental design for a beverage stein, as shown and
described.

DESCRIPTION

FIG. 1 is a top, front, perspective view of a beverage stein
showing a first embodiment of our new design;
FIG. 2 is a front view thereof;
FIG. 3 is a rear view thereof;
FIG. 4 is a right side view thereof;
FIG. 5 is a left side view thereof;
FIG. 6 is a top view thereof;
FIG. 7 is a bottom view thereof;
FIG. 8 is a top, front, perspective view of the beverage stein
showing a second embodiment of our new design;
FIG. 9 is a front view thereof;
FIG. 10 is a rear view thereof;
FIG. 11 is a right side view thereof;
FIG. 12 is a left side view thereof;
FIG. 13 is a top view thereof; and,
FIG. 14 is a bottom view thereof.

The features shown in broken lines are portions of the beverage
stein or environmental subject matter to the beverage
stein forming no part of the claimed design. The features
shown in long dash-short dash bolded broken lines indicate
the bounds of the claimed design and otherwise form no part
of the claimed design.

1 Claim, 14 Drawing Sheets



(56)

References Cited

U.S. PATENT DOCUMENTS

D90,022	S *	5/1933	Florman	D7/511
D216,731	S *	3/1970	Leung	D7/536
D246,882	S *	1/1978	Thrush	D7/536
D258,484	S	3/1981	Slepicka		
4,555,034	A *	11/1985	Gerhards	215/398
4,735,333	A *	4/1988	Lay et al.	220/739
D312,045	S *	11/1990	Killingsworth, III	D7/624.3
D342,189	S	12/1993	Smith et al.		
D354,657	S	1/1995	Kramer		
D377,738	S *	2/1997	Thorne	D7/536
D385,460	S	10/1997	Driska		
D445,001	S *	7/2001	Lin	D7/510
D490,654	S *	6/2004	Allen et al.	D7/515
D607,278	S *	1/2010	Luchak	D7/536
2012/0097724	A1 *	4/2012	Standfest et al.	224/545

OTHER PUBLICATIONS

“Deer Stein with Lid Ceramic Bisque U-Paint Wildlife Deer”, printed from www.ebay.com/itm/DEER-STEIN-WITH-LID-CERAMIC-BISQUE-U-PAINT-WILDLIFE-DEER-/380406366668, Feb. 8, 2012 (3 pages).

“German Developed Wildlife, Outdoors Steins”, printed from www.gmskroll.com/german_wild_life.htm, publicly available at least as early as Jun. 5, 2013 (3 pages).

“Force Recon Stein”, printed from www.cafepress.com/+force_recon_stein,564489175, publicly available at least as early as Aug. 16, 2011 (2 pages).

“Uhl Pottery Vintage Prohibition Era Crock Mug Stein”, printed from www.etsy.com/listing/66171455/uhl-pottery_vintage-prohibition-era, publicly available at least as early as Nov. 23, 2012 (3 pages).

* cited by examiner



FIG. 1

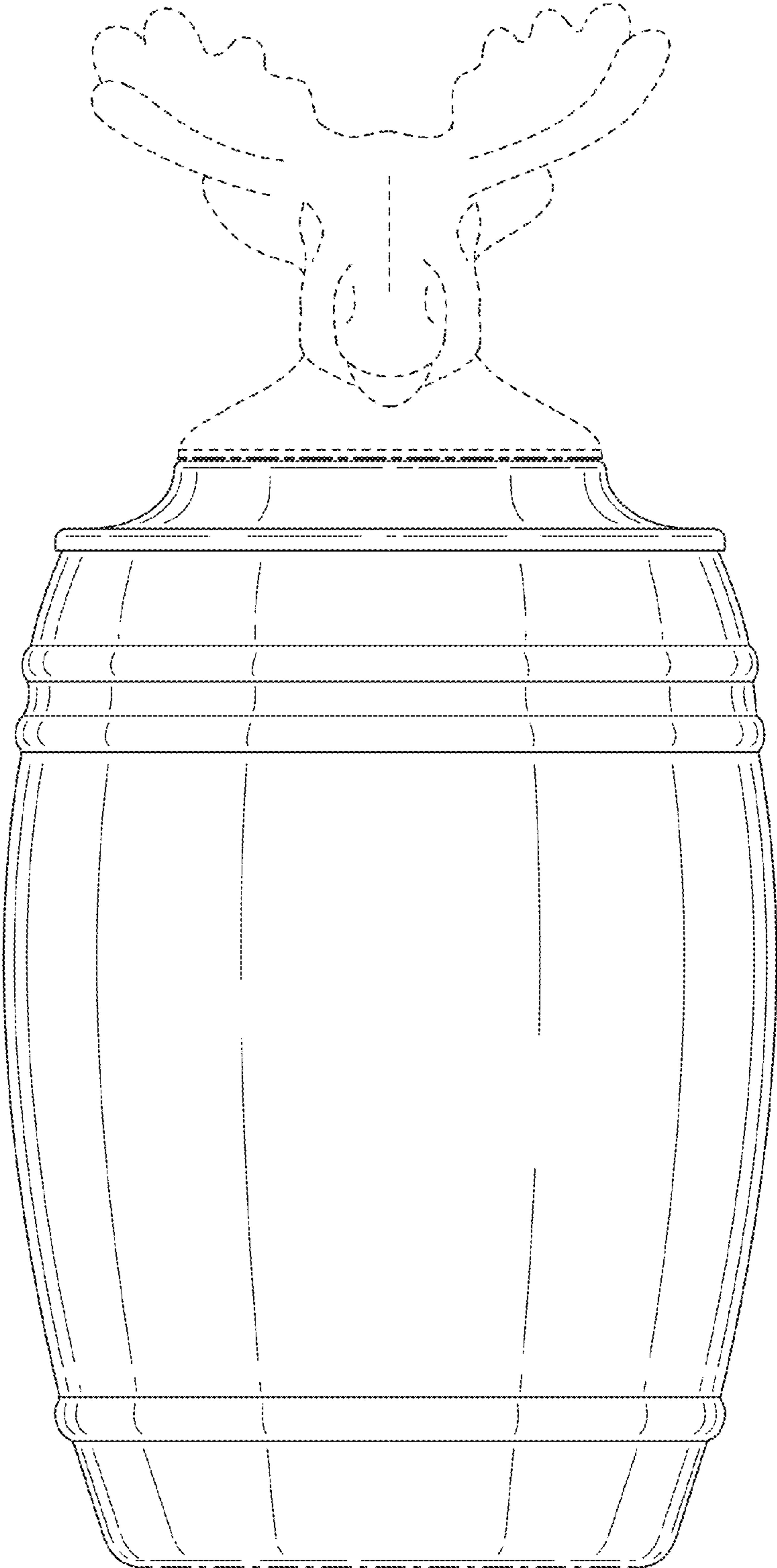


FIG. 2

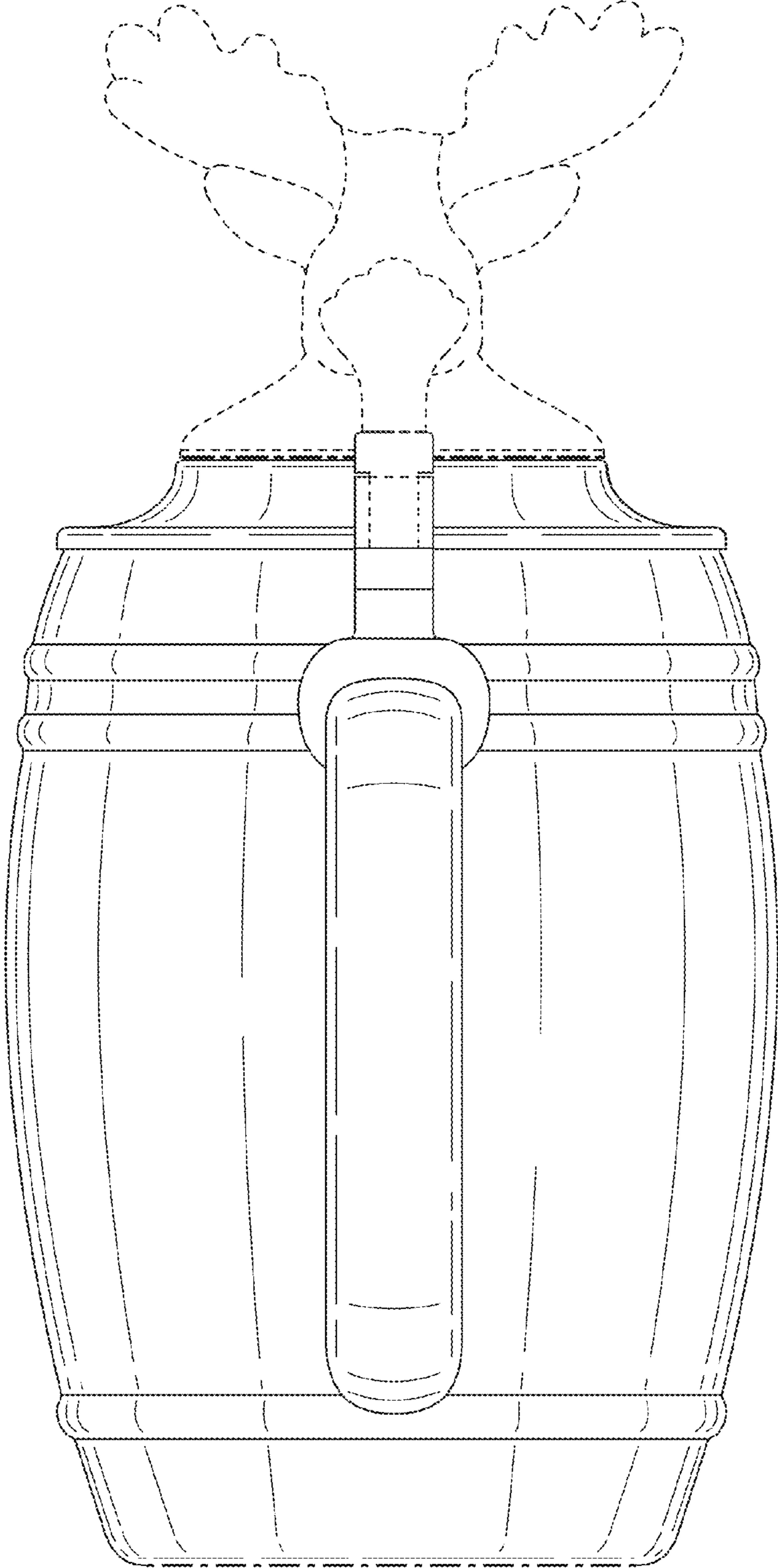


FIG. 3

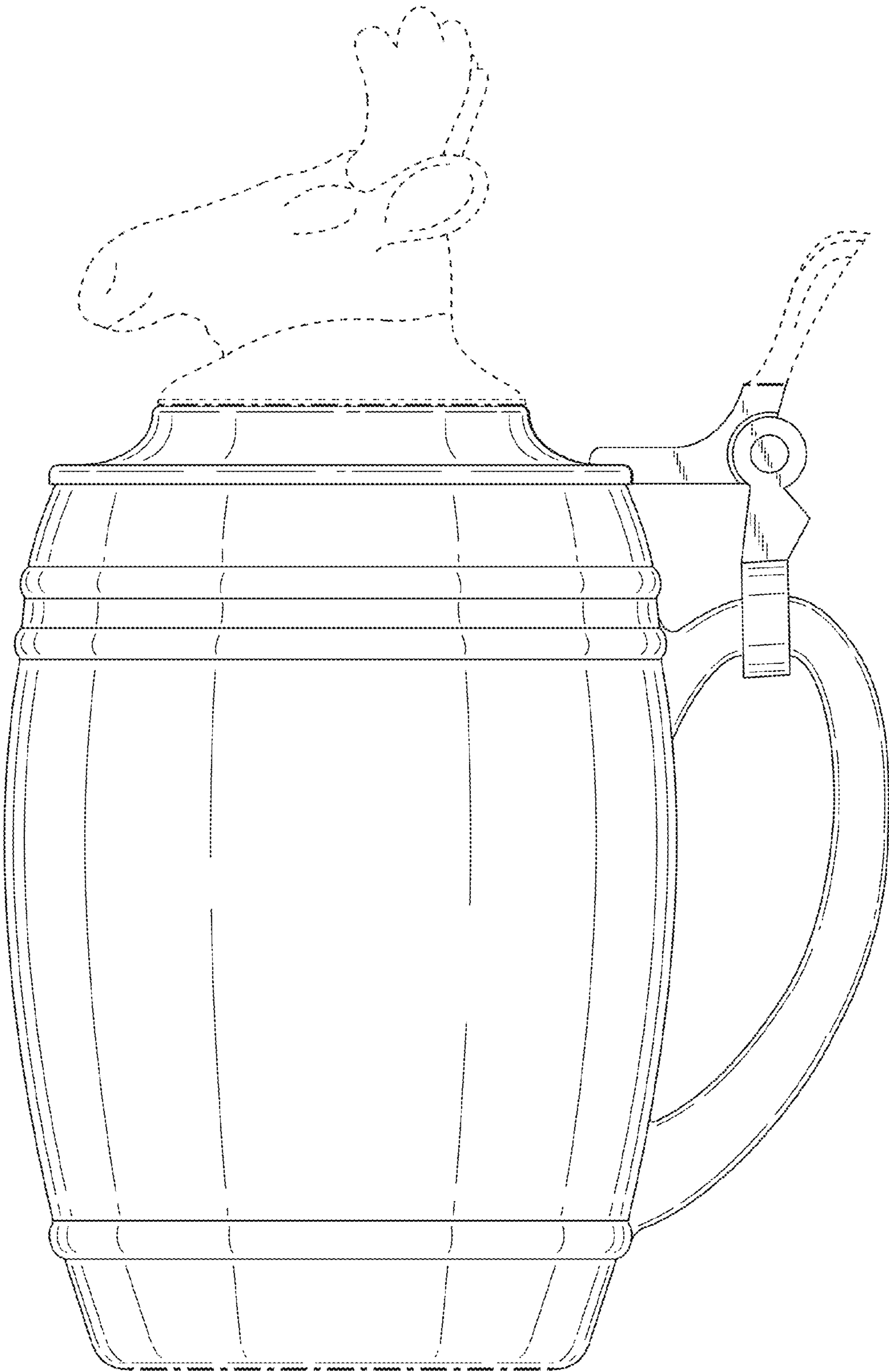


FIG. 4



FIG. 5

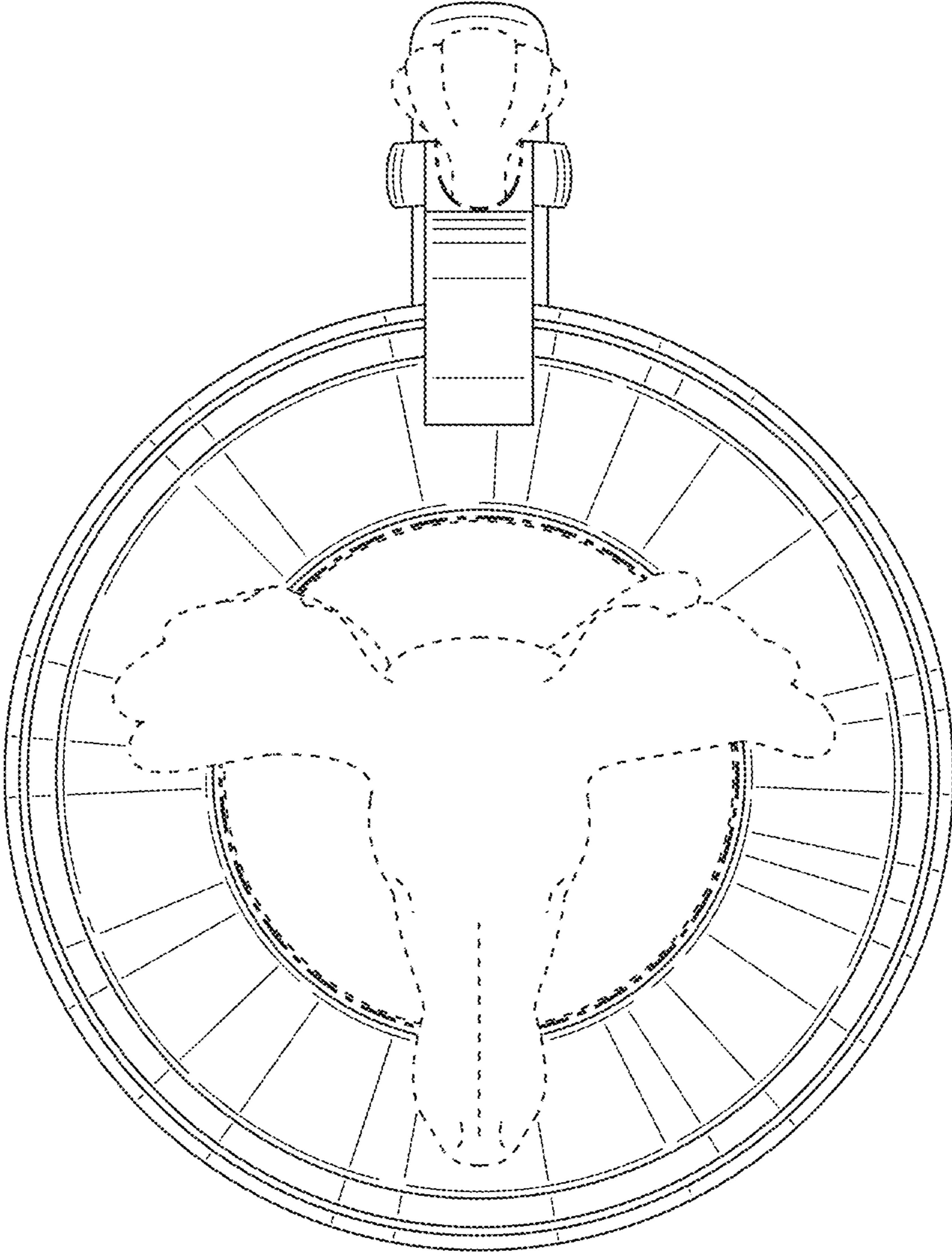


FIG. 6

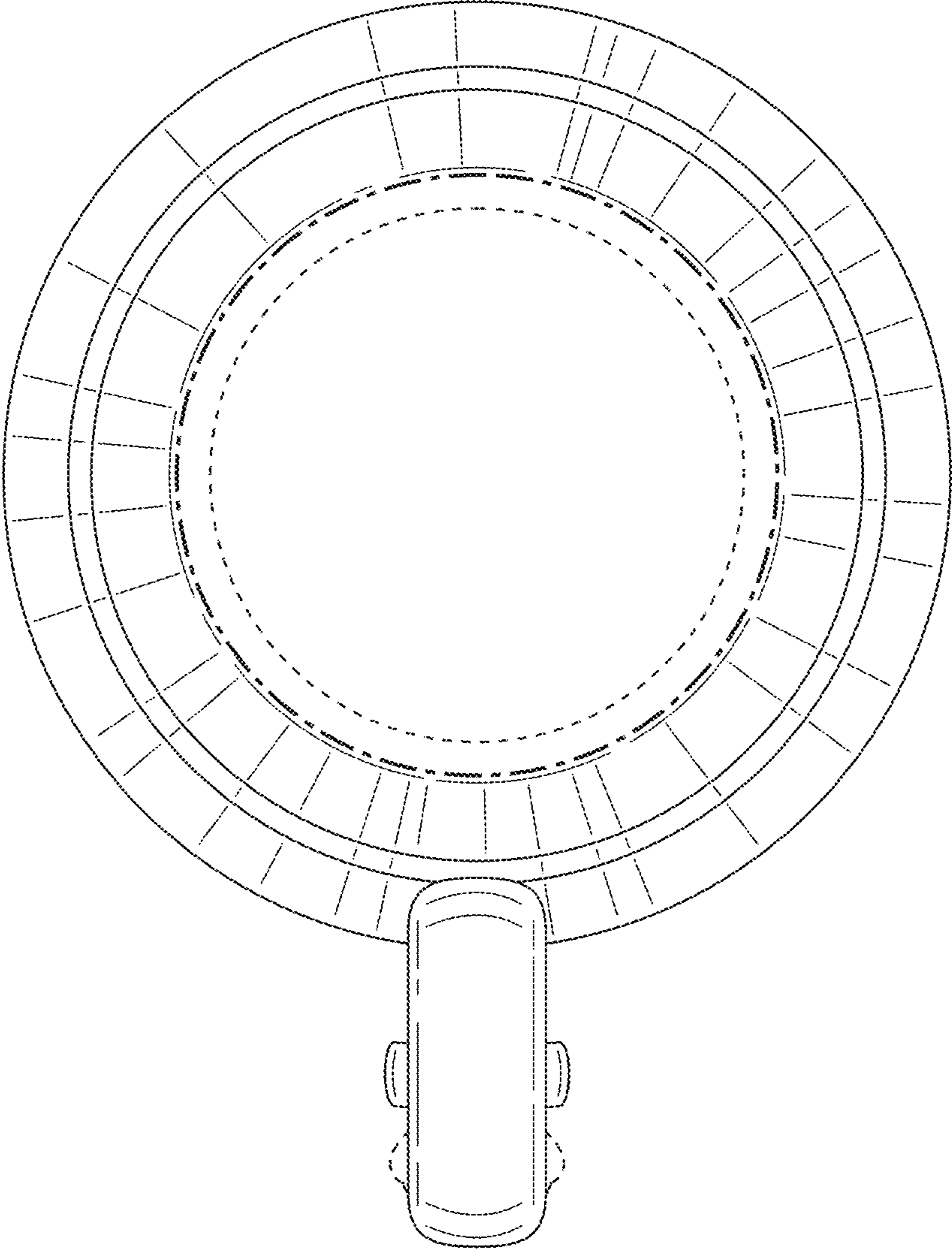


FIG. 7



FIG. 8

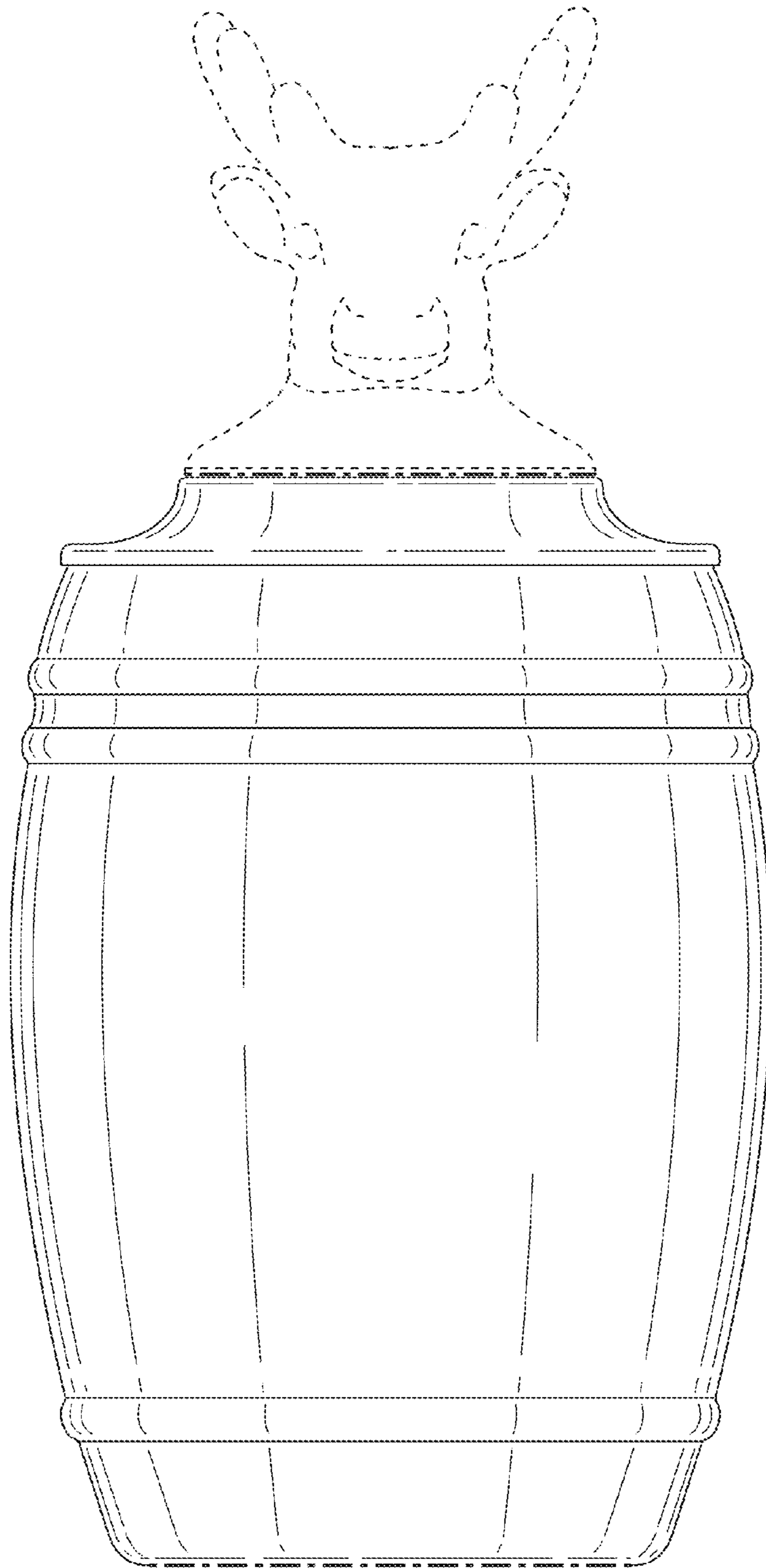


FIG. 9

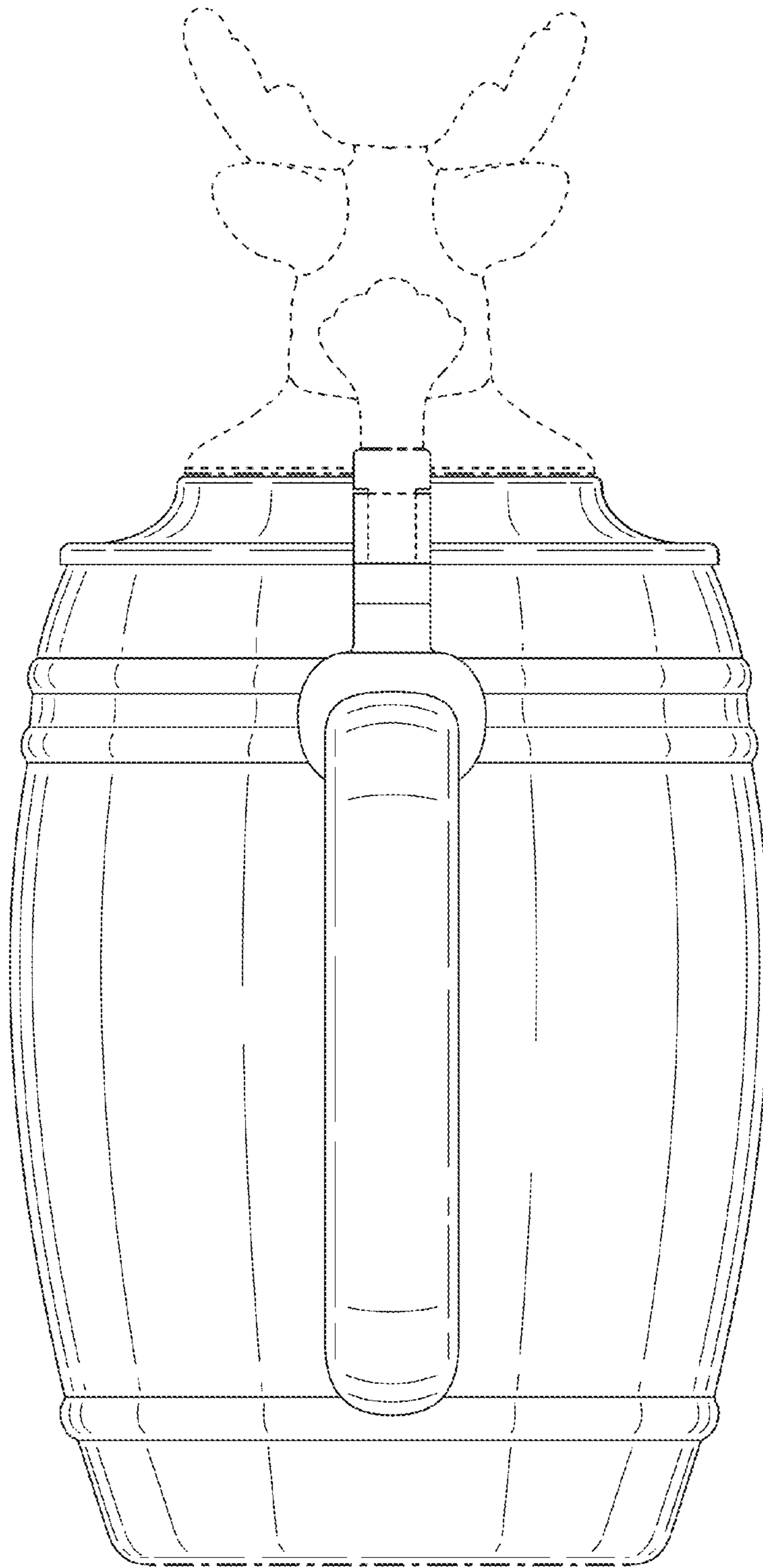


FIG. 10



FIG. 11



FIG. 12

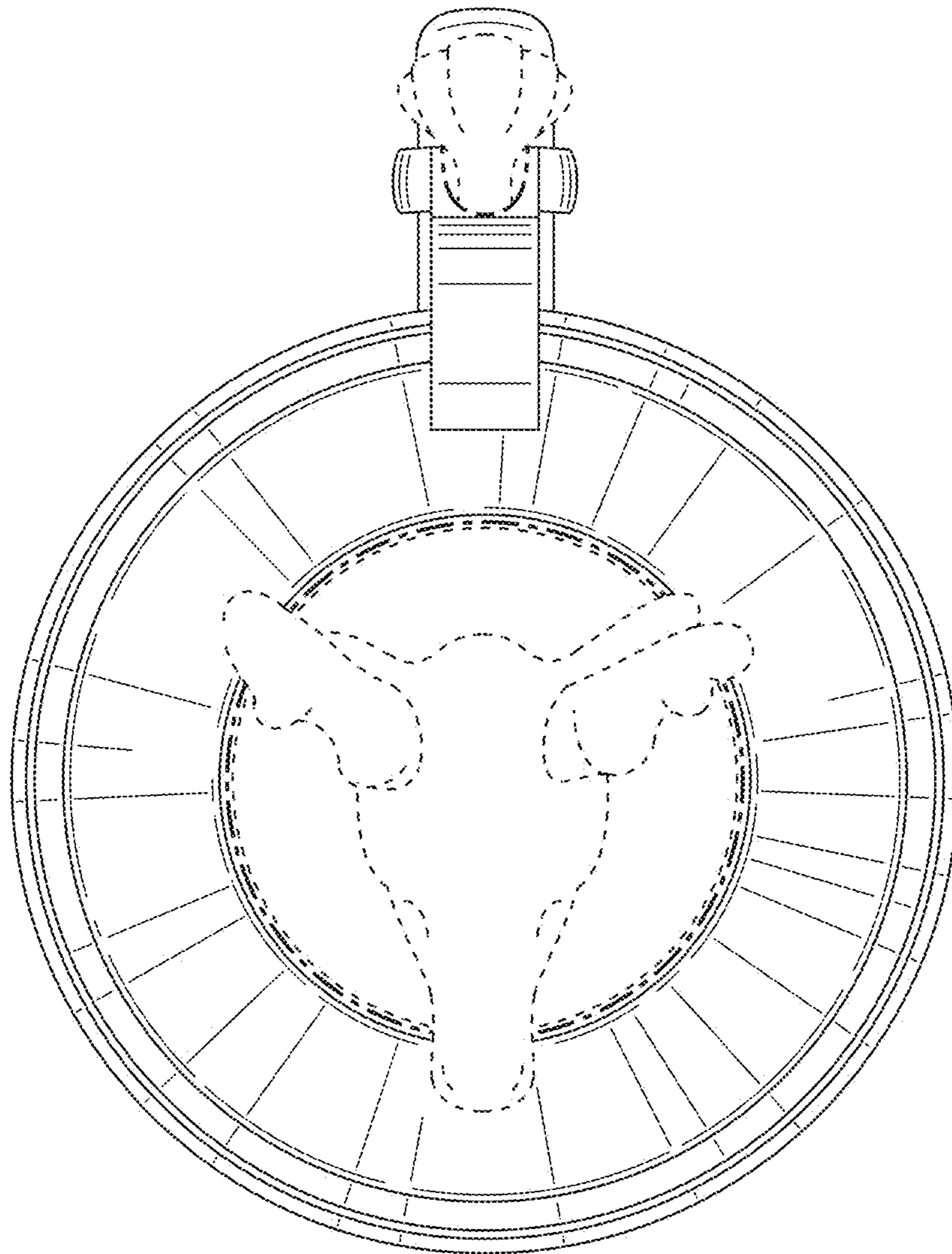


FIG. 13

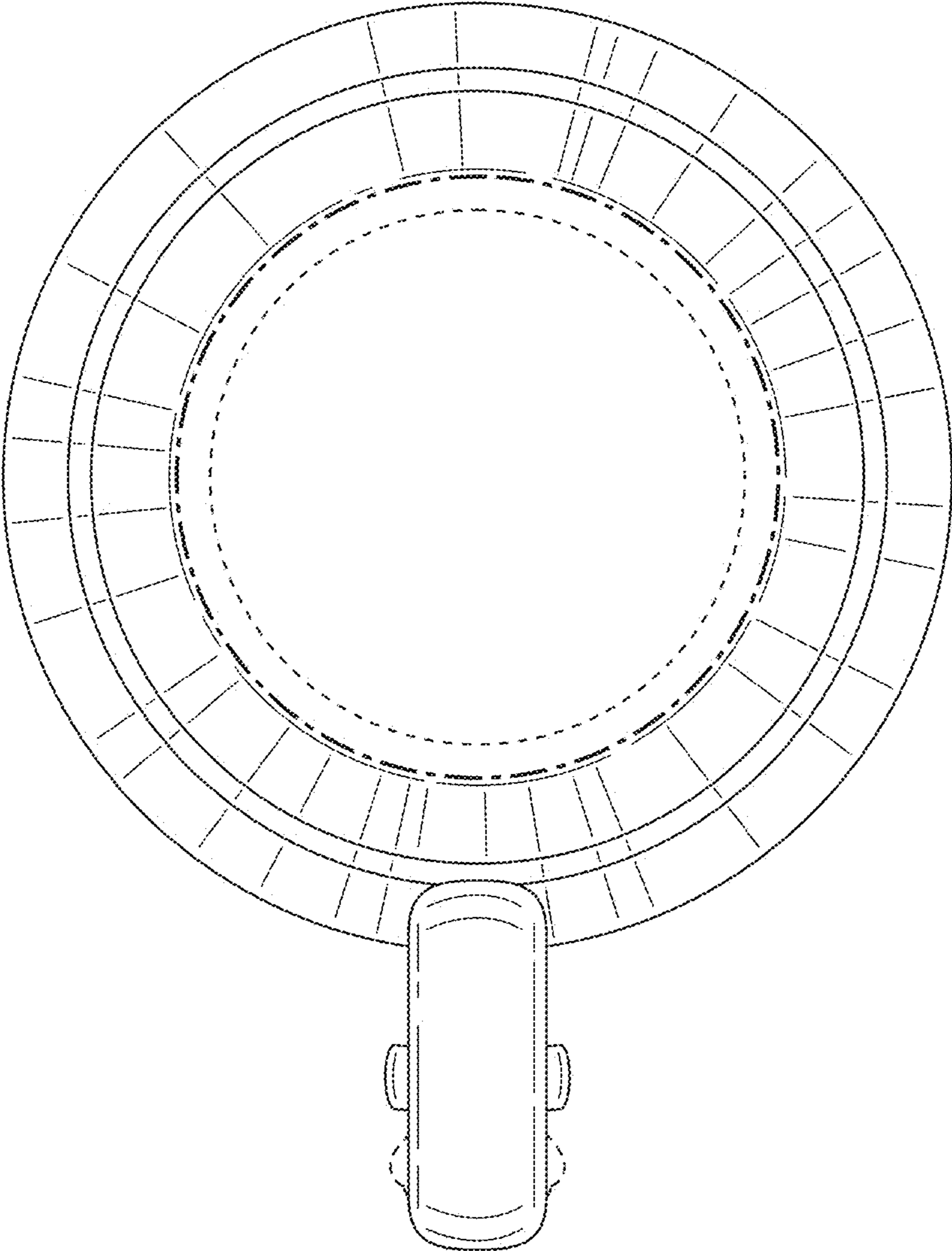


FIG. 14