

US00D732887S

(12) **United States Design Patent**
Munari

(10) **Patent No.:** **US D732,887 S**
(45) **Date of Patent:** **** Jun. 30, 2015**

(54) **SIDE-HANDLE FOR COOKWARE**
(71) Applicant: **LA TERMOPLASTIC F.B.M S.R.L.,**
Arsago Seprio (VA) (IT)
(72) Inventor: **Marco Munari,** Cardano Al Campo (IT)
(73) Assignee: **LA TERMOPLASTIC F.B.M. S.R.L.,**
Arsago Seprio (VA) (IT)
(**) Term: **14 Years**

(21) Appl. No.: **29/491,393**

(22) Filed: **May 20, 2014**

(30) **Foreign Application Priority Data**

Nov. 22, 2013 (EM) 002350819

(51) **LOC (10) Cl.** **07-02**

(52) **U.S. Cl.**
USPC **D7/394**

(58) **Field of Classification Search**
USPC D7/354-361, 391, 393-395, 396.2, 514,
D7/664; D8/107, 300, 301, 306, 315, 316,
D8/317, 319, 320, 321; 16/430, 431,
16/110.1, 114.1, 407, 416, 429, 443, 441;
220/377, 573.1-573.5, 752, 753, 755,
220/756, 760, 772, 773, 912; D3/318;
138/121, 145, 173

See application file for complete search history.

(56) **References Cited**

U.S. PATENT DOCUMENTS

D395,376 S *	6/1998	Montgelard	D7/393
D444,345 S *	7/2001	Rae	D7/394
D461,094 S *	8/2002	Coudurier	D7/394
D462,570 S *	9/2002	Munari	D7/394
D470,011 S *	2/2003	Munari	D7/394
D514,917 S *	2/2006	Coudurier	D8/107
D554,939 S *	11/2007	Munari	D7/394
D607,270 S *	1/2010	Munari	D7/394
D617,138 S *	6/2010	Munari	D7/394
D683,582 S *	6/2013	Rae	D7/394

* cited by examiner

Primary Examiner — Cynthia M Chin

(74) *Attorney, Agent, or Firm* — Hedman & Costigan, P.C.;
James V. Costigan; Kathleen A. Costigan

(57) **CLAIM**

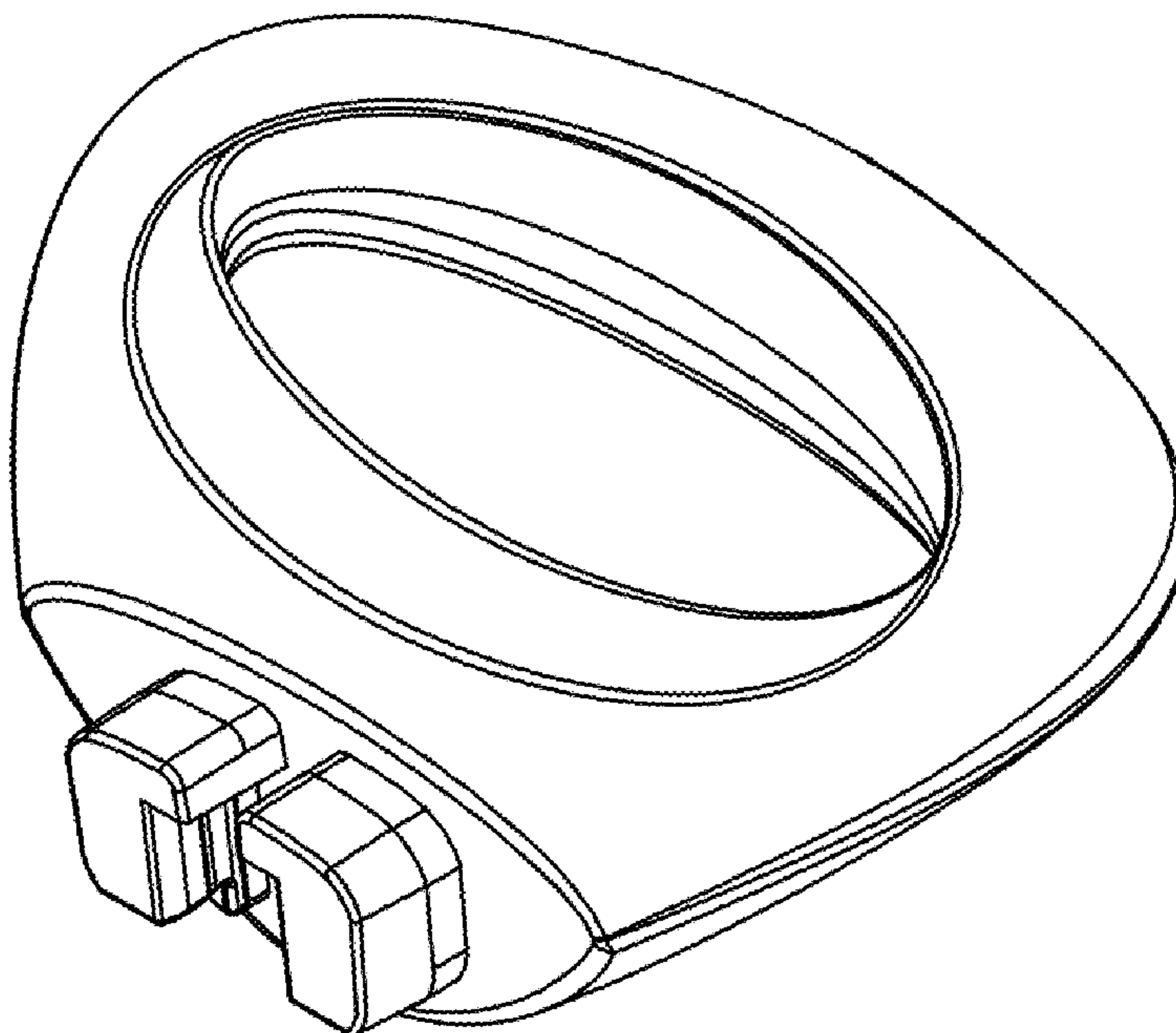
The ornamental design for a side-handle for cookware, as shown and described.

DESCRIPTION

FIG. 1 is a front, perspective view of a side-handle for cookware according to the present invention;
FIG. 2 is a front elevational view thereof;
FIG. 3 is a rear elevational view thereof;
FIG. 4 is a left side elevational view thereof;
FIG. 5 is a right side elevational view thereof;
FIG. 6 is top plan view thereof; and,
FIG. 7 is a bottom plan view thereof.

The portions of the side-handle for cookware shown in broken lines form no part of the claimed design.

1 Claim, 2 Drawing Sheets



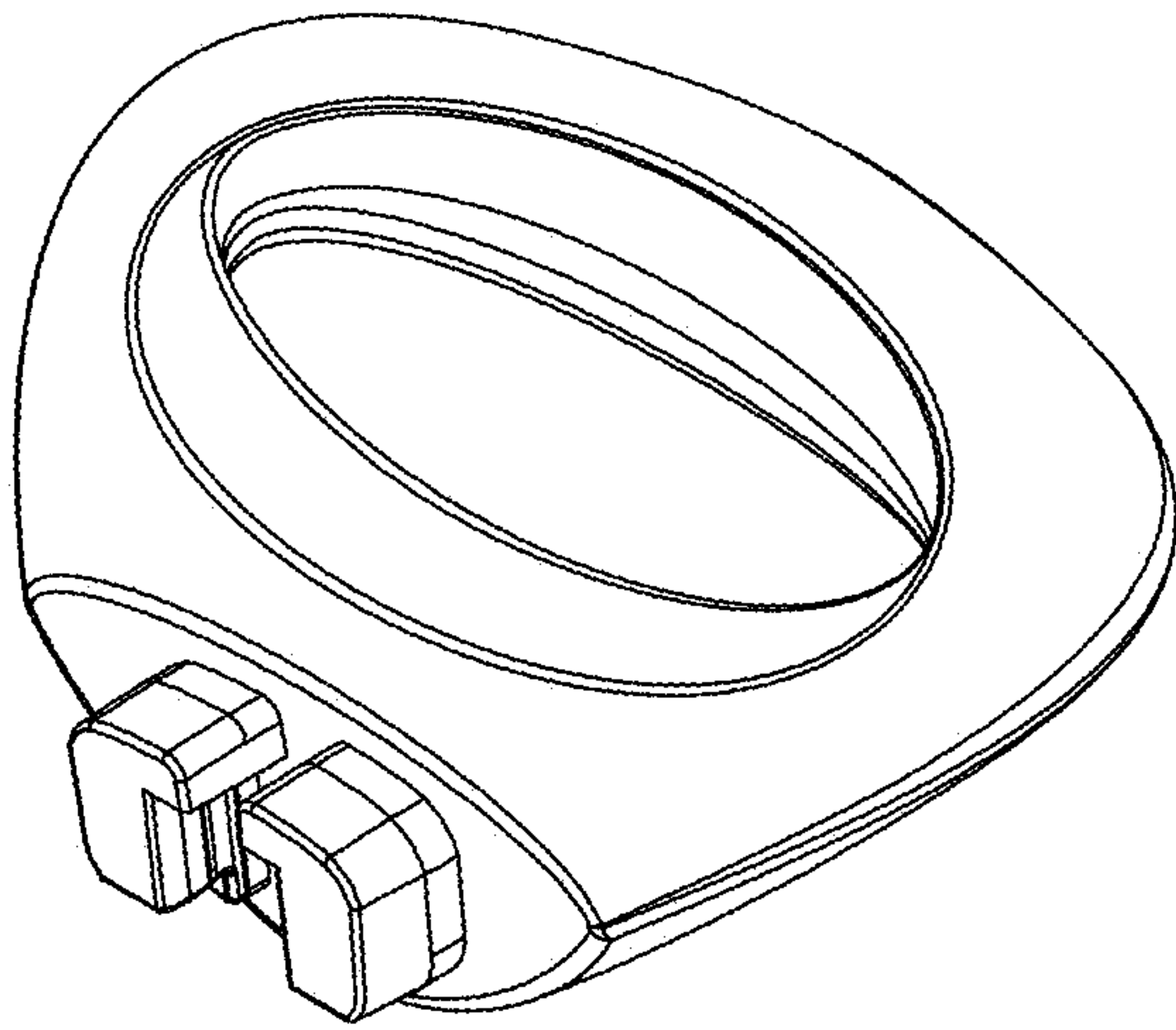


Fig. 1

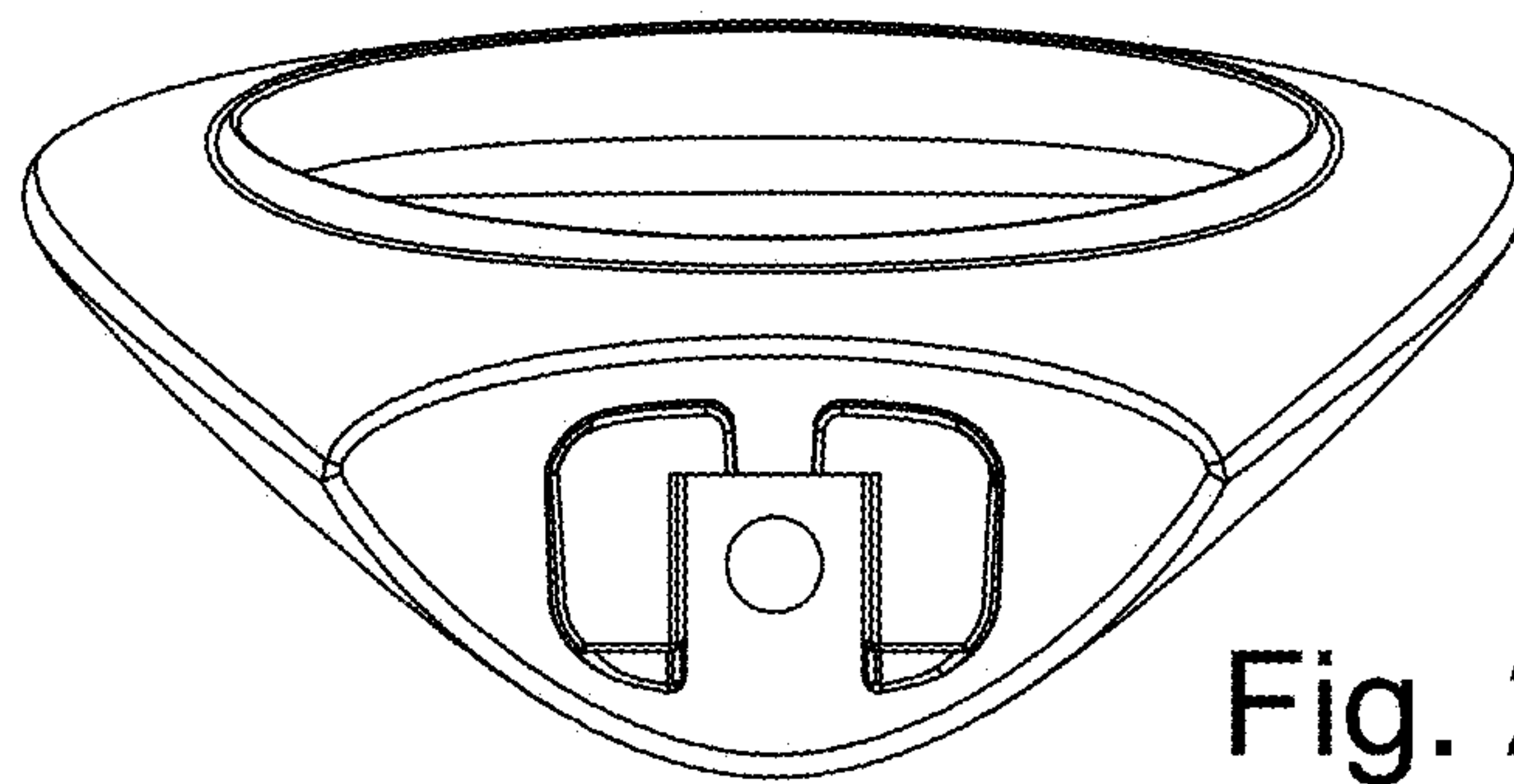


Fig. 2

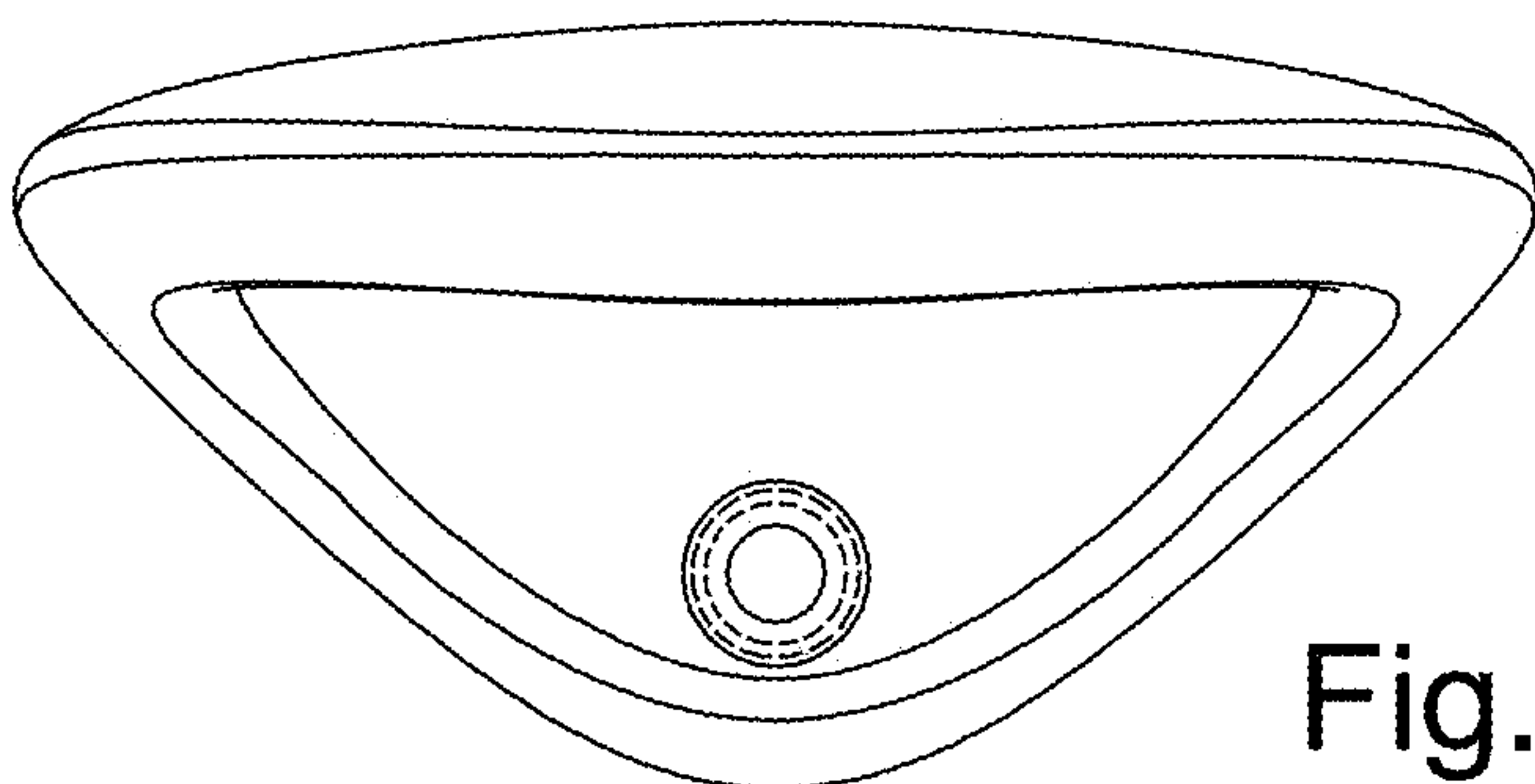


Fig. 3

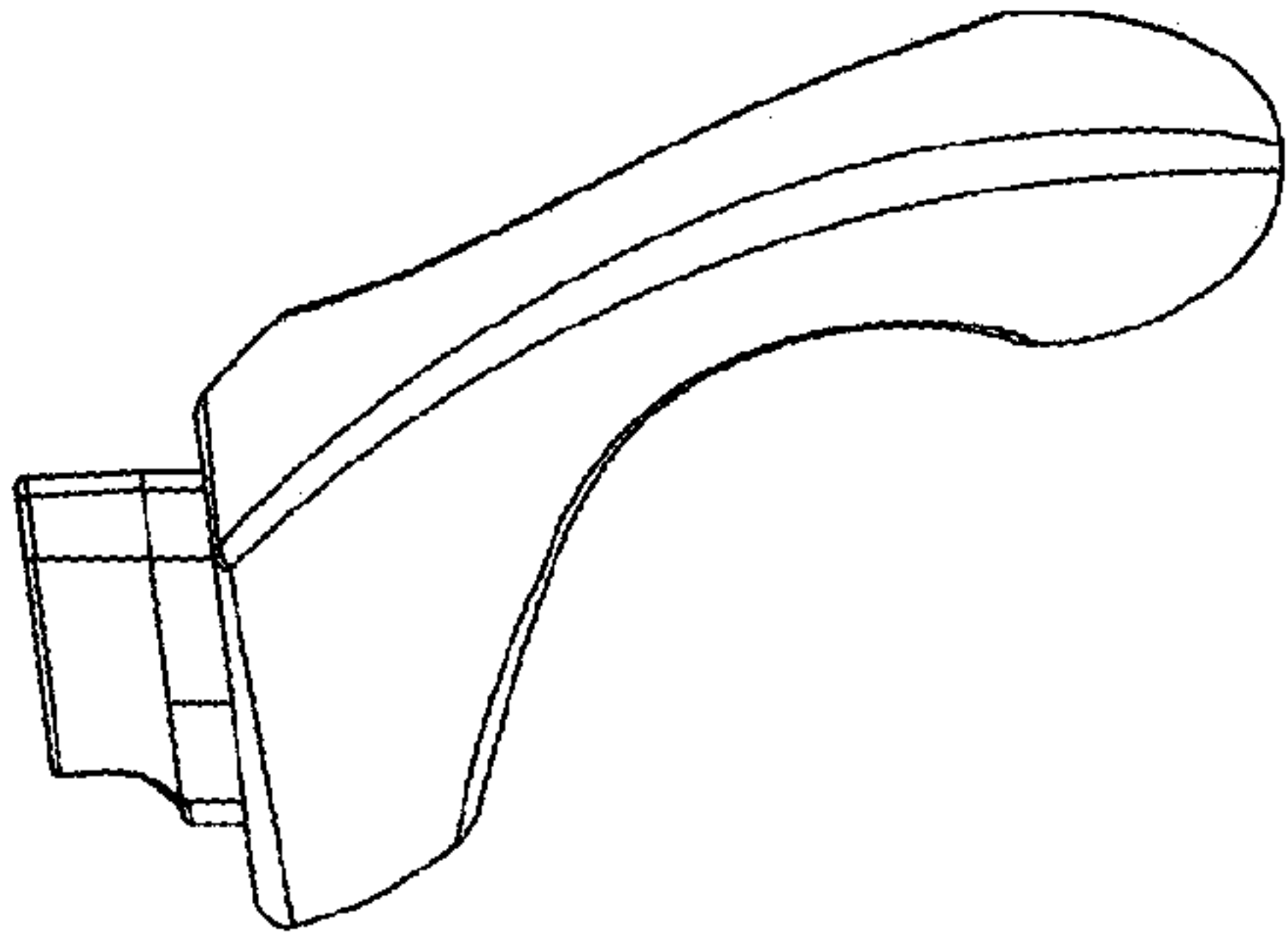


Fig. 4

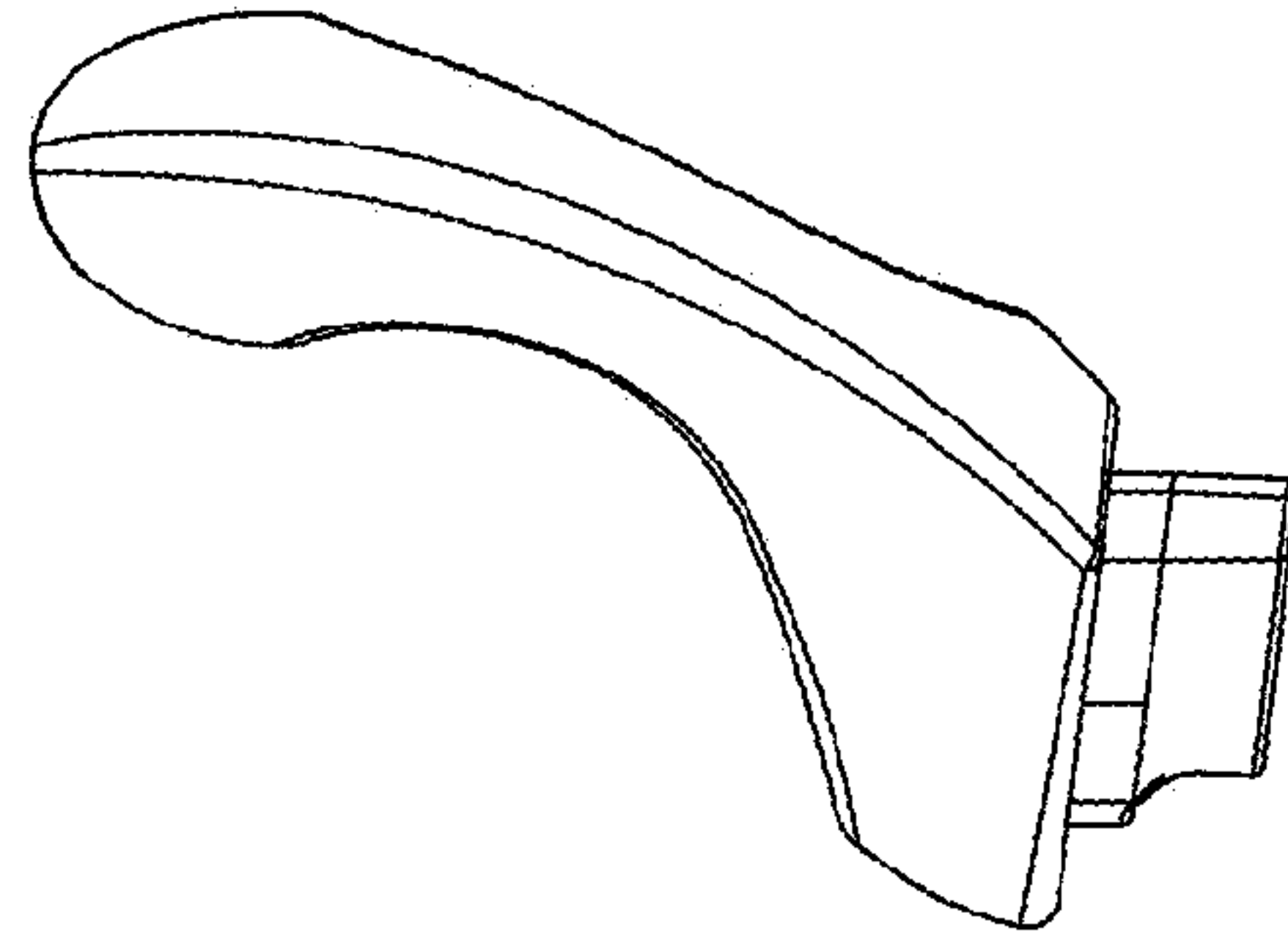


Fig. 5

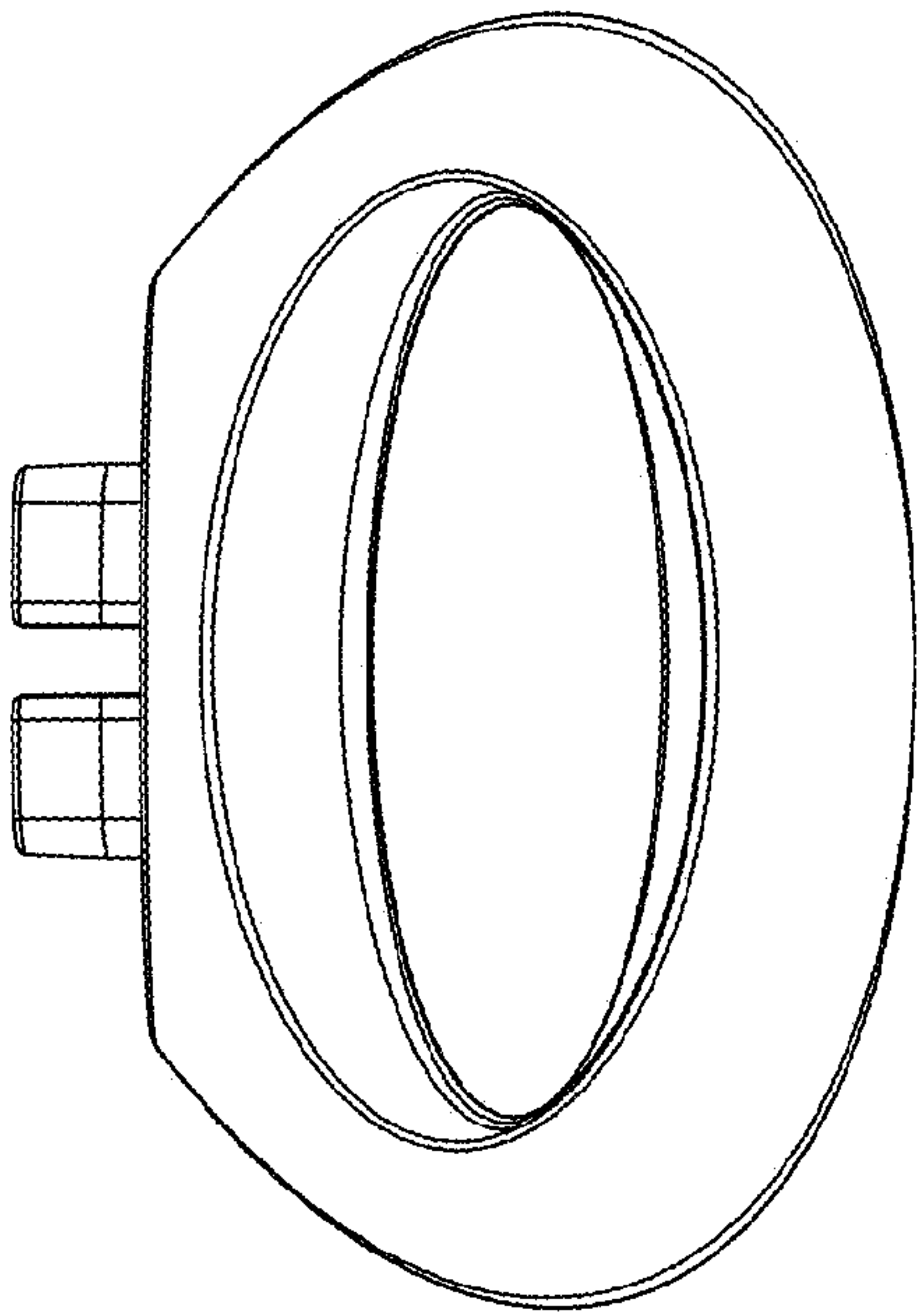


Fig. 6

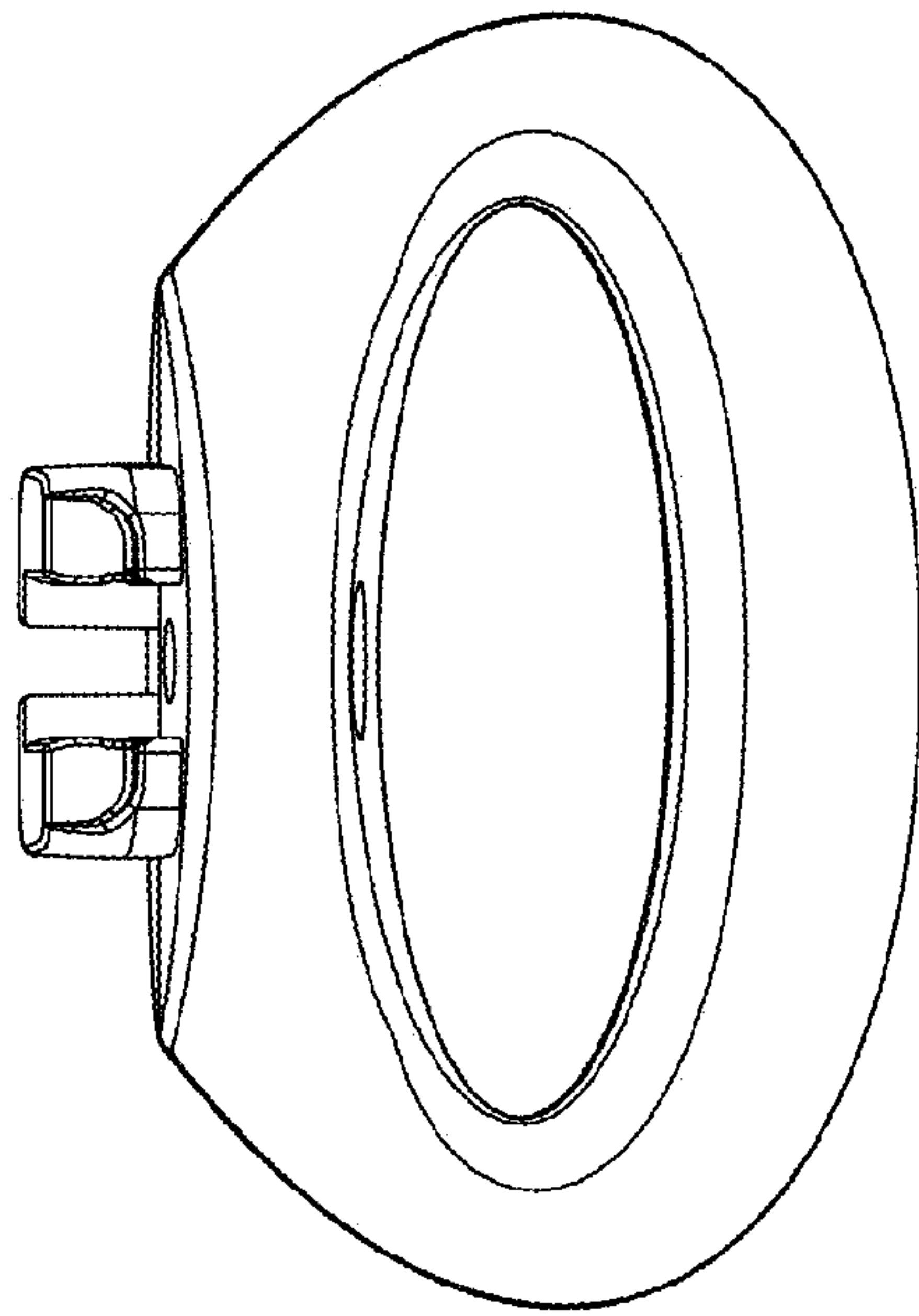


Fig. 7