



US00D732880S

(12) **United States Design Patent**
Accoceberry et al.

(10) **Patent No.:** **US D732,880 S**

(45) **Date of Patent:** **** Jun. 30, 2015**

(54) **LID**

A47J 37/12; A47J 37/1204; A47J 45/061;
A47J 45/071; A47J 45/08; H05B 6/12

(71) Applicant: **Zwilling J.A. Henckels AG**, Solingen
(DE)

See application file for complete search history.

(72) Inventors: **Samuel Accoceberry**, Paris (FR);
Sebastian Mader, Hilden (DE)

(56) **References Cited**

(73) Assignee: **Zwilling J.A. Henckels AG** (DE)

U.S. PATENT DOCUMENTS

(**) Term: **14 Years**

D230,575 S *	3/1974	Commisso et al.	D9/454
D297,298 S *	8/1988	Sarnoff et al.	D7/391
D378,724 S *	4/1997	Young et al.	D7/505
D419,372 S *	1/2000	Cheng	D7/393
D433,334 S *	11/2000	Hayes et al.	D9/452
D438,754 S *	3/2001	Mendelson	D7/391
D457,781 S *	5/2002	Brown	D7/396.1
D468,207 S *	1/2003	Brown	D9/454
D516,913 S *	3/2006	LaMasney	D9/454
D550,030 S *	9/2007	Peterson	D7/392.1
D567,018 S *	4/2008	Sims	D7/391
D642,011 S *	7/2011	Seager	D7/391
D642,921 S *	8/2011	Endert	D9/454

(21) Appl. No.: **29/487,796**

(22) Filed: **Apr. 11, 2014**

Related U.S. Application Data

(63) Continuation of application No. 13/970,781, filed on
Aug. 20, 2013.

* cited by examiner

(30) **Foreign Application Priority Data**

Primary Examiner — Ricky Pham

Dec. 3, 2013 (EM) 002363507-0004

(74) *Attorney, Agent, or Firm* — Mayback & Hoffman, P.A.;
Gregory L. Mayback

(51) **LOC (10) Cl.** **07-02**

(52) **U.S. Cl.**
USPC **D7/391; D7/354**

(57) **CLAIM**

The ornamental design for a lid, as shown and described.

(58) **Field of Classification Search**

DESCRIPTION

USPC D7/323, 354–363, 391–396.1, 505;
D9/452, 454; 99/324, 331, 339–340,
99/403, 425–426, 444–445; 126/373.1,
126/383.1–384.1, 390.1; 219/438–439,
219/620–622; 220/573.1–573.5, 752–753,
220/755–759, 912; 222/465.1, 470, 475.1
CPC A47G 19/12; A47J 27/00; A47J 27/002;
A47J 27/08; A47J 27/21; A47J 27/58; A47J
36/025; A47J 36/06; A47J 36/12; A47J 37/00;
A47J 37/10; A47J 37/101; A47J 37/103;

FIG. 1 is a bottom plan view of the lid showing our new design
thereof;

FIG. 2 is a top plan view of the lid of FIG. 1;

FIG. 3 is a left elevational view of the lid of FIG. 1;

FIG. 4 is a right elevational view of the lid of FIG. 1;

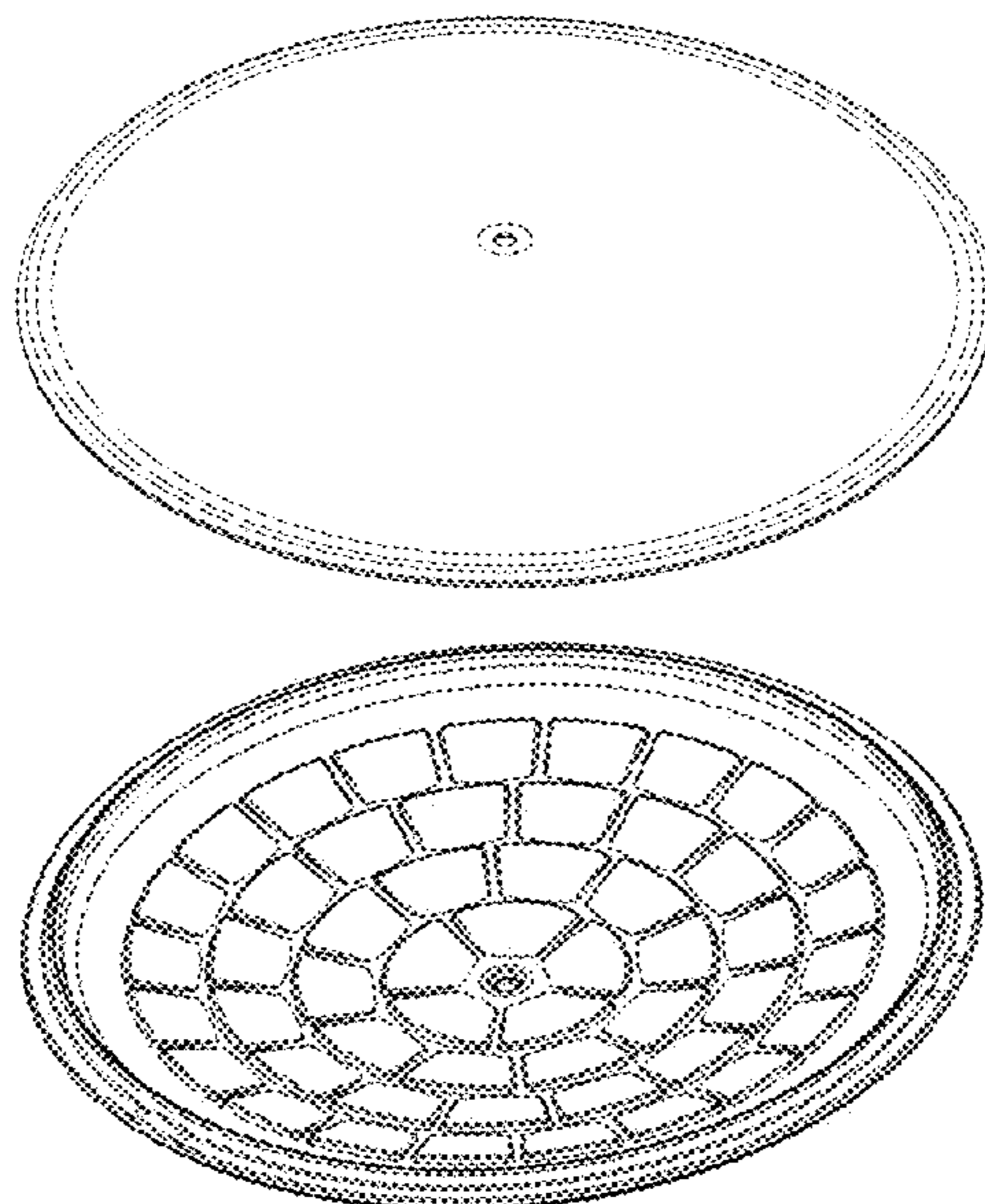
FIG. 5 is a front elevational view of the lid of FIG. 1;

FIG. 6 is a rear elevational view of the lid of FIG. 1;

FIG. 7 is a top perspective view of the lid of FIG. 1; and,

FIG. 8 is a bottom perspective view of the lid of FIG. 1.

1 Claim, 5 Drawing Sheets



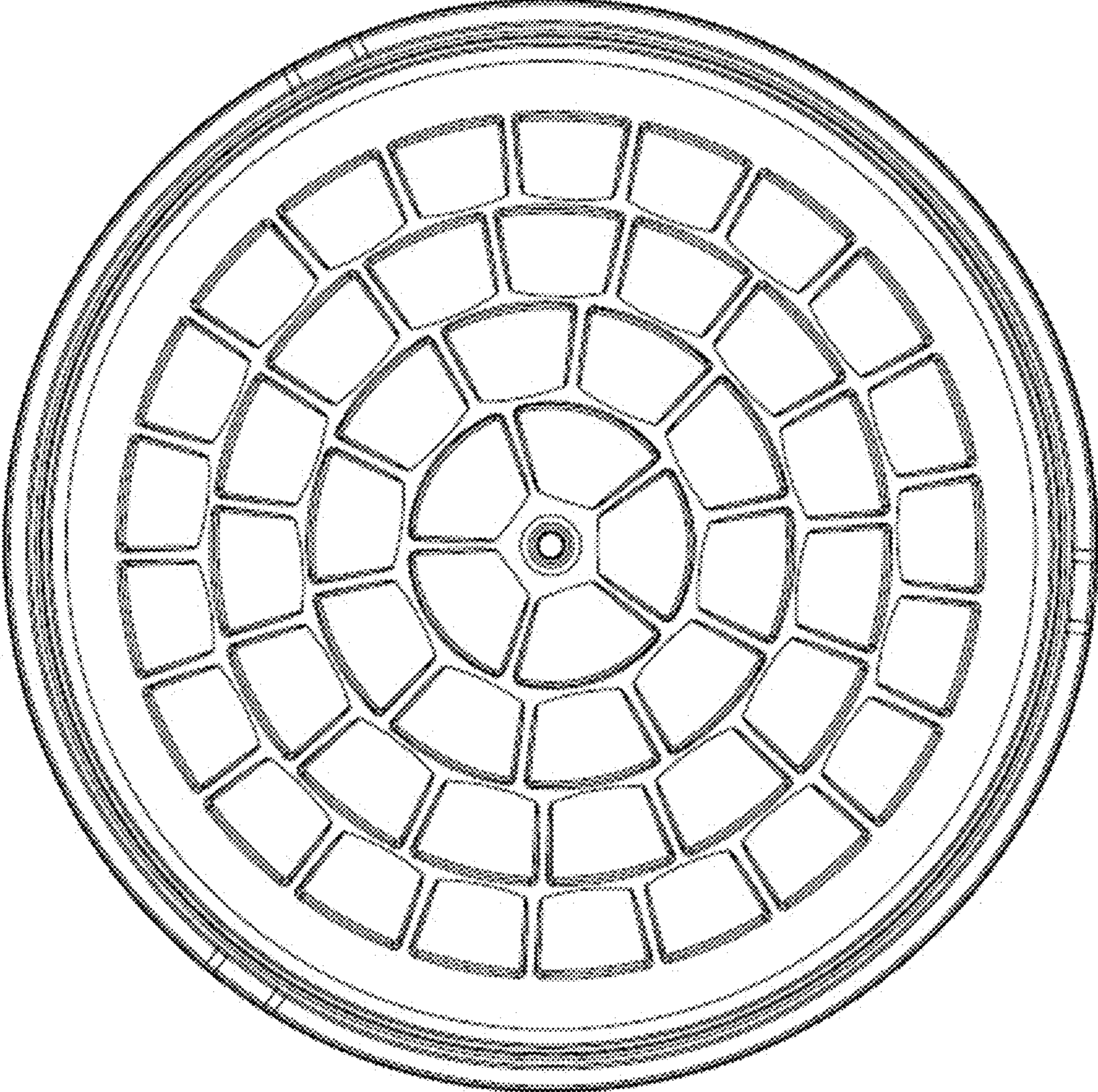


FIG. 1

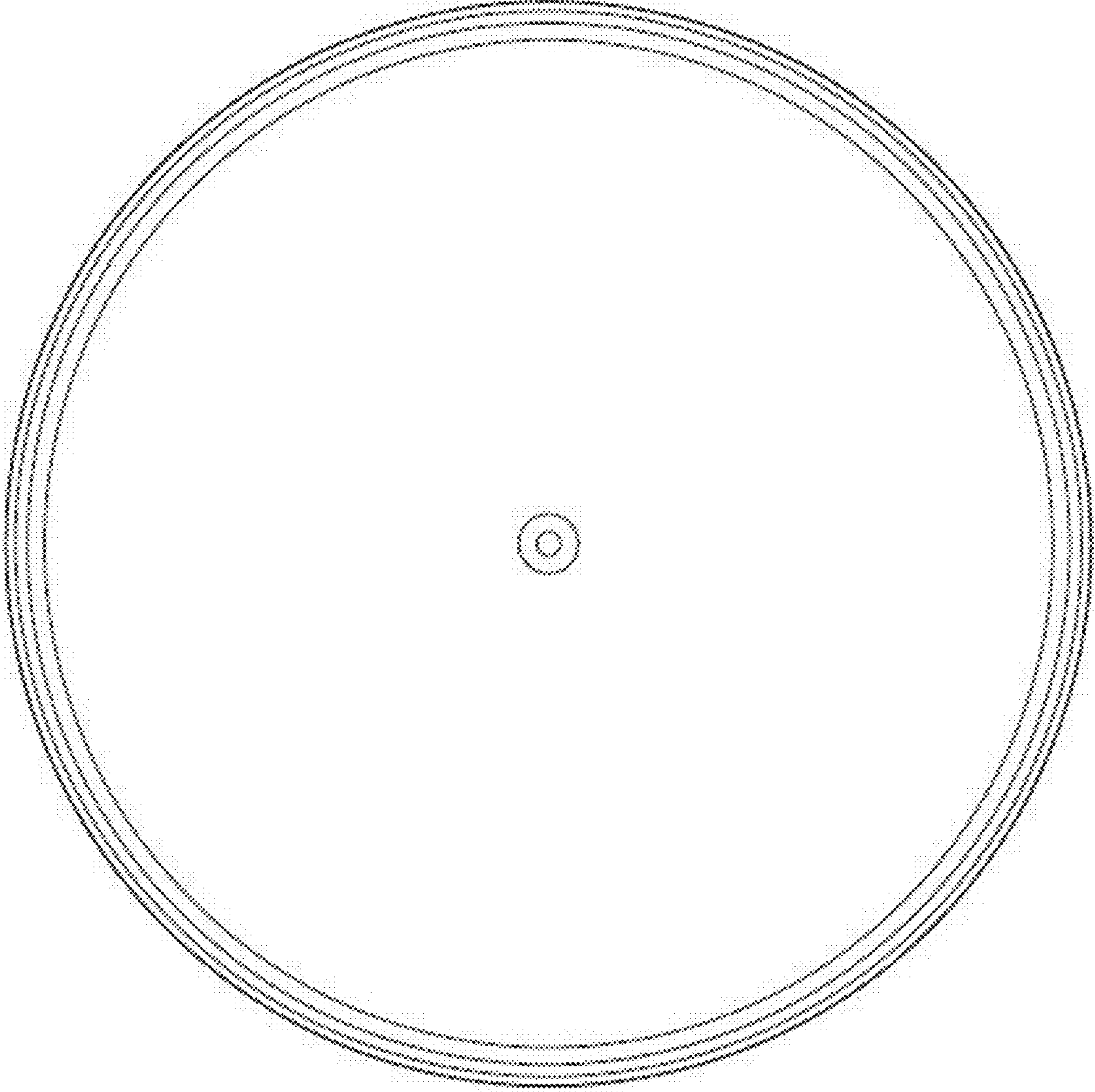


FIG. 2

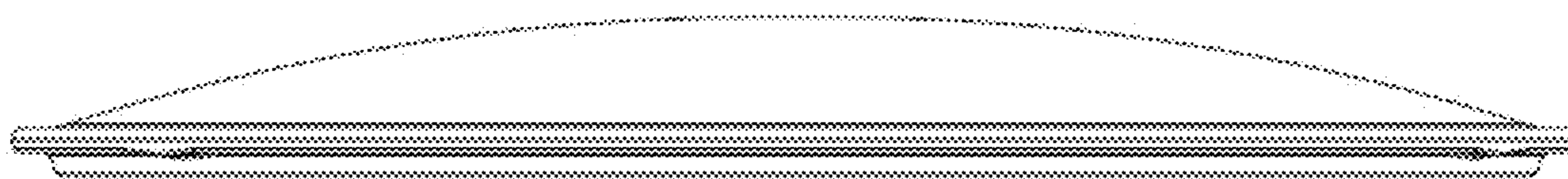


FIG. 3

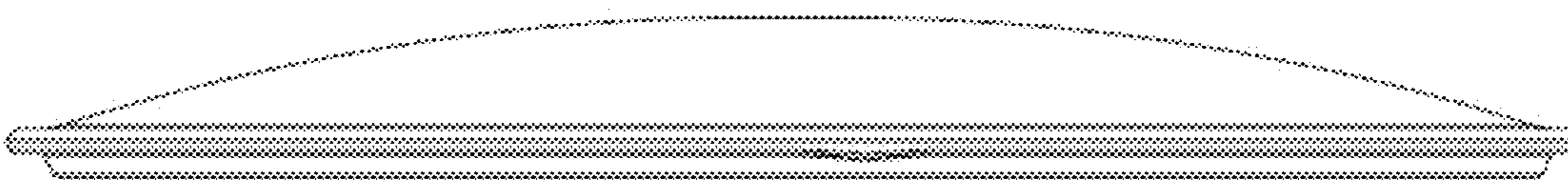


FIG. 4

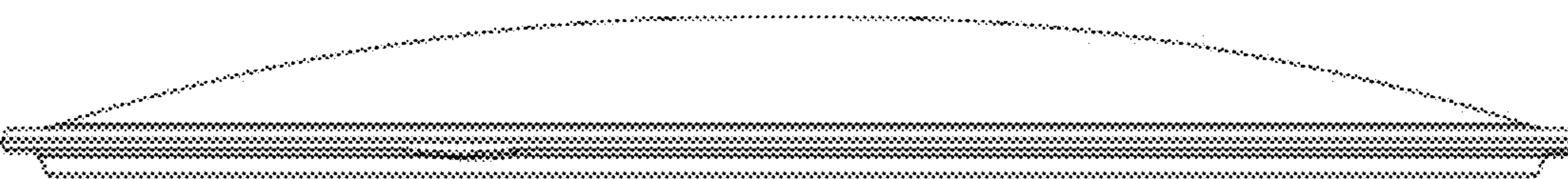


FIG. 5

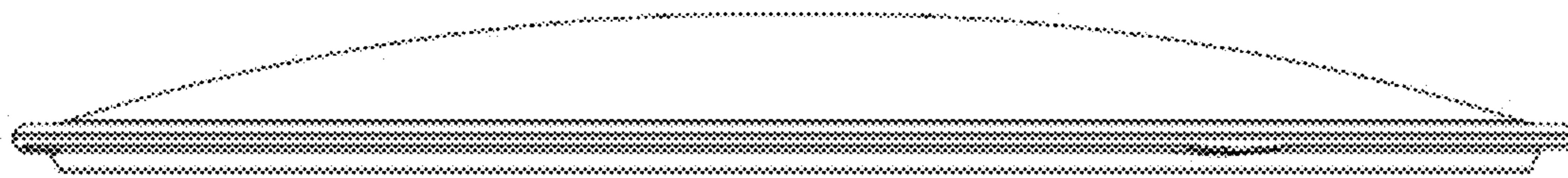


FIG. 6

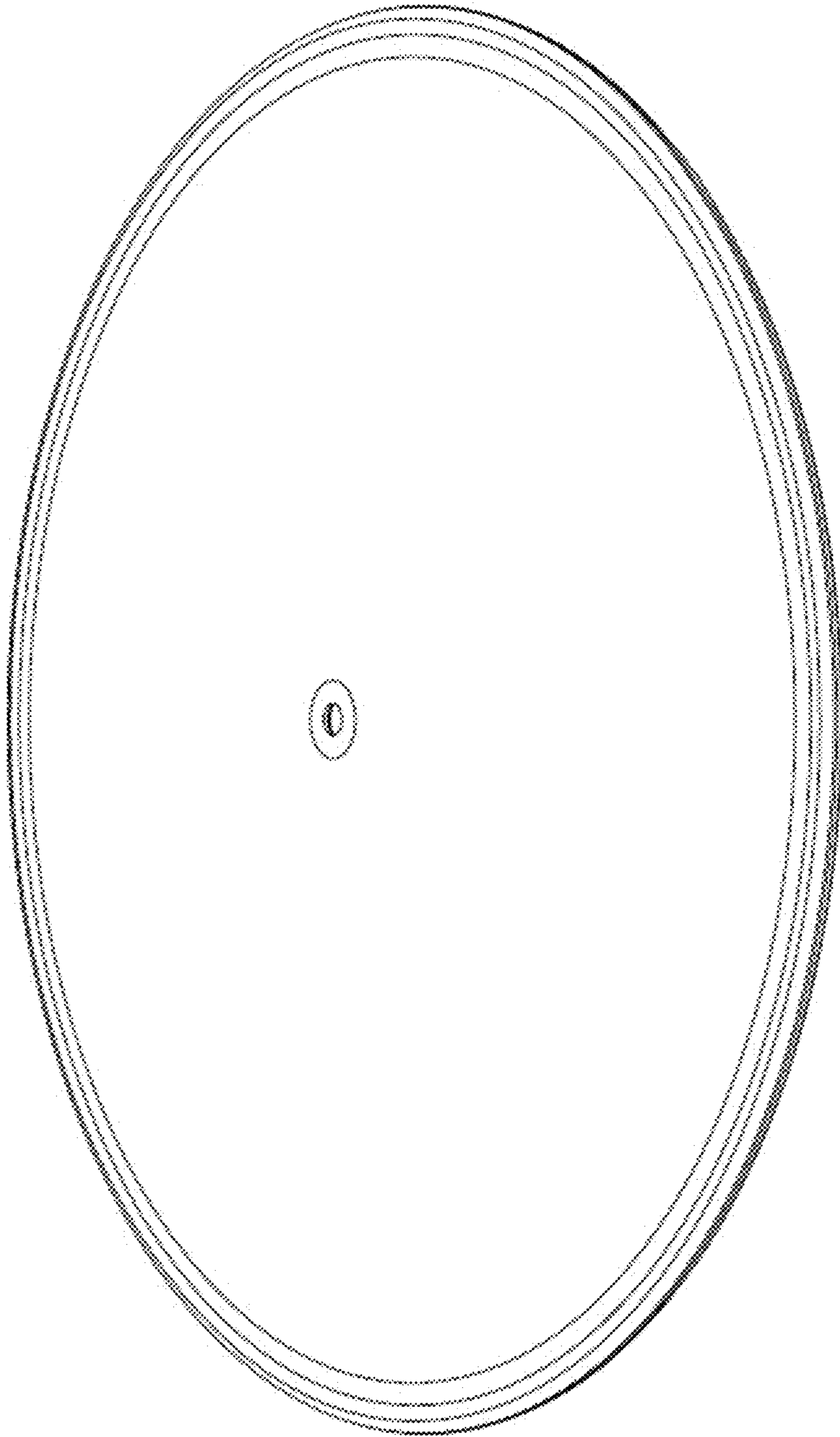


FIG. 7

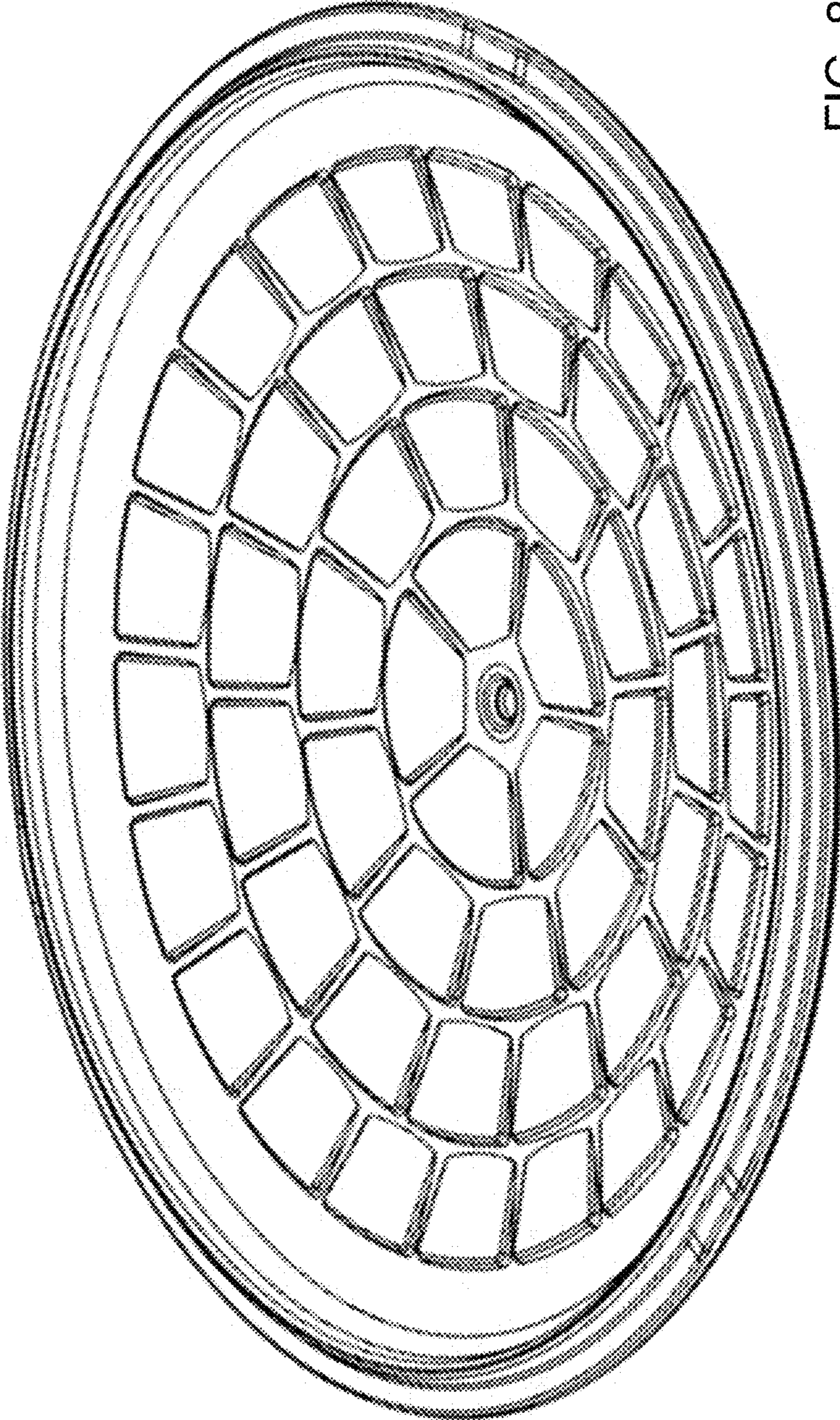


FIG. 8