



US00D732879S

(12) **United States Design Patent**  
**Miles**

(10) **Patent No.:** **US D732,879 S**

(45) **Date of Patent:** **\*\* Jun. 30, 2015**

(54) **PARTIALLY TRANSPARENT LID FOR A COOKING DEVICE**

(71) Applicant: **Derrick Miles**, Raleigh, NC (US)

(72) Inventor: **Derrick Miles**, Raleigh, NC (US)

(\*\*) Term: **14 Years**

(21) Appl. No.: **29/478,311**

(22) Filed: **Jan. 3, 2014**

(51) **LOC (10) Cl.** ..... **07-02**

(52) **U.S. Cl.**  
USPC ..... **D7/391**; D7/354; D7/362

(58) **Field of Classification Search**  
USPC ..... D7/323, 332, 337, 354–363, 367, 391,  
D7/391.2, 393–396, 409; 99/324, 331,  
99/339–340, 403, 425–426, 444–445;  
126/373.1, 383.1–384.1, 390.1;  
219/438–439, 620–622;  
220/573.1–573.5, 752–753, 755–759,  
220/912; 222/465.1, 470, 475.1  
CPC ..... A47G 19/12; A47J 27/00; A47J 27/002;  
A47J 27/08; A47J 27/21; A47J 27/58; A47J  
36/025; A47J 36/06; A47J 36/12; A47J 37/00;  
A47J 37/10; A47J 37/101; A47J 37/103;  
A47J 37/12; A47J 37/1204; A47J 45/061;  
A47J 45/071; A47J 45/08; H05B 6/12

See application file for complete search history.

(56) **References Cited**

U.S. PATENT DOCUMENTS

D168,905 S *	2/1953	O'Connell	.....	D7/355
D197,243 S *	12/1963	Ernset	.....	D7/360
D205,150 S *	6/1966	Cornwell	.....	D7/391
D207,861 S *	6/1967	Felske	.....	D7/360
D270,596 S *	9/1983	Gallagher et al.	.....	D7/392.1
D414,982 S *	10/1999	Hopkins et al.	.....	D7/362
D415,925 S *	11/1999	Pai	.....	D7/337
D437,183 S *	2/2001	Wong et al.	.....	D7/362
D464,227 S *	10/2002	Eisinger et al.	.....	D7/332
D505,045 S *	5/2005	Assmann	.....	D7/367
D523,285 S *	6/2006	Wells, Sr.	.....	D7/355
D620,746 S *	8/2010	Hsiao et al.	.....	D7/362
D663,571 S *	7/2012	Chung	.....	D7/354

\* cited by examiner

*Primary Examiner* — Ricky Pham

(74) *Attorney, Agent, or Firm* — Padowitz Alce

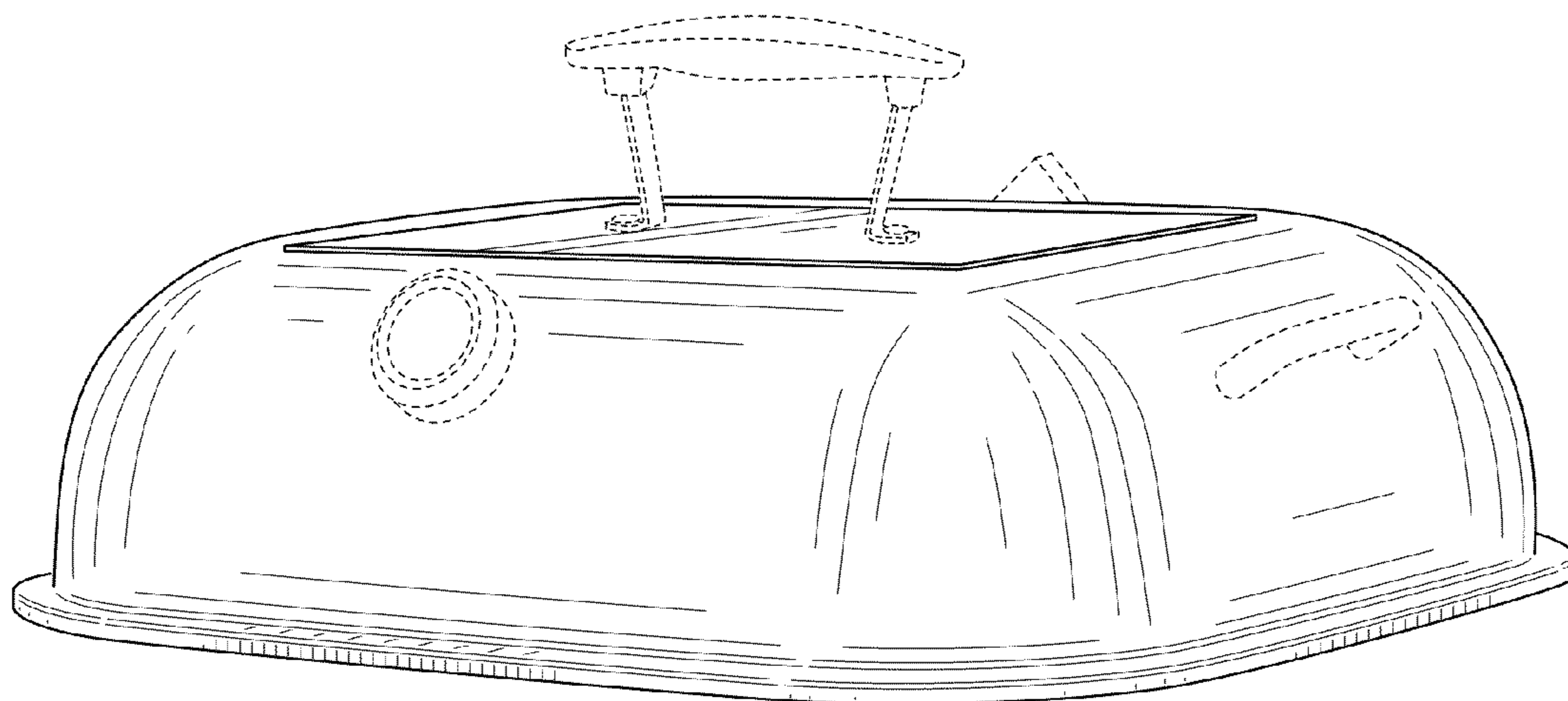
(57) **CLAIM**

The ornamental design for a partially transparent lid for a cooking device, as shown and described.

**DESCRIPTION**

FIG. 1 is a right-side perspective view of a lid showing my new design;  
FIG. 2 is a front elevation view thereof;  
FIG. 3 is a back elevation view thereof;  
FIG. 4 is a right elevation view thereof;  
FIG. 5 is a left elevation view thereof;  
FIG. 6 is a top plan view thereof; and,  
FIG. 7 is a bottom plan view thereof.  
The broken lines shown in the drawings are shown for illustrating unclaimed portions of the article and presently, form no part of the claimed design.

**1 Claim, 5 Drawing Sheets**



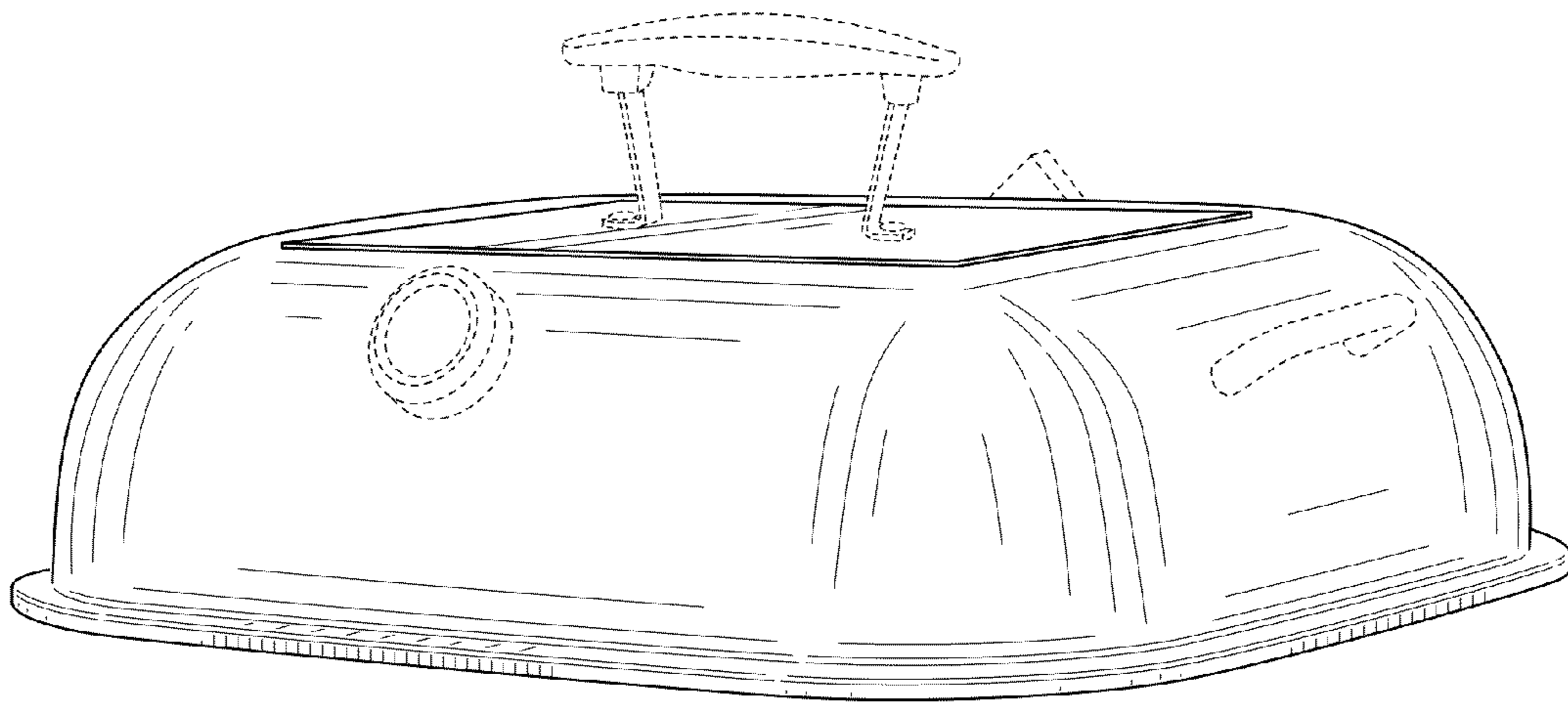


FIG. 1

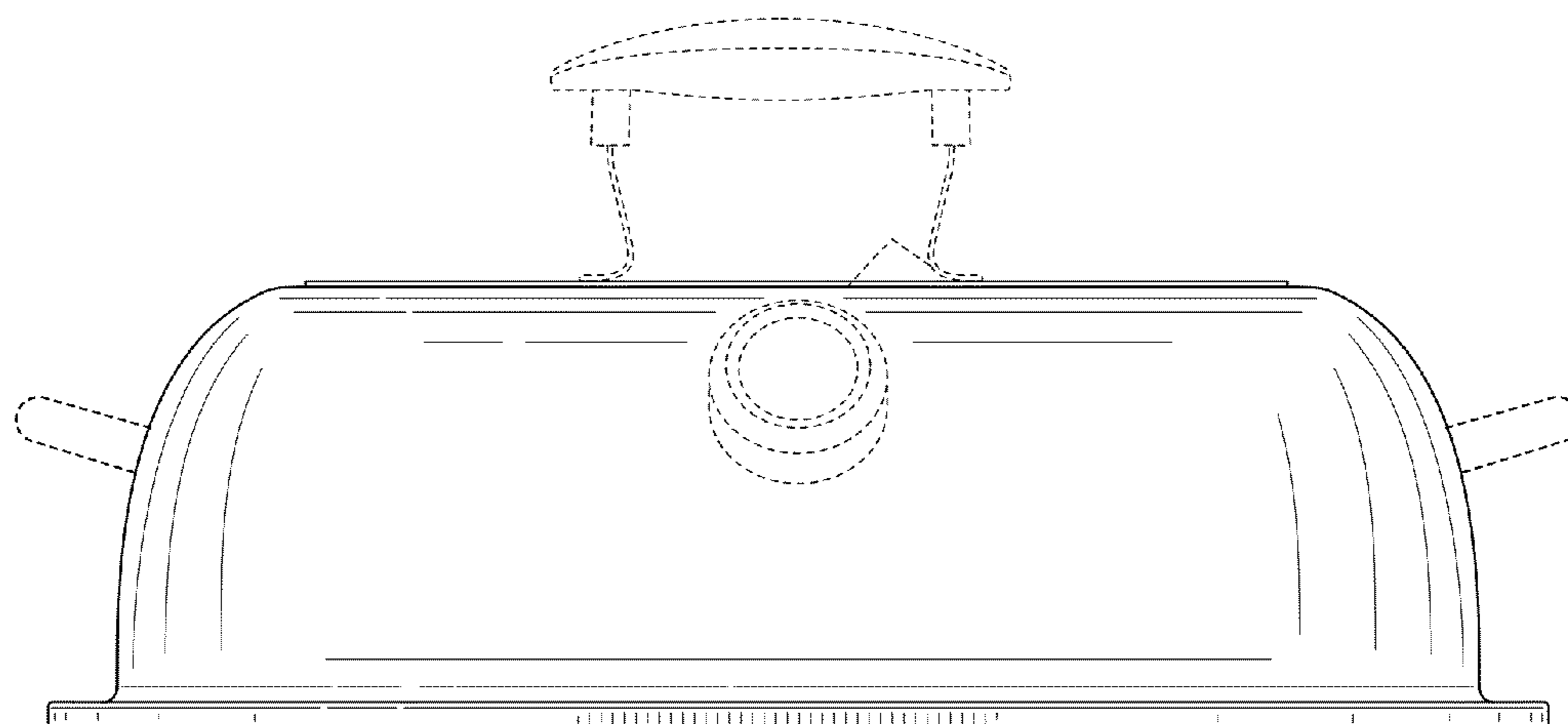


FIG. 2

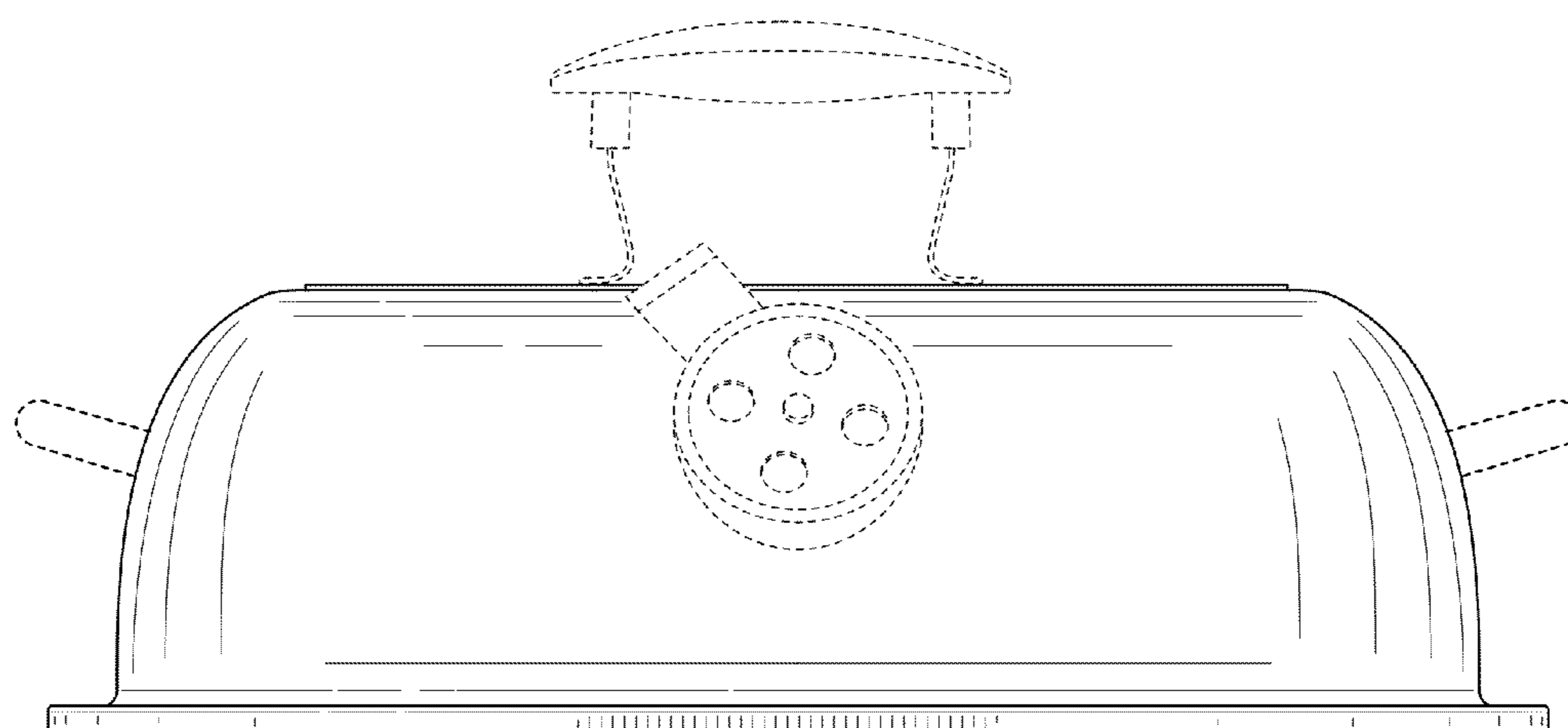


FIG. 3

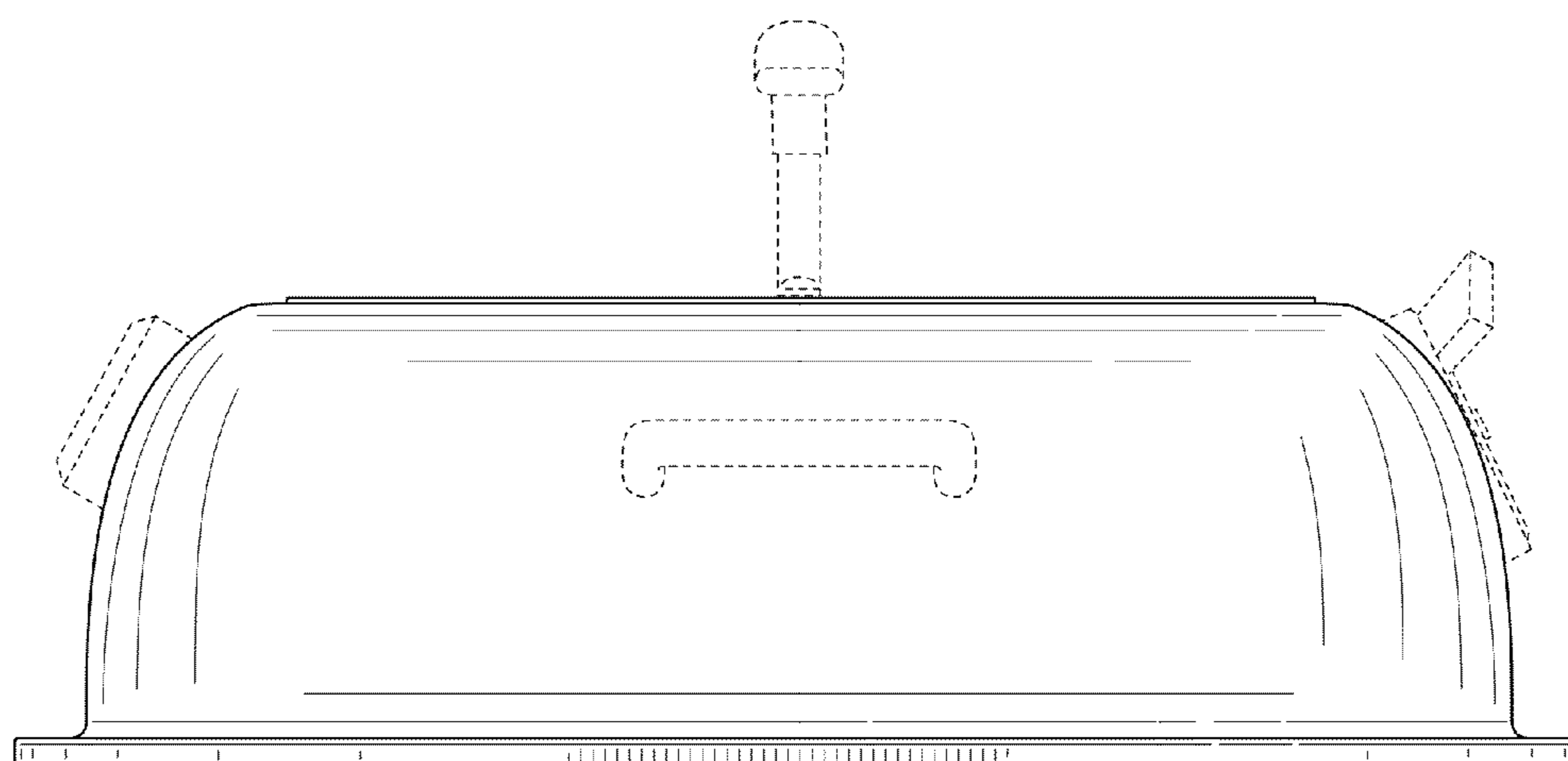


FIG. 4

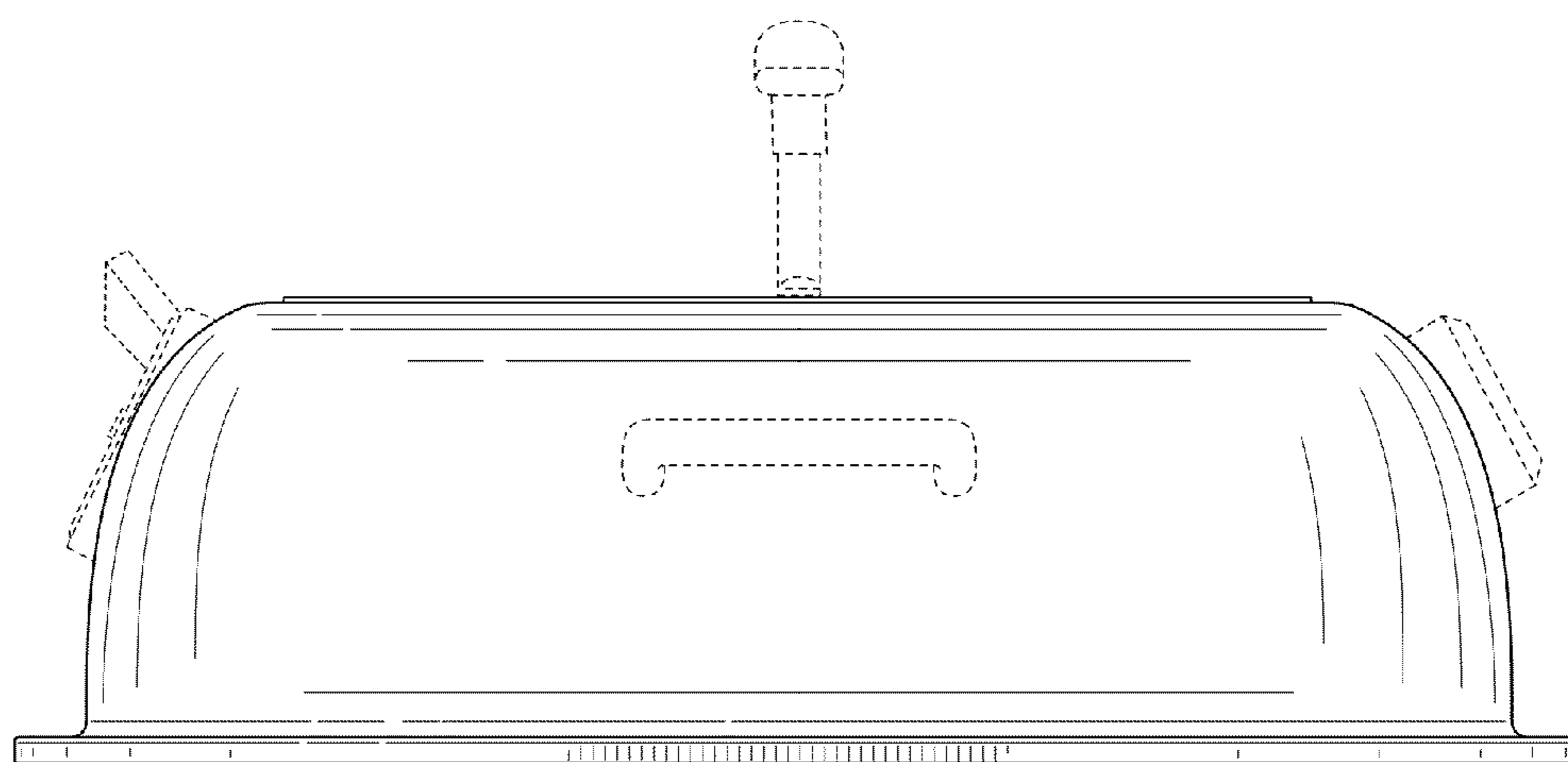


FIG. 5

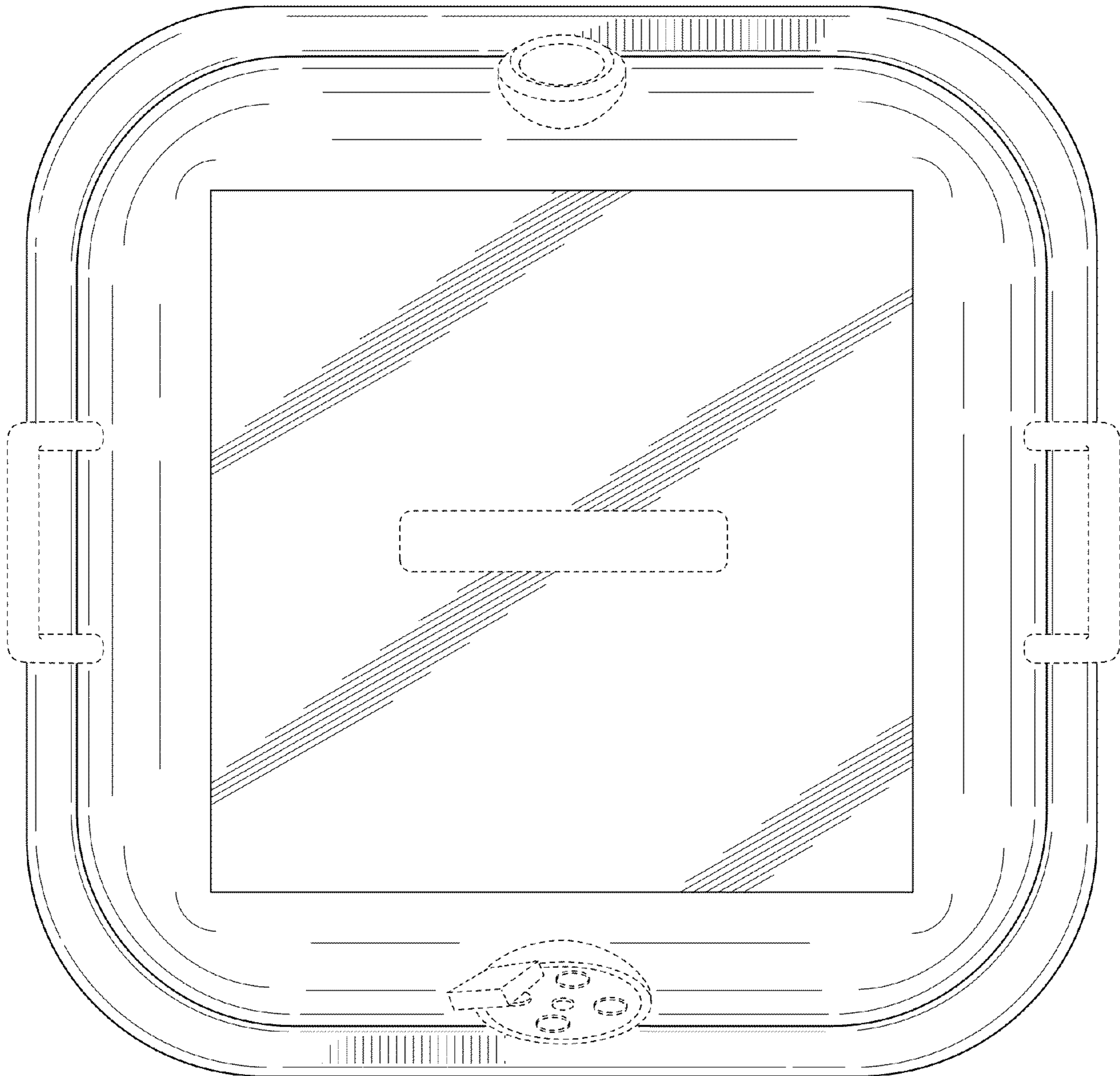


FIG. 6

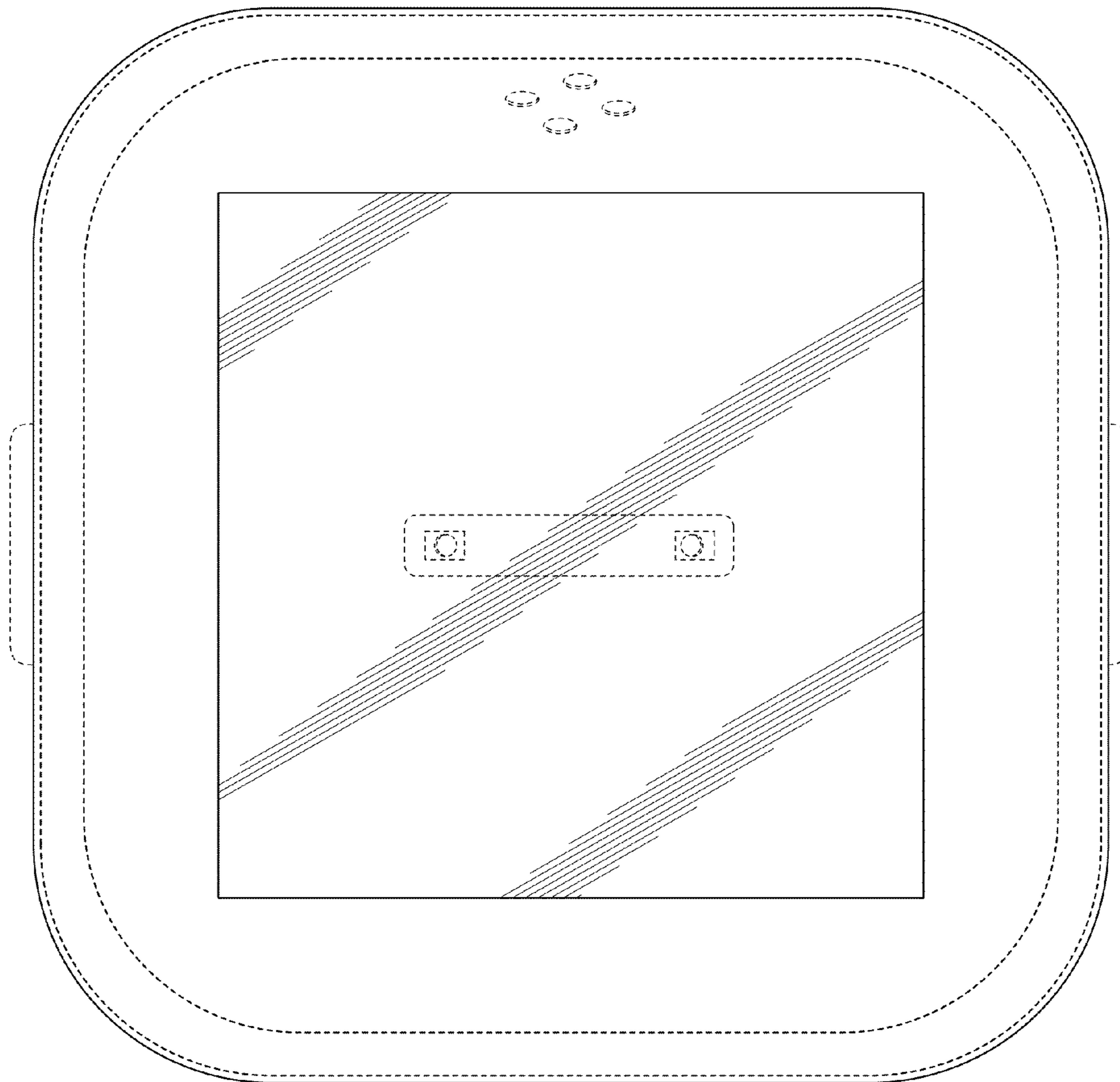


FIG. 7