

US00D732877S

(12) **United States Design Patent**  
**Ventimeglia et al.**

(10) **Patent No.:** **US D732,877 S**  
(45) **Date of Patent:** **\*\* Jun. 30, 2015**

(54) **PIZZA PAN**

(71) Applicants: **Jamie Joseph Ventimeglia**, Macomb, MI (US); **Thomas Joseph Ventimeglia**, Macomb, MI (US); **Joel Michael Ventimeglia**, Macomb, MI (US)

(72) Inventors: **Jamie Joseph Ventimeglia**, Macomb, MI (US); **Thomas Joseph Ventimeglia**, Macomb, MI (US); **Joel Michael Ventimeglia**, Macomb, MI (US)

(\*\*) Term: **14 Years**

(21) Appl. No.: **29/488,421**

(22) Filed: **Apr. 18, 2014**

**Related U.S. Application Data**

(62) Division of application No. 29/461,476, filed on Jul. 23, 2013, now Pat. No. Des. 711,678.

(51) **LOC (10) Cl.** ..... **07-02**

(52) **U.S. Cl.**  
USPC ..... **D7/354**

(58) **Field of Classification Search**  
USPC ..... D7/323, 354-361, 409, 543, 545, 549, D7/550.1, 553.1-553.8, 554.1-554.4, 555, D7/584, 586; D9/425, 430-433, 455-456, D9/737, 756-762; D24/204; D28/61; D30/129; 99/324, 422, 425-426, 432, 99/446, 448, DIG. 15; 219/450.1, 219/620-622, 725; 220/500, 506-507, 220/573.1-573.5, 574-575, 607-608, 220/752-753, 912; 229/903-904, 906  
CPC ..... A21B 3/00; A21B 3/13; A21B 3/15; A21B 3/132; A21B 3/134; A21B 5/00; A21B 5/02; A47J 36/022; A47J 36/025;

A47J 36/027; A47J 37/00; A47J 37/01; A47J 37/04; B65D 1/22; B65D 1/24; B65D 1/34; B65D 1/36; B65D 81/343; B65D 85/36  
See application file for complete search history.

(56) **References Cited**

U.S. PATENT DOCUMENTS

D199,593	S	*	11/1964	Reifers	.....	D9/425
3,640,209	A	*	2/1972	Wilson	.....	99/446
D242,052	S	*	10/1976	Van Ness	.....	D30/129
D309,234	S	*	7/1990	Howell	.....	D7/409
D493,256	S	*	7/2004	Kim	.....	D28/61
7,775,392	B2	*	8/2010	Millsap et al.	.....	220/573.1
D626,380	S	*	11/2010	Harris	.....	D7/553.1
D660,444	S	*	5/2012	Tran	.....	D24/204
D679,144	S	*	4/2013	Holdings et al.	.....	D7/554.3
D689,327	S	*	9/2013	Ortegon et al.	.....	D7/354
D711,678	S	*	8/2014	Ventimeglia et al.	.....	D7/354
2014/0020570	A1	*	1/2014	Ventimeglia et al.	.....	99/448

\* cited by examiner

*Primary Examiner* — Ricky Pham

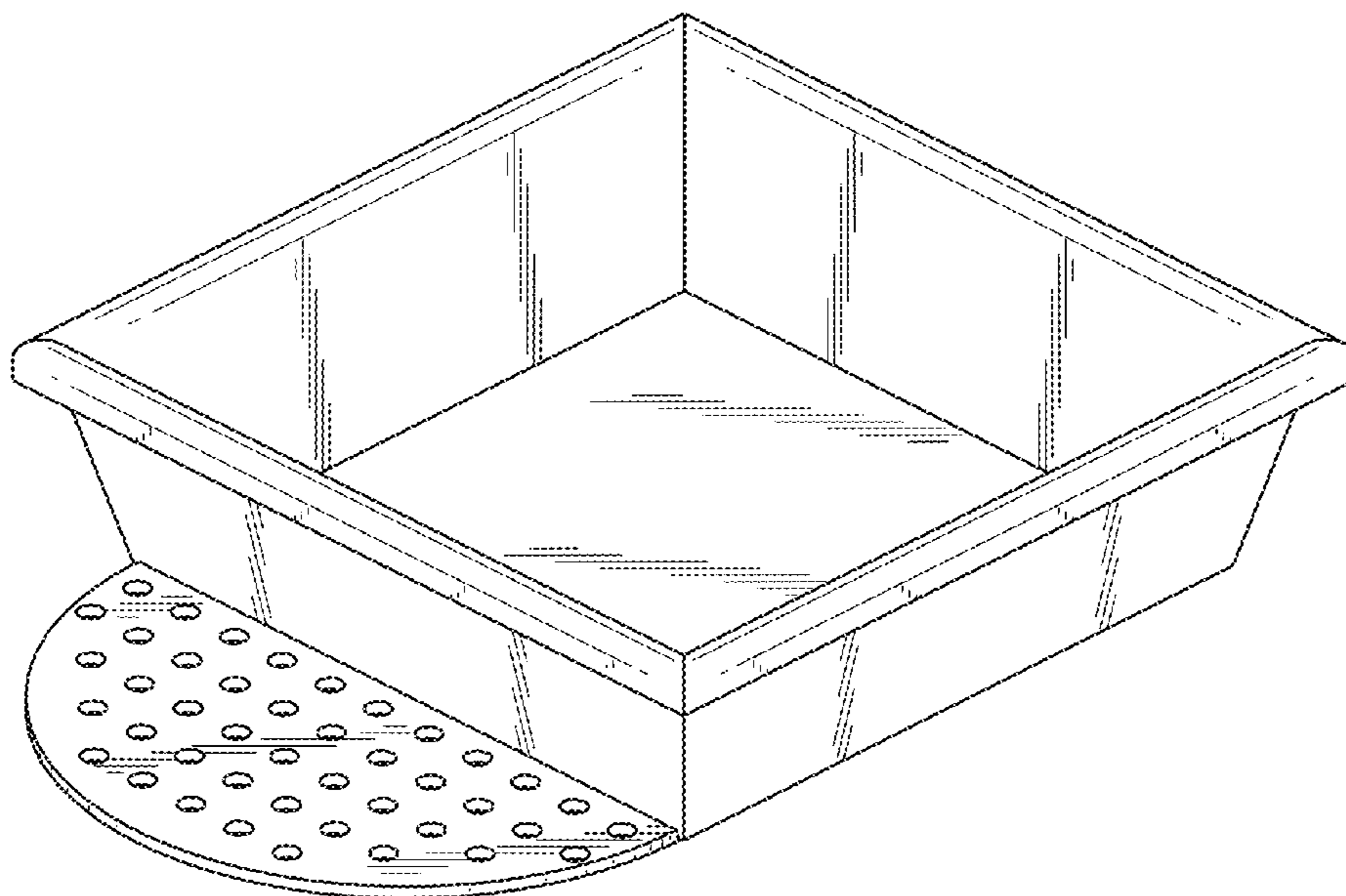
(57) **CLAIM**

The ornamental design for a pizza pan, as shown and described.

**DESCRIPTION**

FIG. 1 is a perspective front view of a half round, half square pizza pan;  
FIG. 2 is a front elevation view of the pizza pan;  
FIG. 3 is a rear elevation view of the pizza pan;  
FIG. 4 is a left side elevation view of the pizza pan; the right side view being a mirror image thereof;  
FIG. 5 is a top plan view of the pizza pan; and,  
FIG. 6 is a bottom plan view of the pizza pan.

**1 Claim, 3 Drawing Sheets**



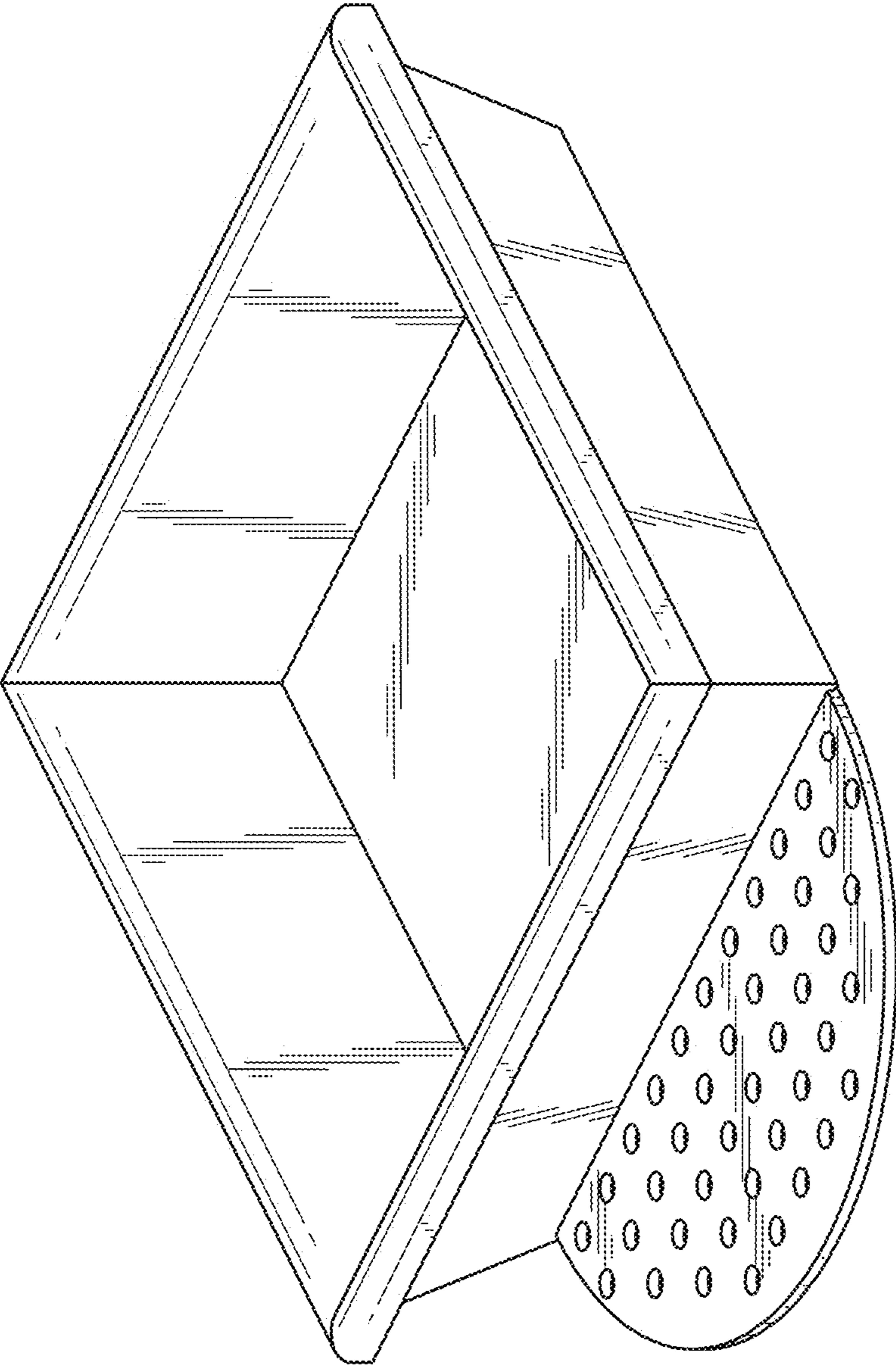


FIG. 1

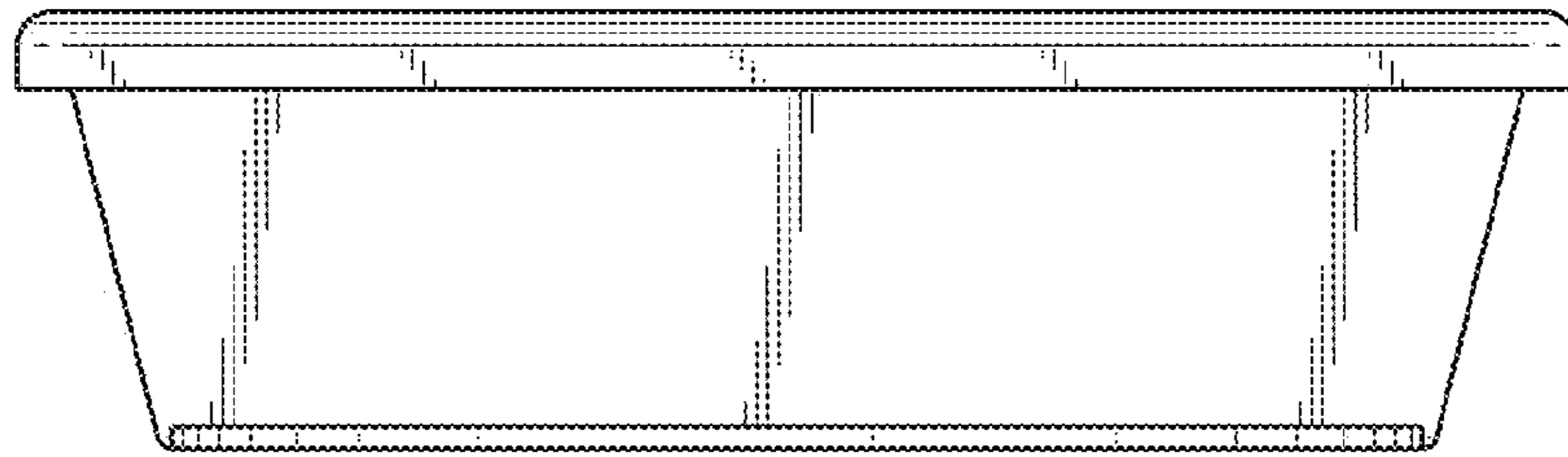


FIG. 2

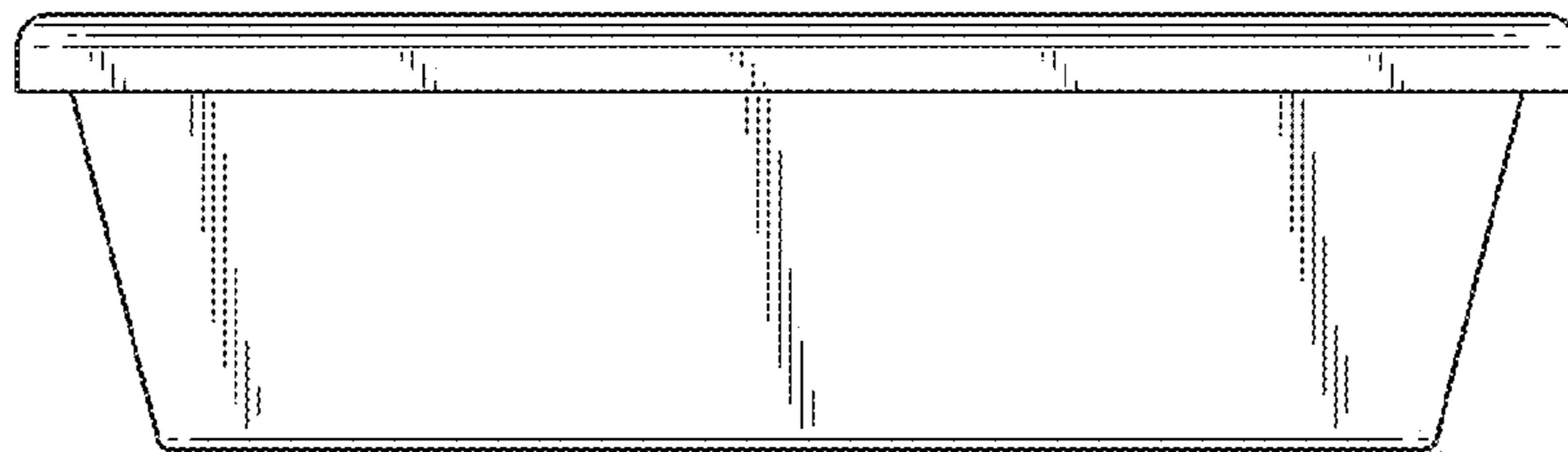


FIG. 3

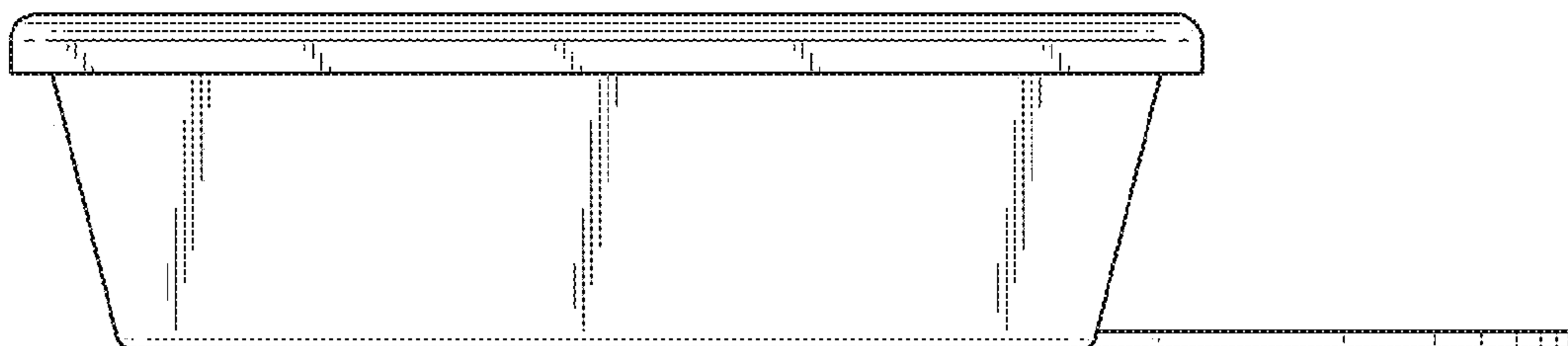


FIG. 4

