



US00D732874S

(12) **United States Design Patent**
Chung

(10) **Patent No.:** **US D732,874 S**
(45) **Date of Patent:** **** Jun. 30, 2015**

(54) **BARBECUE GRILL**

(71) Applicant: **Kiosky Chung**, Taichung (TW)

(72) Inventor: **Kiosky Chung**, Taichung (TW)

(**) Term: **14 Years**

(21) Appl. No.: **29/480,790**

(22) Filed: **Jan. 29, 2014**

(51) **LOC (10) Cl.** **07-02**

(52) **U.S. Cl.**
USPC **D7/334**

(58) **Field of Classification Search**
USPC D7/332, 334-337, 402-405, 416-417
CPC A47J 37/0704; A47J 37/0763; A47J
37/0745; A47J 37/0713; A23B 4/052; F24C
3/14; F24C 3/027; F24B 1/205
See application file for complete search history.

(56) **References Cited**

U.S. PATENT DOCUMENTS

D569,168 S * 5/2008 Pai D7/334
D582,715 S * 12/2008 Pai D7/334
D614,434 S * 4/2010 Proffitt et al. D7/334

D618,852 S * 6/2010 Christie et al. D28/47
D621,201 S * 8/2010 Proffitt et al. D7/334
D671,788 S * 12/2012 Slater D7/334

* cited by examiner

Primary Examiner — Ruth McInroy

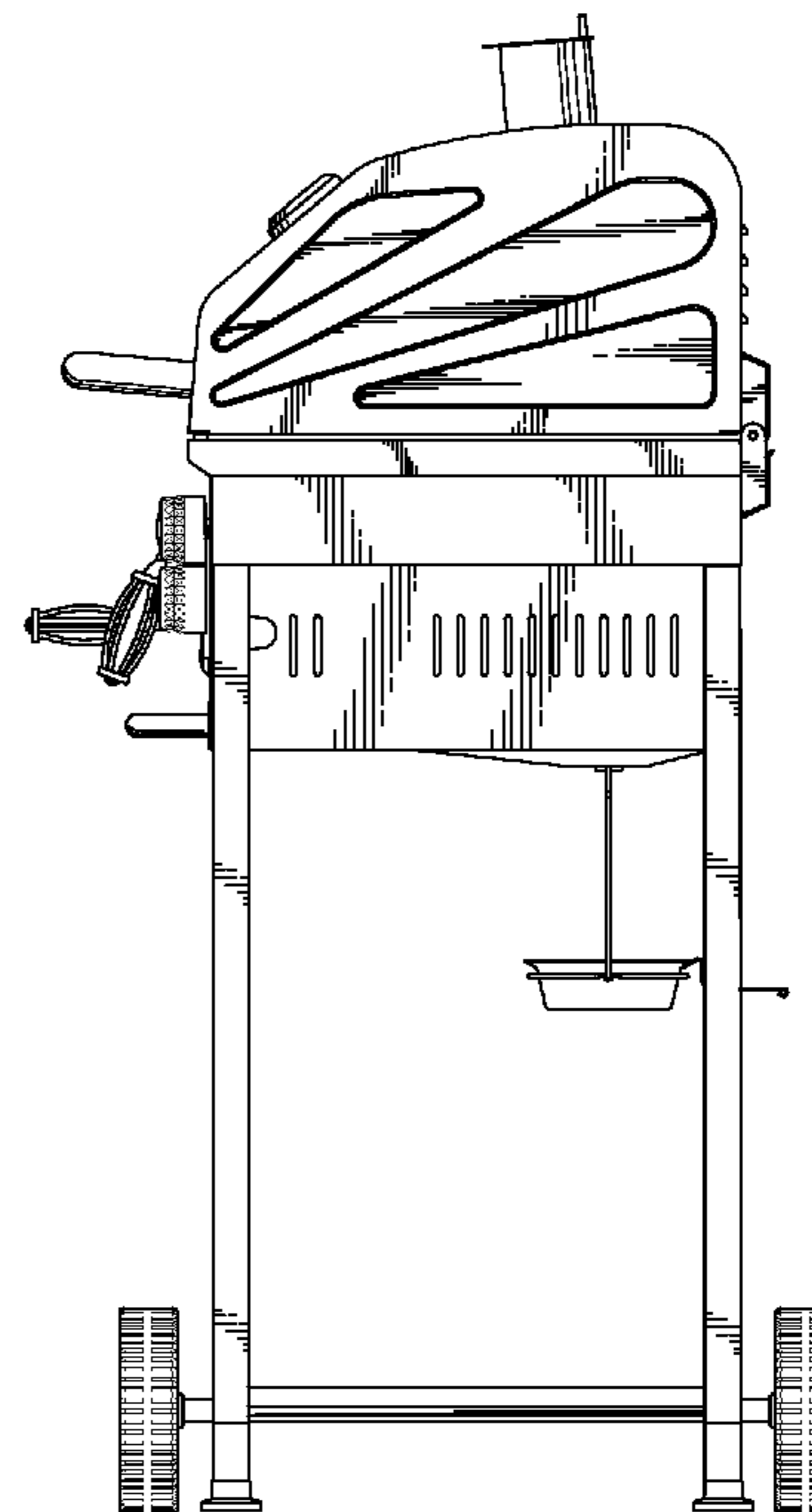
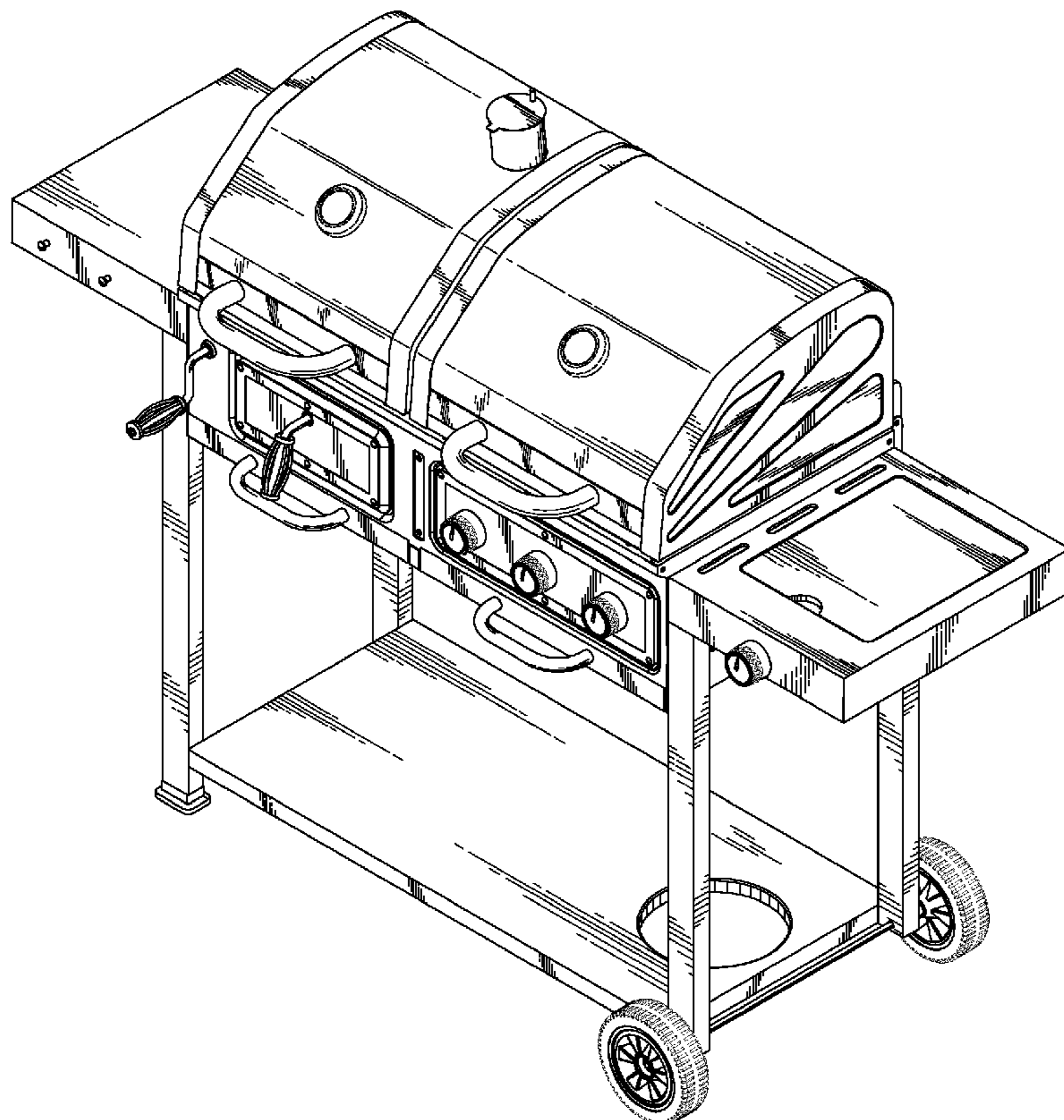
(57) **CLAIM**

I claim the ornamental design for a barbecue grill, as shown and described.

DESCRIPTION

FIG. 1 is a perspective view of a barbecue grill in accordance with the preferred embodiment of the present invention, showing my design;
FIG. 2 is a front view of the barbecue grill shown in FIG. 1;
FIG. 3 is a rear view of the barbecue grill shown in FIG. 1;
FIG. 4 is a left side view of the barbecue grill shown in FIG. 1;
FIG. 5 is a right side view of the barbecue grill shown in FIG. 1;
FIG. 6 is a top view of the barbecue grill shown in FIG. 1; and,
FIG. 7 is a bottom view of the barbecue grill shown in FIG. 1.
The details shown in broken lines form no part of the claimed design.

1 Claim, 7 Drawing Sheets



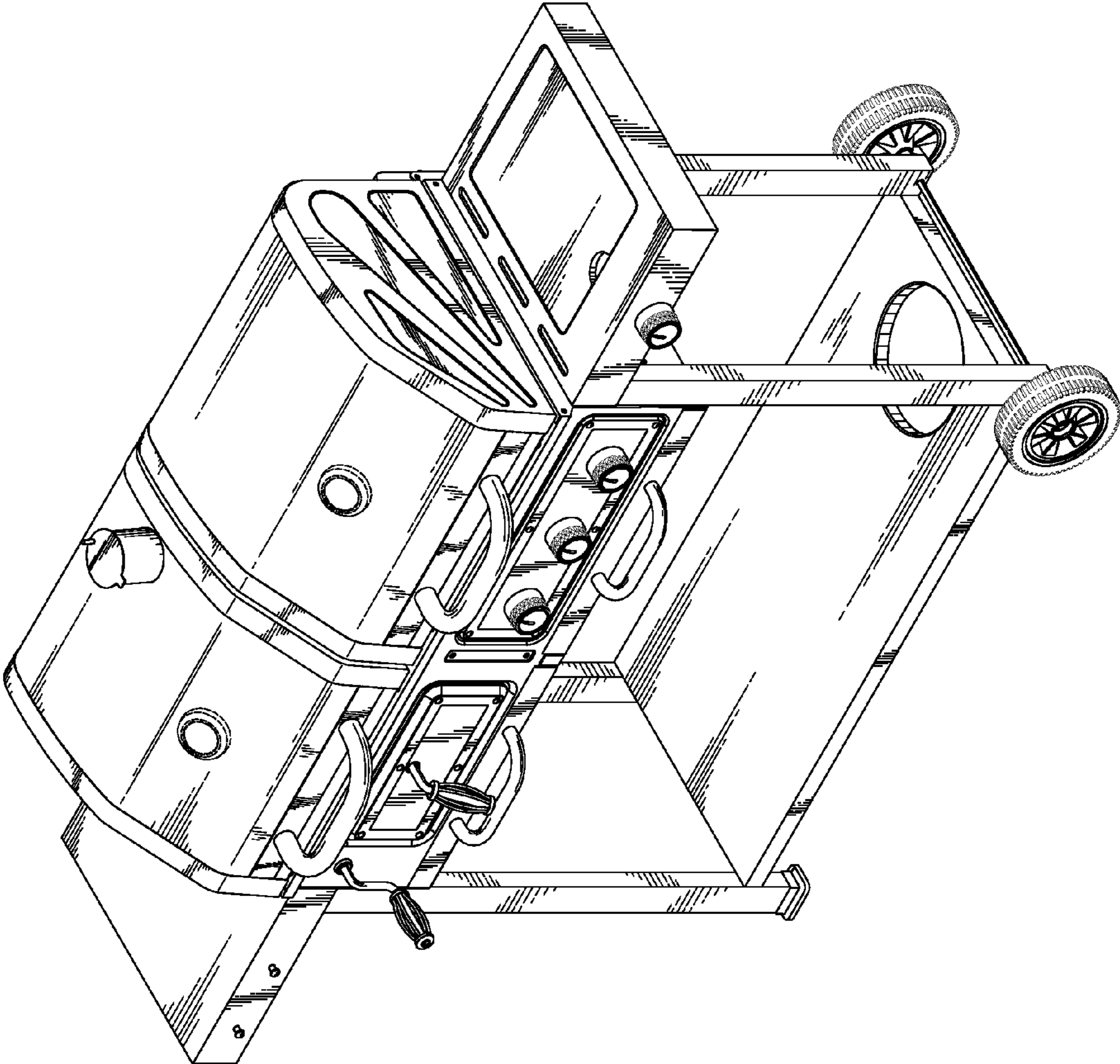


FIG. 1

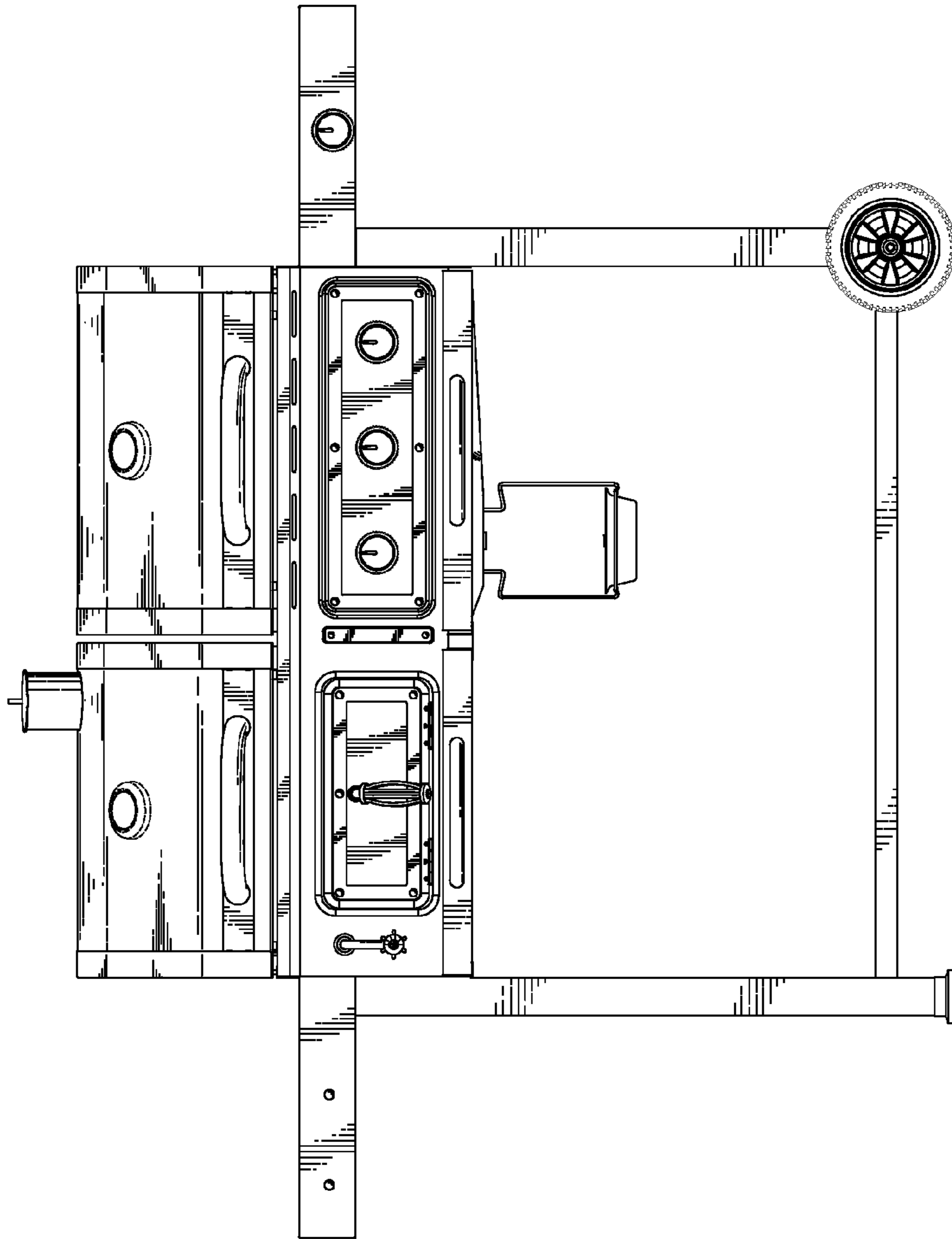


FIG. 2

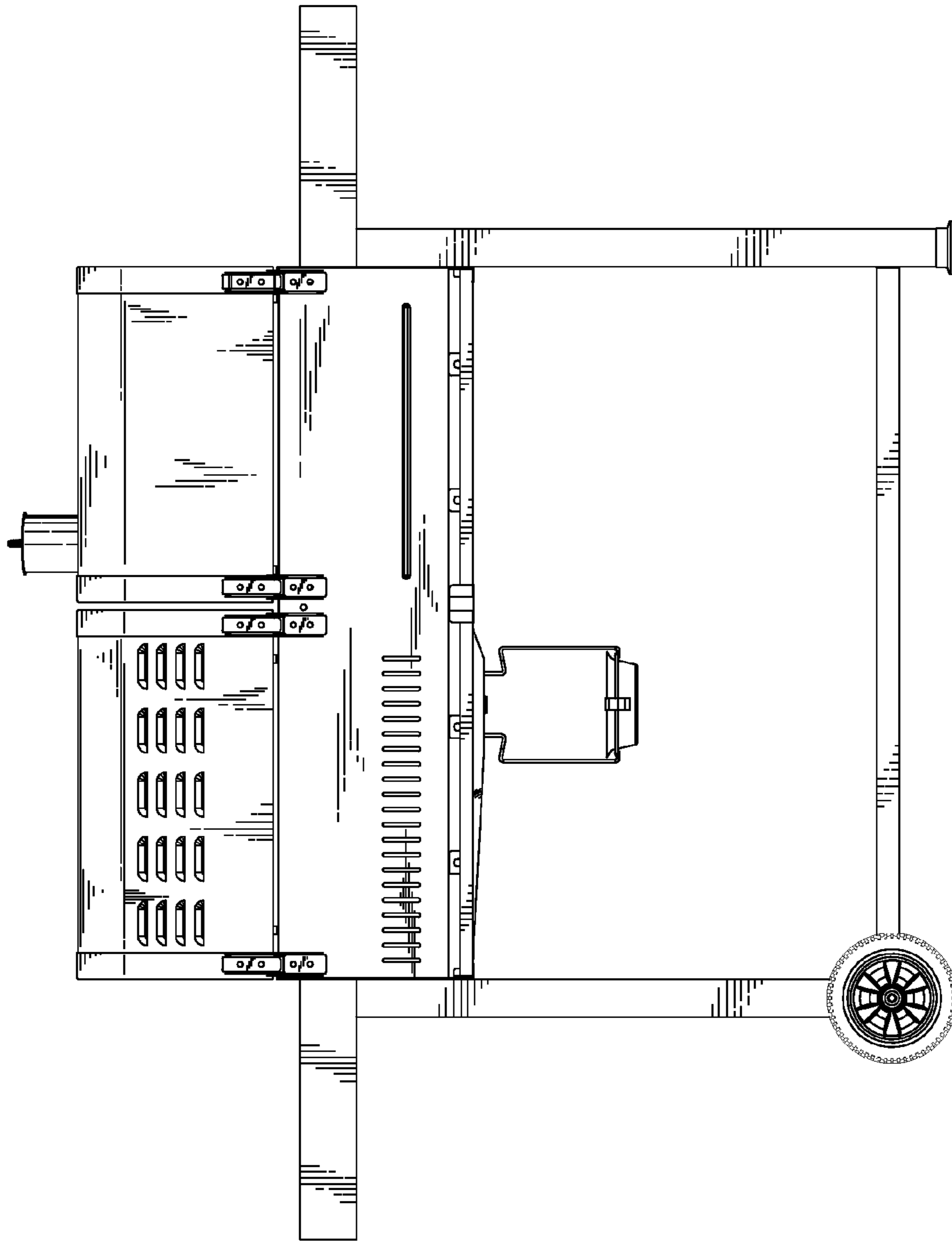


FIG. 3

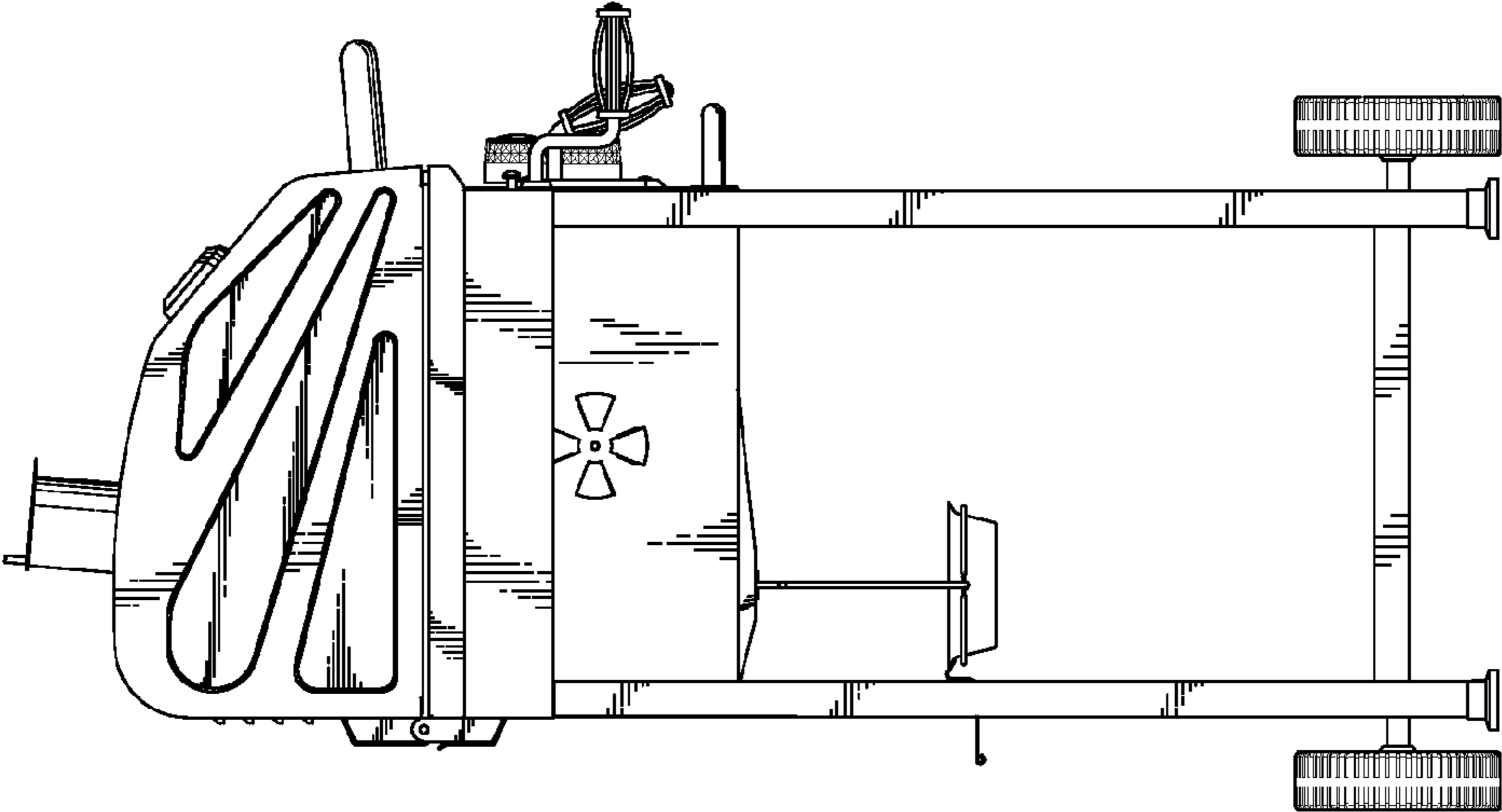


FIG. 4

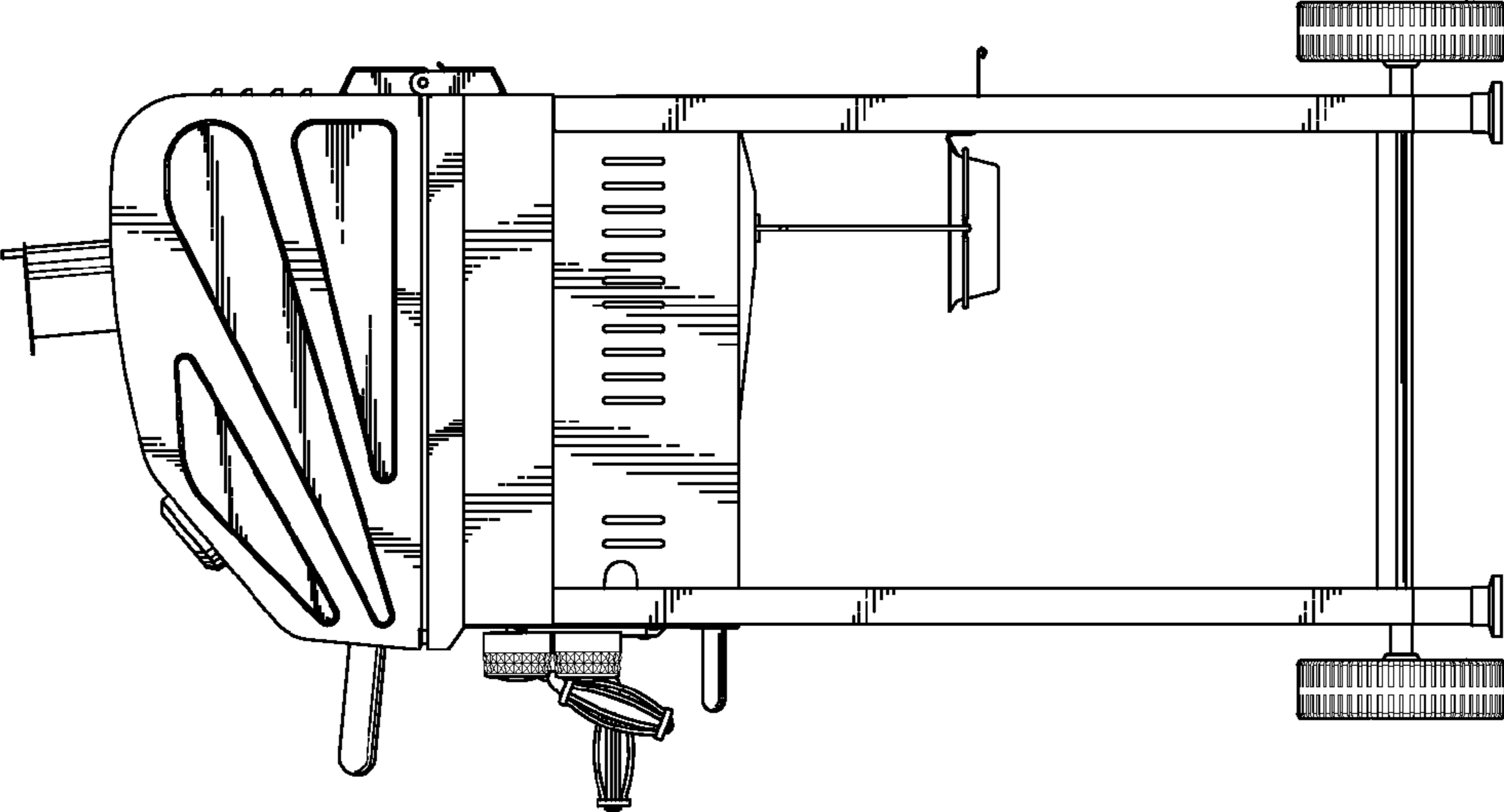


FIG. 5

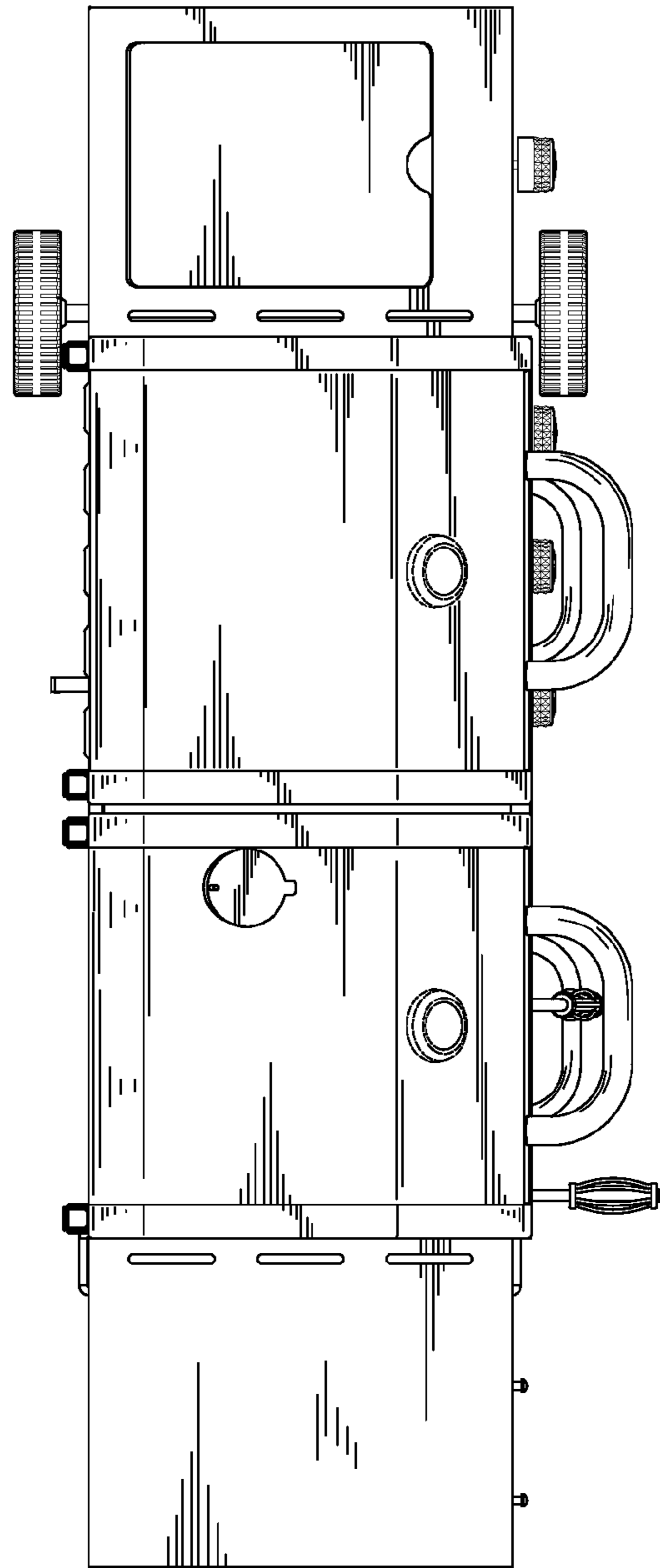


FIG. 6

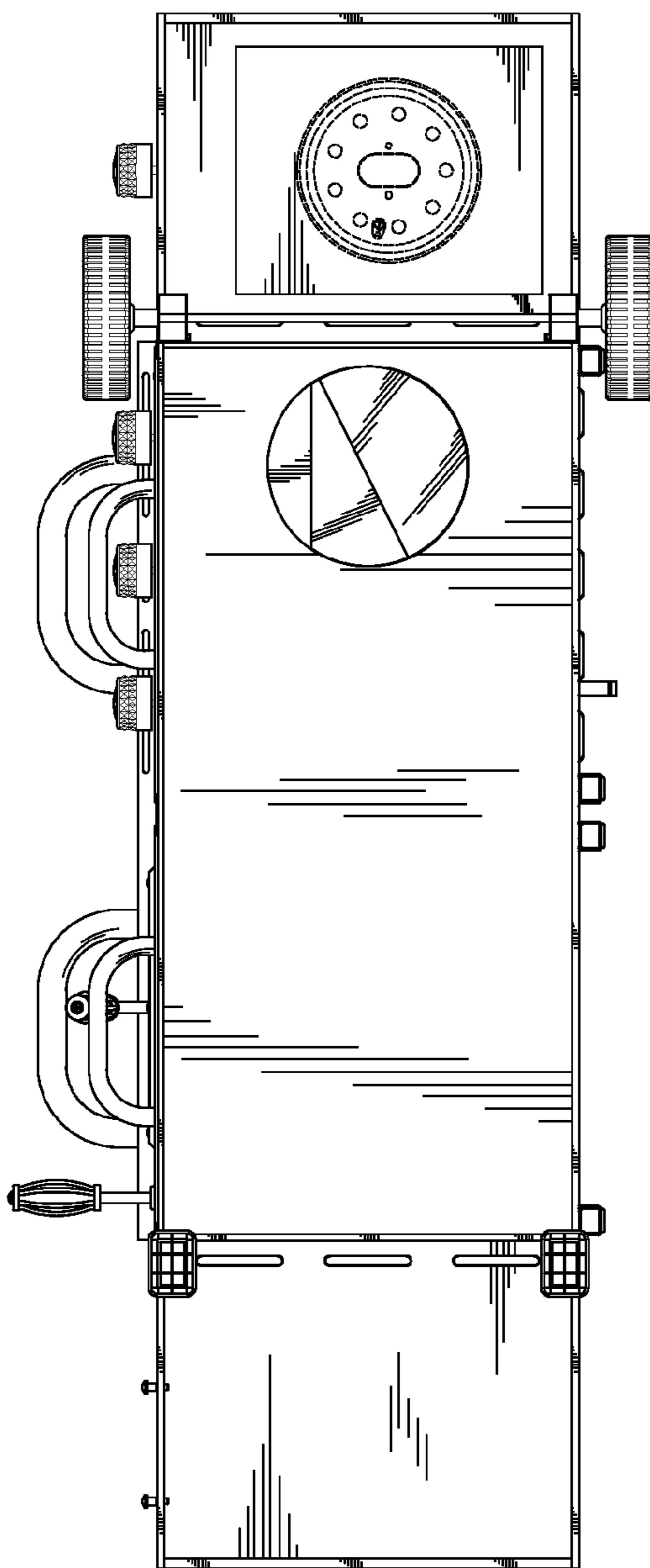


FIG. 7