

US00D732873S

(12) **United States Design Patent**
Kinney

(10) **Patent No.:** **US D732,873 S**
(45) **Date of Patent:** **** Jun. 30, 2015**

(54) **MICROWAVE TACO SHELL WITH CLOSED ENDS**

(71) Applicant: **Bradford D. Kinney**, Costa, CA (US)

(72) Inventor: **Bradford D. Kinney**, Costa, CA (US)

(**) Term: **14 Years**

(21) Appl. No.: **29/483,486**

(22) Filed: **Feb. 28, 2014**

(51) **LOC (10) Cl.** **07-02**

(52) **U.S. Cl.**
USPC **D7/323**

(58) **Field of Classification Search**
USPC D1/122; D7/323, 354-361, 543, 545,
D7/549, 550.1, 553.1-553.8, 554.1-554.4,
D7/555, 584, 586, 672, 687-688;
D9/430-433, 455-456, 737, 756-762;
99/324, 403, 422, 425-426, 432,
99/DIG. 15; 206/557; 219/450.1, 620-622,
219/725; 220/500, 506-507, 573.1-573.5,
220/574-575, 607-608, 752-753, 912;
229/903-904, 906; 249/117; 294/7-8,
294/25, 32, 57, 59; 426/482
CPC A21B 3/00; A21B 3/003; A21B 3/13;
A21B 3/15; A21B 3/134; A21B 5/00; A21B
5/02; A41D 13/082; A47G 21/001; A47J
36/022; A47J 36/025; A47J 36/027; A47J
37/00; A47J 37/01; A47J 37/04; A47J
37/0694; A47J 37/1295; A47J 43/20; A47J
43/28; A47J 43/284; B65D 1/22; B65D 1/24;
B65D 1/34; B65D 1/36; B65D 81/343;
B65D 85/36

See application file for complete search history.

(56) **References Cited**

U.S. PATENT DOCUMENTS

2,627,222	A *	2/1953	Luna	99/403
2,814,981	A *	12/1957	Wendel	99/426
2,847,933	A *	8/1958	Pate	249/117
3,446,416	A *	5/1969	Epstein	206/557
3,555,993	A *	1/1971	Garcia	99/426
4,938,515	A *	7/1990	Fazio	294/25
D316,622	S *	5/1991	Popiel	D1/122
5,487,330	A *	1/1996	Mooney	99/425
5,628,245	A *	5/1997	Baze	99/426
D558,951	S *	1/2008	Proffitt	D1/122
D607,287	S *	1/2010	Beasley et al.	D7/687
8,061,268	B1 *	11/2011	McGuinness	99/422
D690,563	S *	10/2013	Kinney	D7/672

* cited by examiner

Primary Examiner — Ricky Pham

(74) *Attorney, Agent, or Firm* — Patent Law Offices of Rick Martin, P.C.

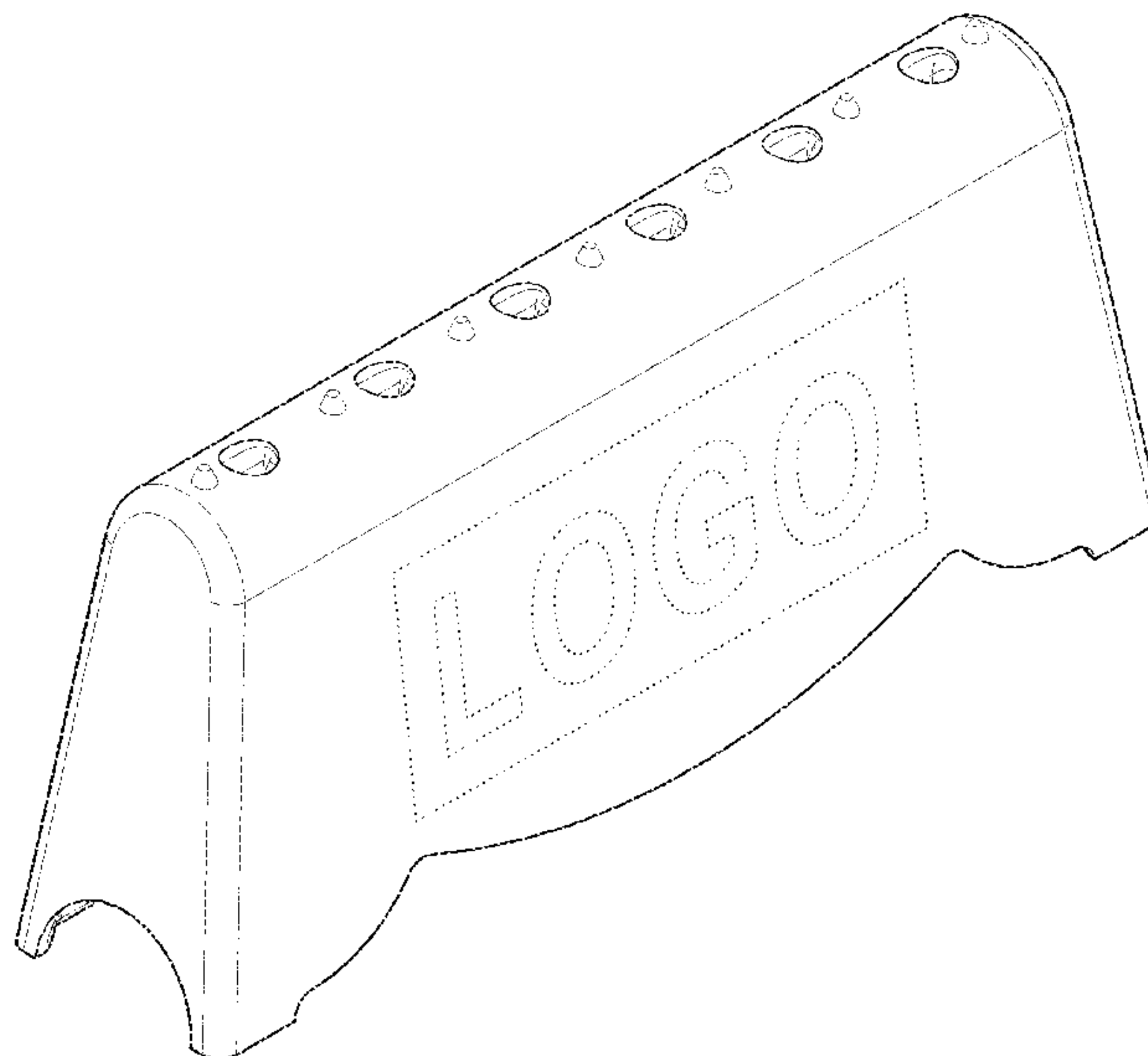
(57) **CLAIM**

The ornamental design for a microwave taco shell form with closed ends, as shown and described.

DESCRIPTION

FIG. 1 is a top perspective view of my new design for a microwave taco shell form with closed ends;
FIG. 2 is a bottom plan view of my new invention;
FIG. 3 is a top plan view of my new invention;
FIG. 4 is a front elevation view of my new invention which is identical to a rear elevation view;
FIG. 5 is a bottom perspective view of my new invention; and,
FIG. 6 is an enlarged left side elevation view of my new invention which is identical to the right side elevation view.
The broken lines indicating logo area are for purposes of illustrating a logo area and form no part of the claimed design.

1 Claim, 3 Drawing Sheets



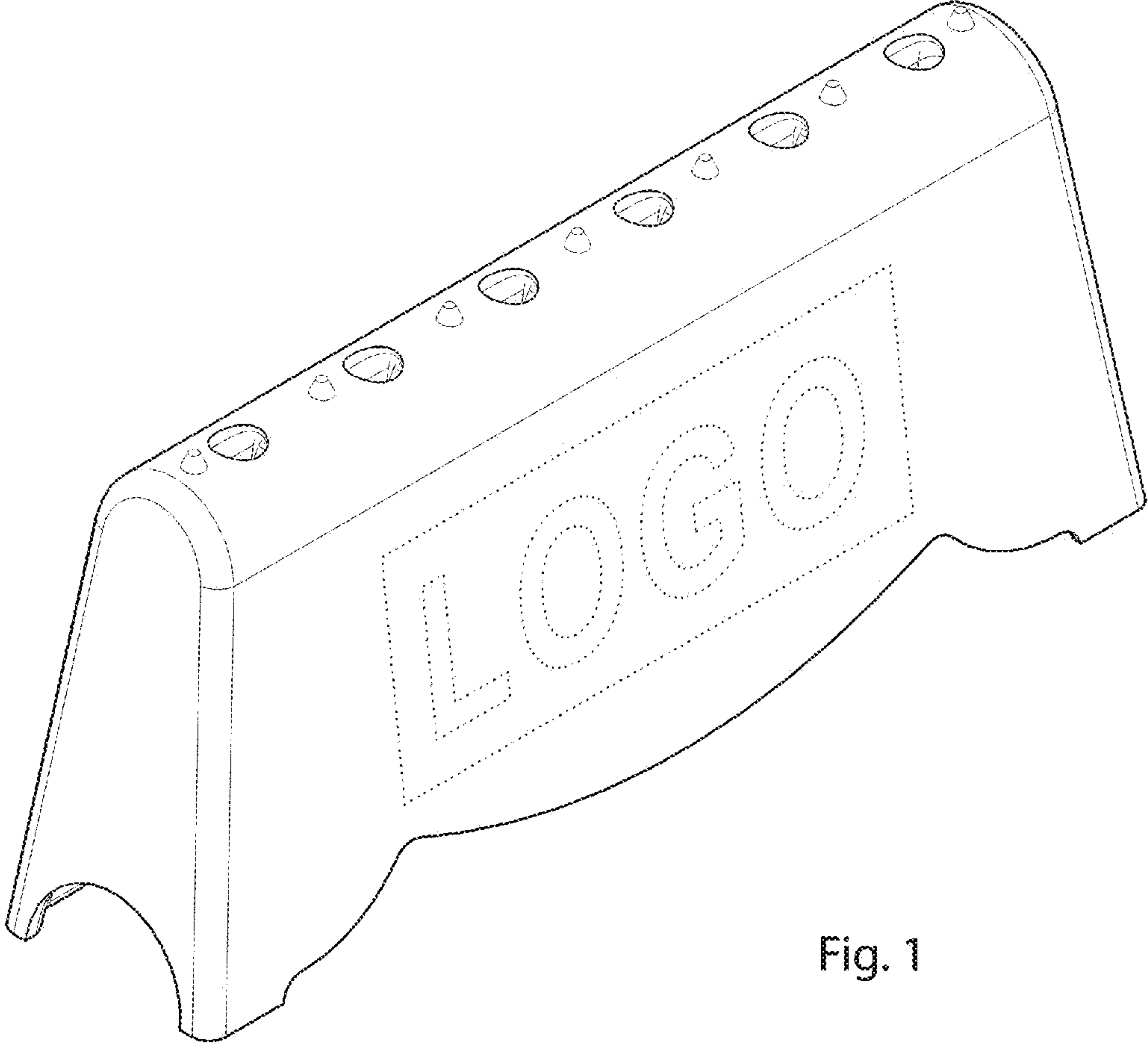


Fig. 1

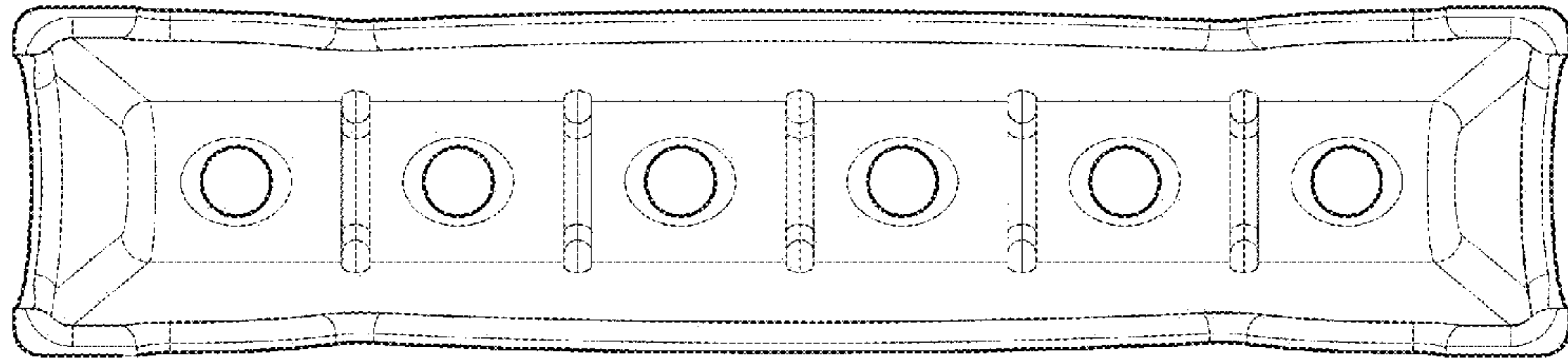


Fig. 2

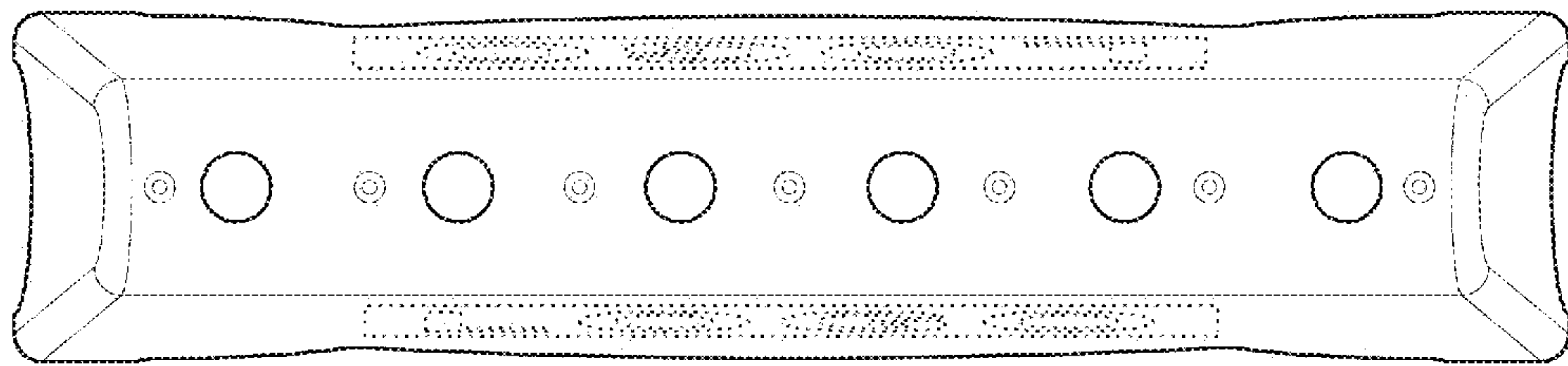


Fig. 3

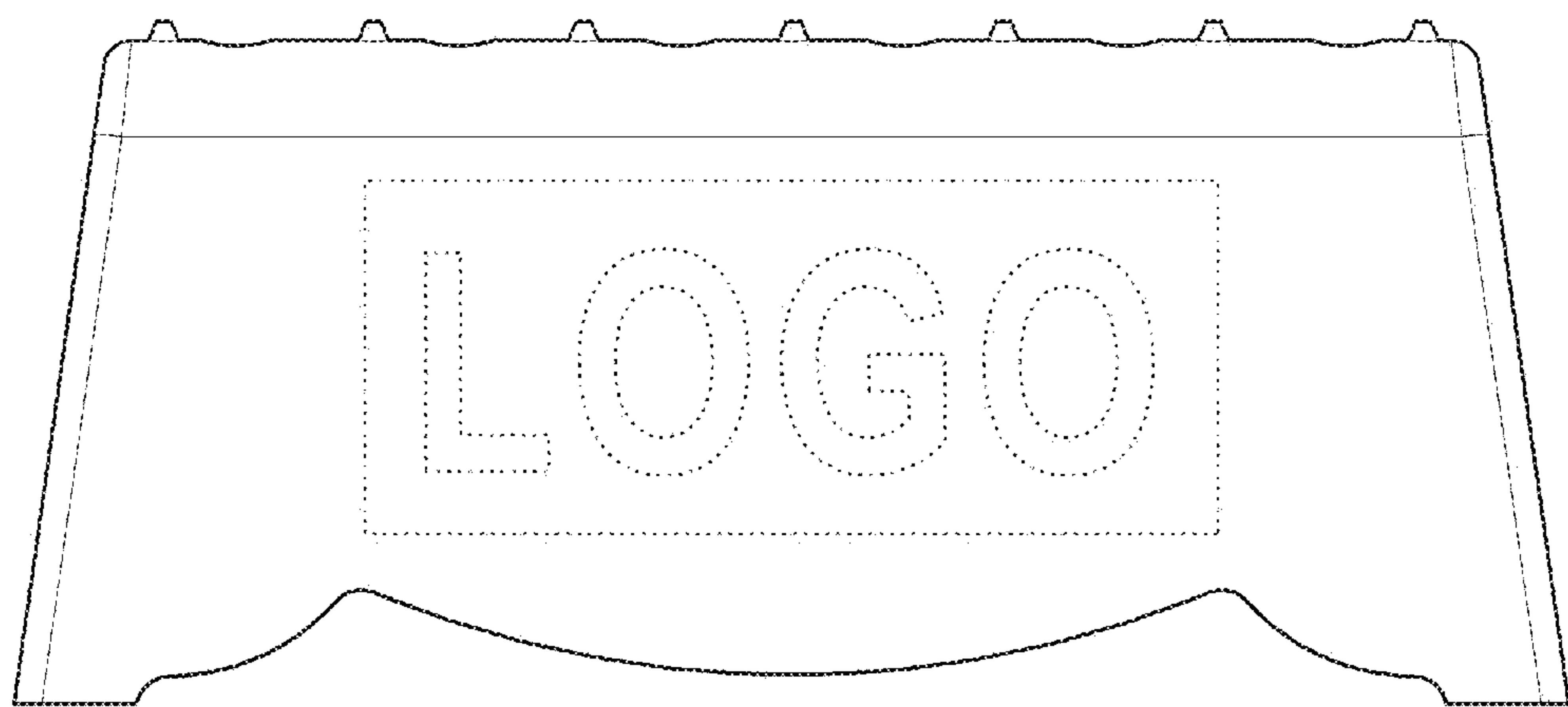


Fig. 4

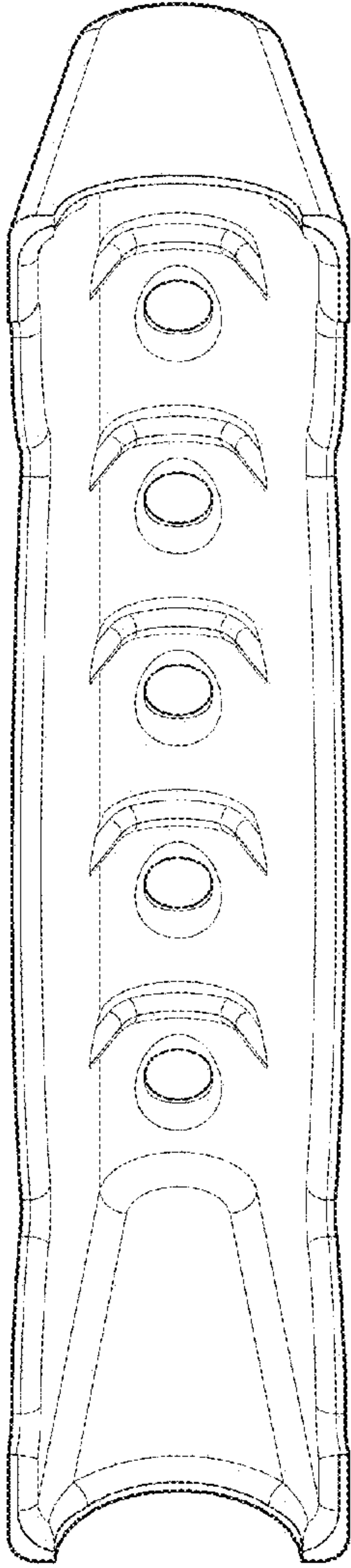


Fig. 5

Fig. 6

