

US00D732872S

(12) **United States Design Patent**  
**Kalik et al.**

(10) **Patent No.:** **US D732,872 S**  
(45) **Date of Patent:** **\*\* Jun. 30, 2015**

(54) **COUNTERTOP BEVERAGE DISPENSER**  
(71) Applicant: **Emerald Wine Systems, LLC**, Traverse City, MI (US)  
(72) Inventors: **Robert G Kalik**, Bethesda, MD (US); **Edward L. O’Keefe, Jr.**, Traverse City, MI (US); **Joe Parlanti**, North Potamac, MD (US)

(73) Assignee: **Robert G. Kalik**, Bethesda, MD (US)  
(\*\*) Term: **14 Years**

(21) Appl. No.: **29/482,656**  
(22) Filed: **Feb. 20, 2014**  
(51) **LOC (10) Cl.** ..... **07-01**  
(52) **U.S. Cl.**  
USPC ..... **D7/307; D7/308; D7/311**  
(58) **Field of Classification Search**  
USPC ..... **D7/306–311, 305, 300; 99/279, 284, 99/290, 280, 299, 307; 222/23**  
CPC ..... **A47J 31/44**  
See application file for complete search history.

(56) **References Cited**

**U.S. PATENT DOCUMENTS**

D91,822 S	3/1934	Harazen et al.	
D144,931 S	6/1946	Paley	
D190,599 S	6/1961	Gardner	
D319,948 S *	9/1991	Anderson et al.	D7/665
D328,995 S	9/1992	Verheijen	
D356,467 S	3/1995	Smit	
5,542,342 A *	8/1996	McNeill et al.	99/280
D402,498 S	12/1998	Howard et al.	

D404,242 S *	1/1999	Schroeder	D7/307
D414,371 S *	9/1999	Seiffert	D7/309
D440,255 S *	4/2001	Dickson	D20/5
6,216,918 B1	4/2001	Saveliev et al.	
D445,292 S *	7/2001	Sowden	D7/309
D587,511 S *	3/2009	Buttler	D7/309
D636,214 S	4/2011	Parker et al.	
D638,650 S *	5/2011	Galeazzi	D7/309
D719,392 S *	12/2014	De Pra	D7/309

\* cited by examiner

*Primary Examiner* — Marianne Pandozzi

(74) *Attorney, Agent, or Firm* — A. Robert Weaver; Feldman Gale, P.A.

(57) **CLAIM**

The ornamental design for a countertop beverage dispenser, as shown and described.

**DESCRIPTION**

FIG. 1 is a front right perspective view of an countertop beverage dispenser showing our new design;  
FIG. 2 is a front view of the countertop beverage dispenser of FIG. 1;  
FIG. 3 is a rear view of the countertop beverage dispenser of FIG. 1;  
FIG. 4 is a right side view thereof;  
FIG. 5 is a top view of the countertop beverage dispenser of FIG. 1; and,  
FIG. 6 is a bottom view of the countertop beverage dispenser of FIG. 1.  
Features shown in broken lines are for illustrative purposes only and form no part of the claimed design.

**1 Claim, 4 Drawing Sheets**

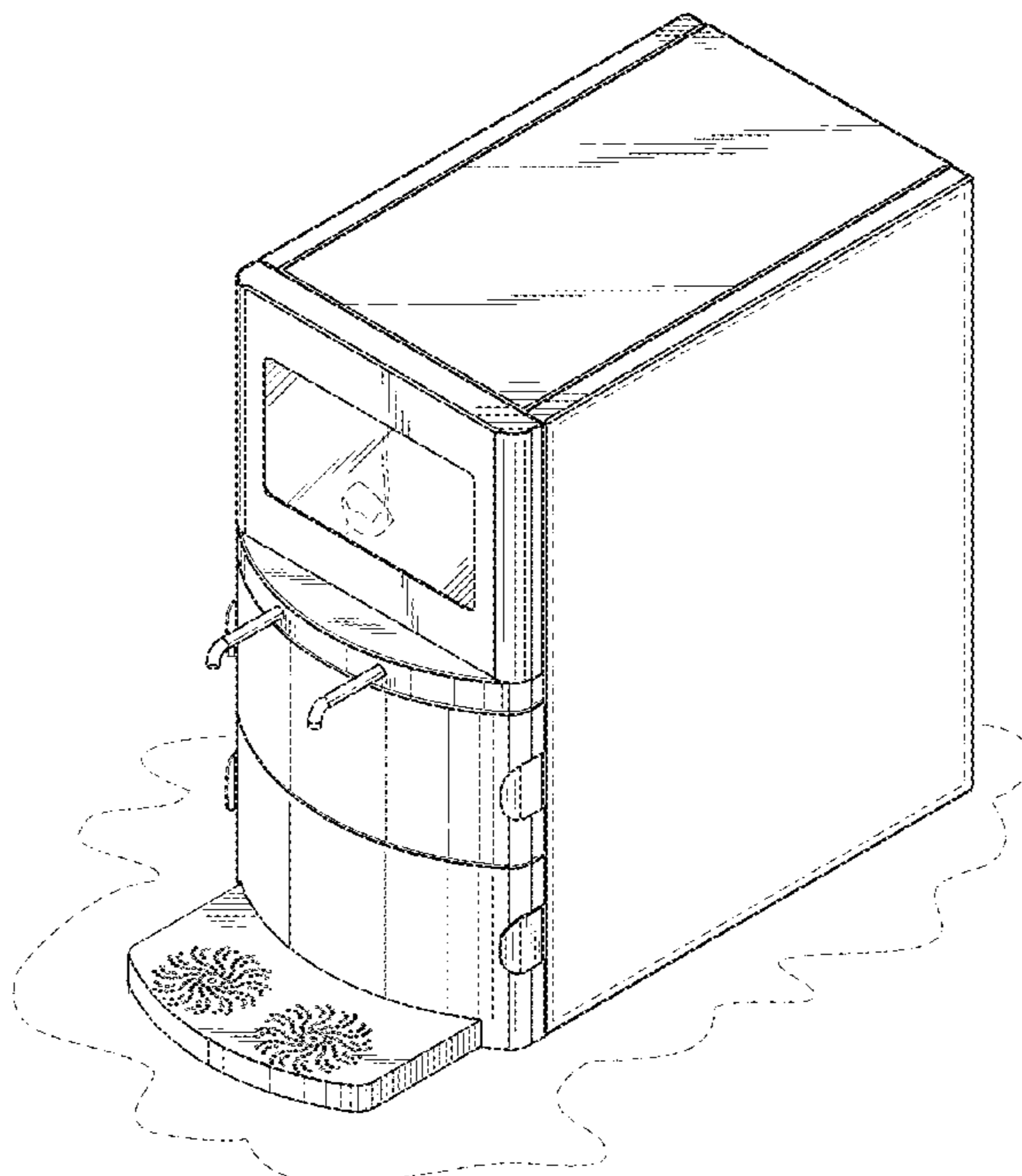


FIG. 1

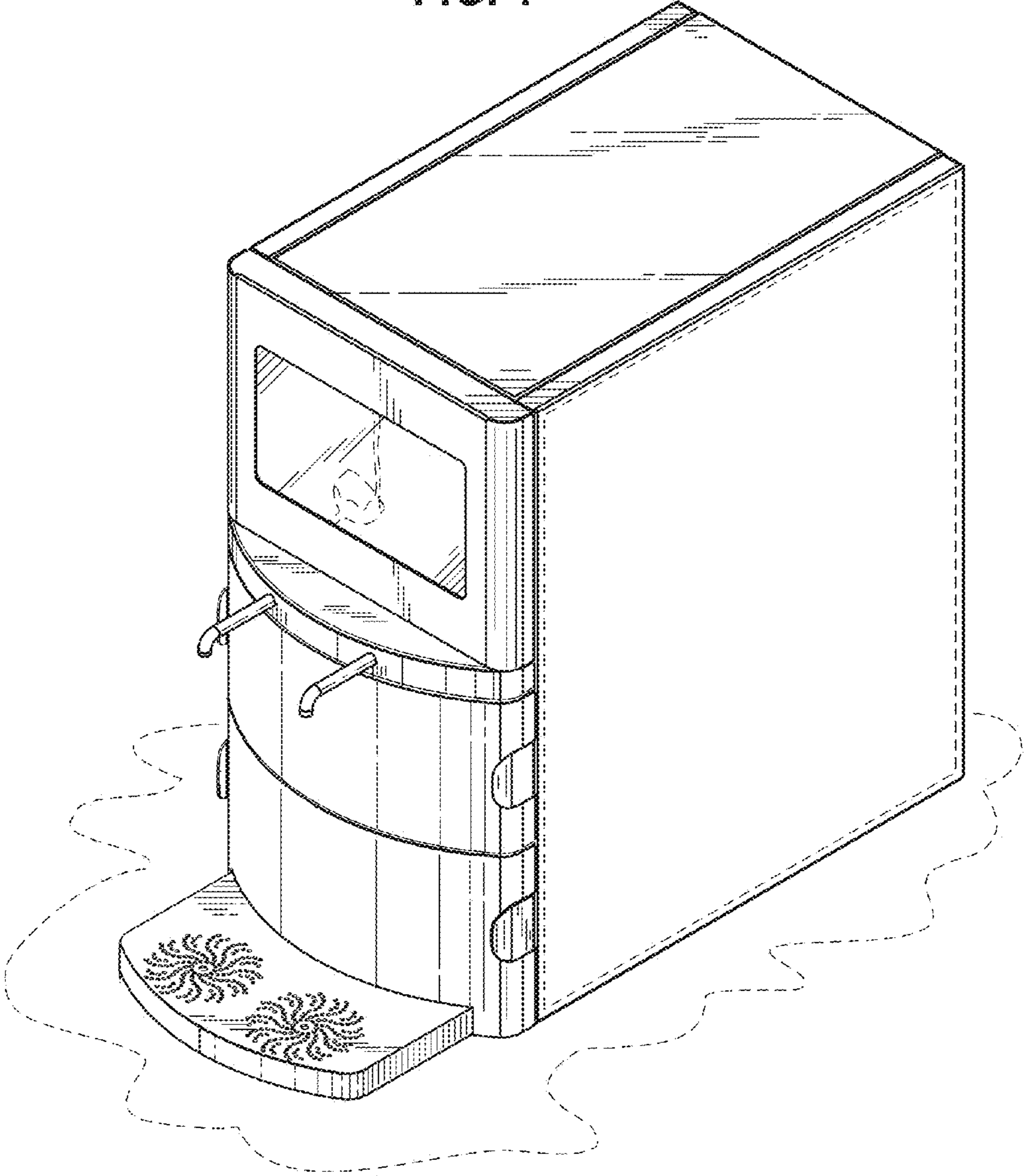


FIG. 2

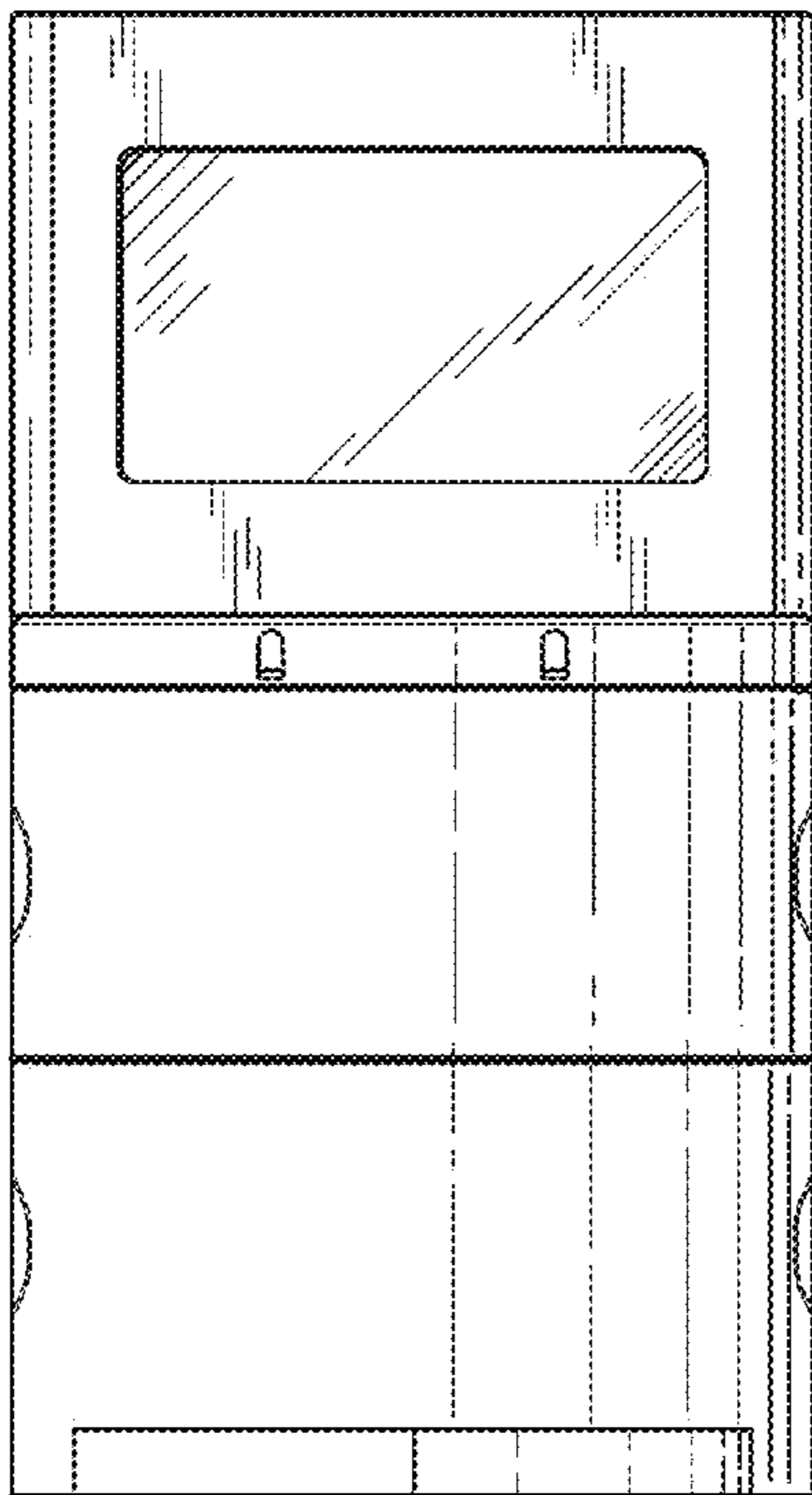


FIG. 3

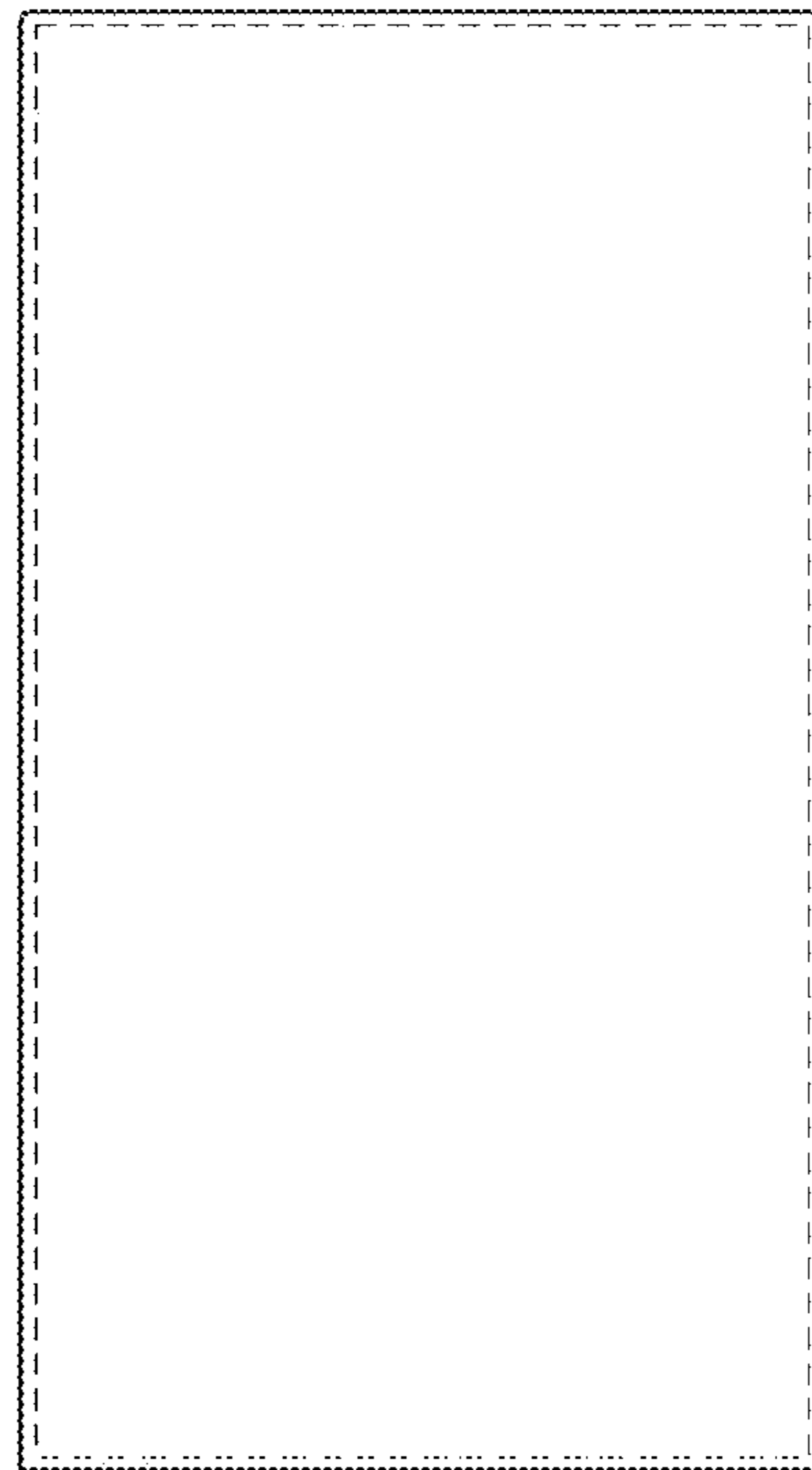


FIG. 4

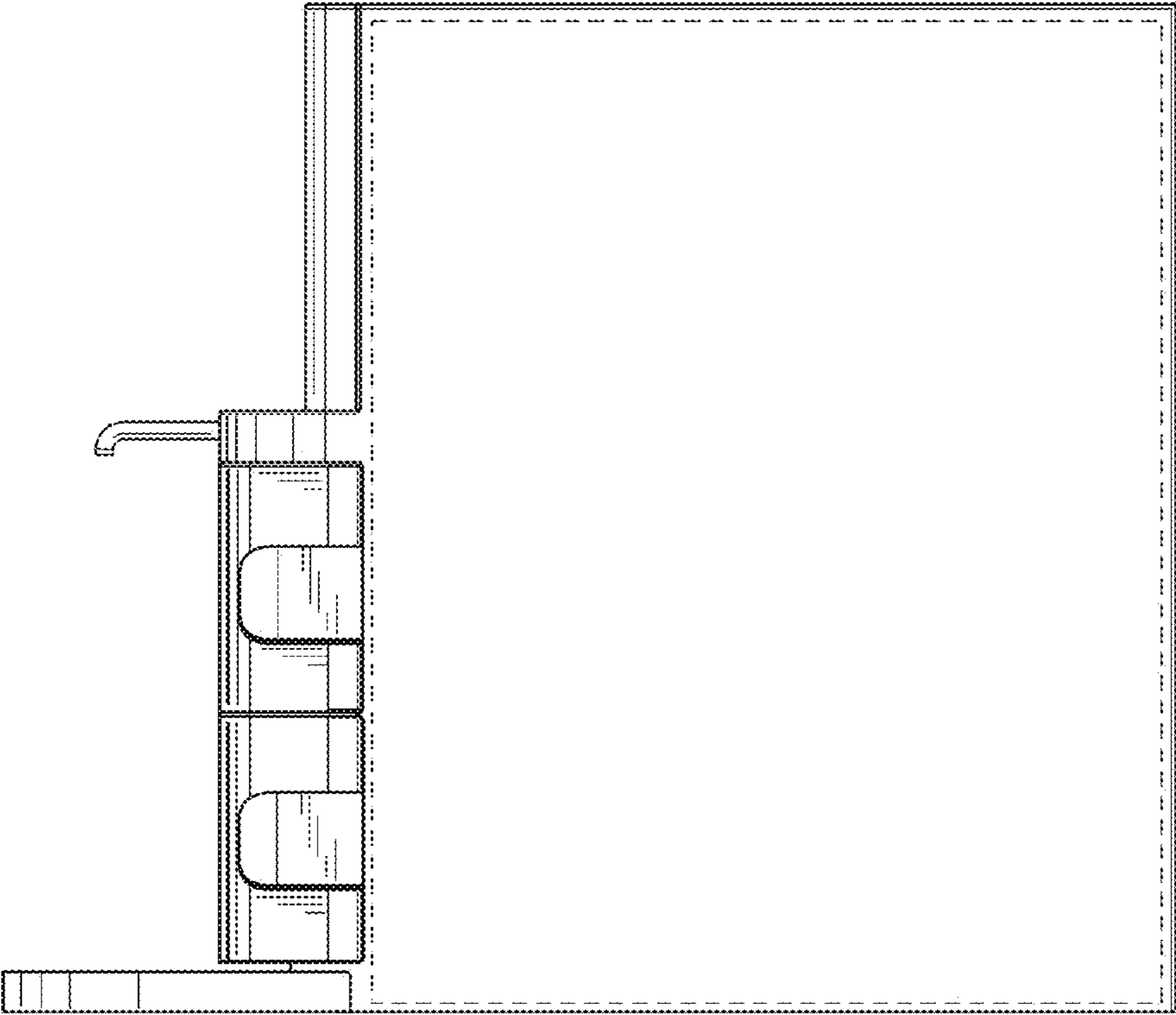


FIG. 5

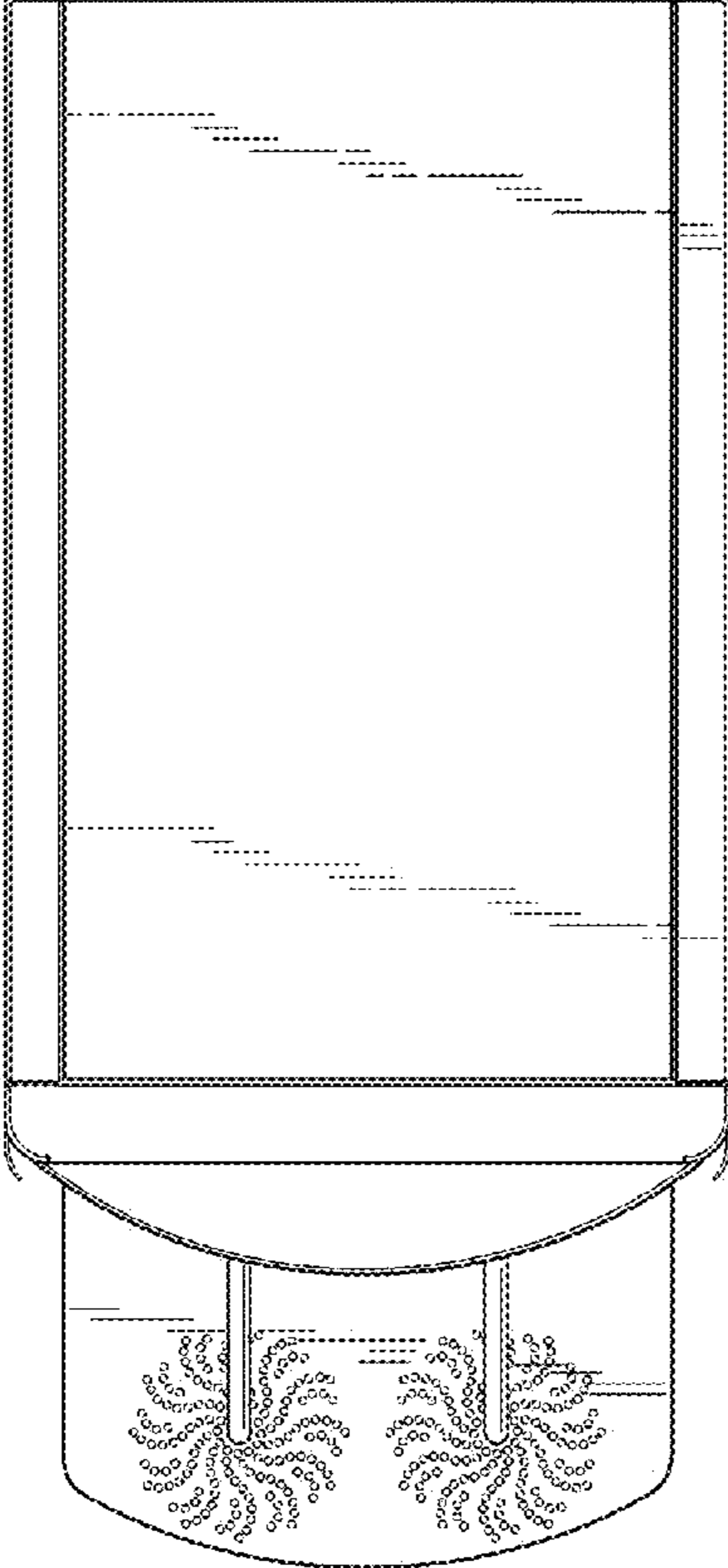


FIG. 6

