



US00D732869S

(12) **United States Design Patent**  
**Biter et al.**

(10) **Patent No.:** **US D732,869 S**  
(45) **Date of Patent:** **\*\* Jun. 30, 2015**

(54) **CRIB**

- (71) Applicant: **FOUNDATIONS WORLDWIDE, INC.**, Medina, OH (US)
- (72) Inventors: **Jason Biter**, Medina, OH (US); **David E. Campbell**, Westfield Center, OH (US)
- (73) Assignee: **FOUNDATIONS WORLDWIDE, INC.**, Medina, OH (US)
- (\*\*) Term: **14 Years**
- (21) Appl. No.: **29/448,853**
- (22) Filed: **Mar. 14, 2013**

**Related U.S. Application Data**

- (63) Continuation of application No. 29/392,695, filed on May 25, 2011, now Pat. No. Des. 677,954.
- (51) **LOC (10) Cl.** ..... **06-06**
- (52) **U.S. Cl.**  
USPC ..... **D6/718.26**; D6/718; D6/718.3
- (58) **Field of Classification Search**  
USPC ..... D6/300, 711, 712, 718.13, 718.21, 718, D6/718.26, 718.28, 707.17, 706, 391, 390, D6/396, 395; D8/327, 323; D16/225; 5/93.1, 93.2, 99.1, 101, 105, 100, 9.1; D25/38.1, 119, 124, 133, 199  
CPC ..... A47D 7/02; A47D 7/01; A47D 11/005; A47D 11/007; A47C 19/04; A47C 19/20  
See application file for complete search history.

(56) **References Cited**

**U.S. PATENT DOCUMENTS**

|             |        |         |
|-------------|--------|---------|
| 1,211,762 A | 1/1917 | Sawyer  |
| 1,440,943 A | 1/1923 | Szabo   |
| D69,241 S   | 1/1926 | Stuart  |
| 1,678,237 A | 7/1928 | Vallone |
| D78,863 S   | 6/1929 | Stuart  |

(Continued)

**OTHER PUBLICATIONS**

Kaplan—Serenity Compact SafeReach Crib, available Mar. 5, 2012, [online], [site visited Feb. 26, 2015]. Available from internet, <URL: [https://www.kaplanco.com/product/20743/serenity-compact-safereach-clearview-crib-with-mirror-natural?c=1%7CFC1042.\\*](https://www.kaplanco.com/product/20743/serenity-compact-safereach-clearview-crib-with-mirror-natural?c=1%7CFC1042.*)>

(Continued)

*Primary Examiner* — Cathron Brooks

*Assistant Examiner* — Teddy Falloway

(74) *Attorney, Agent, or Firm* — Walker & Jocke

(57) **CLAIM**

The ornamental design for a crib, as shown and described.

**DESCRIPTION**

FIG. 1 is an upper perspective view showing our new design for a crib.

FIG. 2 is a lower perspective view thereof.

FIG. 3 is front side plan view thereof.

FIG. 4 is back side plan view thereof.

FIG. 5 is a right side plan view thereof, the left side being a mirror image.

FIG. 6 is a top side plan view thereof.

FIG. 7 is a bottom side plan view thereof.

FIG. 8 is a cross-section plan view along lines 8-8 of FIG. 6.

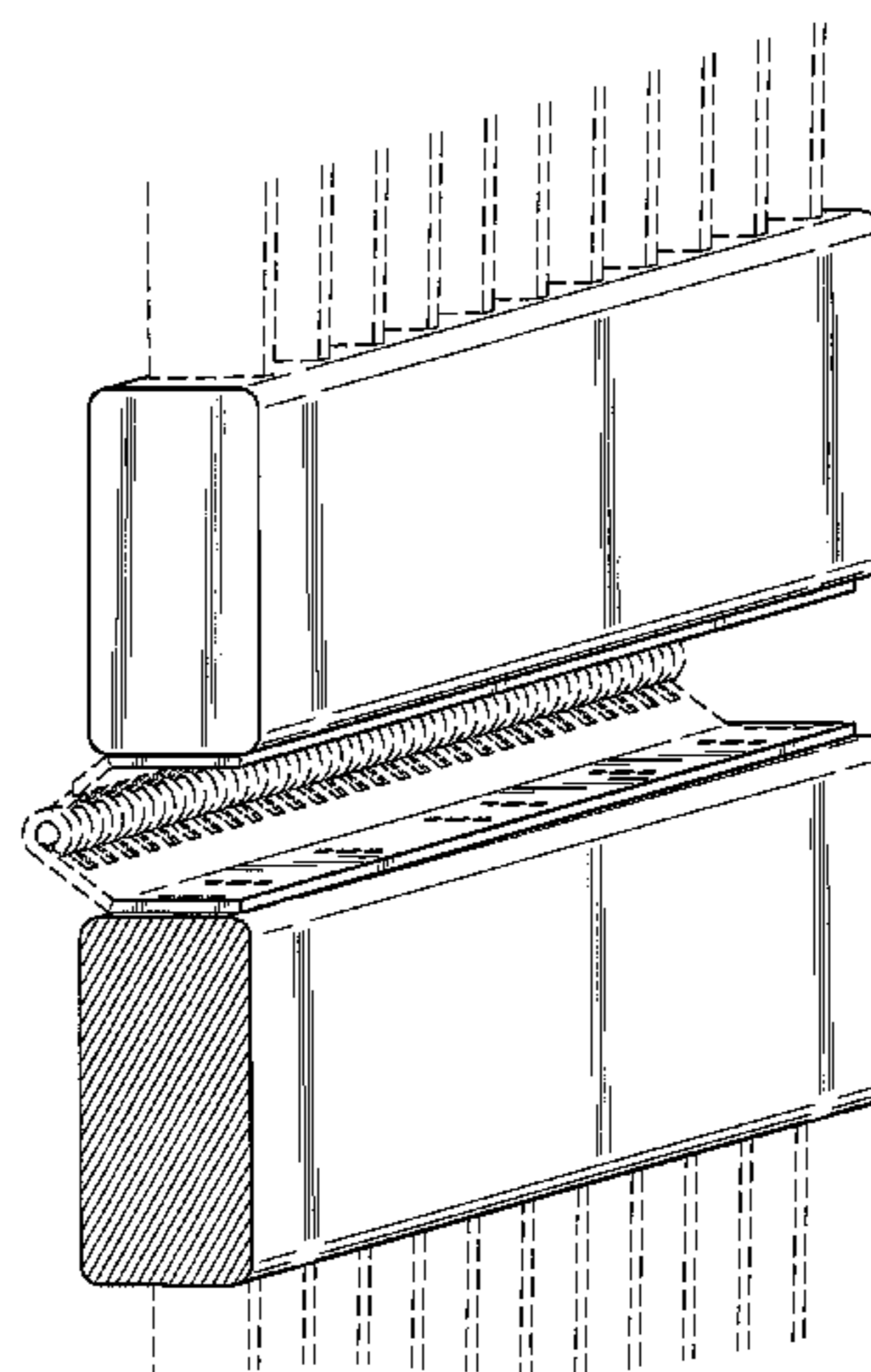
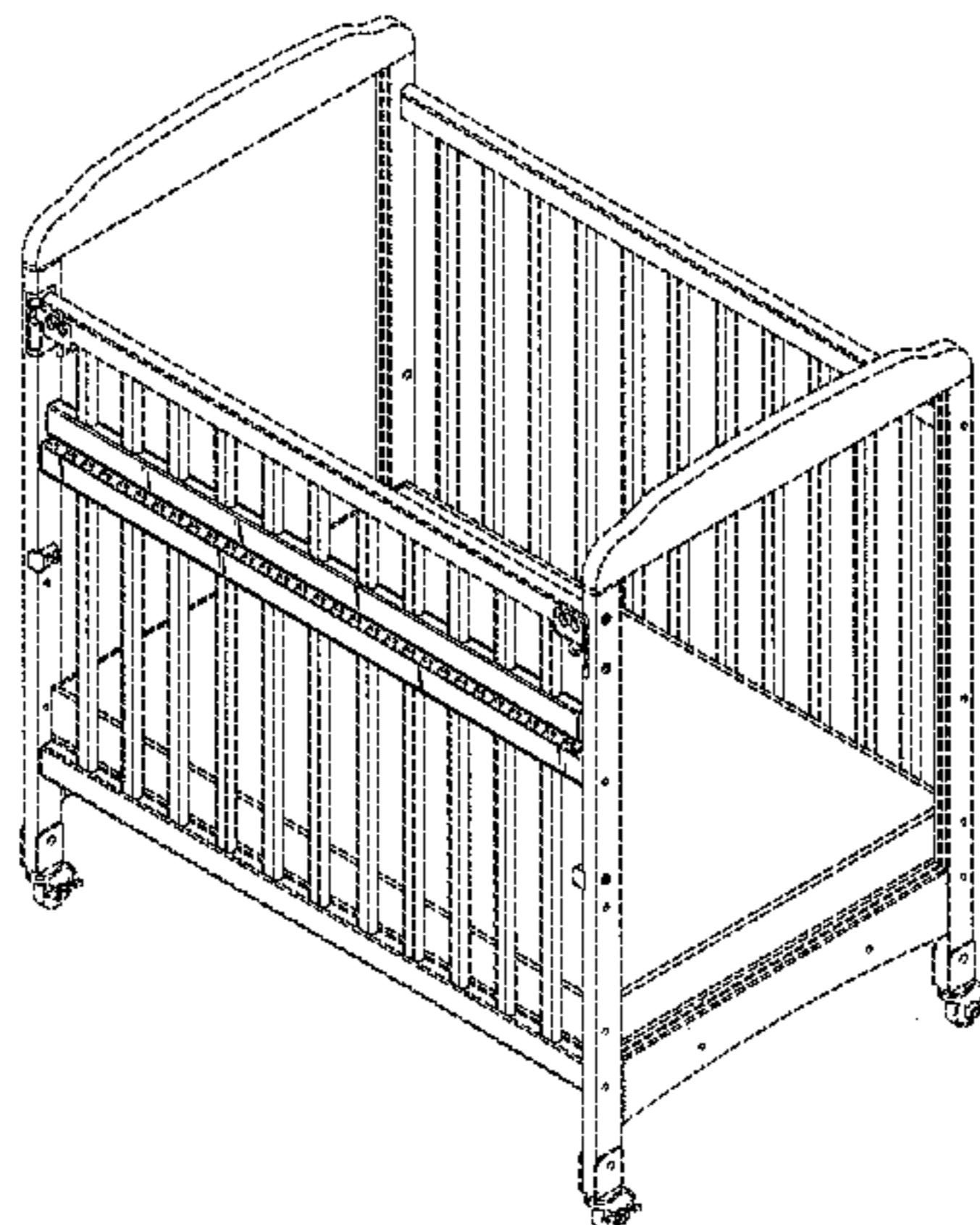
FIG. 9 is a right side lower perspective view of the cross-section view of FIG. 8.

FIG. 10 is a right side upper perspective view of the cross-section view of FIG. 8; and,

FIG. 11 is a left side upper perspective view of the cross-section view of FIG. 8.

The broken lines adjacent the shaded areas represent the boundaries of the claimed design, while the other broken lines representing the outline of portions of the crib depict environmental subject matter only, and form no part of the claimed design.

**1 Claim, 11 Drawing Sheets**



(56)

References Cited

U.S. PATENT DOCUMENTS

2,200,250 A 5/1940 Atwood  
 2,200,440 A 5/1940 Atwood  
 2,372,431 A 3/1945 Kahle  
 D168,681 S 1/1953 Feldman  
 3,002,199 A 10/1961 Galloway  
 D207,484 S 4/1967 Amdal  
 3,590,403 A 7/1971 Mixon  
 3,634,894 A 1/1972 Harbison  
 D235,713 S 7/1975 Donner  
 3,896,513 A \* 7/1975 Boucher et al. .... 5/99.1  
 3,930,272 A \* 1/1976 Boudreau ..... 5/11  
 3,934,282 A 1/1976 Bryant  
 4,231,135 A \* 11/1980 Fradin ..... 16/225  
 4,402,097 A \* 9/1983 Scott ..... 5/181  
 D272,040 S 1/1984 Scanlan  
 D274,877 S 7/1984 Mower et al.  
 4,530,528 A 7/1985 Shamie  
 4,535,493 A 8/1985 Guillot  
 4,715,075 A 12/1987 Shamie  
 4,752,977 A 6/1988 Smith et al.  
 4,765,004 A 8/1988 Kessel  
 4,768,243 A 9/1988 Waples  
 D298,708 S 11/1988 Nygren  
 5,040,254 A 8/1991 Frank  
 5,068,932 A \* 12/1991 Chang ..... 5/100  
 5,072,464 A 12/1991 Draheim et al.  
 5,077,846 A 1/1992 Wheeler, III et al.  
 5,173,974 A \* 12/1992 Proano et al. .... 5/93.2  
 5,201,085 A 4/1993 Shamie  
 D356,452 S \* 3/1995 Proano et al. .... D6/391  
 D357,607 S 4/1995 Nilsson  
 D366,778 S 2/1996 Pollard  
 5,715,551 A \* 2/1998 Proano et al. .... 5/93.2  
 5,926,870 A \* 7/1999 Branca-Barnes et al. .... 5/93.1  
 6,088,851 A 7/2000 Draheim  
 D429,431 S 8/2000 Zaidman  
 6,817,046 B1 11/2004 Srour et al.

7,376,986 B2 5/2008 Smith et al.  
 7,415,740 B1 8/2008 Kemper  
 D586,589 S 2/2009 Magnusson  
 D597,345 S 8/2009 Oshinomi et al.  
 D603,628 S 11/2009 Towater et al.  
 D604,065 S 11/2009 Towater et al.  
 7,614,097 B1 11/2009 Cheng  
 D611,324 S 3/2010 Dawson  
 D619,376 S 7/2010 Schopmeyer  
 7,752,689 B1 7/2010 Shamie et al.  
 D623,041 S 9/2010 Ayrest  
 D625,576 S 10/2010 Oshima  
 D628,409 S 12/2010 Anzai  
 D638,955 S \* 5/2011 Kopp et al. .... D25/38.1  
 D666,470 S \* 9/2012 Biter et al. .... D8/331  
 D677,954 S \* 3/2013 Biter et al. .... D6/718  
 8,572,775 B1 \* 11/2013 Biter et al. .... 5/100  
 8,806,687 B1 \* 8/2014 Houry ..... 5/663  
 8,844,071 B1 \* 9/2014 Alexander ..... 5/93.2  
 2007/0101493 A1 5/2007 Campbell et al.  
 2013/0000037 A1 \* 1/2013 Tabbia ..... 5/93.1

OTHER PUBLICATIONS

MPM—Serenity Compact SafeReach Crib, available Aug. 11, 2014, [online], [site visited Feb. 26, 2015]. Available from internet, <URL: <http://www.mpmschoolsupplies.com/p-32062-serenity-compact-safereach-crib-with-adjustable-mattress-board-clearview-natural.aspx>.\*  
 Foundations Serenity Crib, available Jul. 9, 2013, [online], [site visited Feb. 26, 2015]. Available from internet, <URL: <https://www.schoolsin.com/FDS-1742XX0.html>.\*  
 Foundations Serenity Crib, available Jun. 9, 2012, [online], [site visited Feb. 26, 2015]. Available from internet, <URL: <http://www.walmart.com/ip/Foundations-Serenity-Safereach-Fixed-Side-Clearview-Compact-Crib-in-Natural/17691443>.\*  
 Convertible “Kathryn” Crib Instruction Sheet, Jun. 2003.

\* cited by examiner



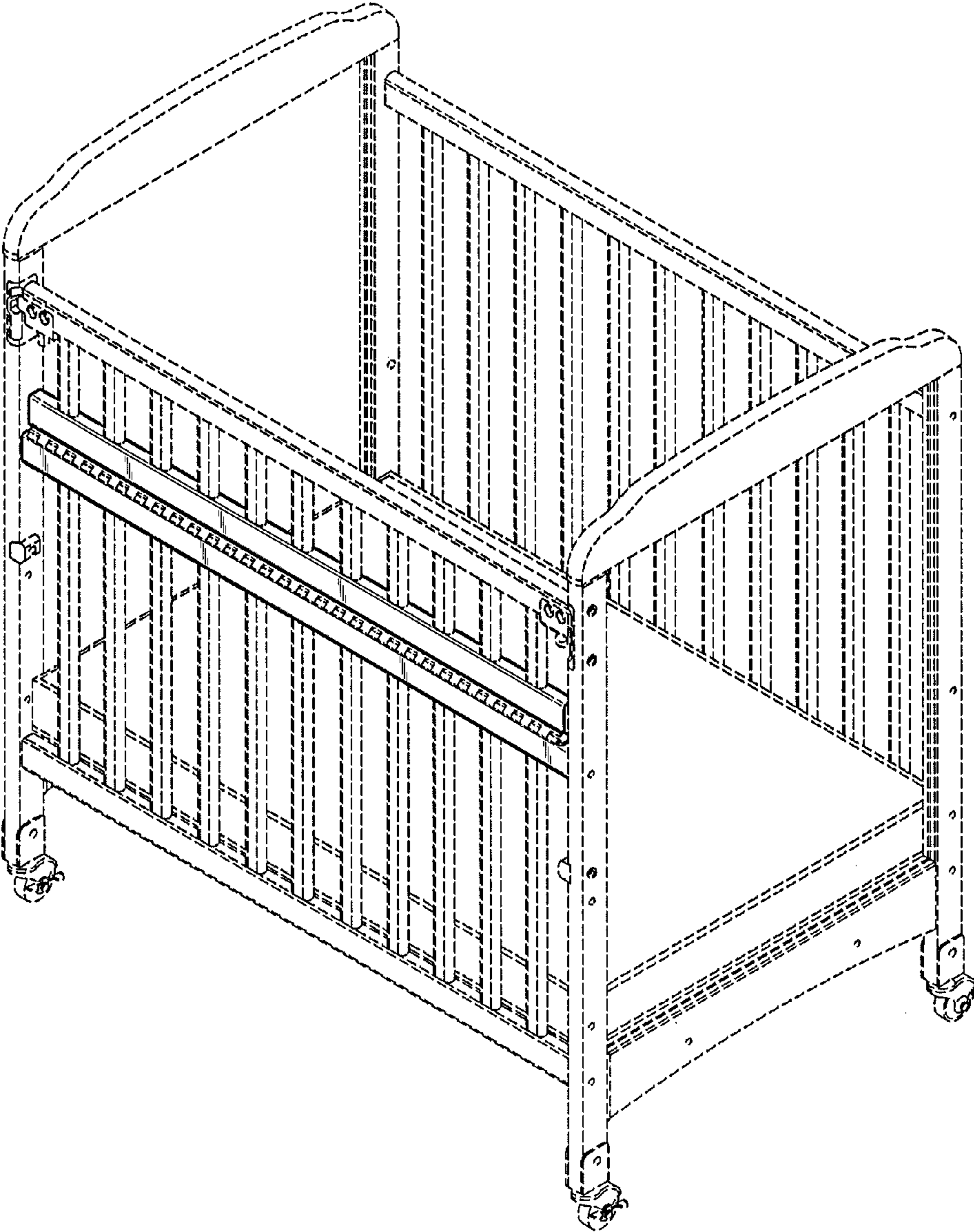


FIG. 1

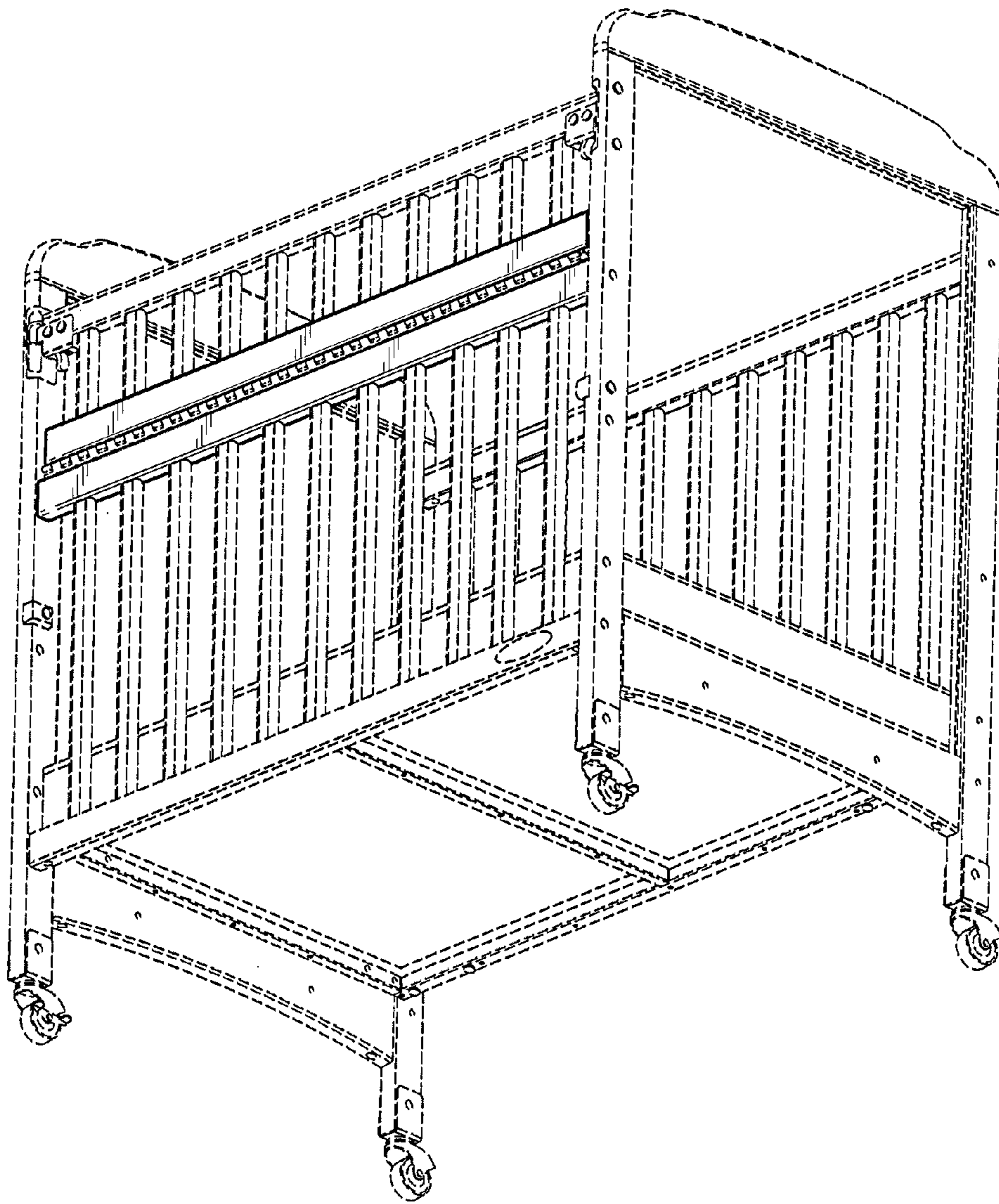


FIG. 2

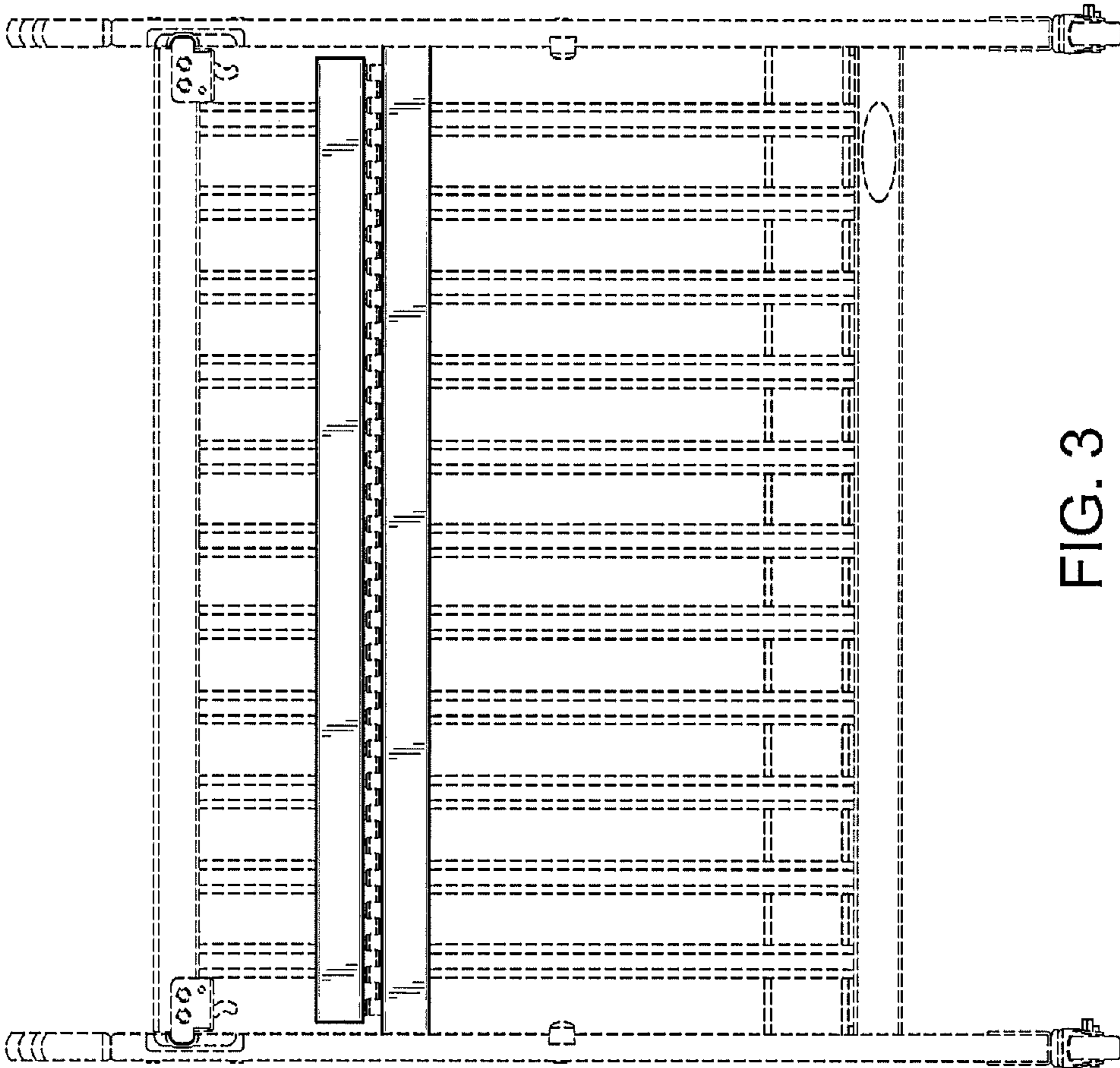


FIG. 3

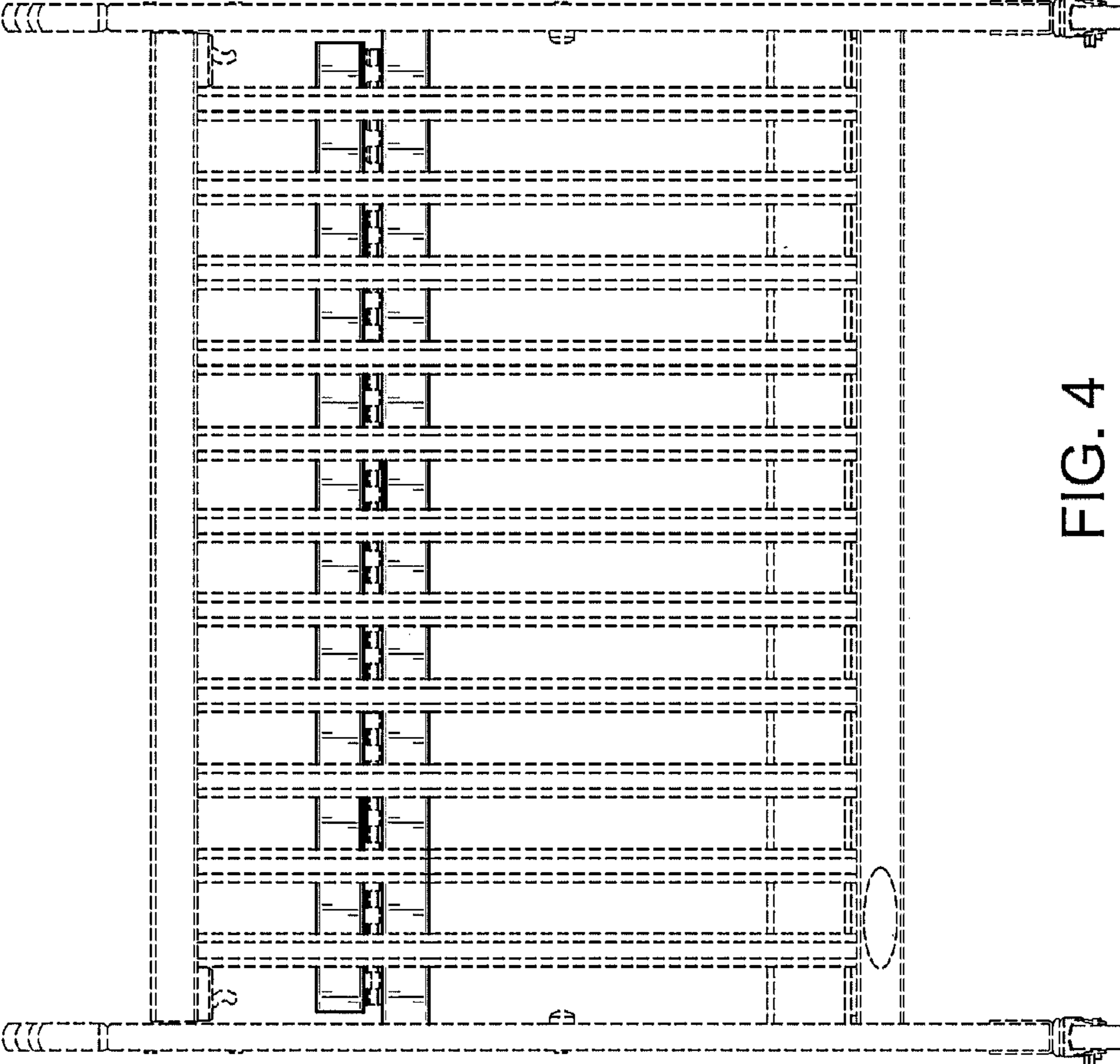


FIG. 4

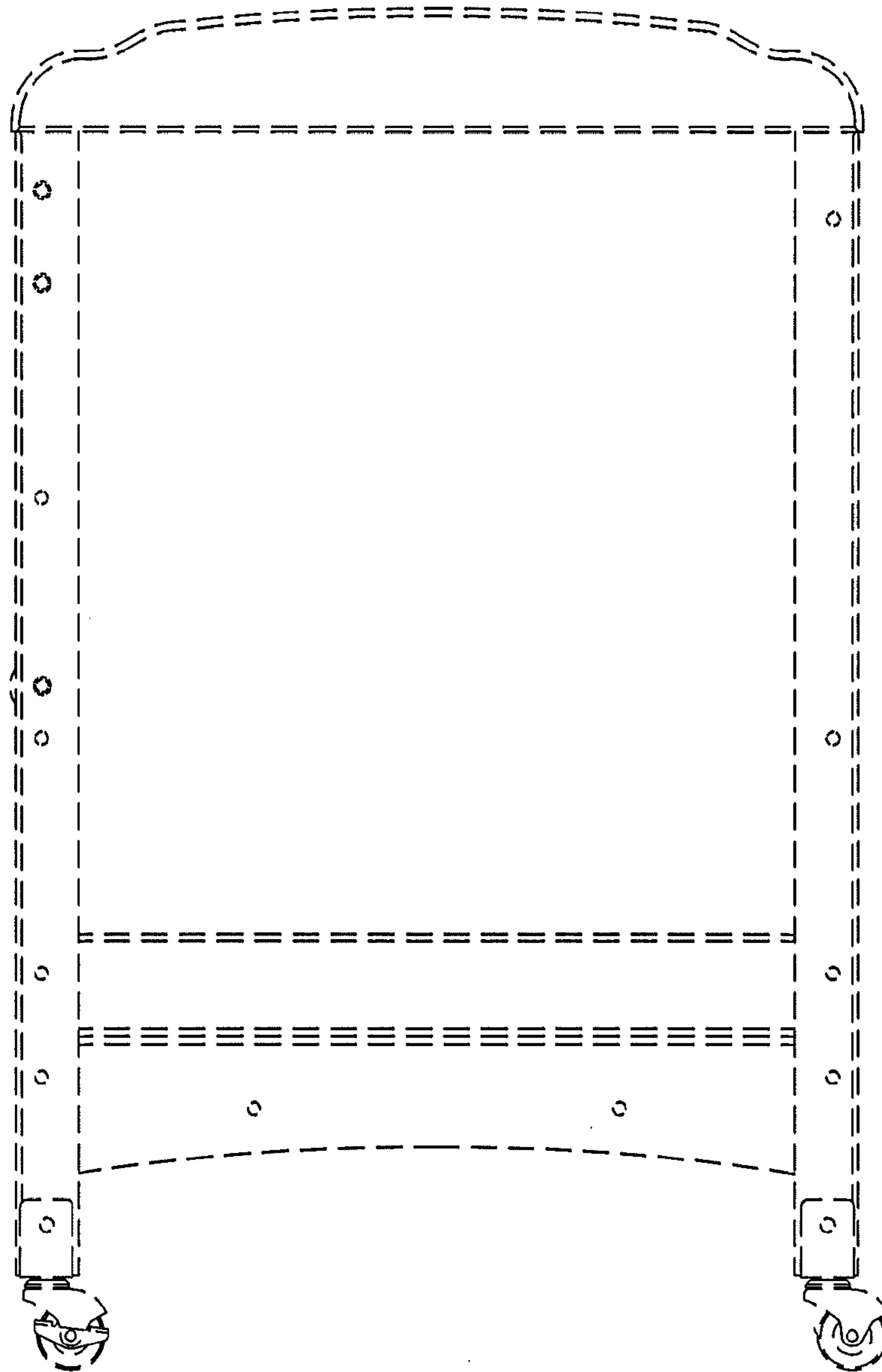


FIG. 5



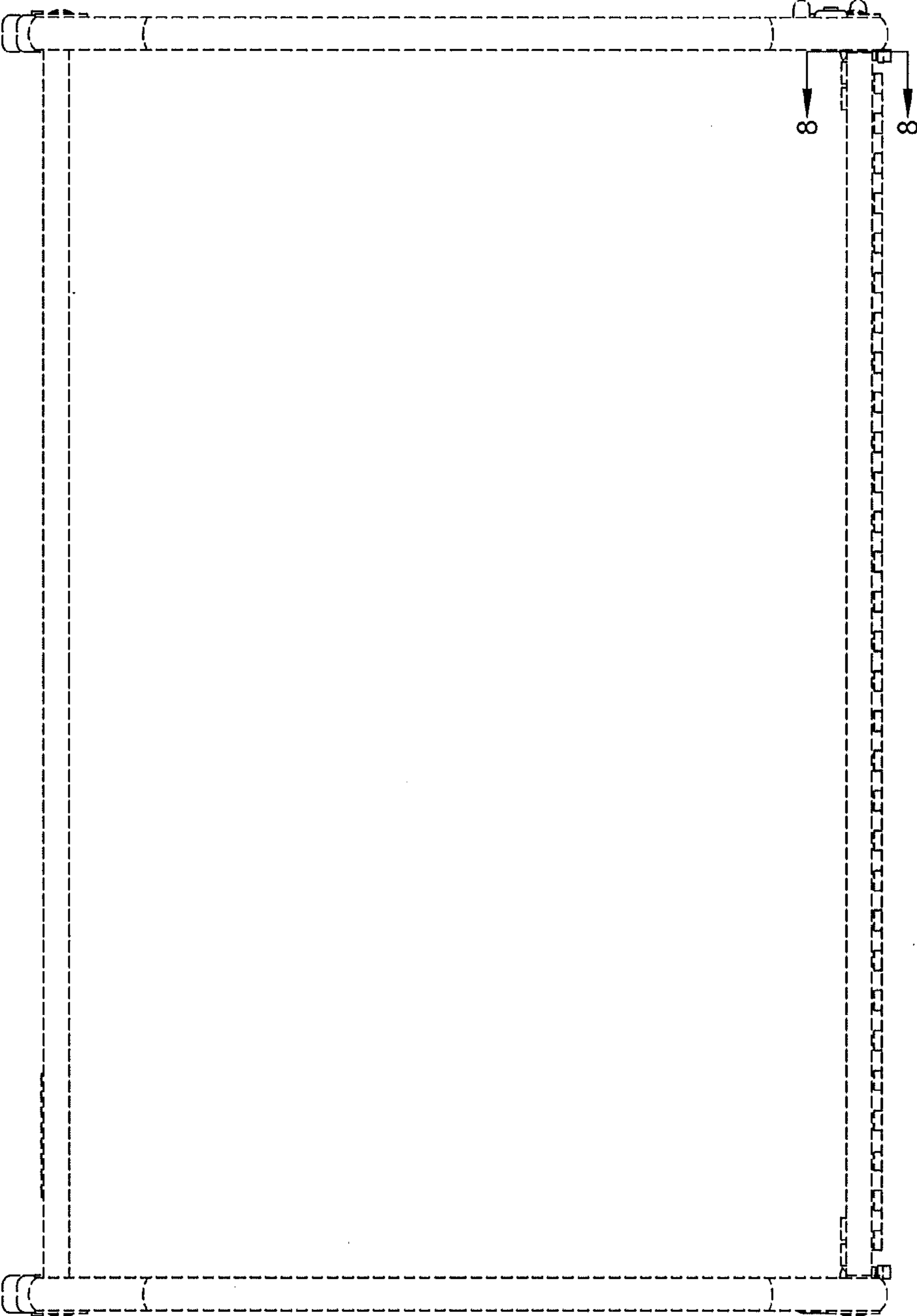


FIG. 6



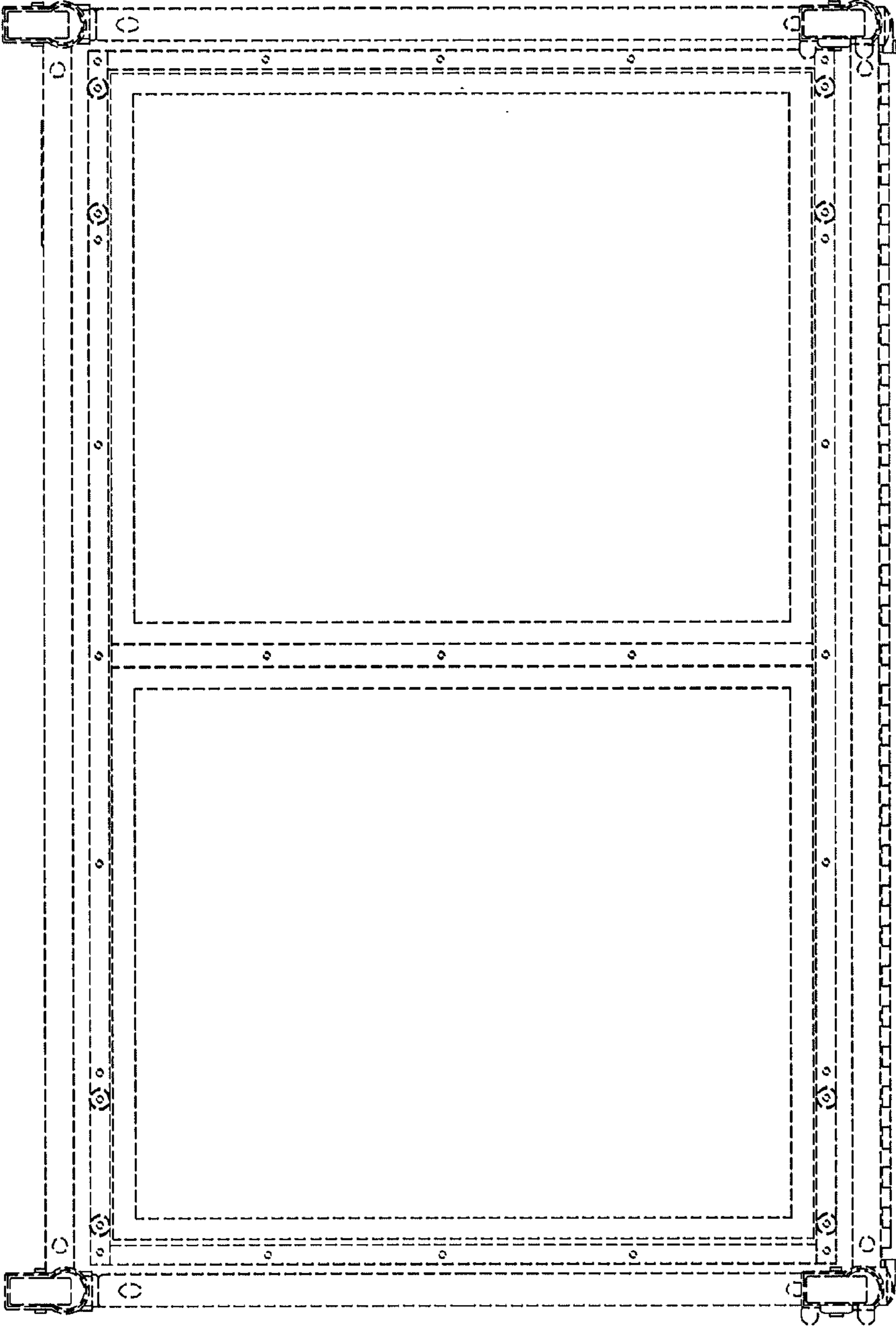


FIG. 7

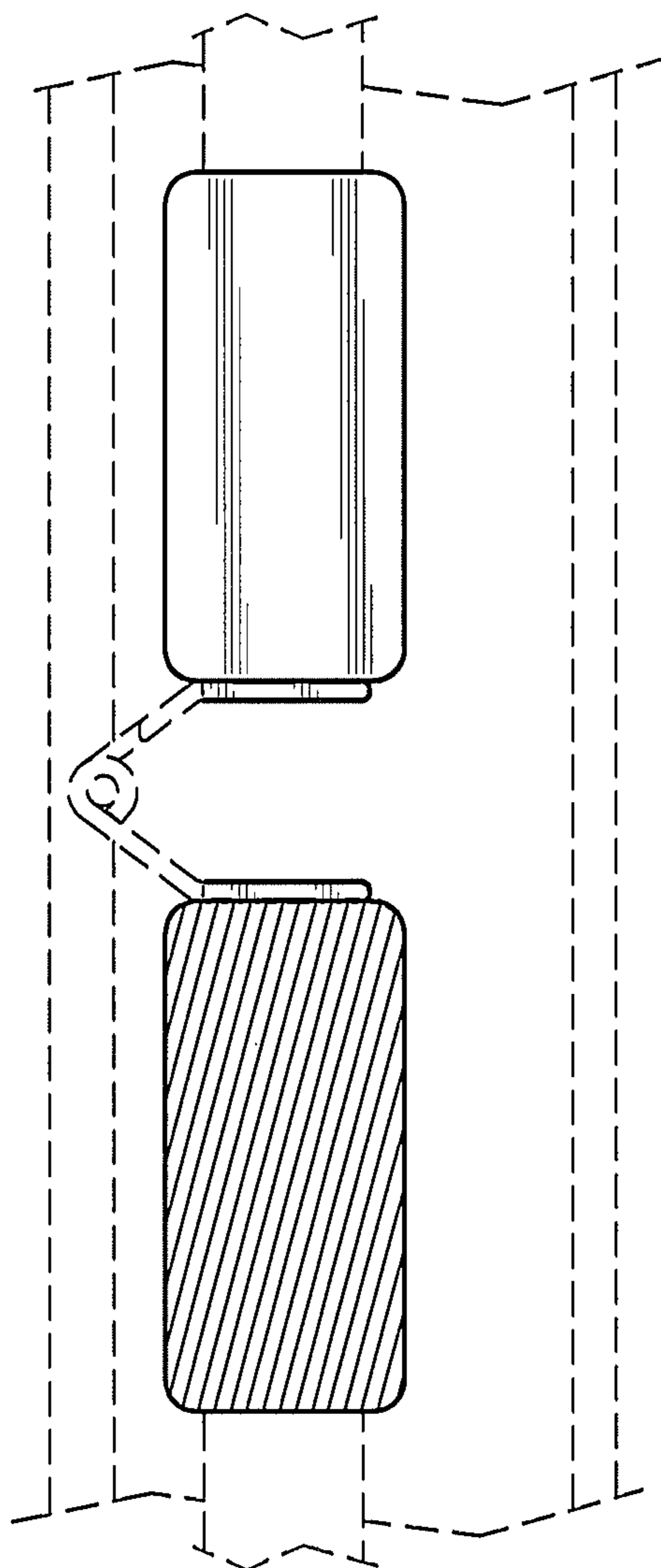


FIG. 8

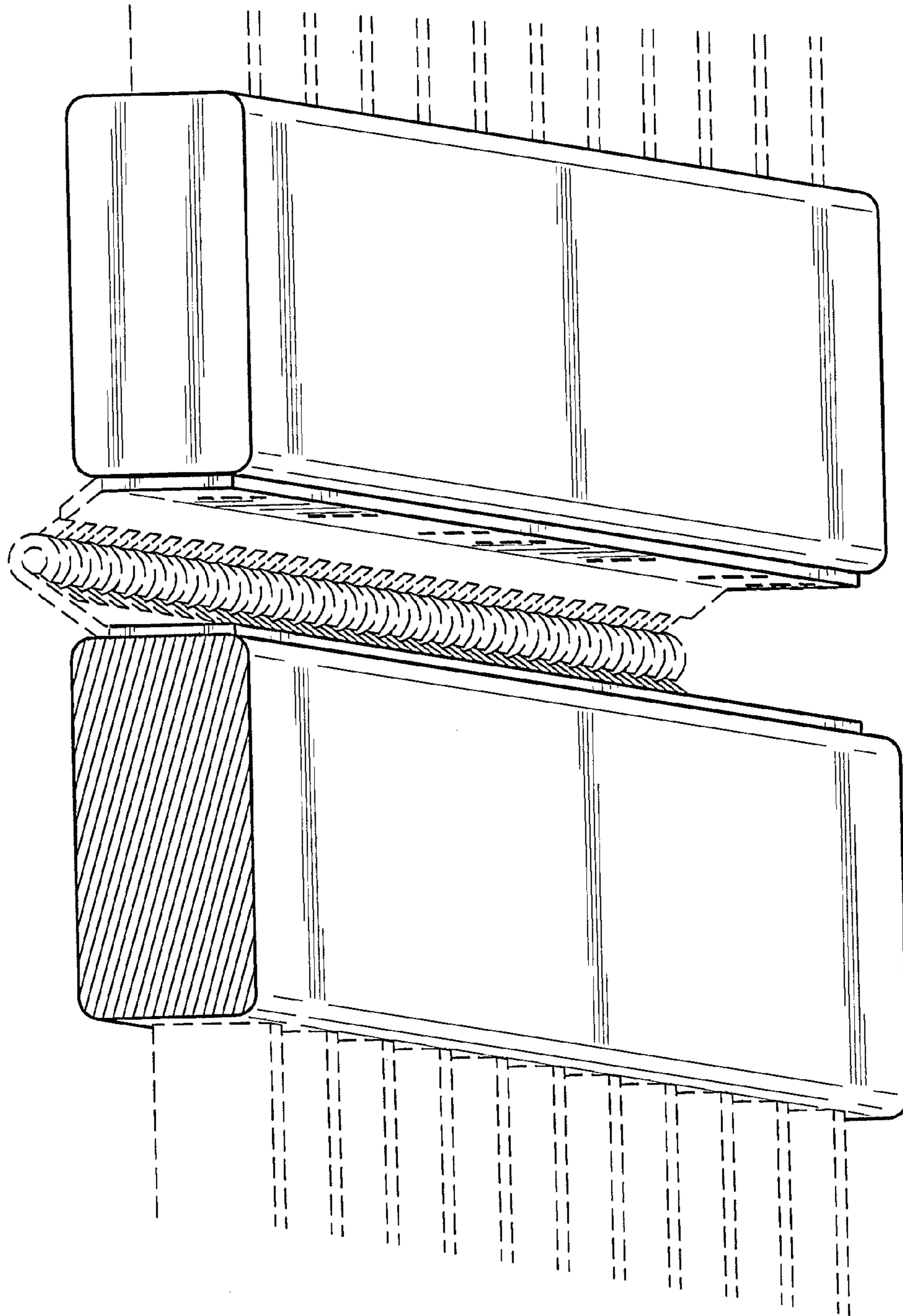


FIG. 9

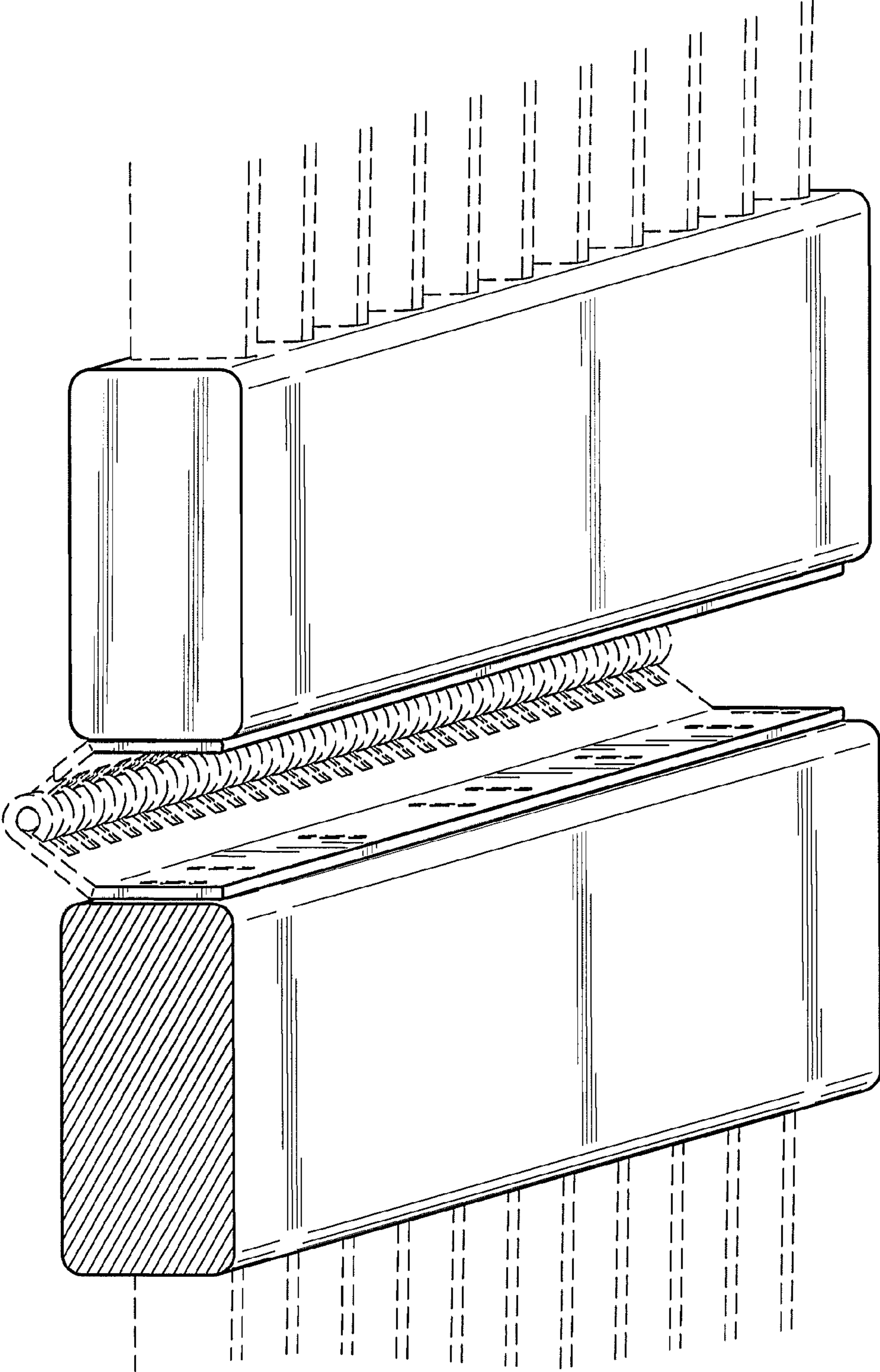


FIG. 10



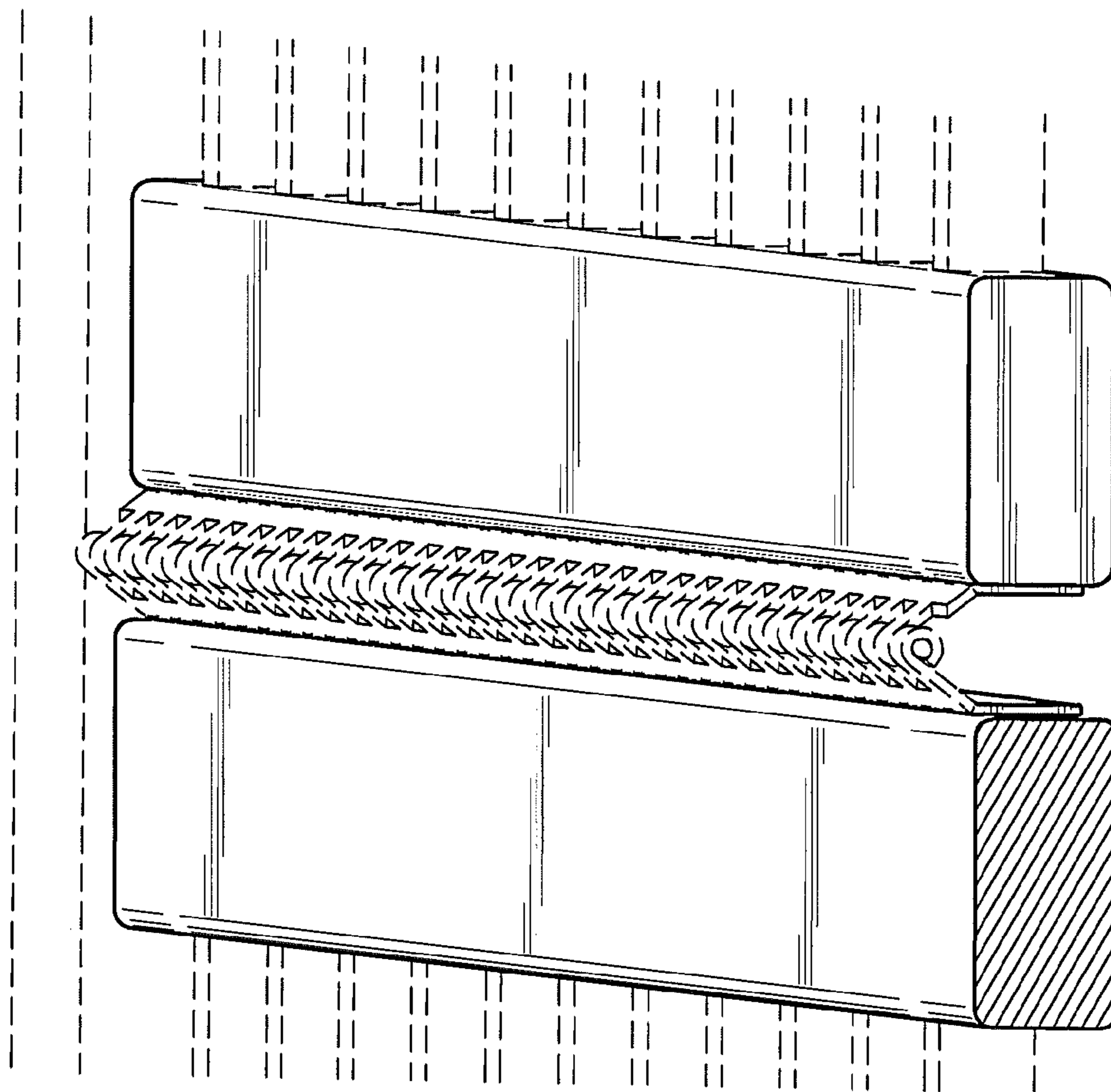


FIG. 11