



US00D732868S

(12) **United States Design Patent**
Lawlor et al.

(10) **Patent No.:** **US D732,868 S**
(45) **Date of Patent:** **** Jun. 30, 2015**

(54) **COVER FOR PLAY YARDS AND CRIBS**

(71) Applicant: **FOUNDATIONS WORLDWIDE, INC.**, Medina, OH (US)

(72) Inventors: **Joseph A. Lawlor**, Medina, OH (US); **Robert Kansa**, Akron, OH (US); **David Stitchick**, Norton, OH (US)

(73) Assignee: **FOUNDATIONS WORLDWIDE, INC.**, Medina, OH (US)

(**) Term: **14 Years**

(21) Appl. No.: **29/477,860**

(22) Filed: **Dec. 27, 2013**

Related U.S. Application Data

(63) Continuation of application No. 29/433,150, filed on Sep. 26, 2012, now Pat. No. Des. 699,063.

(51) **LOC (10) Cl.** **06-06**

(52) **U.S. Cl.**
USPC **D6/718; D6/331**

(58) **Field of Classification Search**
USPC D6/331, 390, 391, 718, 718.26; 5/93.1, 5/97, 98.1, 98.2, 99.1
CPC ... A47D 13/06; A47D 13/061; A47D 13/063; A47D 7/00; A47D 9/005
See application file for complete search history.

(56) **References Cited**

U.S. PATENT DOCUMENTS

2,566,790	A	3/1946	Bloomfield	
D281,745	S *	12/1985	Pandorf et al.	D6/390
D416,719	S	11/1999	Zaidman	
6,119,288	A	9/2000	Hendrickson	
D464,220	S	10/2002	Hartenstine et al.	
6,671,902	B2 *	1/2004	Cheng	5/310

6,895,611	B2	5/2005	Tharalson et al.	
D520,262	S	5/2006	Hsu	
7,055,191	B1	6/2006	Chen	
7,284,289	B1	10/2007	Biagini	
D572,961	S	7/2008	Costa	
7,401,366	B1	7/2008	Costa	
7,430,770	B2	10/2008	Ramirez	
7,543,342	B2	6/2009	Zhao et al.	
D607,220	S	1/2010	Hardy et al.	
D616,665	S	6/2010	Dumais	
D672,988	S	12/2012	Suvak et al.	
D699,063	S *	2/2014	Stitchick et al.	D6/718
2004/0074000	A1 *	4/2004	Tharalson et al.	5/99.1
2005/0217026	A1	10/2005	Ramirez	
2006/0168722	A1	8/2006	Ramirez	
2014/0068857	A1 *	3/2014	Jackson et al.	5/98.1

* cited by examiner

Primary Examiner — Janice Seeger

(74) *Attorney, Agent, or Firm* — Walker & Jocke

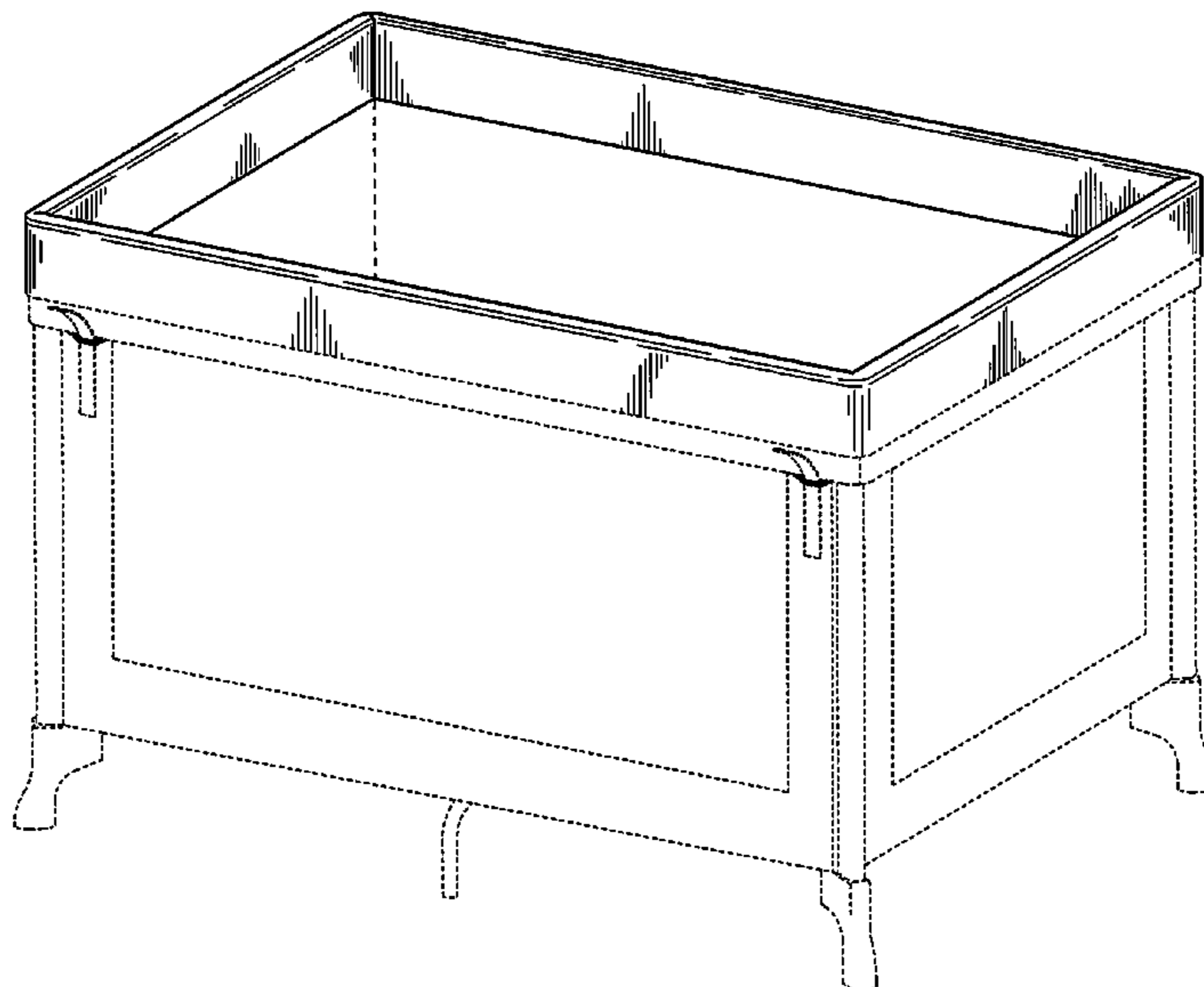
(57) **CLAIM**

The ornamental design for a cover for play yards and cribs, as shown and described.

DESCRIPTION

FIG. 1 is a top, front, right side perspective view showing our new design for a cover for play yards and cribs.
FIG. 2 is a bottom, front, right side perspective view thereof.
FIG. 3 is front view thereof, the back thereof being a mirror image without claimed subject matter.
FIG. 4 is a right side view thereof, the left side thereof being a mirror image.
FIG. 5 is a top view thereof; and,
FIG. 6 is a bottom view thereof.
The broken lines adjacent the shaded areas represent the boundaries of the claimed design, while the other broken lines depict environmental subject matter only, and form no part of the claimed design.

1 Claim, 6 Drawing Sheets



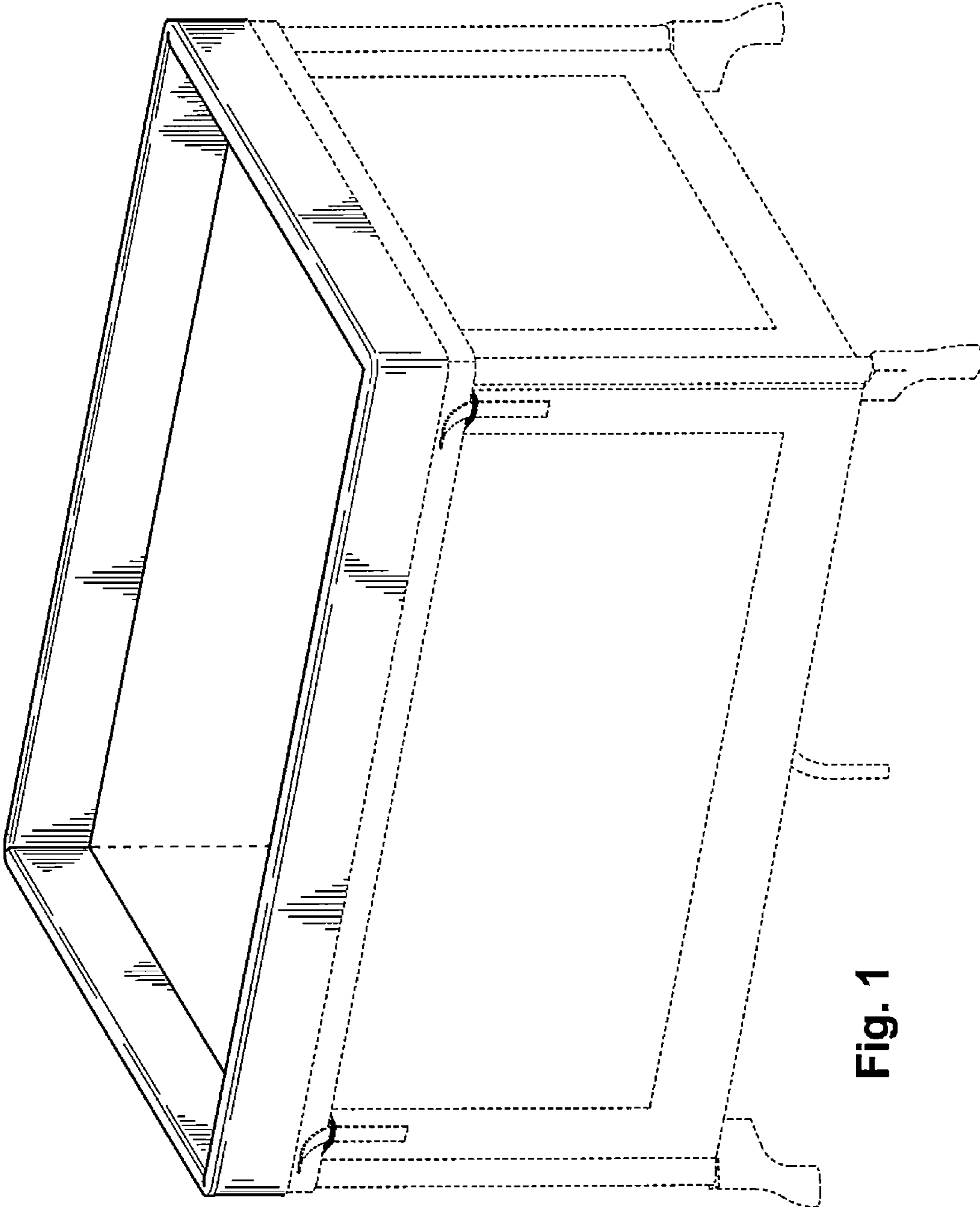


Fig. 1

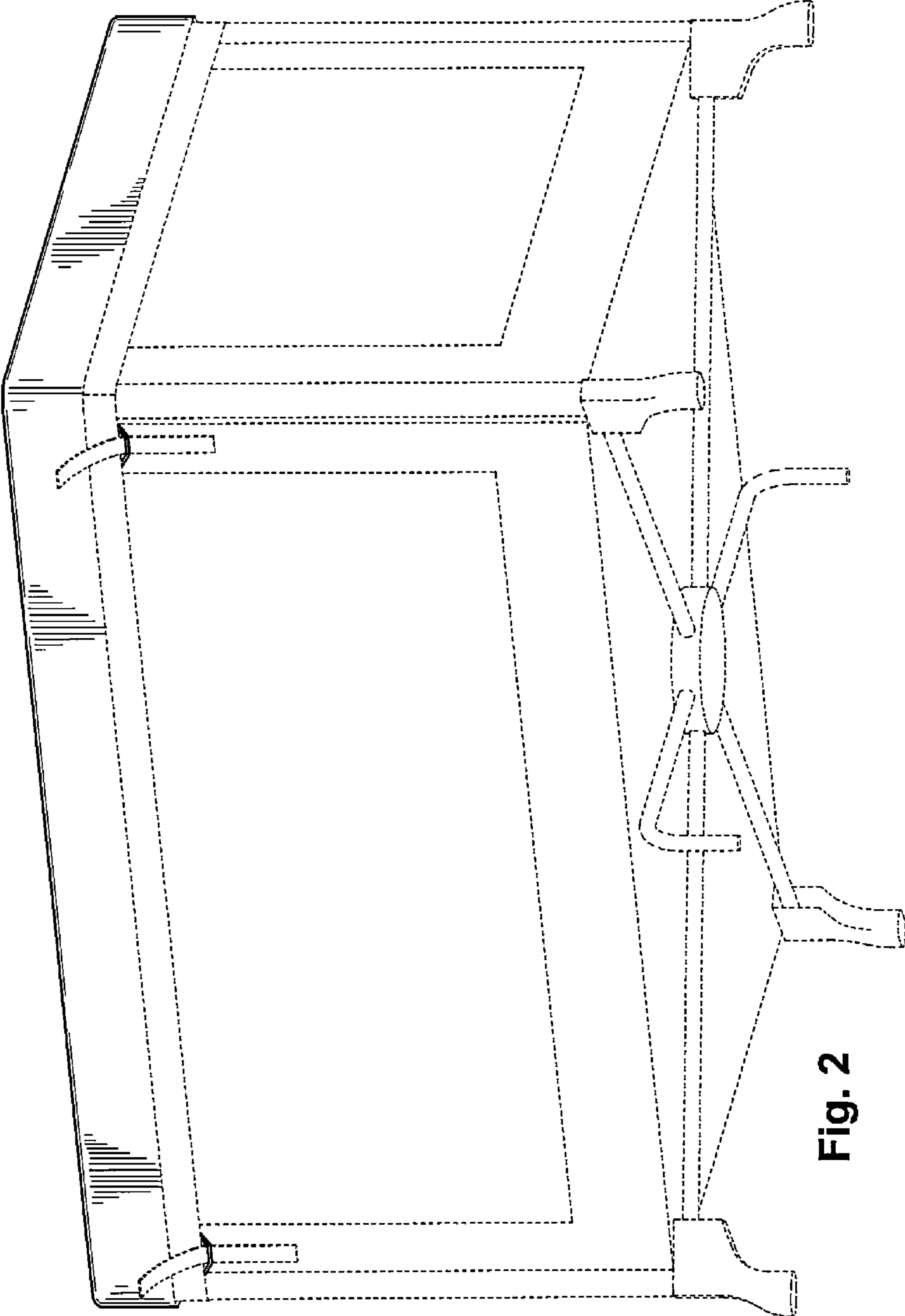


Fig. 2

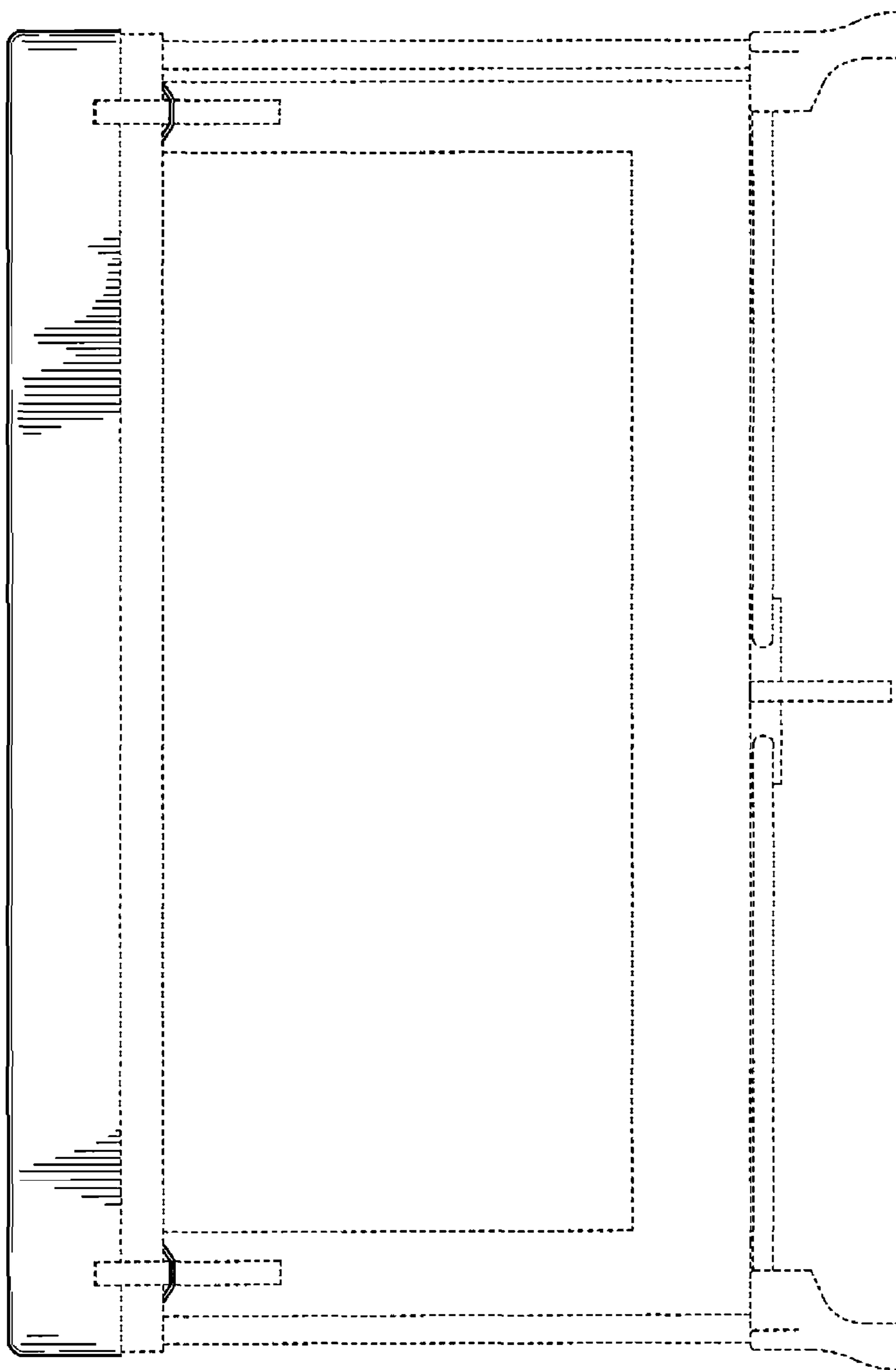


Fig. 3

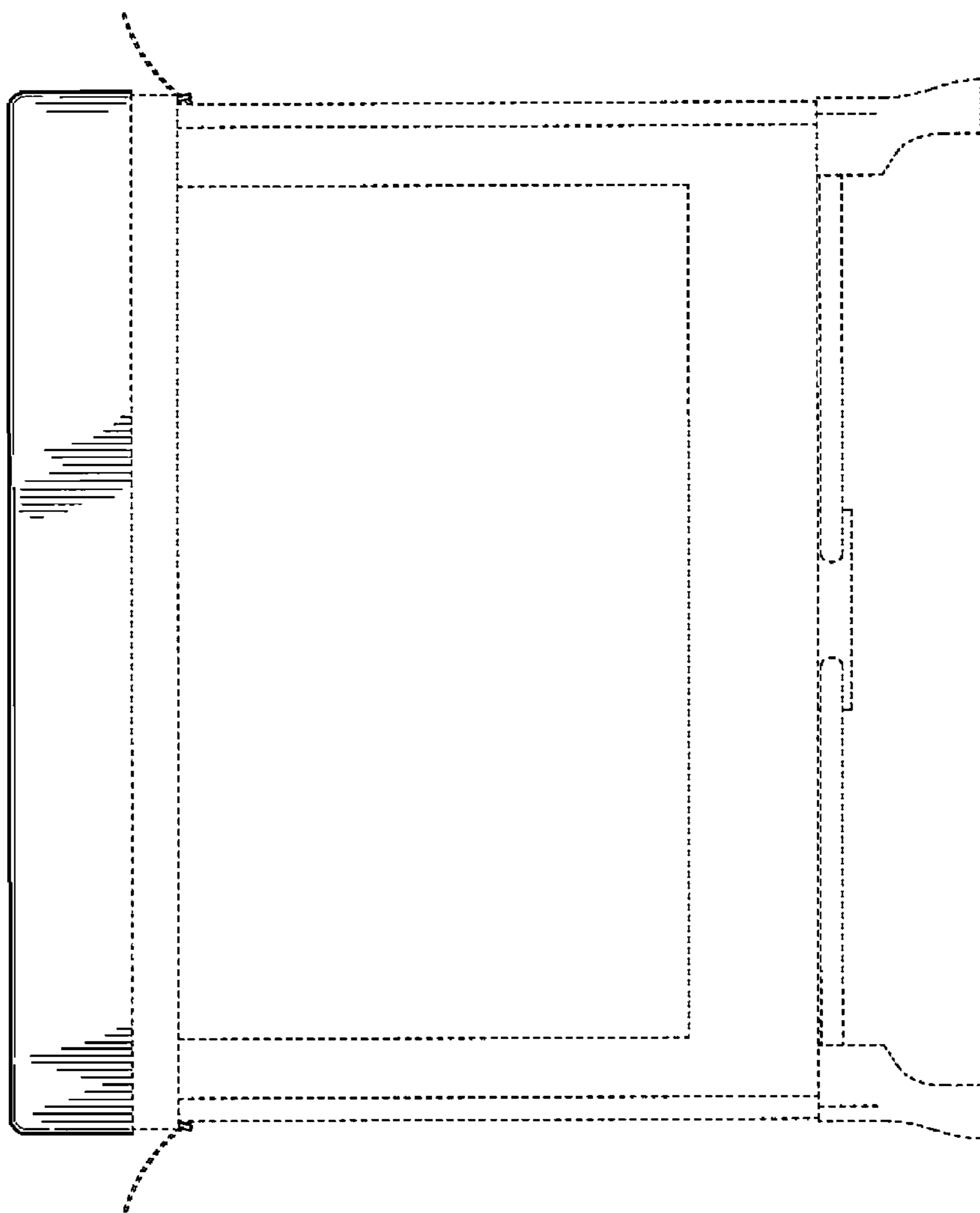


Fig. 4

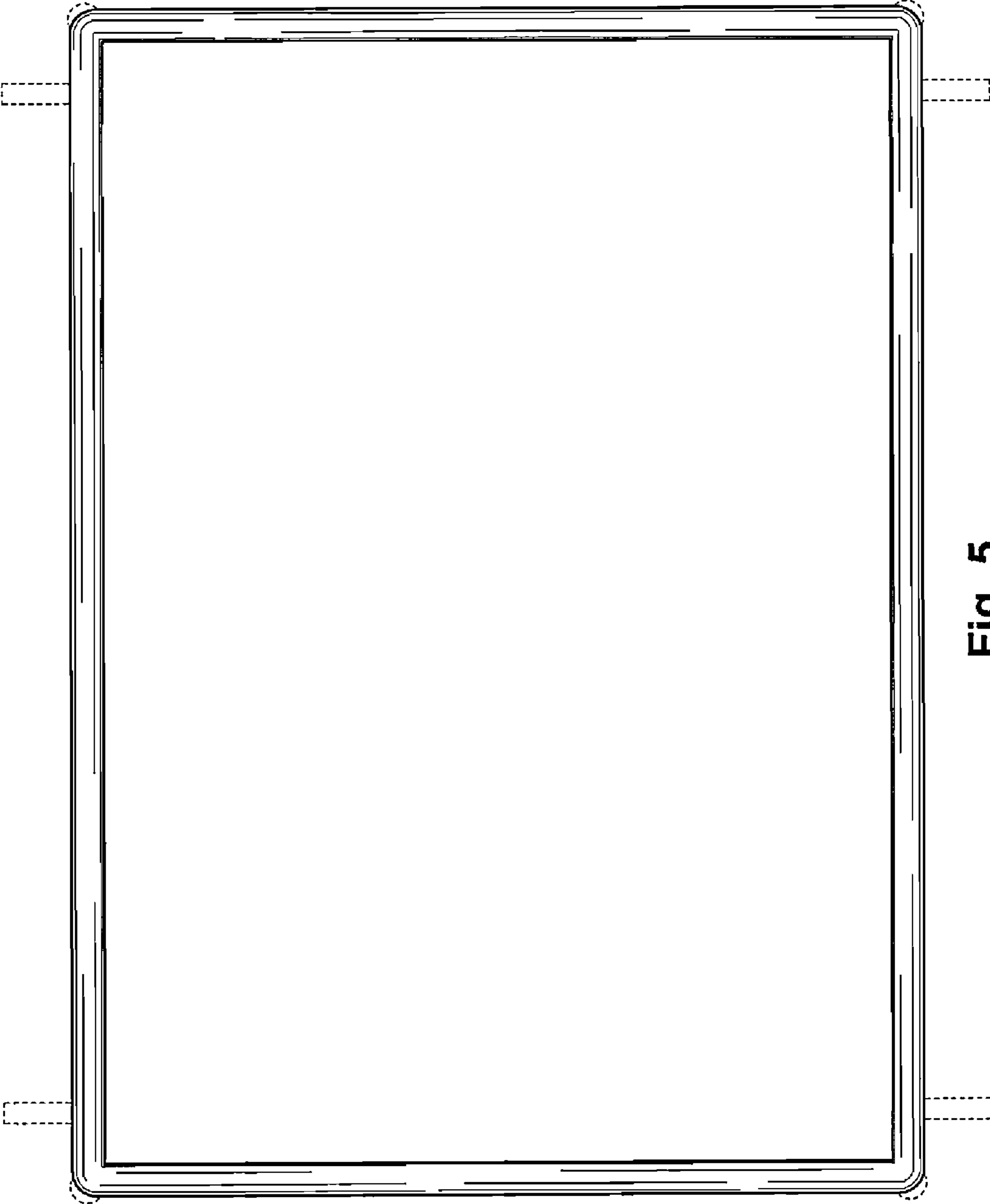


Fig. 5

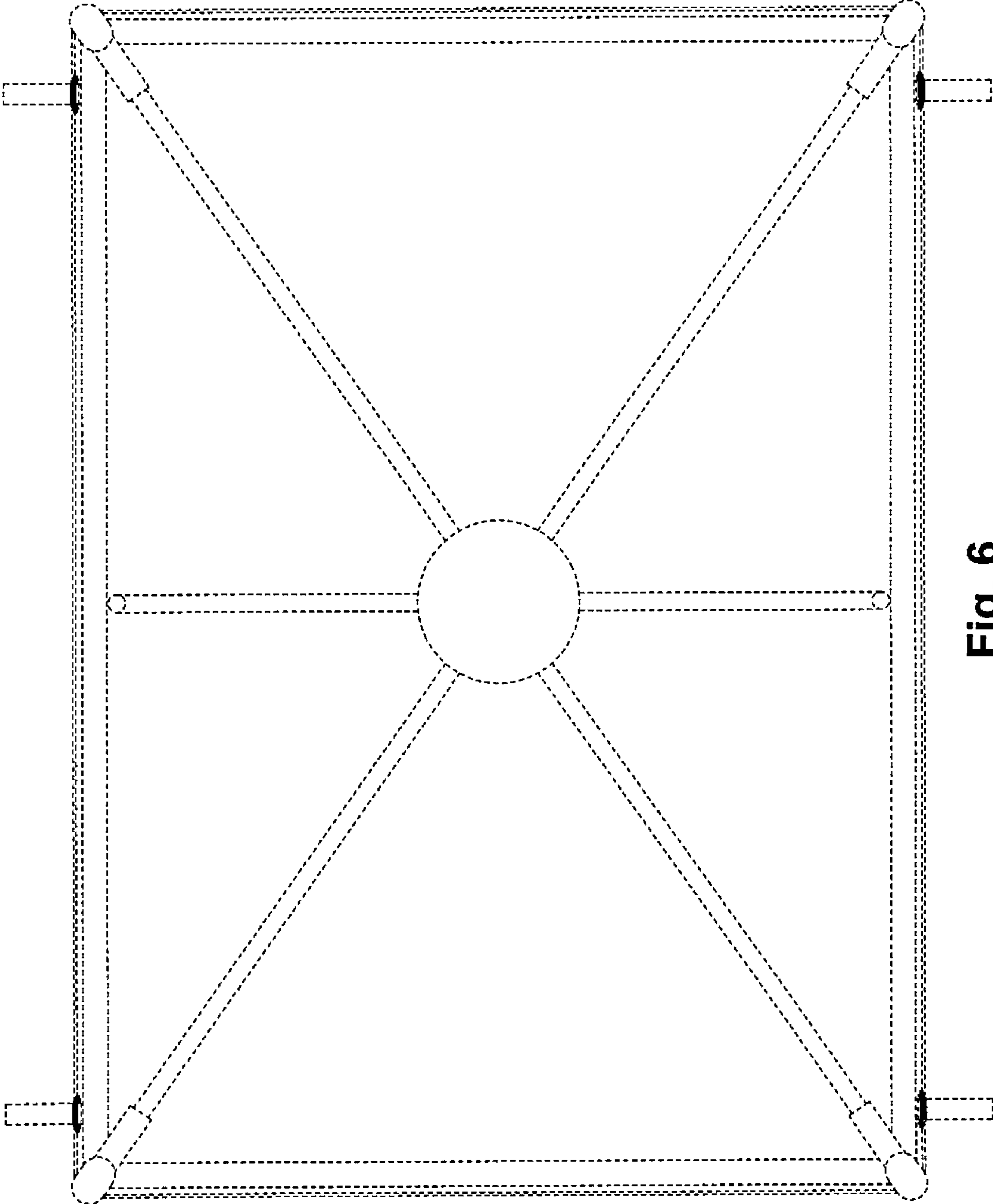


Fig. 6