



US00D732866S

(12) **United States Design Patent**
Terwelp et al.

(10) **Patent No.:** **US D732,866 S**

(45) **Date of Patent:** **** Jun. 30, 2015**

(54) **DESK BARRIER**

(56) **References Cited**

(71) Applicants: **Michael Terwelp**, Wauwatosa, WI (US);
Julie Terwelp, Wauwatosa, WI (US);
Katerina Terwelp, Wauwatosa, WI (US)

U.S. PATENT DOCUMENTS

1,270,718	A	*	6/1918	Ford	108/62
3,184,073	A	*	5/1965	Bartolucci	211/132.1
D405,979	S	*	2/1999	Kramer et al.	D6/421
D406,478	S	*	3/1999	Rahman	D6/475
D615,785	S	*	5/2010	Goldberg	D6/511

(72) Inventors: **Michael Terwelp**, Wauwatosa, WI (US);
Julie Terwelp, Wauwatosa, WI (US);
Katerina Terwelp, Wauwatosa, WI (US)

* cited by examiner

Primary Examiner — Janice Seeger

(**) Term: **14 Years**

(74) *Attorney, Agent, or Firm* — Joseph S. Heino; Patrick M. Bergin

(21) Appl. No.: **29/477,609**

(57) **CLAIM**

The ornamental design for a desk barrier, as shown and described.

(22) Filed: **Dec. 24, 2013**

DESCRIPTION

Related U.S. Application Data

(63) Continuation of application No. 13/566,858, filed on Aug. 3, 2012, now abandoned.

(51) **LOC (10) Cl.** **06-06**

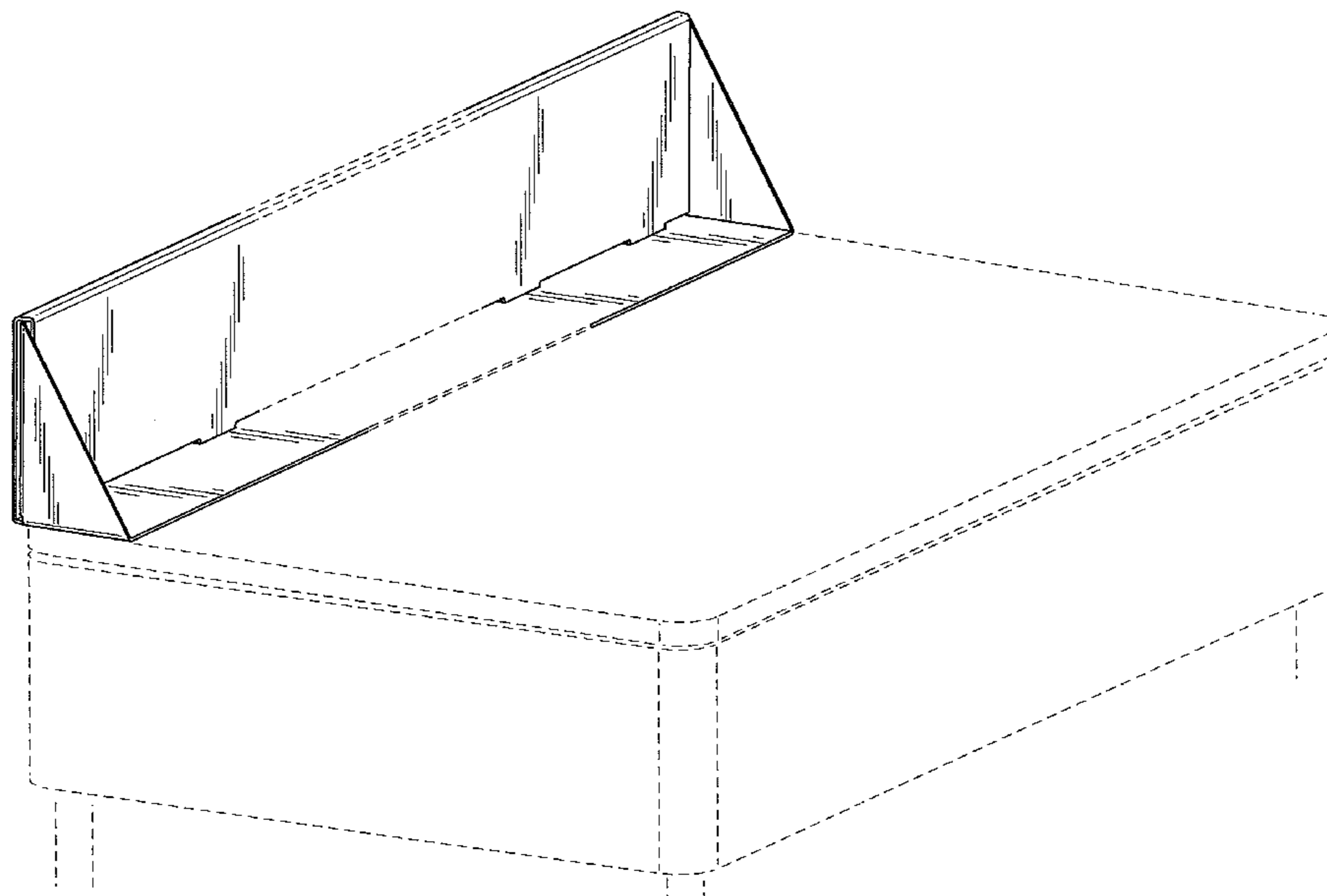
(52) **U.S. Cl.**
USPC **D6/714; D6/702**

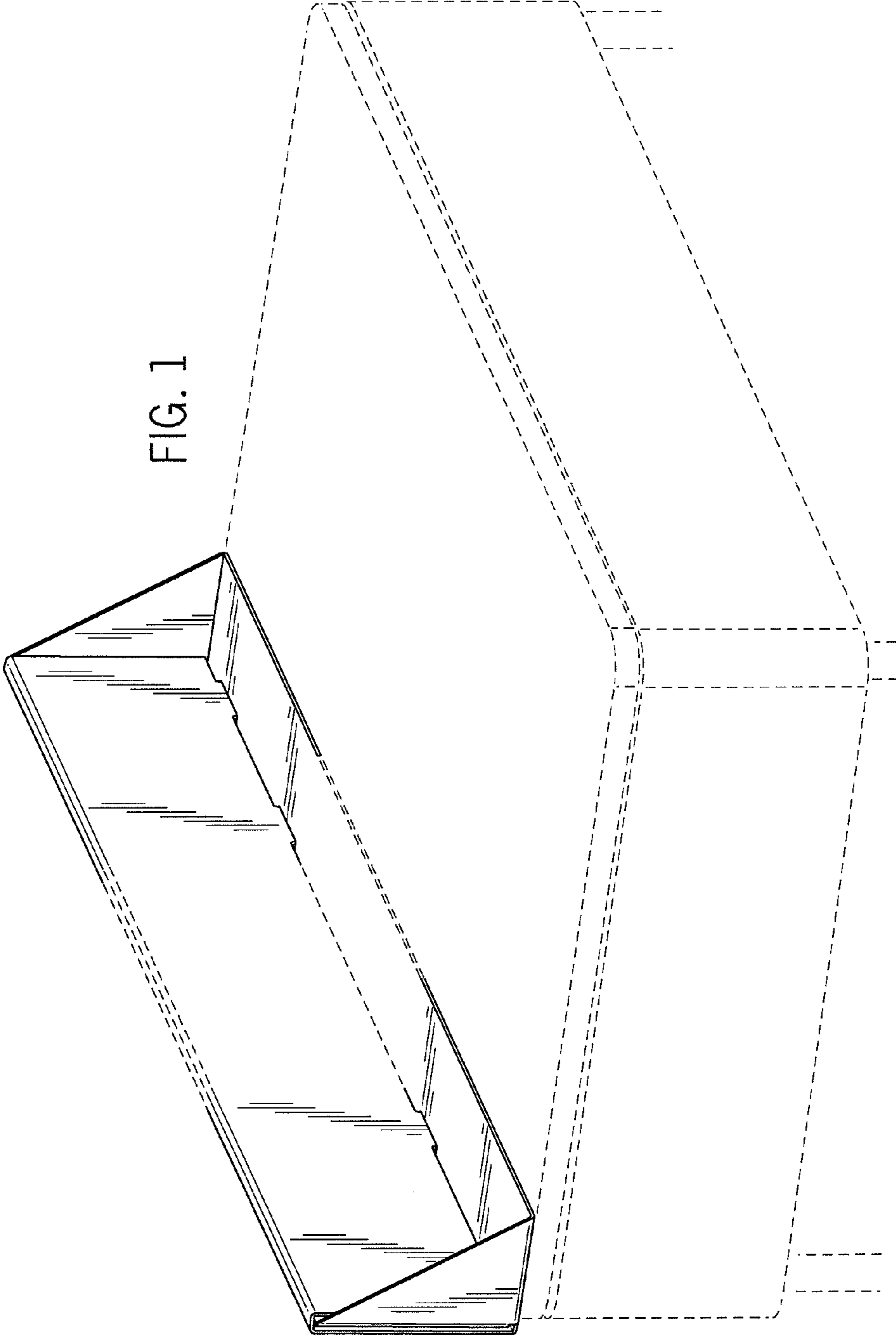
(58) **Field of Classification Search**
USPC D6/641, 642, 643, 643.1, 656, 656.1,
D6/707, 714, 683, 683.1; 108/50.01, 60,
108/157.14; 211/132.1, 135, 42, 126.16;
229/115

FIG. 1 is a perspective view of the desk barrier of the new design;
FIG. 2 is a front elevational view of the desk barrier of the new design;
FIG. 3 is a back elevational view of the desk barrier of the new design;
FIG. 4 is a top elevational view of the desk barrier of the new design;
FIG. 5 is a bottom elevational view of the desk barrier of the new design;
FIG. 6 is a left side elevational view of the desk barrier of the new design; and,
FIG. 7 is a right side elevational view of the desk barrier of the new design.
The broken lines shown in the drawings are for illustrative purposes only and do not form a part of the claimed design.

See application file for complete search history.

1 Claim, 4 Drawing Sheets





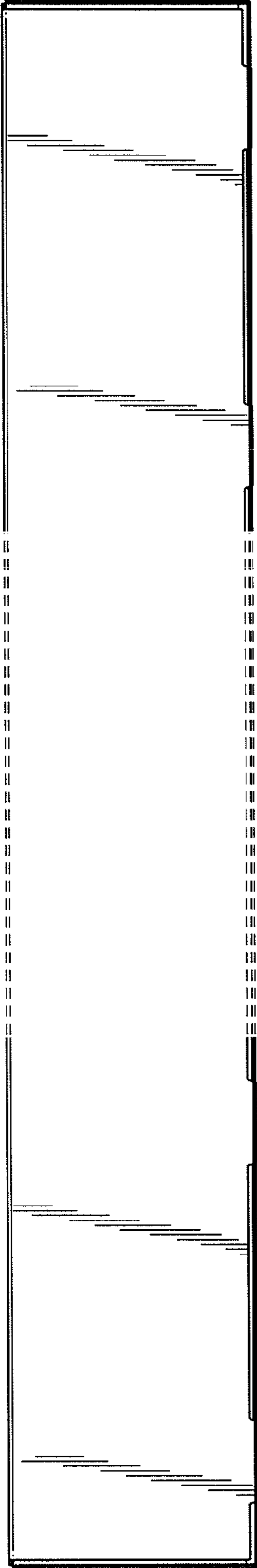


FIG. 2

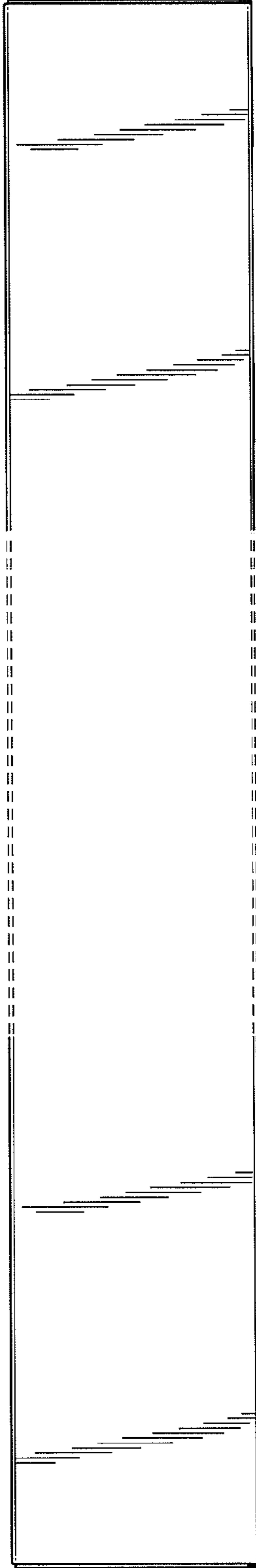


FIG. 3

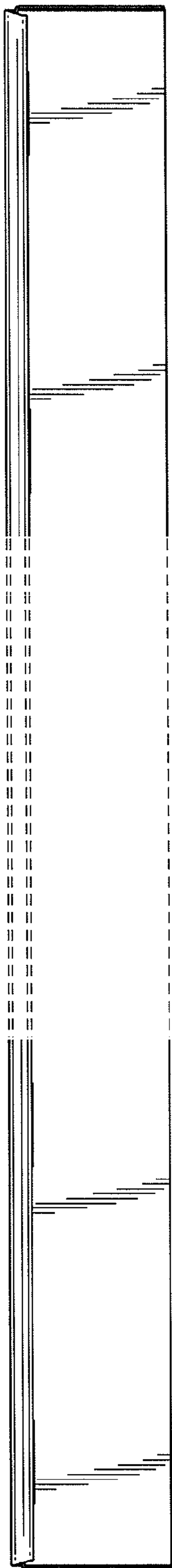


FIG. 4

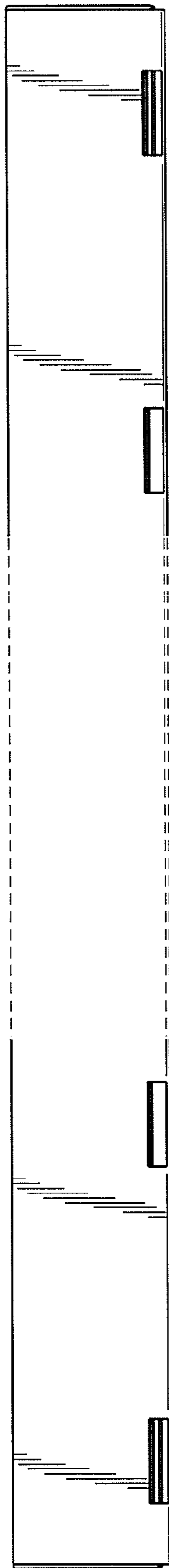


FIG. 5

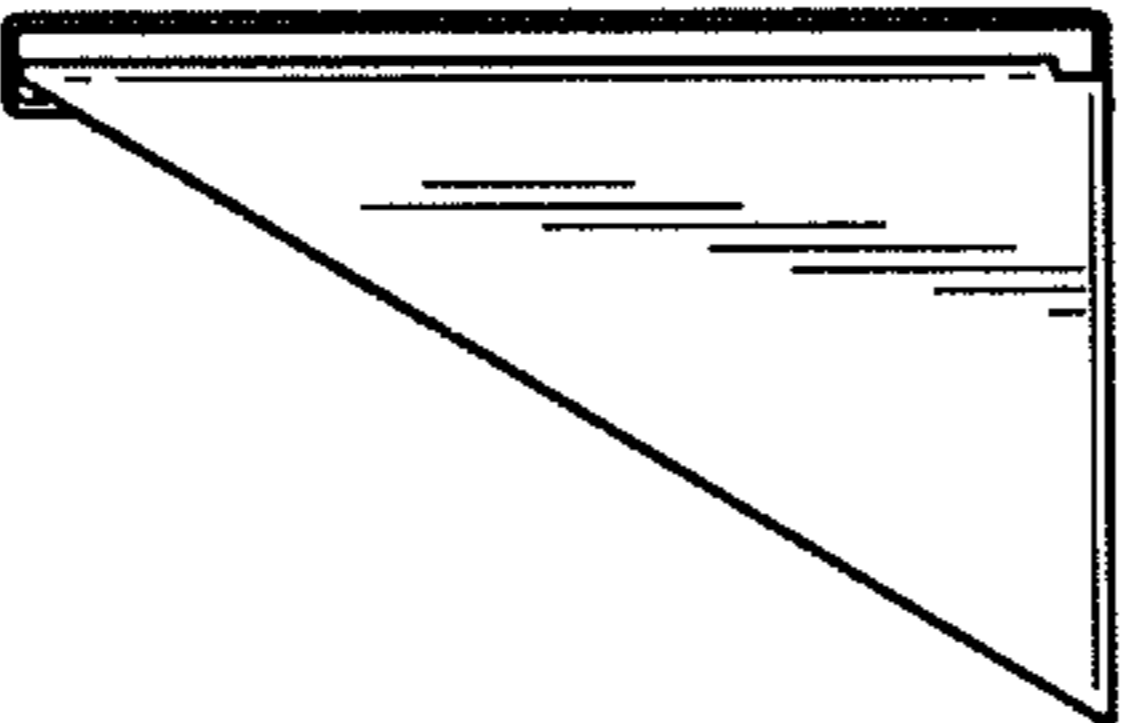


FIG. 7

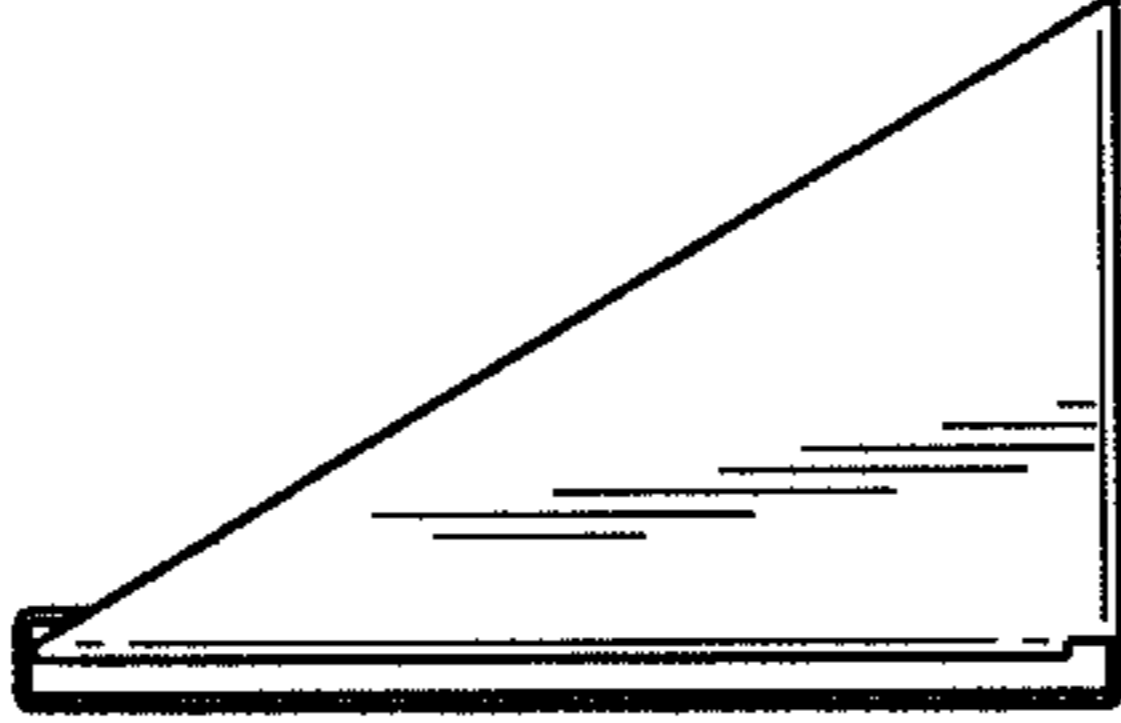


FIG. 6