



US00D732864S

(12) **United States Design Patent**
Clouse et al.

(10) **Patent No.:** **US D732,864 S**
(45) **Date of Patent:** **** Jun. 30, 2015**

- (54) **DISPLAY APPARATUS**
- (71) Applicant: **Target Brands, Inc.**, Minneapolis, MN (US)
- (72) Inventors: **Timothy M. Clouse**, Edina, MN (US);
David J. Floersch, Minneapolis, MN (US); **Thomas Conway**, Elk Grove Village, IL (US)
- (73) Assignee: **Target Brands, Inc.**, Minneapolis, MN (US)
- (**) Term: **14 Years**
- (21) Appl. No.: **29/495,202**
- (22) Filed: **Jun. 27, 2014**
- (51) **LOC (10) Cl.** **06-06**
- (52) **U.S. Cl.**
USPC **D6/705.7**
- (58) **Field of Classification Search**
USPC D6/396-397, 406.3, 449, 511, 553,
D6/566-567, 574, 705, 705.2, 705.6,
D6/705.7; 108/137, 157.1, 159.11; 211/32,
211/41.3, 41.4, 86.01, 87.01, 90.01, 90.03,
211/126.9, 134, 181.1
CPC A47F 1/00; A47B 45/00
See application file for complete search history.

- 5,947,303 A 9/1999 Robolin
- 5,957,327 A 9/1999 Whiten
- D416,722 S * 11/1999 Hartwall D6/511
- 6,059,125 A 5/2000 Parham
- 6,189,734 B1 2/2001 Apps et al.
- 6,360,901 B1 3/2002 Parham
- D457,014 S * 5/2002 Miller D6/462
- 6,394,288 B1 * 5/2002 Hartwall 211/74
- D501,621 S * 2/2005 Ayers et al. D6/574

(Continued)

FOREIGN PATENT DOCUMENTS

WO 2013022980 2/2013

OTHER PUBLICATIONS

Office Action from Canadian Patent Application No. 157,707, mailed Dec. 18, 2014 (2 pages).

Primary Examiner — Kelley Donnelly

(74) *Attorney, Agent, or Firm* — Leanne Taveggia Farrell; Westman, Champlin & Koehler, P.A.

(57) **CLAIM**

The ornamental design for a display apparatus, as shown and described.

DESCRIPTION

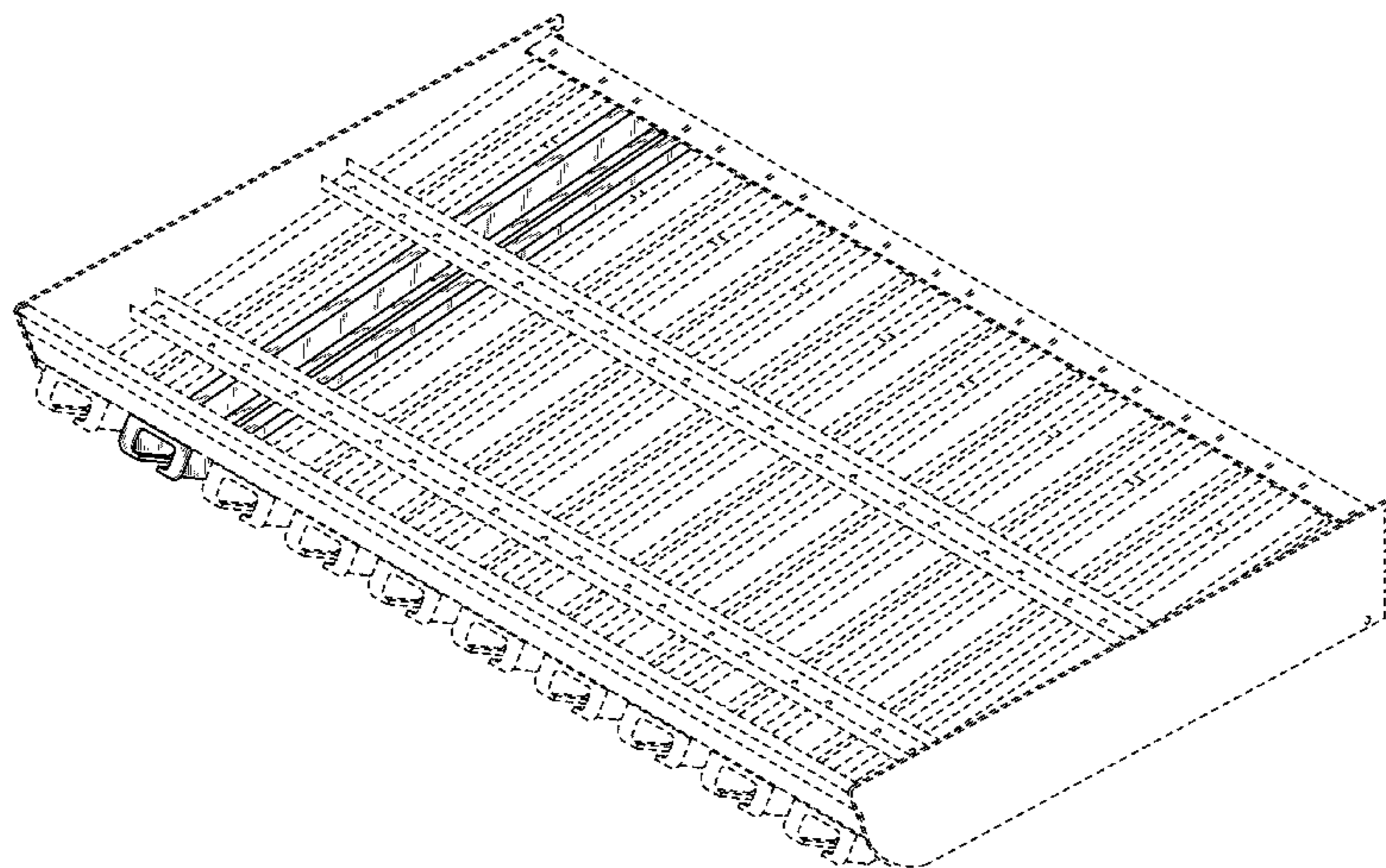
FIG. 1 is a top perspective view of a display apparatus with environment showing our new design;
 FIG. 2 is a top, right perspective view thereof;
 FIG. 3 is a top, left perspective view thereof;
 FIG. 4 is a top view thereof;
 FIG. 5 is a side view thereof, the opposing side view being a mirror image;
 FIG. 6 is a front view thereof;
 FIG. 7 is a back view thereof; and,
 FIG. 8 is a bottom view thereof.

The broken lines shown in the drawings are included for purposes of illustrating environment or portions of the display apparatus and form no part of the claimed design.

1 Claim, 2 Drawing Sheets

(56) **References Cited**
U.S. PATENT DOCUMENTS

- 3,243,220 A 3/1966 Karas
- 3,355,134 A * 11/1967 Chesley 248/250
- 4,318,485 A 3/1982 Clement
- 4,367,818 A 1/1983 Suttles
- 4,401,221 A 8/1983 Suttles
- 5,586,665 A 12/1996 Brousseau
- 5,706,978 A 1/1998 Spamer et al.
- 5,718,341 A 2/1998 Robertson
- 5,779,068 A 7/1998 Whiten et al.
- 5,806,417 A 9/1998 Whiten et al.
- 5,878,894 A 3/1999 Robertson



(56)

References Cited

U.S. PATENT DOCUMENTS

D521,286 S * 5/2006 Colmenares D6/511
D524,586 S * 7/2006 Menard D6/629
D551,263 S * 9/2007 Becke D15/89
D586,148 S * 2/2009 Mason D6/408
D632,907 S * 2/2011 Clark et al. D6/511

D676,694 S * 2/2013 Daily D6/707.22
D677,094 S * 3/2013 Mansor D6/574
D687,253 S * 8/2013 McIntyre D6/705.6
D701,408 S * 3/2014 Mason et al. D6/705.7
D710,633 S * 8/2014 Mudrick D6/675.5
D716,090 S * 10/2014 Schepens D6/705.7
D716,581 S * 11/2014 Davis D6/574
D720,952 S * 1/2015 Breeden et al. D6/682.4

* cited by examiner

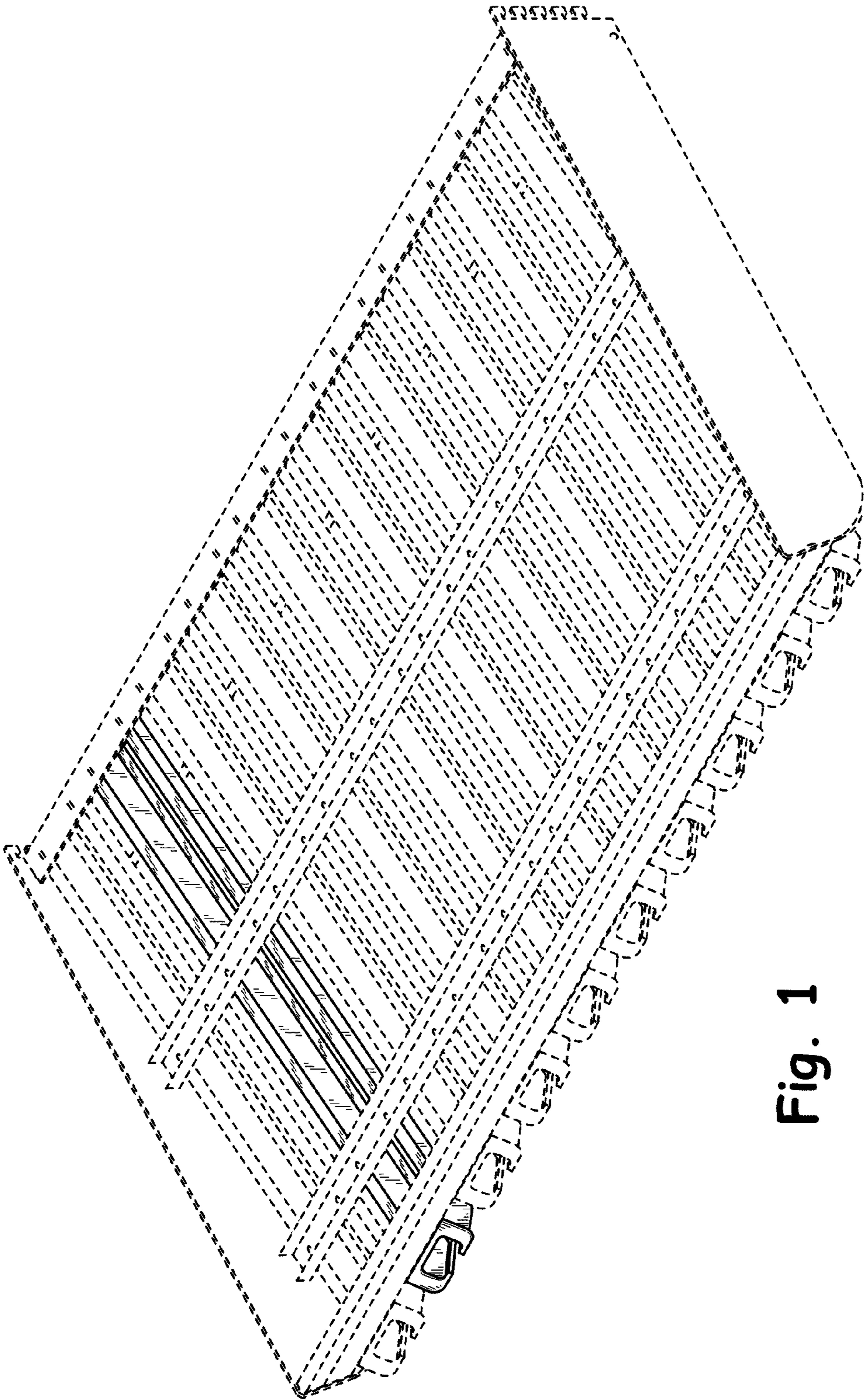


Fig. 1

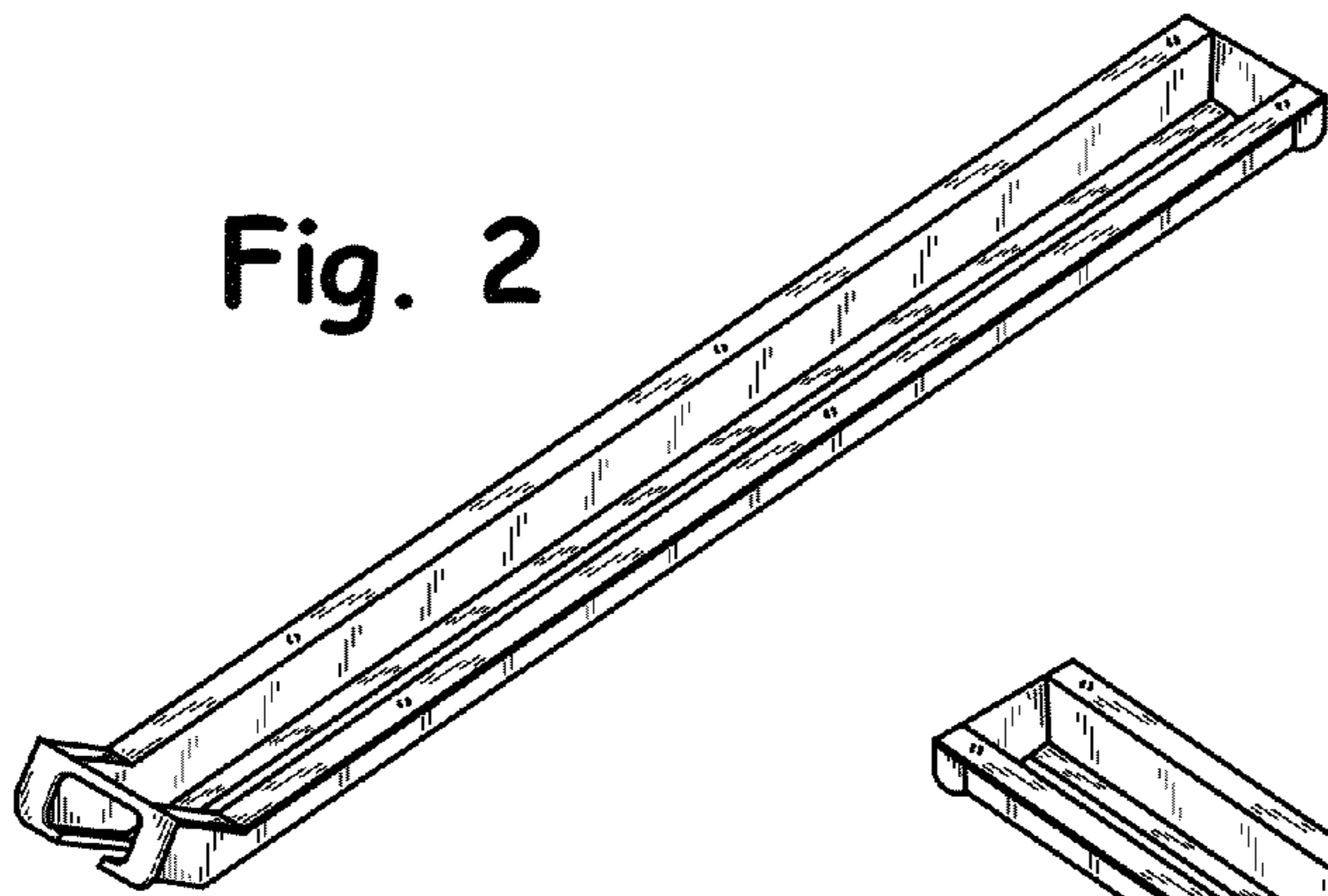


Fig. 2

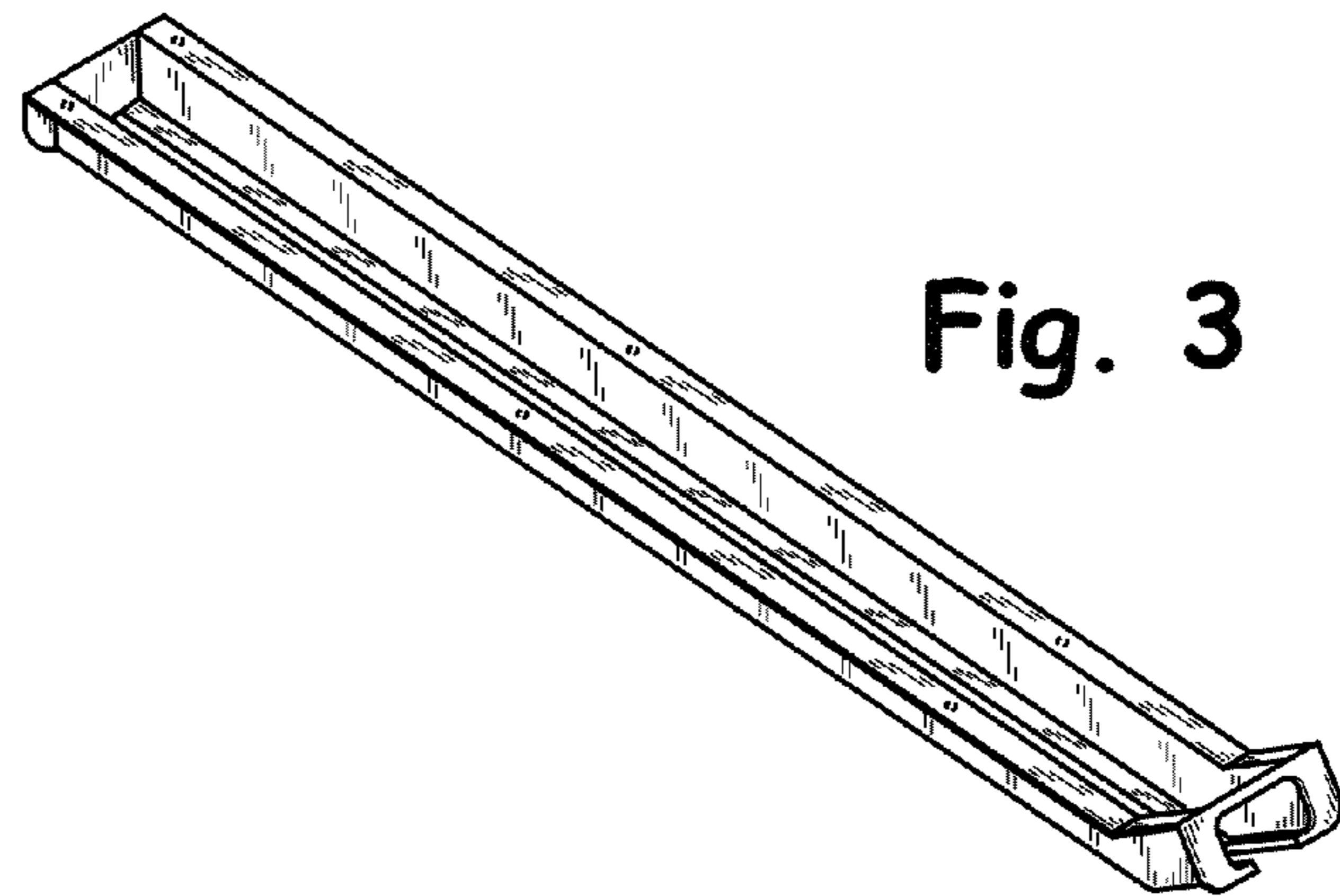


Fig. 3

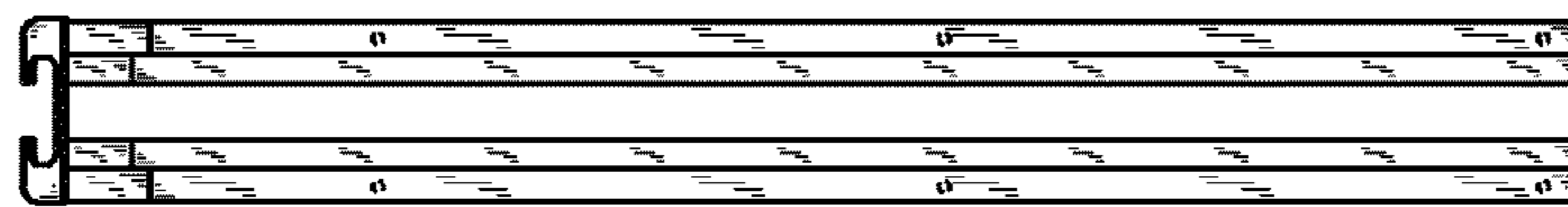


Fig. 4

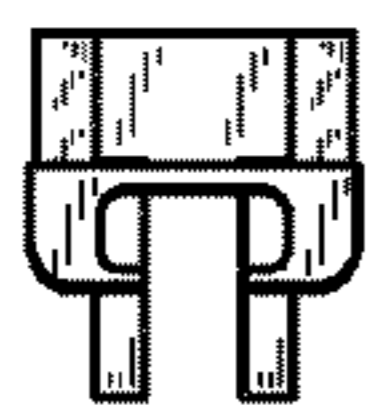


Fig. 6



Fig. 5

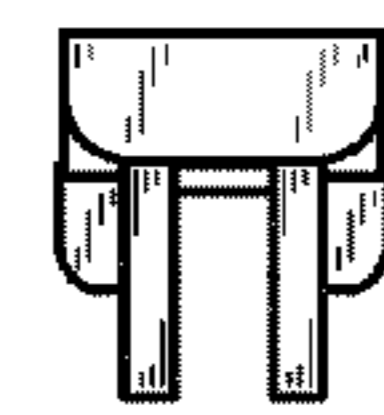


Fig. 7

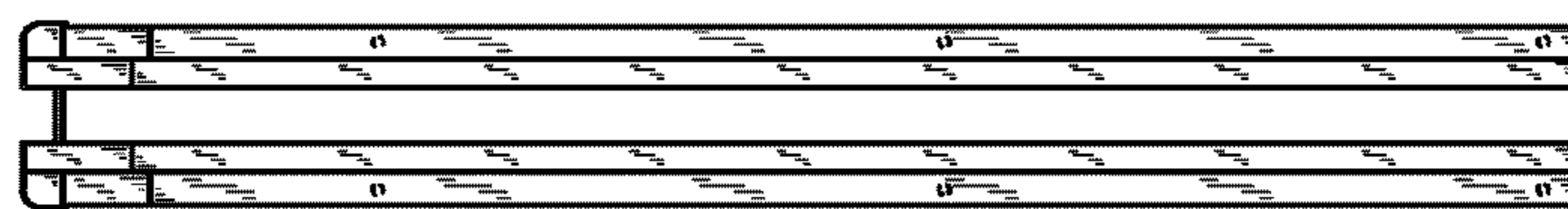


Fig. 8