



US00D732863S

(12) **United States Design Patent**
Troyner et al.

(10) **Patent No.:** **US D732,863 S**
(45) **Date of Patent:** **** Jun. 30, 2015**

- (54) **SHELF SUPPORT BEAM**
- (71) Applicant: **Edsal Manufacturing Company, Inc,**
Chicago, IL (US)
- (72) Inventors: **Anthony J. Troyner**, Shorewood, IL
(US); **Antonio Luis Escalante**, Chicago,
IL (US); **David J. Wojtowicz**, Orland
Park, IL (US); **Mitchell Liss**,
Northbrook, IL (US)
- (73) Assignee: **Edsal Manufacturing Company, Inc.,**
Chicago, IL (US)
- (**) Term: **14 Years**
- (21) Appl. No.: **29/490,184**
- (22) Filed: **May 7, 2014**

- D271,423 S * 11/1983 Sundeby et al. D25/121
- 4,825,529 A 5/1989 Sawada et al.
- D357,407 S 4/1995 Pate
- D395,816 S 7/1998 Colodny
- D399,977 S * 10/1998 Laga D25/67
- D421,067 S 2/2000 Weiller
- D470,926 S 2/2003 Knight
- D482,404 S 11/2003 McIlvaine
- D486,676 S 2/2004 Campbell et al.

(Continued)

Primary Examiner — Kelley Donnelly

(74) *Attorney, Agent, or Firm* — Wood, Herron & Evans,
LLP

(57) **CLAIM**

The ornamental design for a shelf support beam, as shown and described.

DESCRIPTION

FIG. 1 is an isometric view of the shelf support beam of our new design;
 FIG. 2 is a front isometric view thereof;
 FIG. 3 is another front isometric view thereof;
 FIG. 4 is a rear isometric view thereof;
 FIG. 5 is a front elevational view thereof;
 FIG. 6 is a rear elevational view thereof;
 FIG. 7 is a top plan view thereof;
 FIG. 8 is a bottom view thereof;
 FIG. 9 is a left side elevational view thereof, a right side elevational view being a mirror image;
 FIG. 10 is a cross-sectional view of a portion of FIG. 3; and,
 FIG. 11 is a rear cross section view of FIG. 10.

The broken lines showing are included for the purpose of illustrating environment and form no part of the claimed design.

The diagonal lines illustrated on the end of the enlarged portion of the shelf support beam in FIG. 10 represent a cross-sectional view and does not form part of the claimed design.

1 Claim, 7 Drawing Sheets

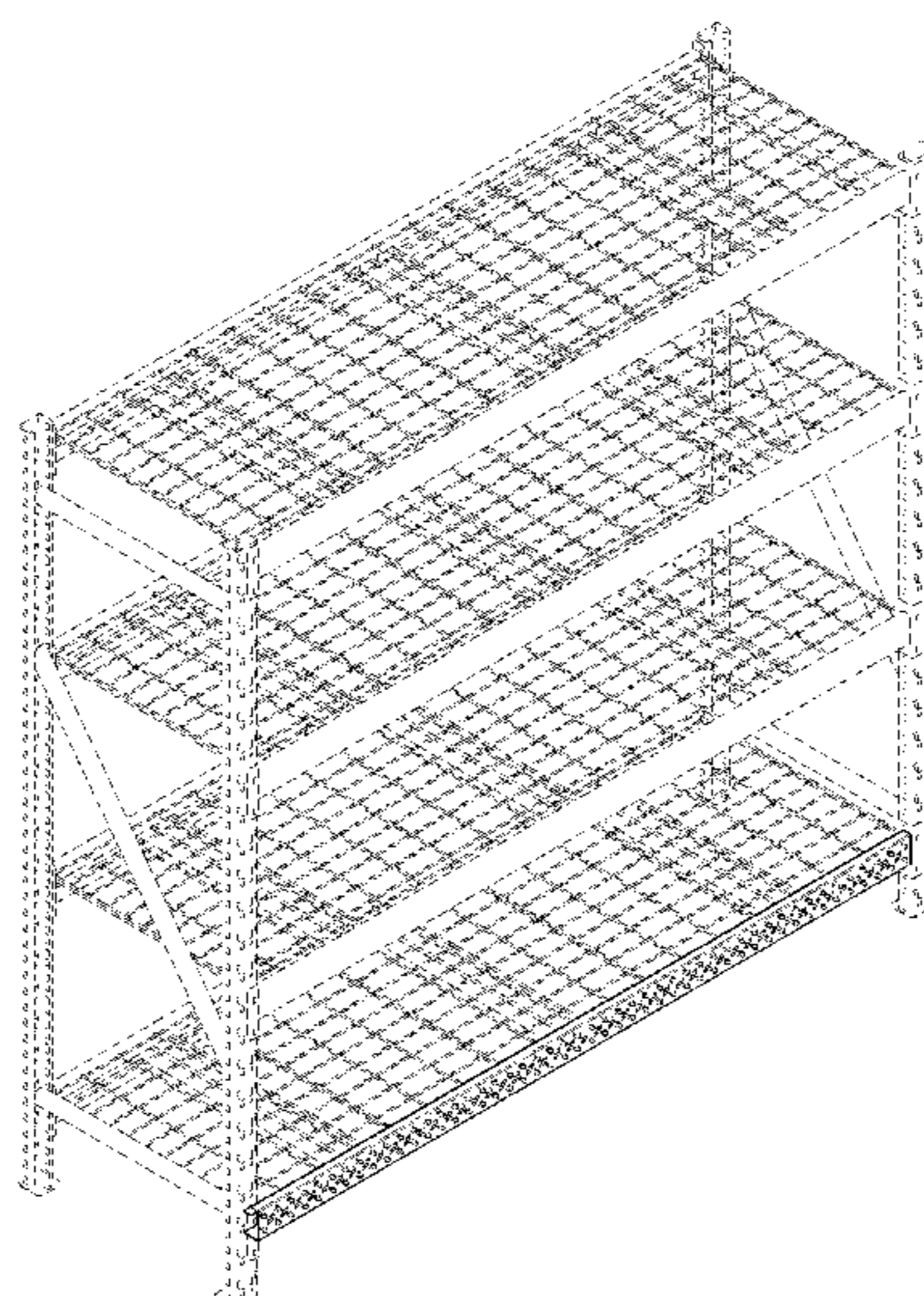
Related U.S. Application Data

- (63) Continuation of application No. 29/404,724, filed on Oct. 25, 2011, now Pat. No. Des. 714,577.
- (51) **LOC (10) Cl.** **06-06**
- (52) **U.S. Cl.**
USPC **D6/705.5**
- (58) **Field of Classification Search**
USPC D6/396, 491–492, 509–511, 702, 705,
D6/705.5; D25/119, 125–126; 248/441.1,
248/469, 473; 211/94.01; D8/380–381,
D8/356; 52/223.8, 649.2, 650.1
CPC A47B 96/021; A47B 96/06; A47B 96/066
See application file for complete search history.

(56) **References Cited**

U.S. PATENT DOCUMENTS

- D264,382 S * 5/1982 Ankarswed D25/131
- D264,756 S * 6/1982 Andersson D25/126
- D265,688 S * 8/1982 Bissu D25/132
- D270,550 S 9/1983 Sax



(56)

References Cited

U.S. PATENT DOCUMENTS

D490,260 S	5/2004	Bowen		D639,585 S	6/2011	Shen et al.	
D497,838 S *	11/2004	Anderson	D12/47	D640,123 S	6/2011	Stearns et al.	
6,988,347 B2	1/2006	Nanayakkara		D645,632 S *	9/2011	Henry et al.	D34/29
D537,325 S	2/2007	Wolff et al.		D647,246 S	10/2011	Chadwick	
D537,326 S	2/2007	Wolff et al.		D648,502 S *	11/2011	Henry et al.	D34/29
D541,438 S *	4/2007	Dempsey et al.	D25/122	D649,692 S	11/2011	Trzesniowski	
D542,421 S	5/2007	Dempsey et al.		D651,433 S	1/2012	Le et al.	
D552,975 S	10/2007	Ahlund		D652,986 S	1/2012	Trzesniowski	
D576,526 S	9/2008	McBain		D653,528 S	2/2012	Choi et al.	
D584,941 S	1/2009	Broehl et al.		D658,913 S	5/2012	Troyner et al.	
D586,206 S *	2/2009	Robbins et al.	D8/380	D659,449 S	5/2012	Lawson	
D592,938 S	5/2009	Pae et al.		D660,462 S	5/2012	Chen	
D594,386 S	6/2009	Jorgensen et al.		D660,544 S	5/2012	Onayama	
D595,069 S	6/2009	Berry et al.		D674,220 S	1/2013	Kim	
D597,353 S	8/2009	Liss et al.		D676,264 S *	2/2013	Lee	D6/717
D600,362 S	9/2009	Geffe		D677,502 S	3/2013	Ryan	
D600,398 S *	9/2009	Nourishad et al.	D26/120	D683,983 S	6/2013	Troyner et al.	
D600,826 S	9/2009	Ratanasiriwilai		D683,984 S	6/2013	Troyner et al.	
D602,764 S	10/2009	Pae et al.		D686,430 S	7/2013	Fitzgerald et al.	
D603,065 S *	10/2009	Hamilton et al.	D25/126	D690,189 S	9/2013	Wojtowicz et al.	
D604,537 S	11/2009	Liss et al.		D690,833 S *	10/2013	Edwards	D25/61
7,625,467 B2	12/2009	Ando et al.		D693,668 S	11/2013	Wojtowicz et al.	
D608,912 S *	1/2010	Betty	D25/121	D696,344 S	12/2013	Ehrlich et al.	
D609,825 S	2/2010	Clarke et al.		D696,575 S	12/2013	Heindl	
D618,365 S	6/2010	Crane		D702,466 S	4/2014	Kim	
D620,619 S *	7/2010	Teffenhardt, Jr.	D25/123	D713,187 S	9/2014	Troyner et al.	
D625,534 S	10/2010	Chen		D714,577 S	10/2014	Troyner et al.	
D626,817 S	11/2010	Donowho et al.		D723,716 S *	3/2015	Imus	D25/121
D628,409 S *	12/2010	Anzai	D6/491	2006/0175274 A1	8/2006	Yang	
7,874,125 B2	1/2011	Polk, Jr.		2006/0195980 A1	9/2006	Nagley	
D633,781 S	3/2011	Wood		2010/0139188 A1	6/2010	Callentine et al.	
				2012/0025038 A1	2/2012	Seelman et al.	
				2012/0080655 A1	4/2012	Coffin	
				2012/0138758 A1	6/2012	Graber	

* cited by examiner

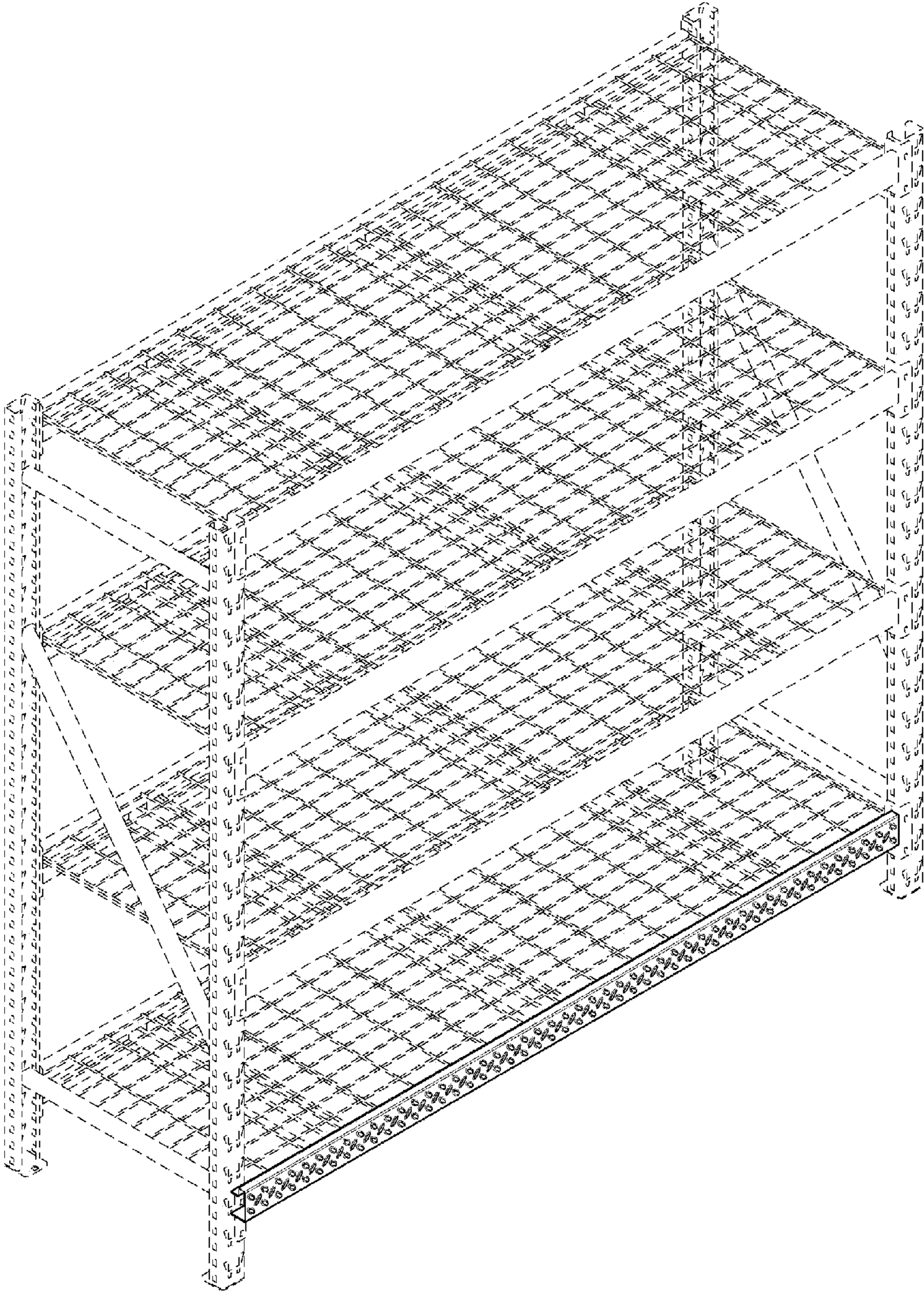


FIG. 1

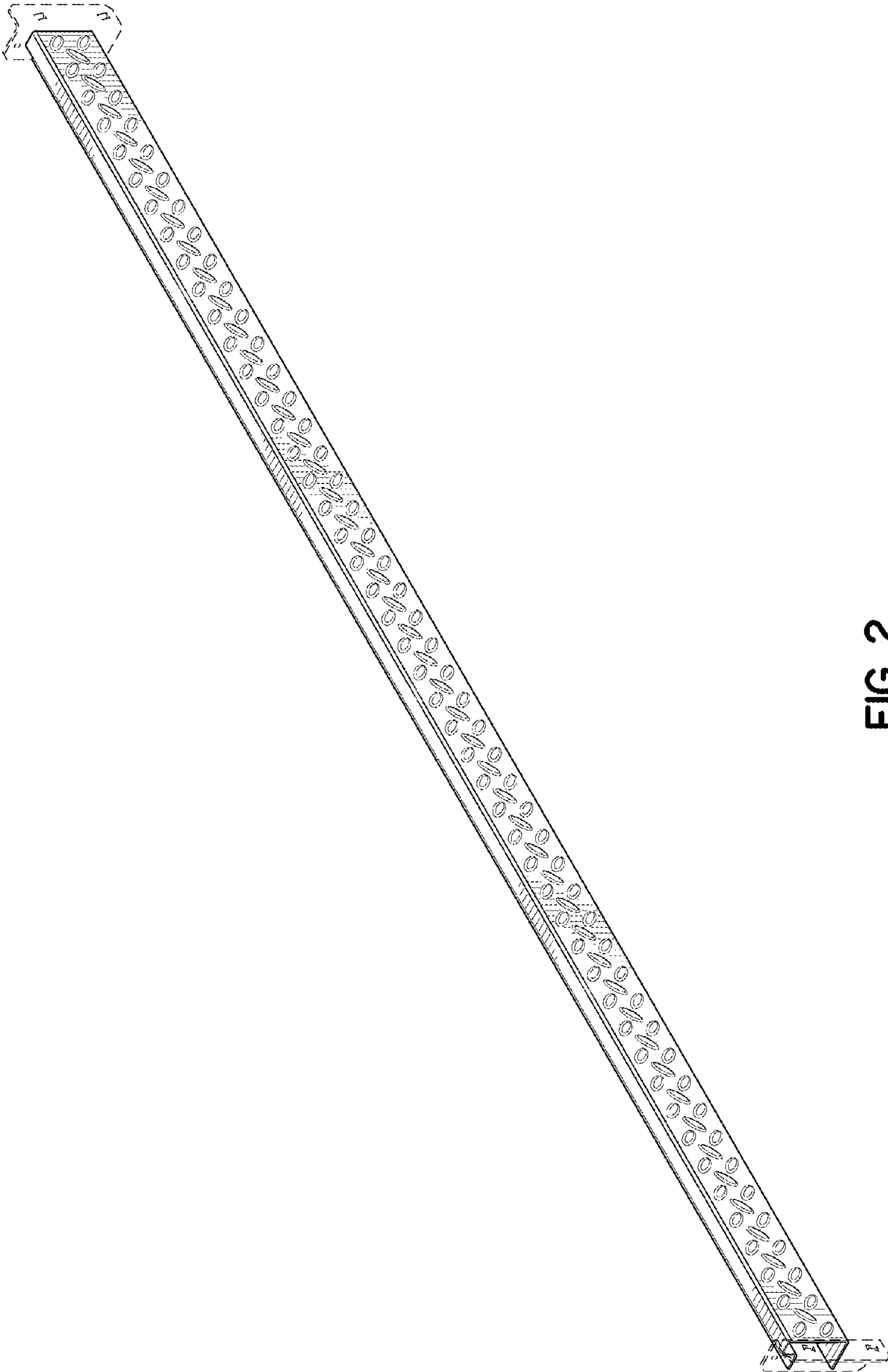


FIG. 2

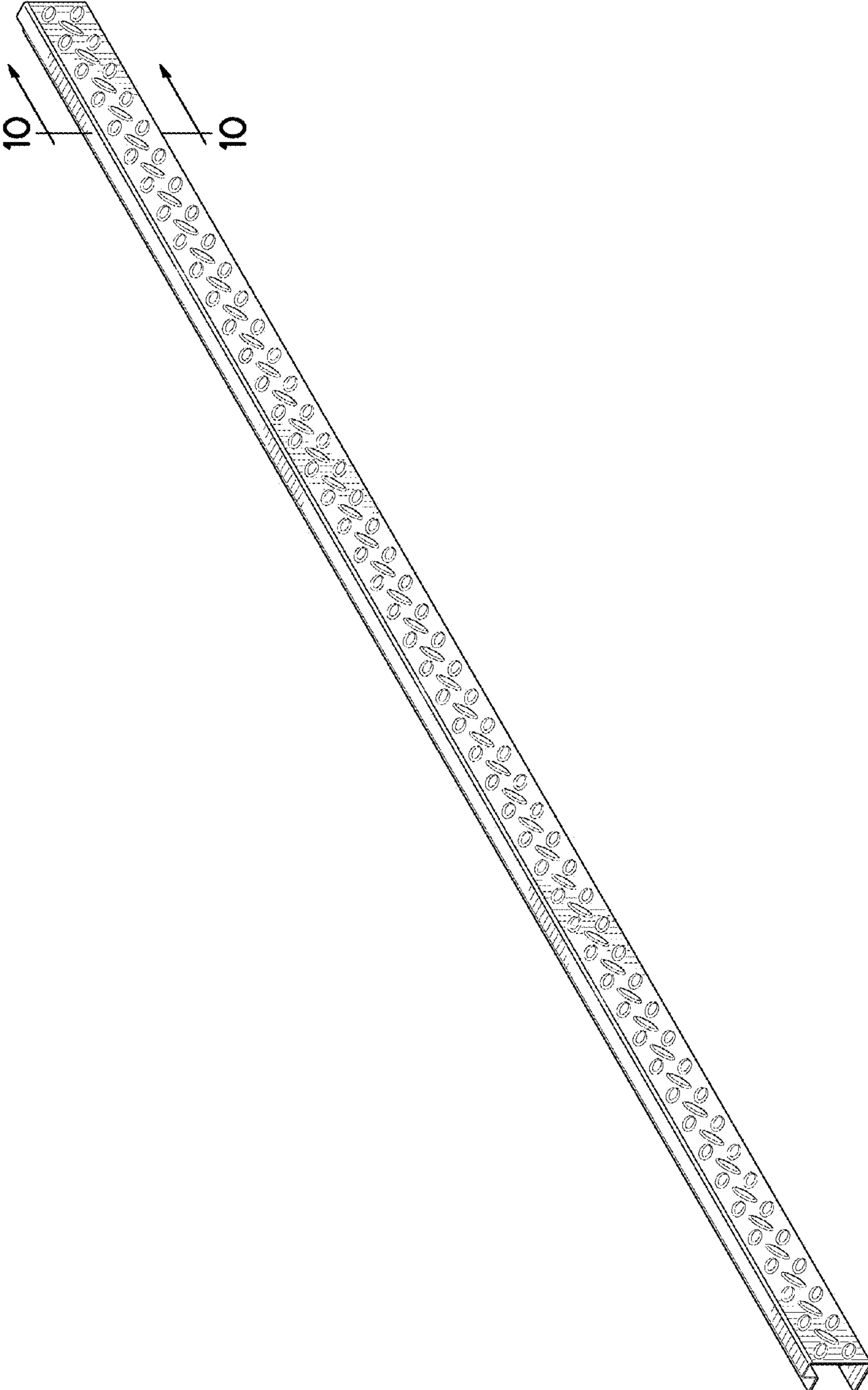


FIG. 3

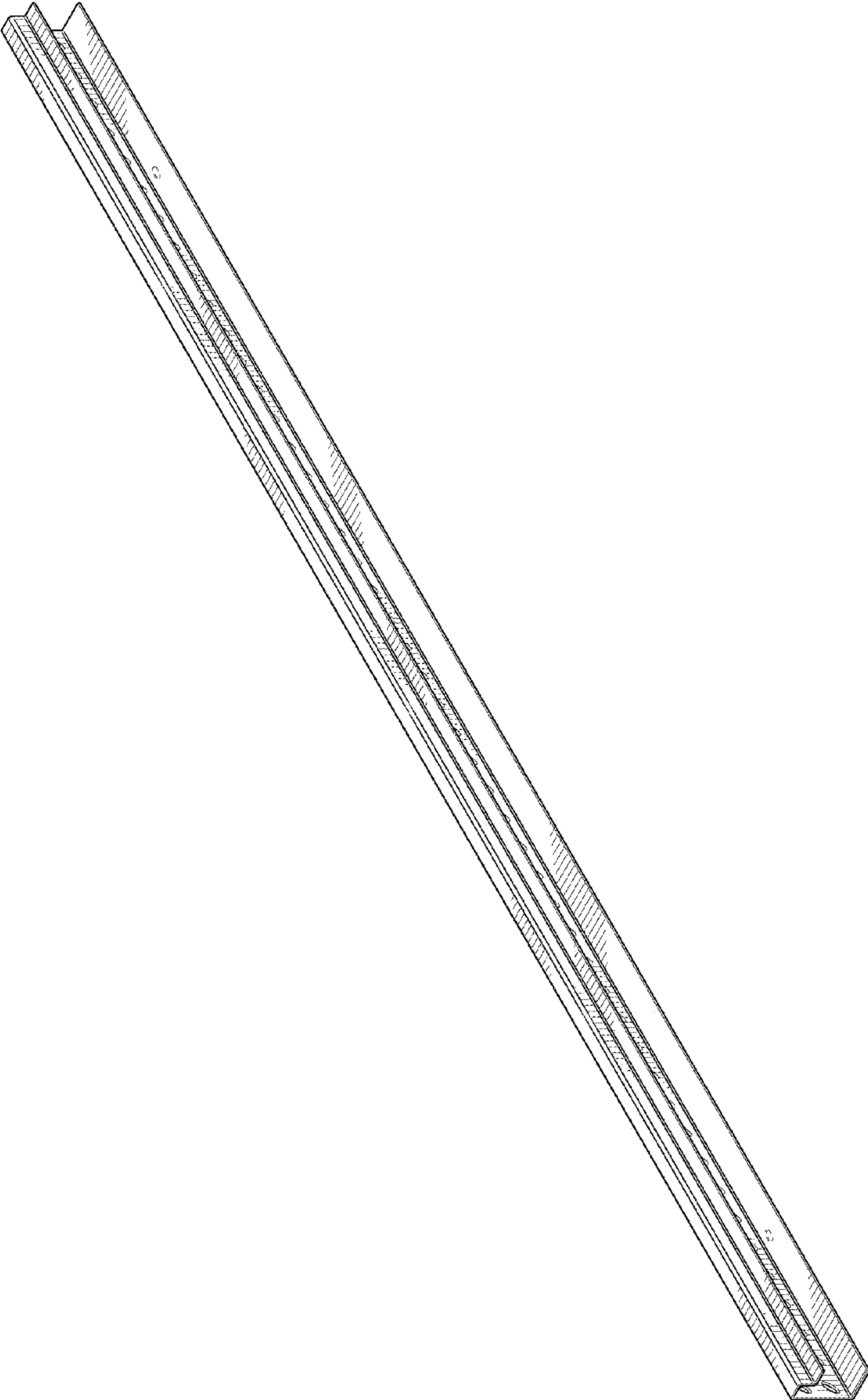


FIG. 4



FIG. 5

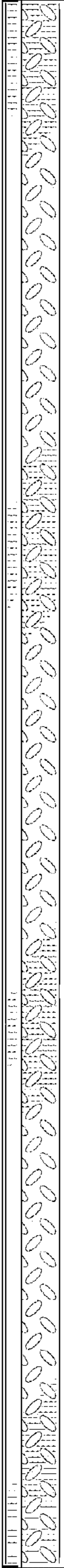


FIG. 6



FIG. 7



FIG. 8

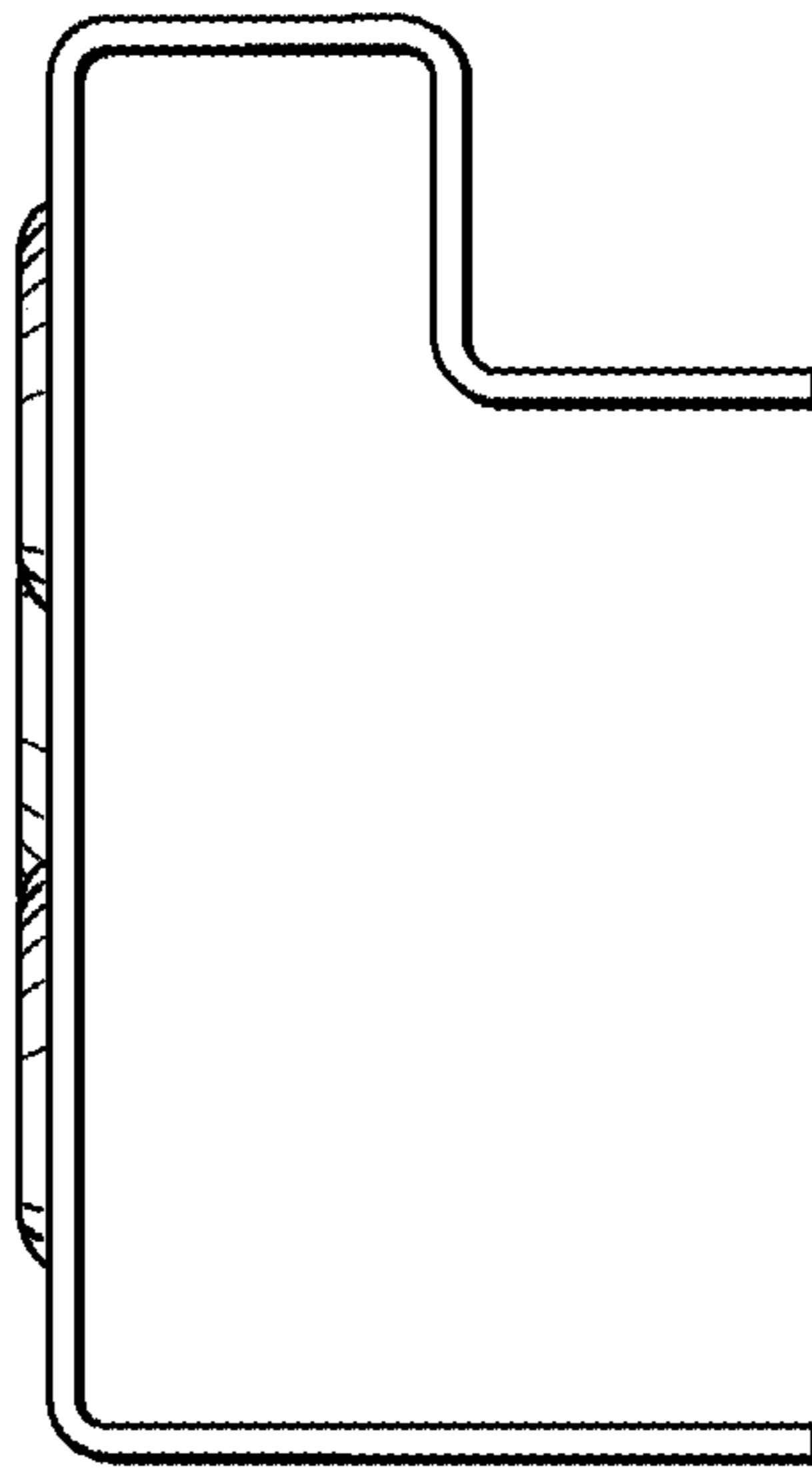


FIG. 9

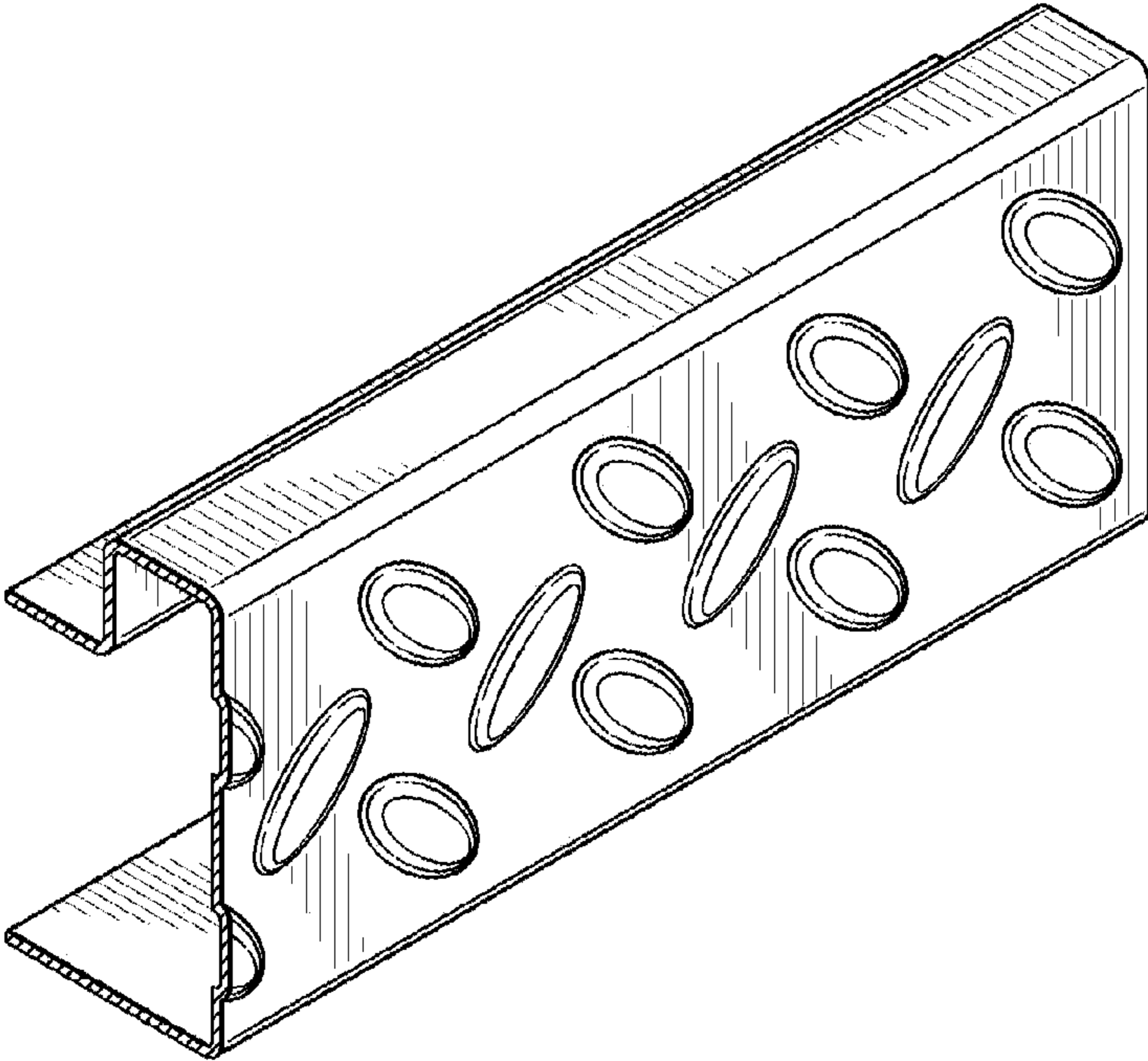


FIG. 10

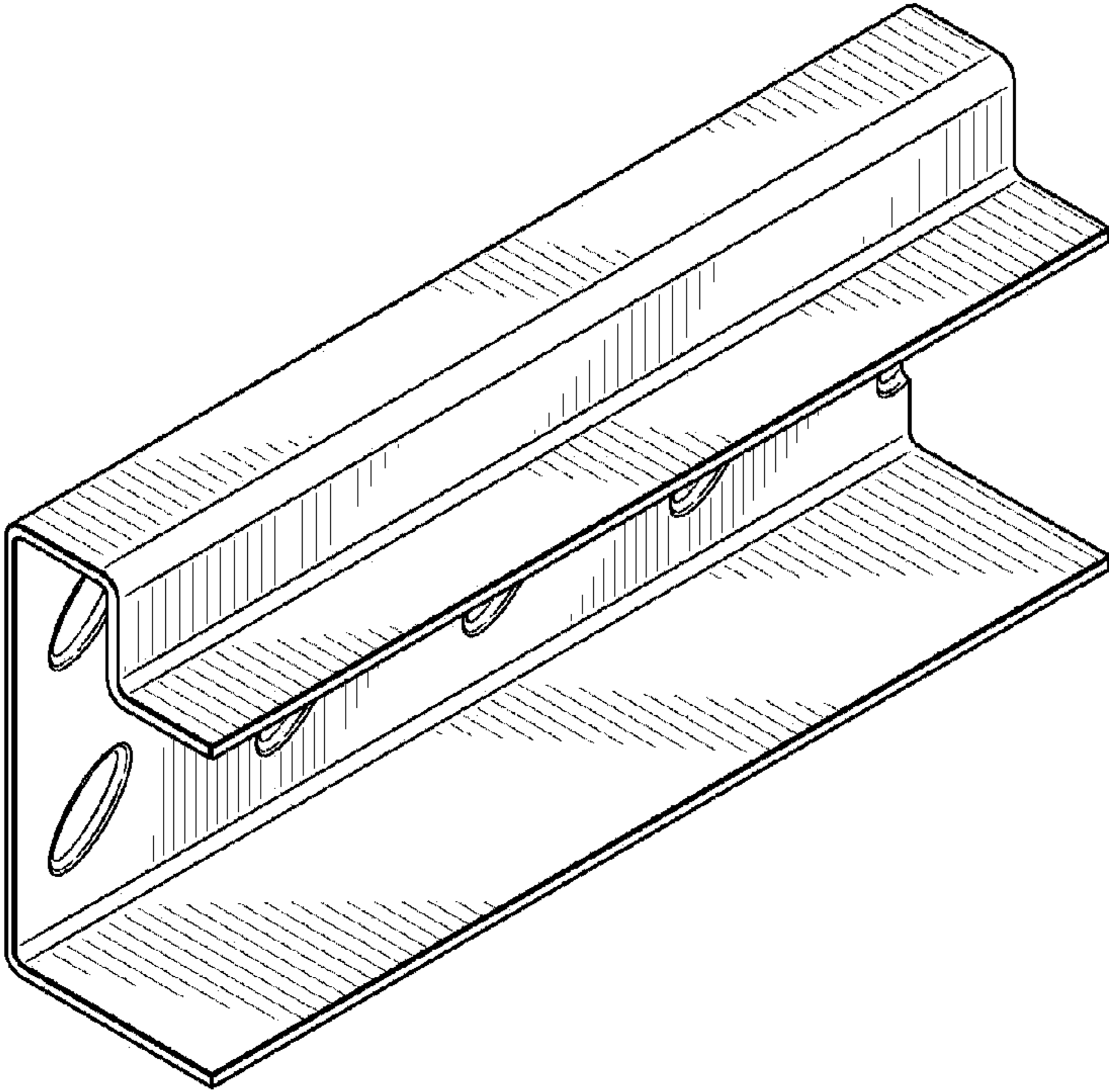


FIG. 11