



US00D732858S

(12) **United States Design Patent**
Troyner et al.

(10) **Patent No.:** **US D732,858 S**

(45) **Date of Patent:** **** Jun. 30, 2015**

(54) **TOOL CHEST**

(56) **References Cited**

(71) Applicant: **Edsal Manufacturing Co., Inc.**,
Chicago, IL (US)

(72) Inventors: **Anthony J. Troyner**, Shorewood, IL
(US); **David J. Wojtowicz**, Orland Park,
IL (US); **Scott Fitzgerald**, Lowell, IN
(US)

(73) Assignee: **Edsal Manufacturing Company, Inc.**,
Chicago, IL (US)

(**) Term: **14 Years**

U.S. PATENT DOCUMENTS

D205,522	S	*	8/1966	Doman	D6/445
D254,883	S	*	5/1980	Jorda-Segui	D6/445
D273,906	S	*	5/1984	Norlin	D34/19
D286,714	S	*	11/1986	Verholt	D6/446
5,257,860	A	*	11/1993	Slivon	312/218
5,497,878	A	*	3/1996	Sandonato	206/372
5,857,757	A	*	1/1999	Bieker et al.	312/351.3
D423,817	S	*	5/2000	Holcomb et al.	D6/445
D423,818	S	*	5/2000	Holcomb et al.	D6/445
D427,807	S	*	7/2000	Holcomb et al.	D6/445
D430,426	S	*	9/2000	Bieker et al.	D6/445
6,374,649	B1	*	4/2002	Holcomb et al.	70/78
D509,939	S	*	9/2005	Hay et al.	D34/20

(Continued)

(21) Appl. No.: **29/468,666**

FOREIGN PATENT DOCUMENTS

(22) Filed: **Oct. 2, 2013**

(51) **LOC (10) Cl.** **06-06**

(52) **U.S. Cl.**
USPC **D6/671.1**

(58) **Field of Classification Search**
USPC D3/279, 283–284, 286, 297, 318–319,
D3/905; D6/662, 663, 664.1, 668, 668.1,
D6/668.2, 669, 671, 671.1, 671.2, 671.3,
D6/671.4, 705, 705.5; D8/300; D34/19,
D34/20, 21; 70/78; 206/372; 312/107, 117,
312/138.1, 204, 218, 226–227, 237, 249.1,
312/249.4, 249.8, 249.11, 249.12, 278–282,
312/308, 311, 330.1, 332.1, 348.4, 351.3;
362/154; 451/361
CPC A47B 43/00; A47B 49/00; A47B 49/002;
A47B 67/00; A47B 67/04; A47B 87/02;
A47B 88/04; A47B 88/0411; A47B 88/20;
A47B 2210/00; A47B 2210/004; A47B
2210/0078; A47B 2210/0008; A47F 3/00;
B25B 1/22; B62B 3/00; B25H 1/04; B25H
3/00; B25H 3/003; B25H 3/04; B25H 3/006;
B25H 3/02; B25H 3/021; B25H 3/028;
E05B 65/462; E05B 65/468; F21V 33/0084

See application file for complete search history.

TW	536173	6/2003
TW	D127441	2/2009
TW	D134058	4/2010

Primary Examiner — Ricky Pham

(74) *Attorney, Agent, or Firm* — Wood, Herron & Evans,
LLP

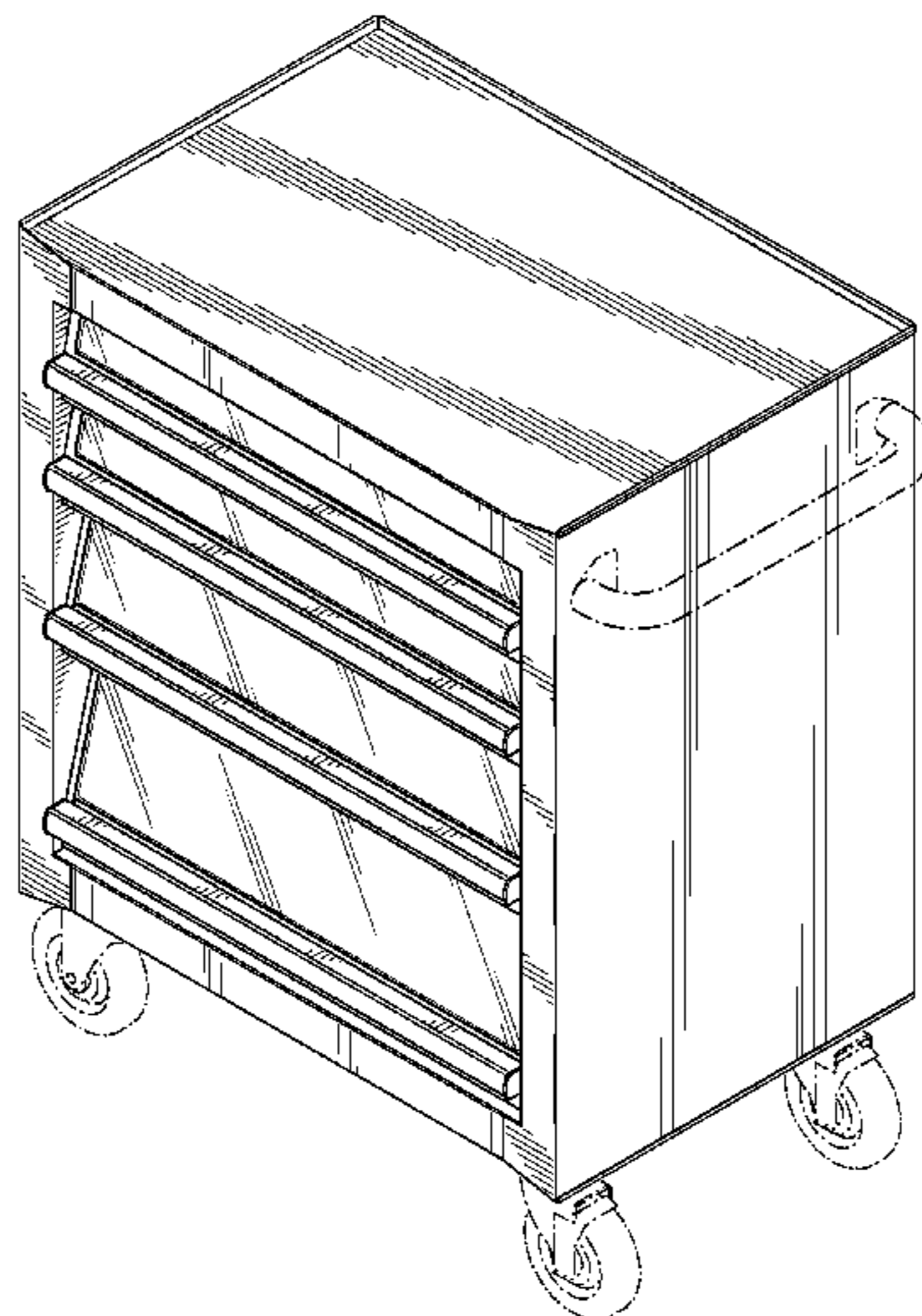
(57) **CLAIM**

The ornamental design for a tool chest, as shown and described.

DESCRIPTION

FIG. 1 is a front isometric view of our new, original and ornamental design;
FIG. 2 is a front view thereof;
FIG. 3 is a right side view, the left side view being a mirror image thereof;
FIG. 4 is a top side view thereof; and,
FIG. 5 is a bottom side view thereof.
The broken lines in the tool chest are directed to environment and form no part of the claimed design. Additionally, the unshown portion of the tool chest forms no part of the claimed design.

1 Claim, 4 Drawing Sheets



(56)

References Cited

U.S. PATENT DOCUMENTS

7,048,347 B1 *	5/2006	Liu	312/332.1	D587,013 S *	2/2009	Hand	D3/318
D554,370 S *	11/2007	Hand	D3/297	D587,047 S *	2/2009	Kalkwarf	D6/510
7,338,354 B2 *	3/2008	Liu	451/361	D589,718 S *	4/2009	Hand	D6/400
D574,629 S *	8/2008	Kalkwarf	D6/445	D589,731 S *	4/2009	Kohagen et al.	D6/510
D586,597 S *	2/2009	Hand	D6/510	D608,109 S *	1/2010	Hand	D6/445
				2007/0063624 A1 *	3/2007	Liao	312/282
				2007/0228903 A1 *	10/2007	Liu	312/280
				2008/0180944 A1 *	7/2008	Galvez et al.	362/154

* cited by examiner

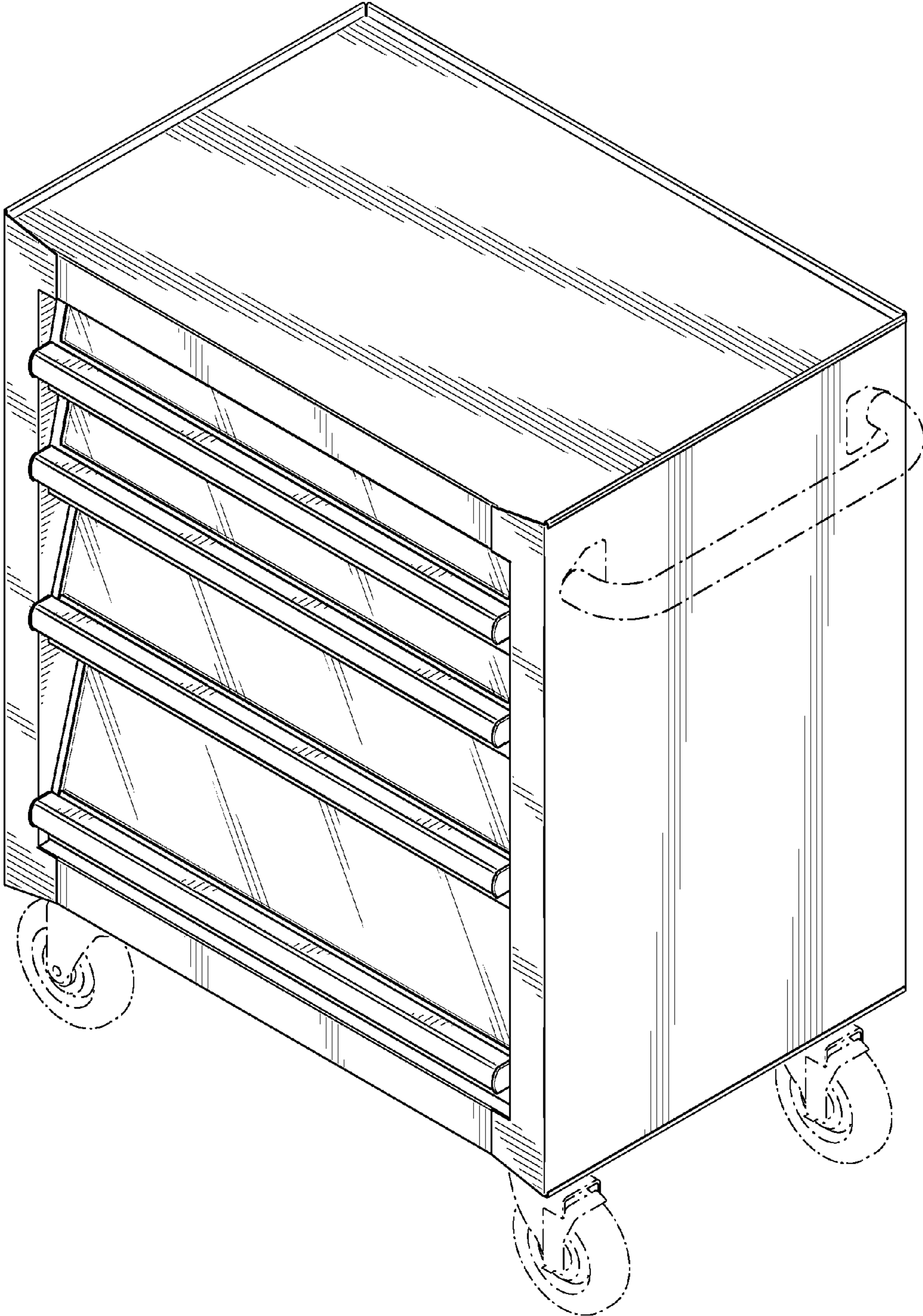


FIG. 1

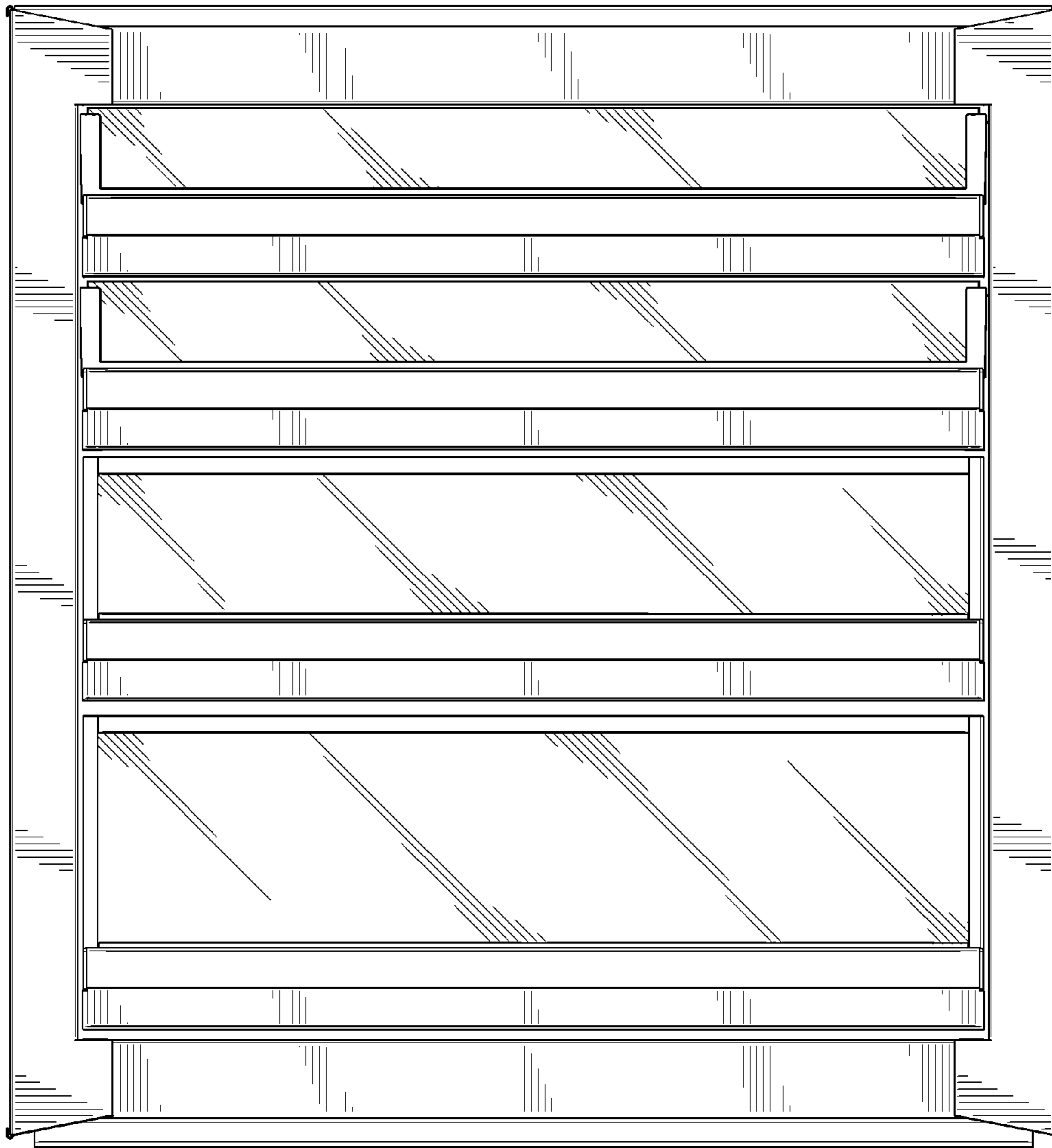


FIG. 2

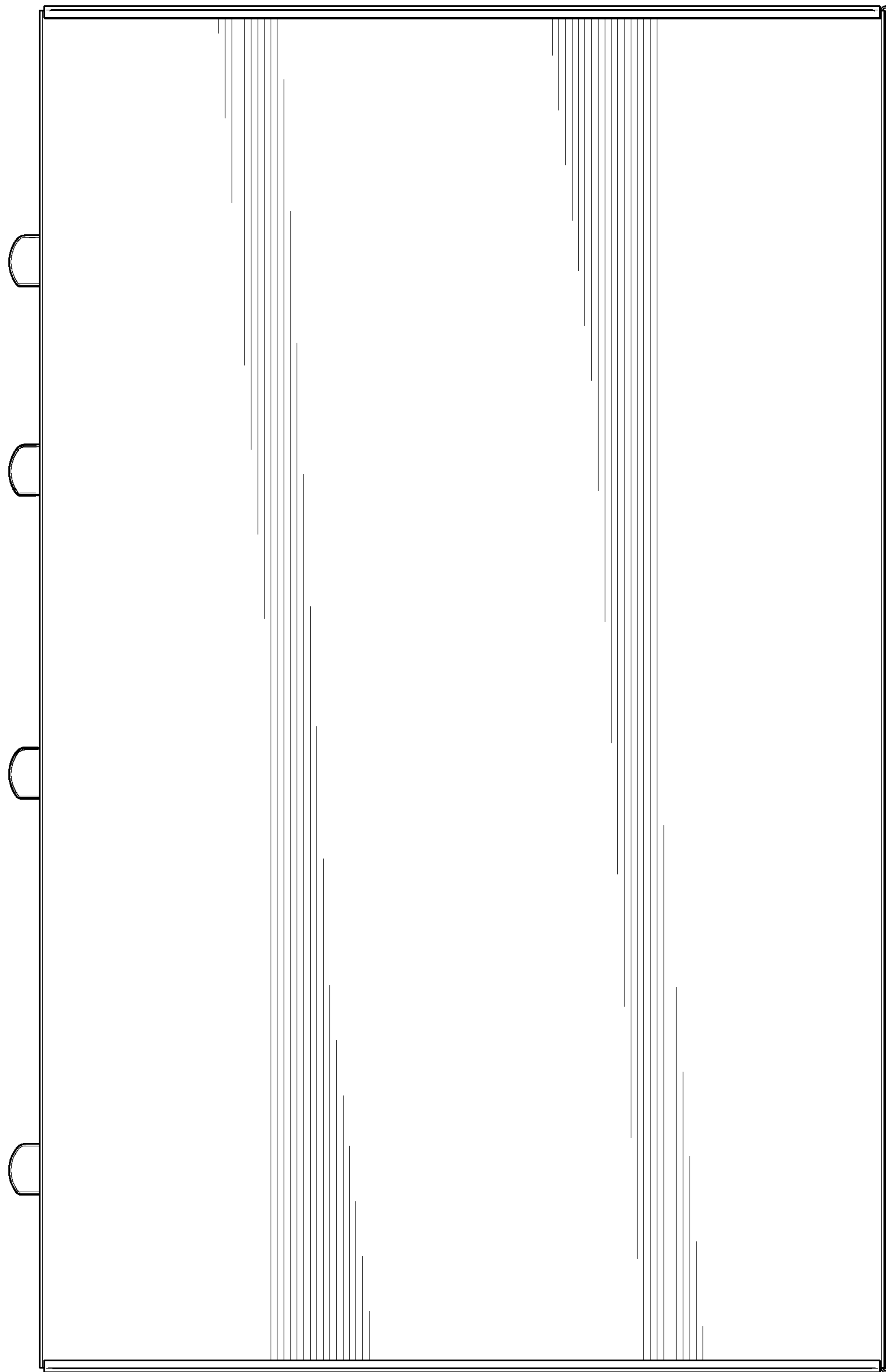


FIG. 3

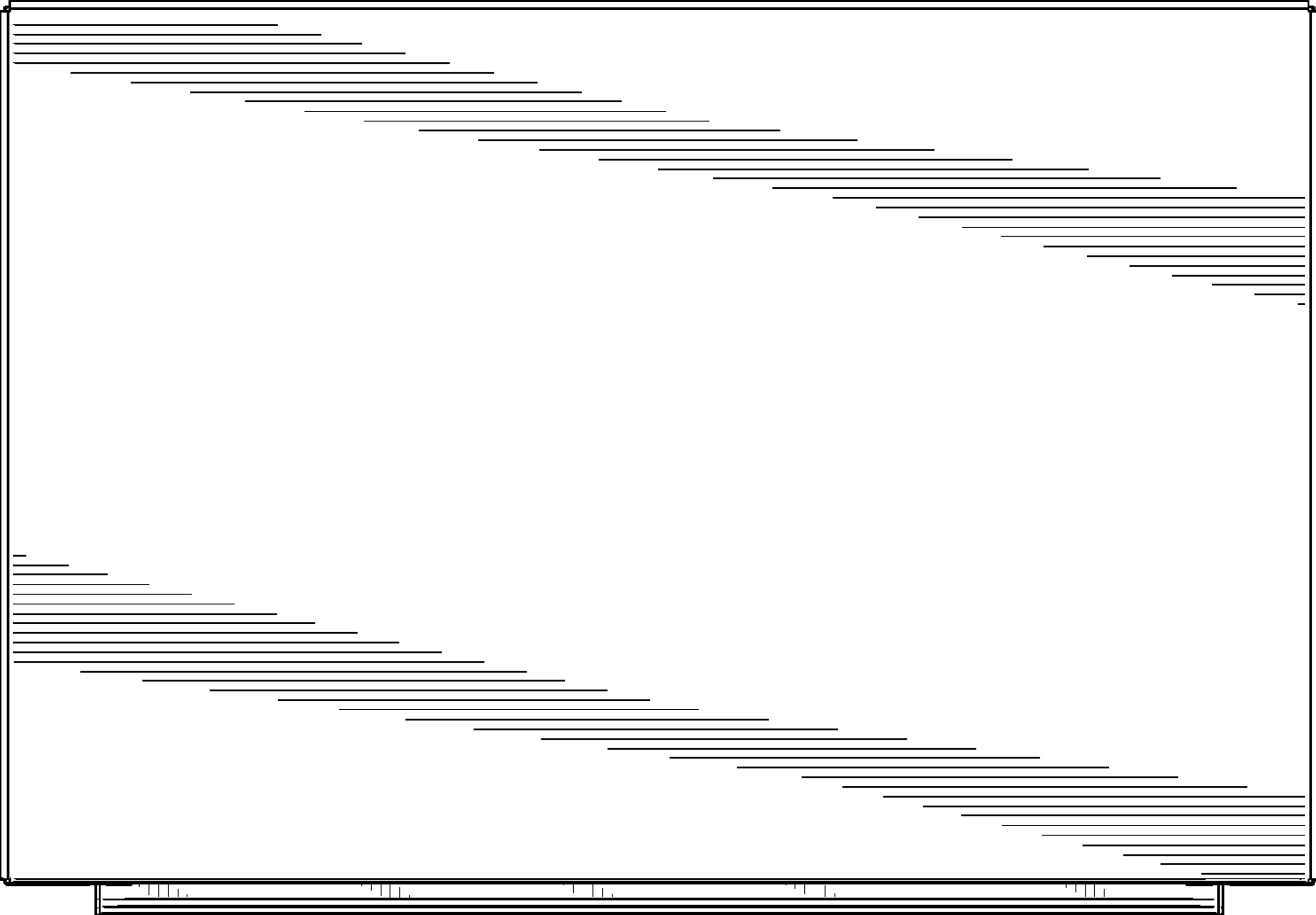


FIG. 4

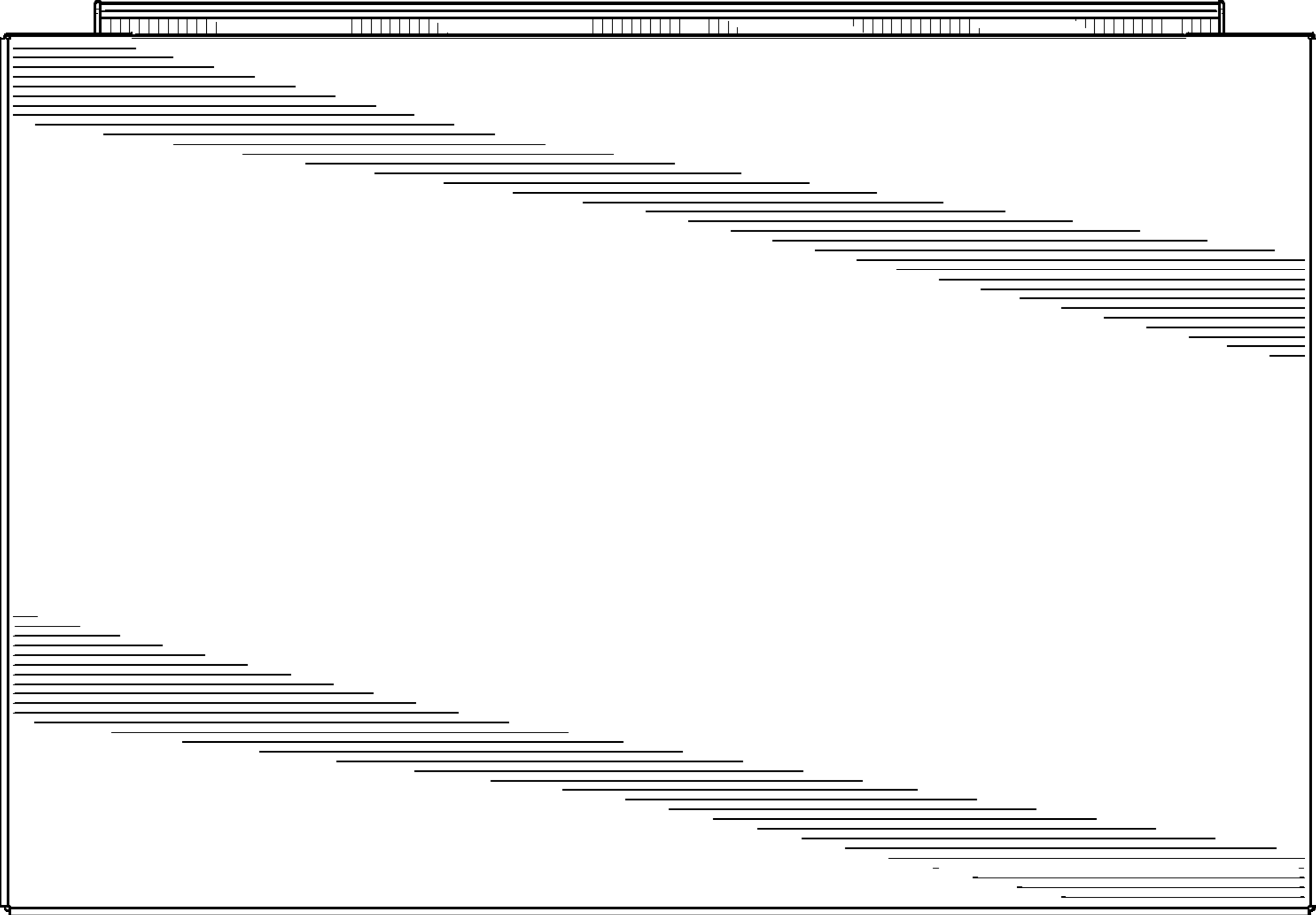


FIG. 5