



US00D732857S

(12) **United States Design Patent**
Perkins et al.

(10) **Patent No.:** **US D732,857 S**
(45) **Date of Patent:** **** Jun. 30, 2015**

- (54) **BEVERAGE CABINET**
- (71) Applicants: **Jill Perkins**, Fort Worth, TX (US); **Jeff Perkins**, Forth Worth, TX (US)
- (72) Inventors: **Jill Perkins**, Fort Worth, TX (US); **Jeff Perkins**, Forth Worth, TX (US)
- (**) Term: **14 Years**
- (21) Appl. No.: **29/501,047**
- (22) Filed: **Aug. 29, 2014**
- (51) **LOC (10) Cl.** **06-04**
- (52) **U.S. Cl.**
USPC **D6/667**
- (58) **Field of Classification Search**
USPC D6/663, 667, 668, 668.1, 671;
312/138.1, 204, 257.1; D15/83;
D34/19
CPC A47F 3/005; A47B 17/04; A47B 47/03;
F25D 2400/12; F25D 2400/10; F25D 25/00;
F25D 31/007; F25D 11/02; F25D 11/04
See application file for complete search history.

- 2,756,570 A * 7/1956 Ronald F25D 31/007
- 2,767,039 A * 10/1956 Danna, Jr. F25D 2400/10
- D190,006 S * 3/1961 Nelson F25D 25/00
- D209,292 S * 11/1967 Ungaro D6/667
- 4,194,647 A * 3/1980 Spurrier F25D 25/00
- 4,917,256 A * 4/1990 Kruck et al. F25D 2400/10
- 7,937,958 B2 * 5/2011 Shinya et al. F25D 11/04
- 8,156,755 B2 * 4/2012 Murray et al. F25D 31/007

OTHER PUBLICATIONS

Model 35—Ideal Cabinets.
Model 55—Ideal Cabinets.
Model 85—Ideal Cabinets.
Ideal Operating Guide & Parts Catalog (Feb. 1, 1954), pp. 4 to 5, 1-1 to 7-1, 11-1 to 12-1, 1-3 to 4-3, 7-3, and 8-4.

* cited by examiner

Primary Examiner — Mimosa De
(74) *Attorney, Agent, or Firm* — Fulwider Patton LLP

(57) **CLAIM**
The ornamental design for an beverage cabinet, as shown and described.

(56) **References Cited**

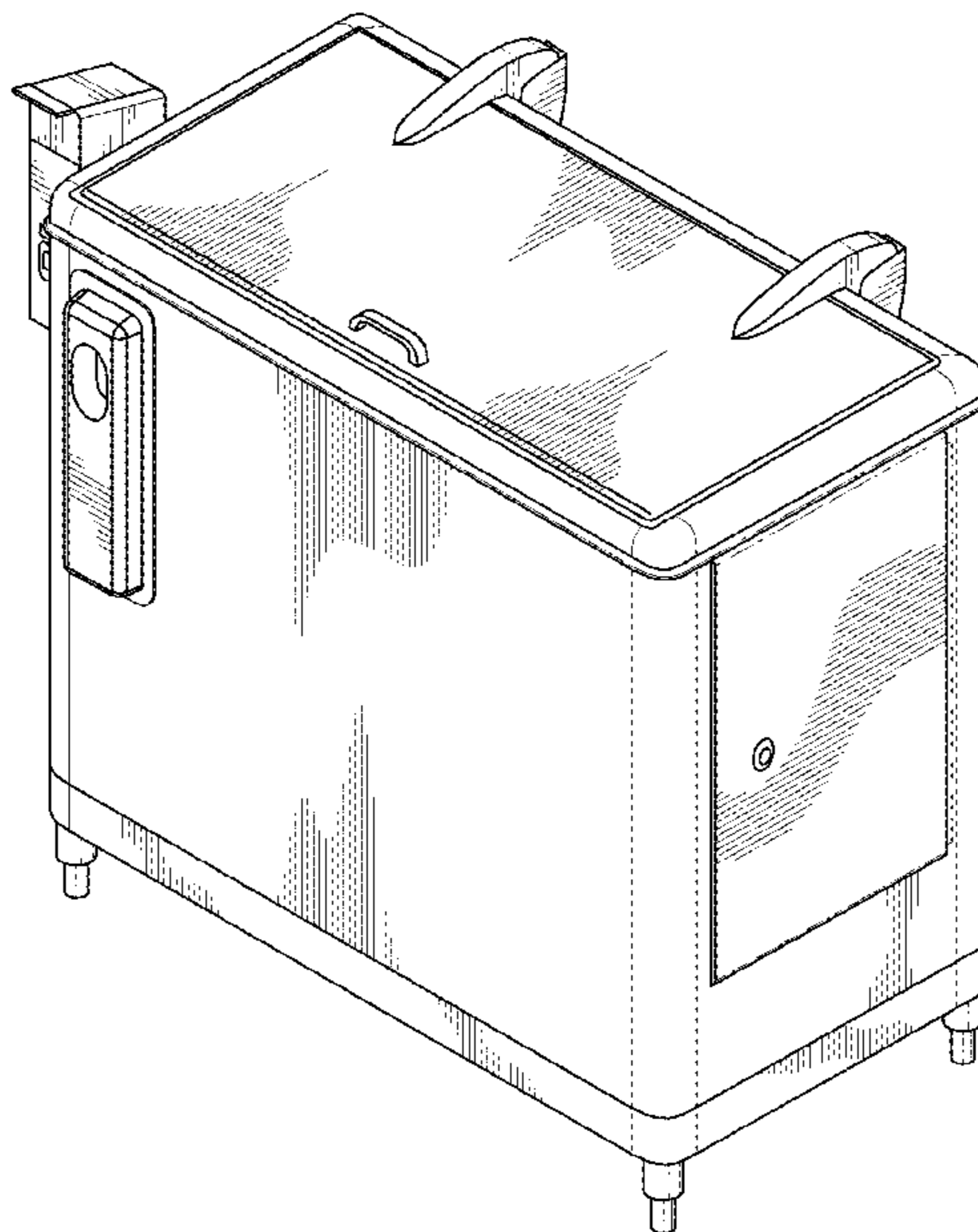
U.S. PATENT DOCUMENTS

- 316,363 A 4/1885 Hough
- D92,020 S * 4/1934 Rodstein et al. D6/663
- D103,074 S * 2/1937 Morgan D6/671
- 2,174,712 A 10/1939 Warner et al.
- D117,837 S * 11/1939 Tuttle D6/667
- 2,420,971 A * 5/1947 Peltier F25D 11/02
- 2,540,940 A * 2/1951 Ganzer F25D 11/04
- D162,783 S * 4/1951 Bubny et al. D34/19
- 2,637,612 A 5/1953 Warner et al.
- 2,677,250 A * 5/1954 Alsing et al. F25D 11/04
- 2,726,914 A * 12/1955 Allen F25D 2400/10

DESCRIPTION

FIG. 1 is a perspective view of the beverage cabinet;
FIG. 2 is a front view of the beverage cabinet;
FIG. 3 is a rear view of the beverage cabinet;
FIG. 4 is a left side view of the beverage cabinet;
FIG. 5 is a right side view of the beverage cabinet; and,
FIG. 6 is a top view of the beverage cabinet.
Broken lines appearing in the drawings are intended to be for illustrative purposes only and form no part of the claimed design.

1 Claim, 6 Drawing Sheets



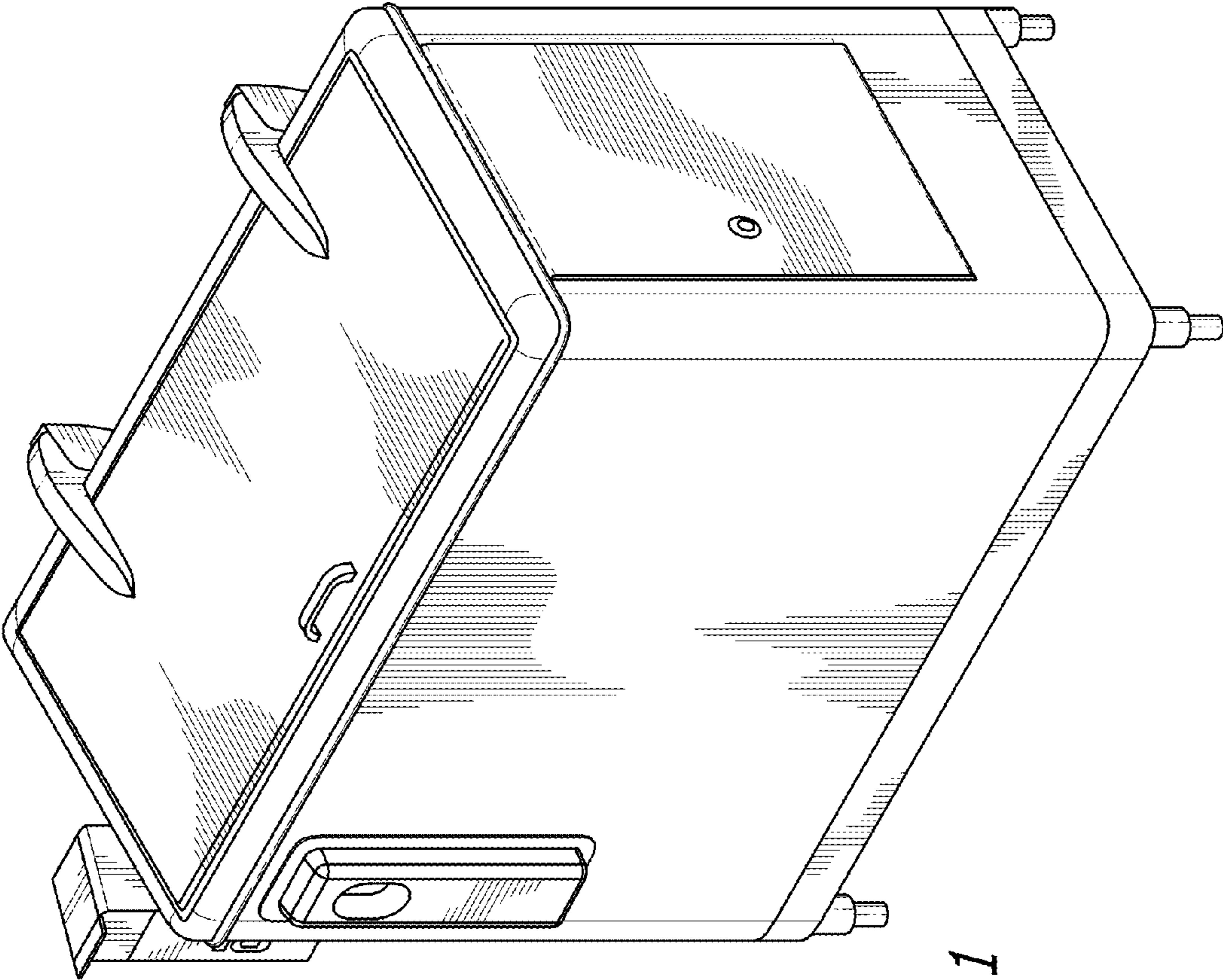


FIG. 1

FIG. 2

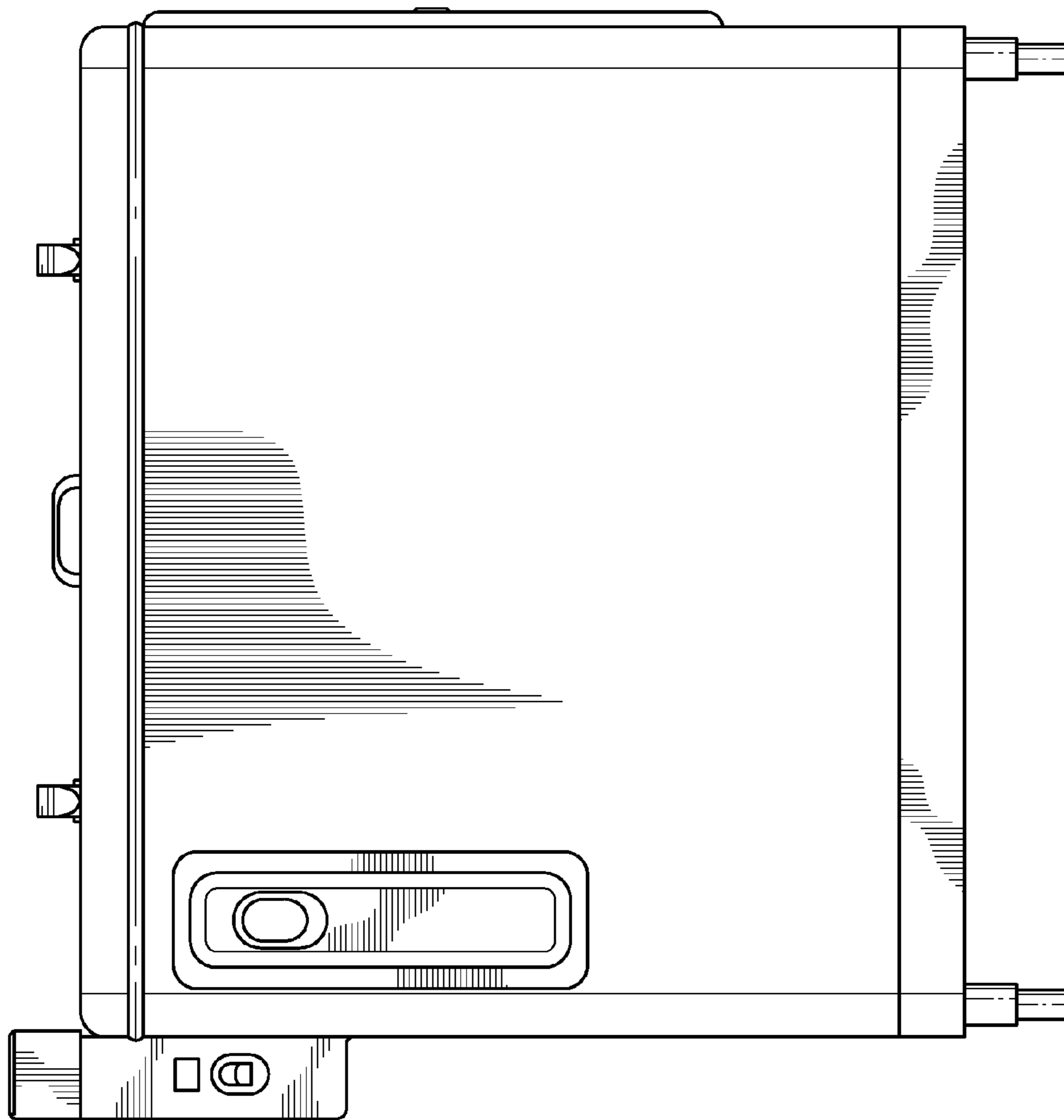
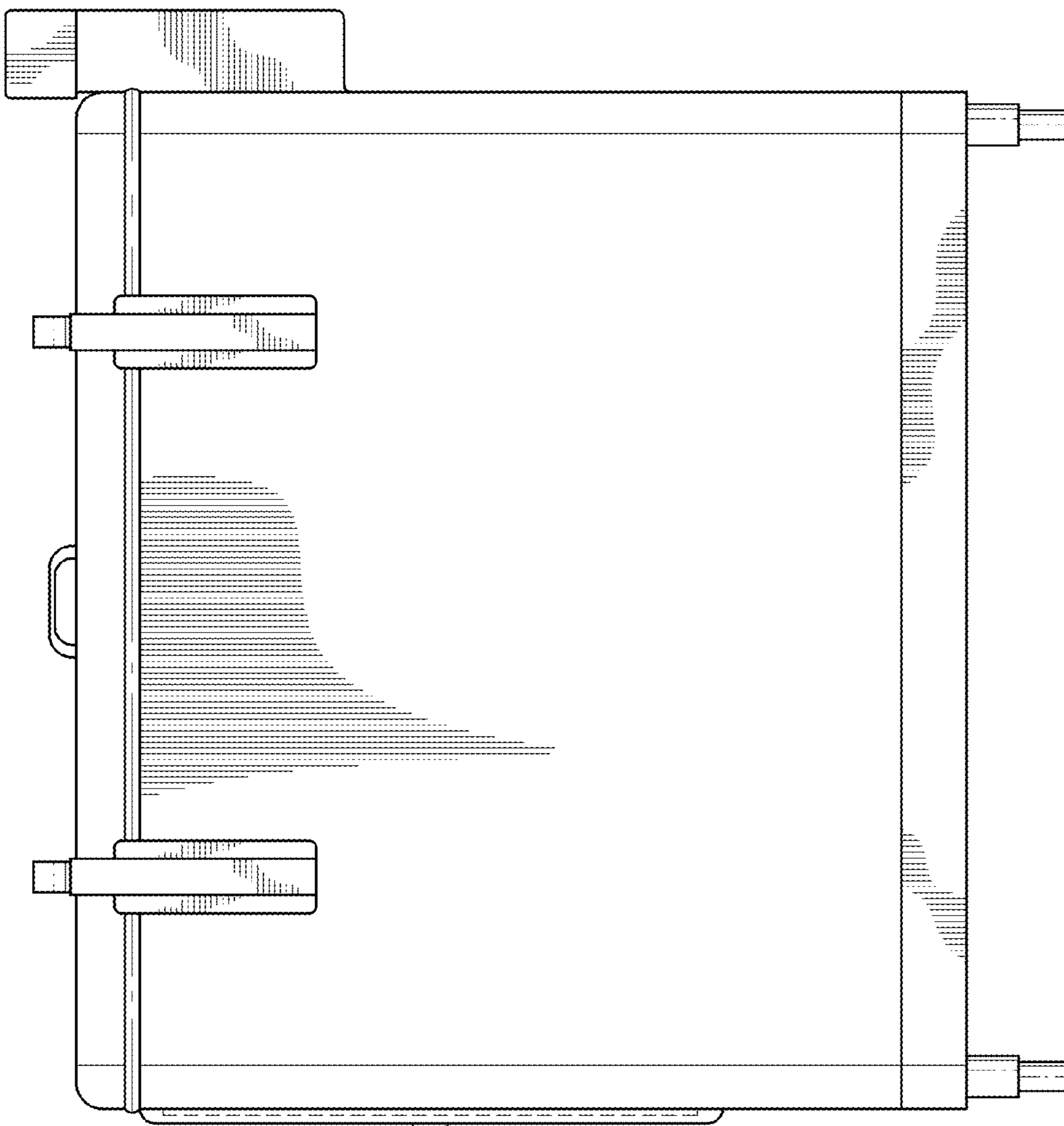


FIG. 3



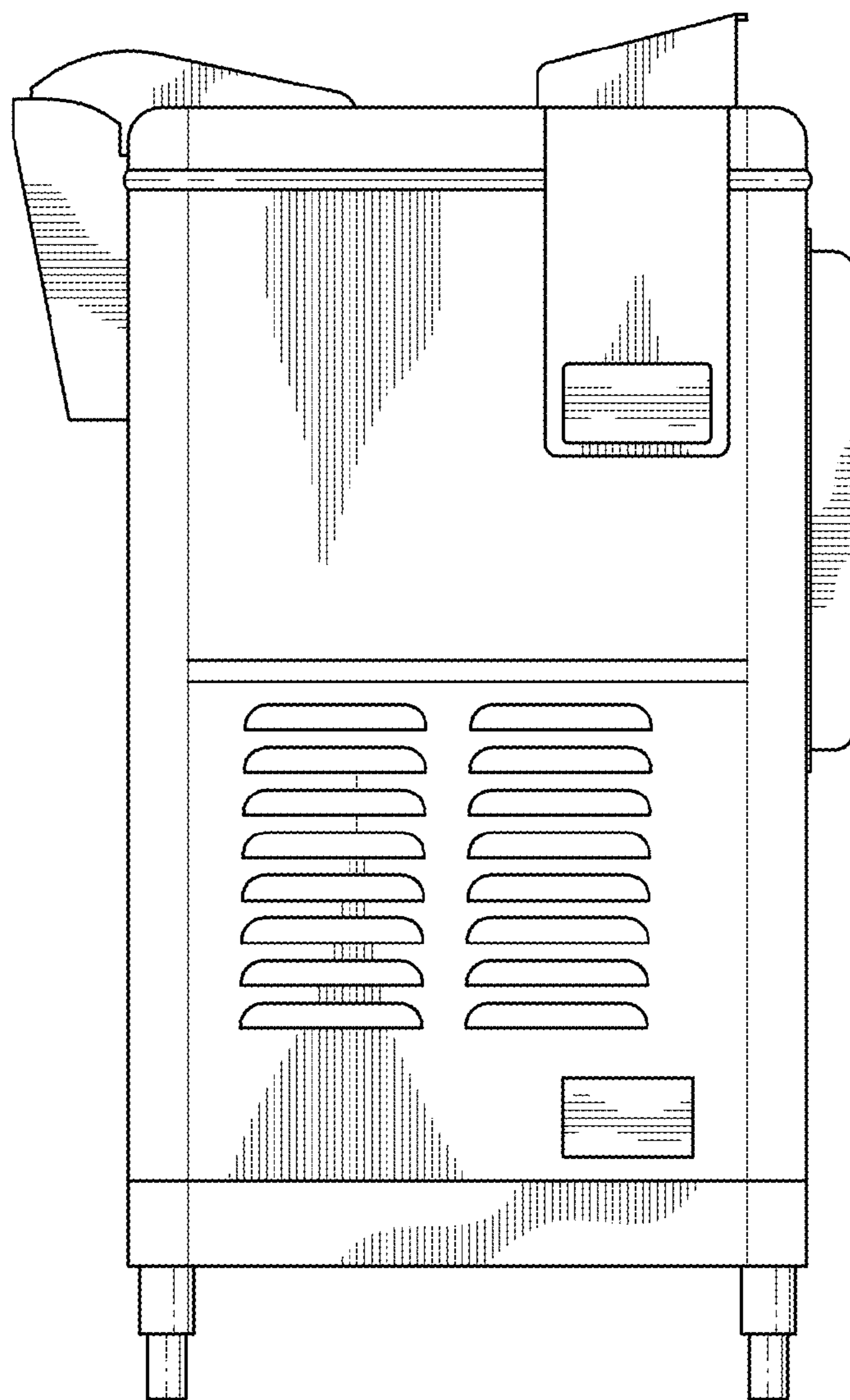


FIG. 4

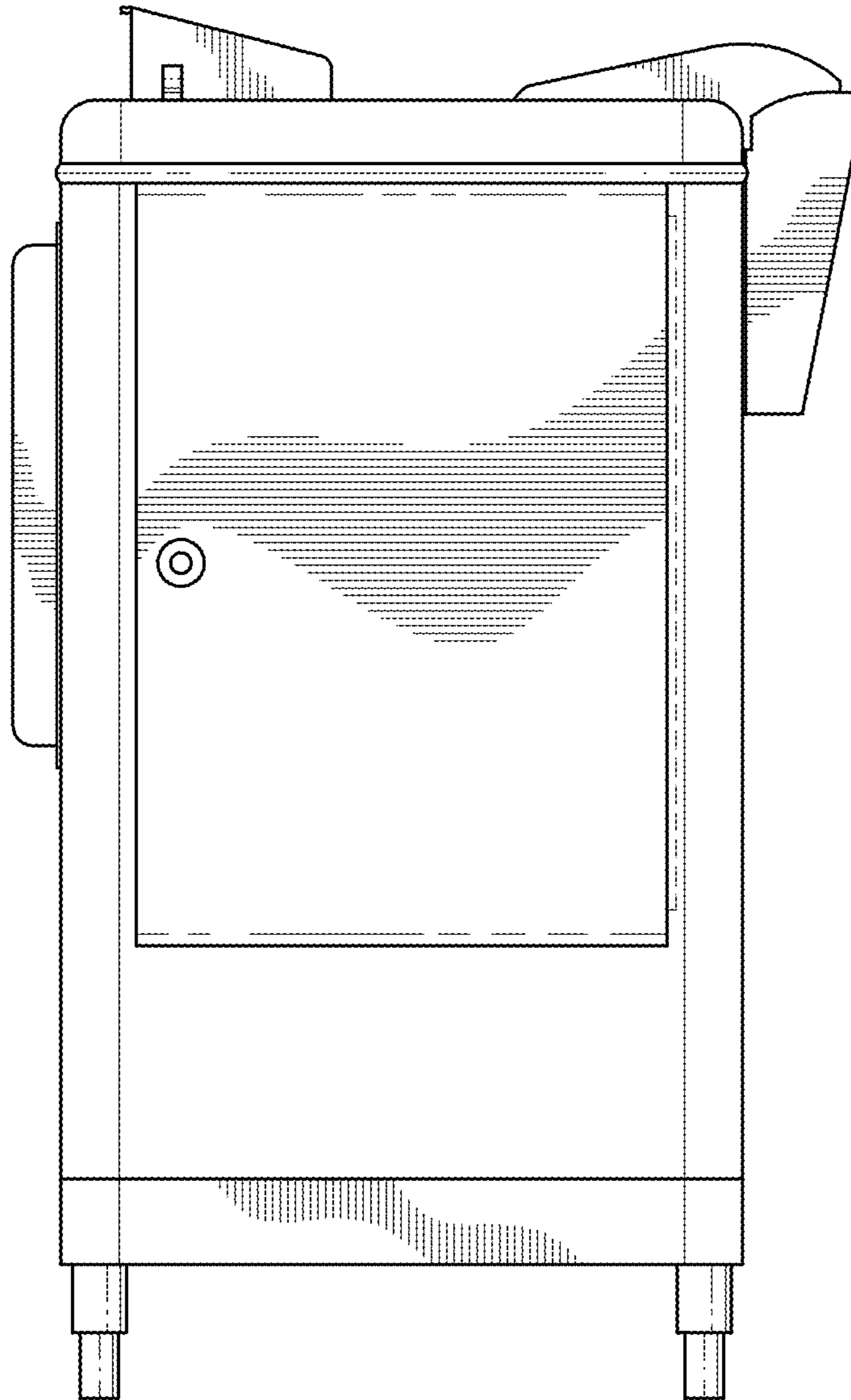


FIG. 5

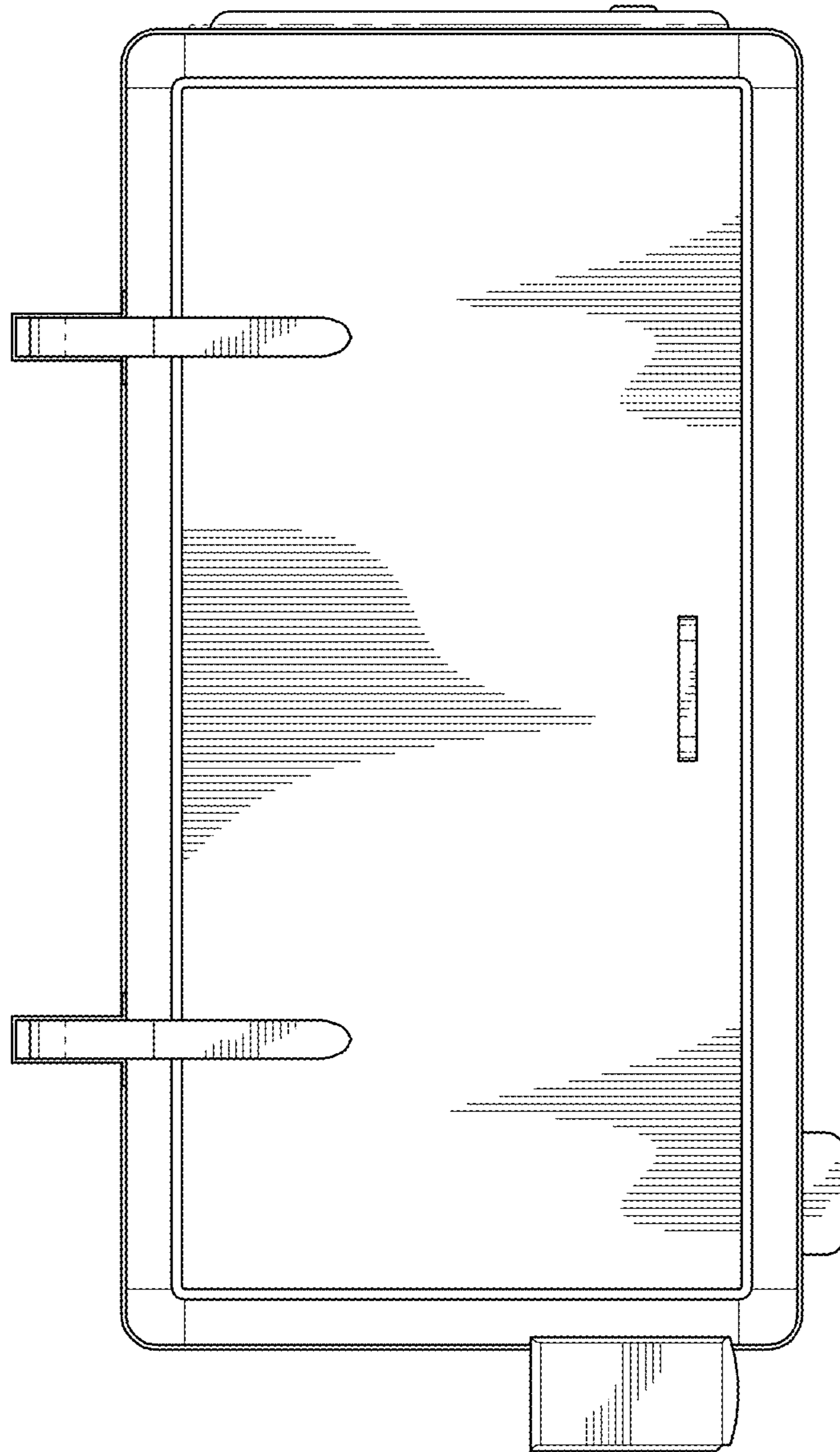


FIG. 6