



US00D732855S

(12) **United States Design Patent**
Helser

(10) **Patent No.:** **US D732,855 S**

(45) **Date of Patent:** **** Jun. 30, 2015**

(54) **TELEVISION STAND**

(71) Applicant: **Chris Helser**, Surrey (CA)

(72) Inventor: **Chris Helser**, Surrey (CA)

(**) Term: **14 Years**

(21) Appl. No.: **29/461,583**

(22) Filed: **Jul. 25, 2013**

(51) **LOC (10) Cl.** **06-04**

(52) **U.S. Cl.**
USPC **D6/660**

(58) **Field of Classification Search**
USPC D6/657, 660-662, 662.1, 671, 671.1,
D6/691.8; 312/7.2, 9.1, 114, 138.1, 204,
312/237, 257.1
CPC A47B 17/04; A47B 47/03; A47B 81/06;
A47B 83/00; A47F 3/00; A47F 3/005; A47F
5/0807
See application file for complete search history.

(56) **References Cited**

U.S. PATENT DOCUMENTS

D56,556 S * 11/1920 Gray D6/436
D477,474 S * 7/2003 Milligan D6/446

D534,379 S * 1/2007 Juneau D6/484
D553,879 S * 10/2007 Juneau D6/436
D560,929 S * 2/2008 Woodward et al. D6/446
D560,930 S * 2/2008 Woodward et al. D6/446
D560,931 S * 2/2008 Woodward et al. D6/446
D587,497 S * 3/2009 Zambelli D6/477
D589,280 S * 3/2009 Zambelli D6/477
D599,577 S * 9/2009 Lara D6/436
D630,453 S * 1/2011 Rafieha D6/436
D663,139 S * 7/2012 Zambelli D6/470
D687,250 S * 8/2013 Weatherly D6/661

* cited by examiner

Primary Examiner — Ricky Pham

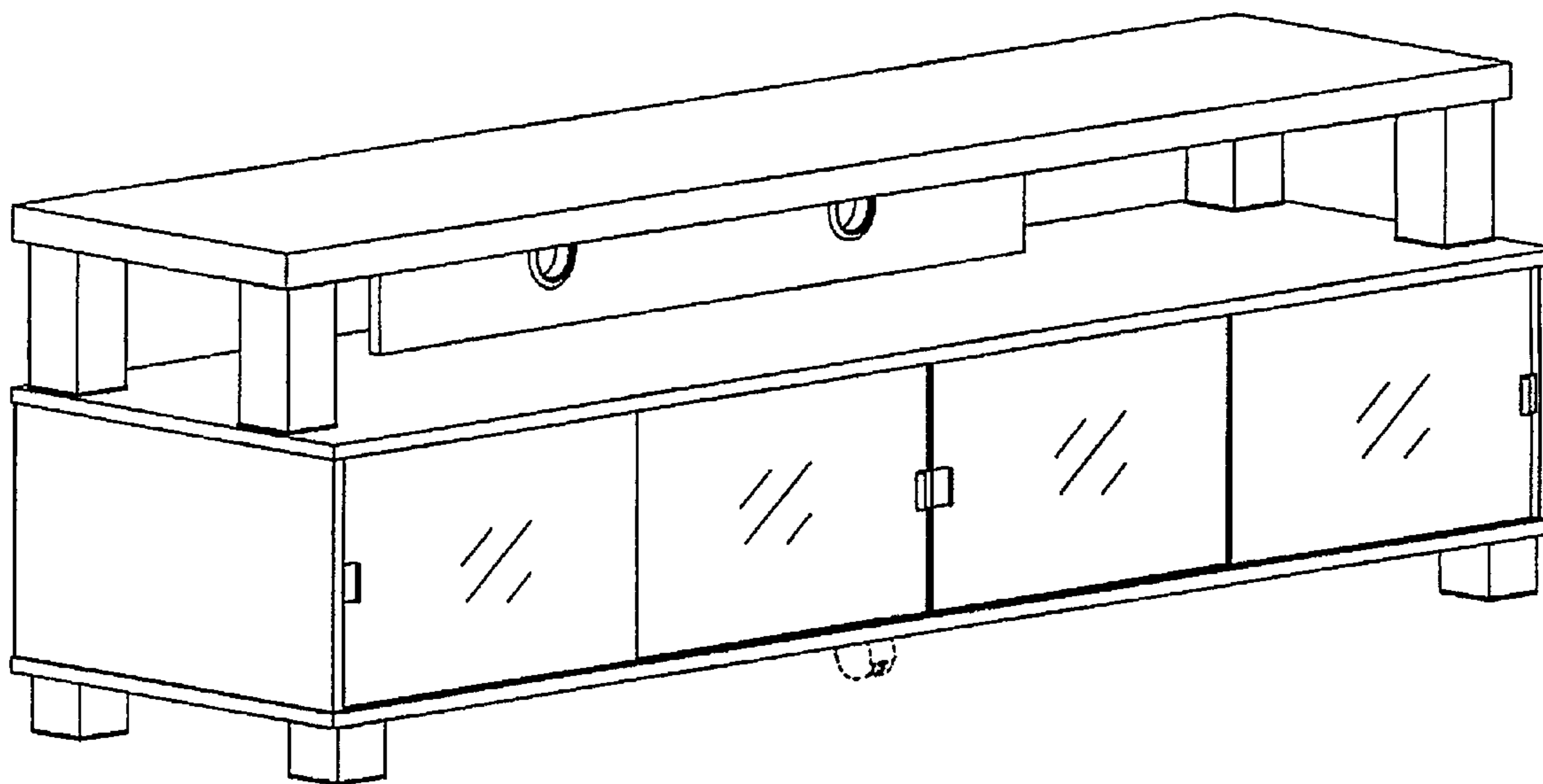
(57) **CLAIM**

The ornamental appearance for a television stand, as shown and described.

DESCRIPTION

FIG. 1 is a perspective view of a television stand showing my new design;
FIG. 2 is a front elevational view thereof;
FIG. 3 is a rear elevational view thereof;
FIG. 4 is a left side elevational view thereof;
FIG. 5 is a right side elevational view thereof;
FIG. 6 is a top plan view thereof; and,
FIG. 7 is a bottom/perspective plan view thereof.

1 Claim, 7 Drawing Sheets



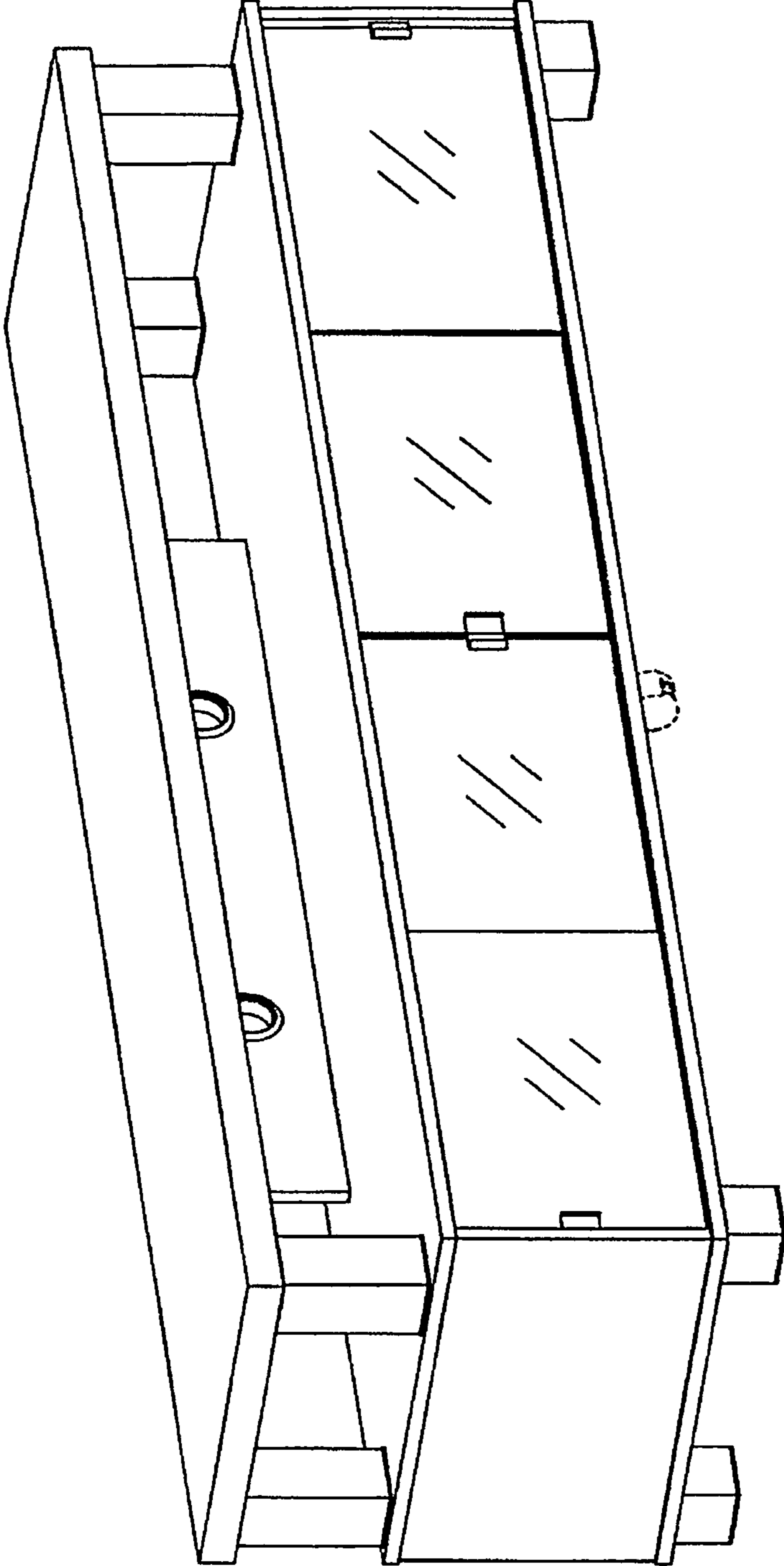


Fig. 1

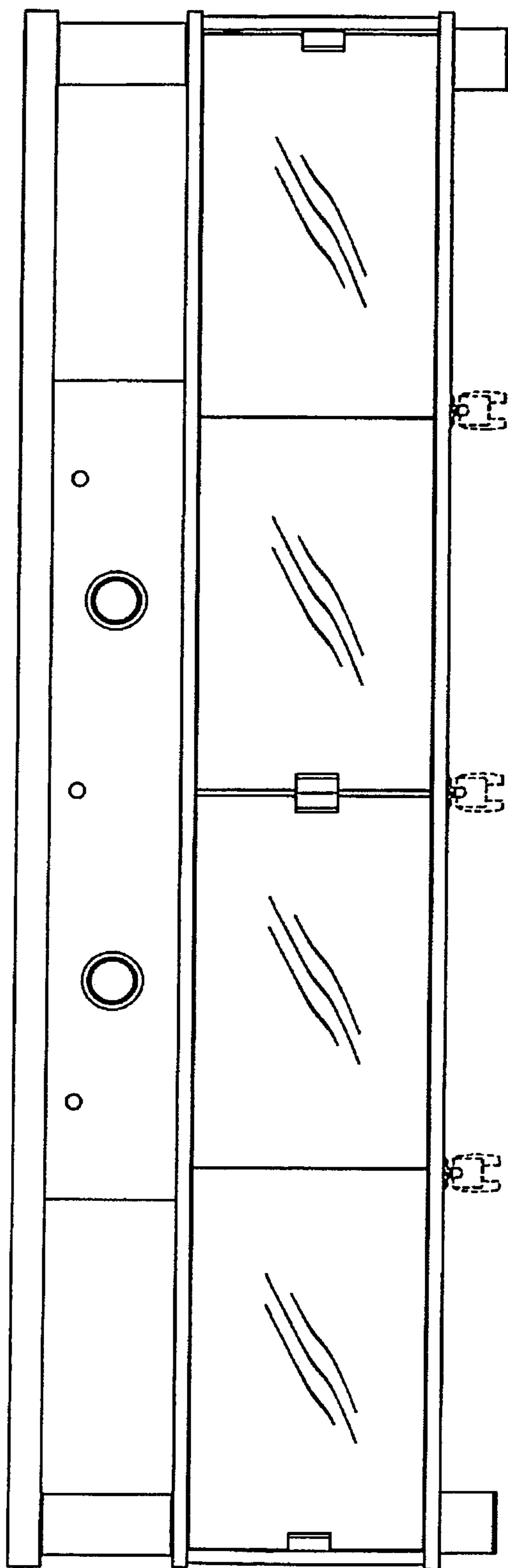


Fig. 2

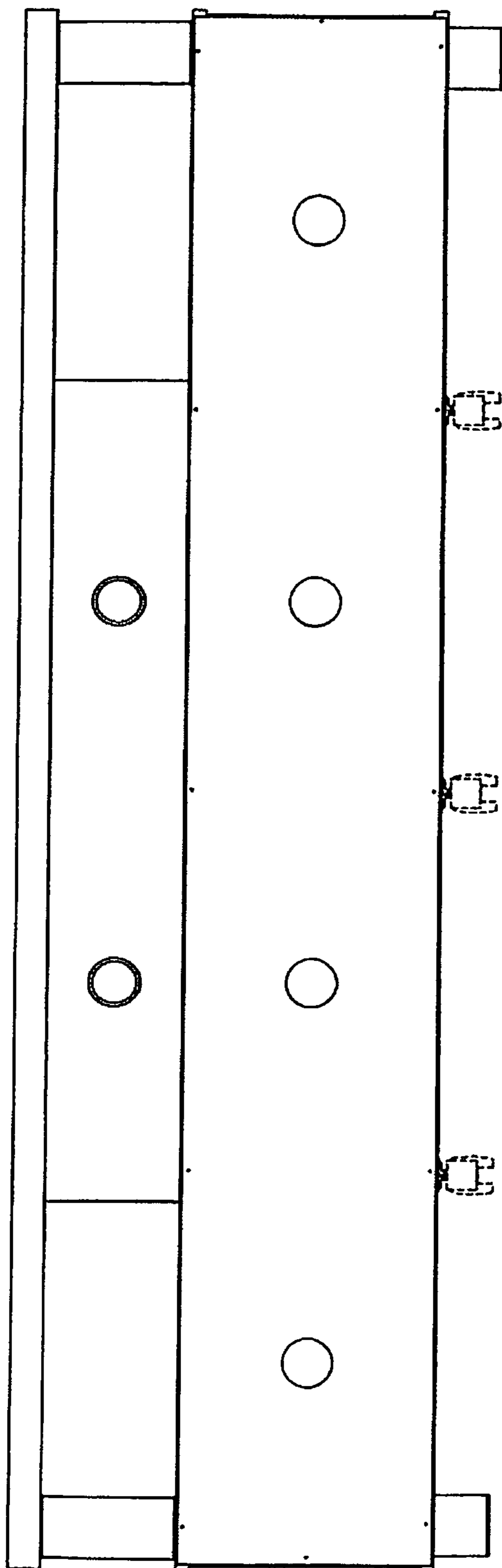


Fig. 3

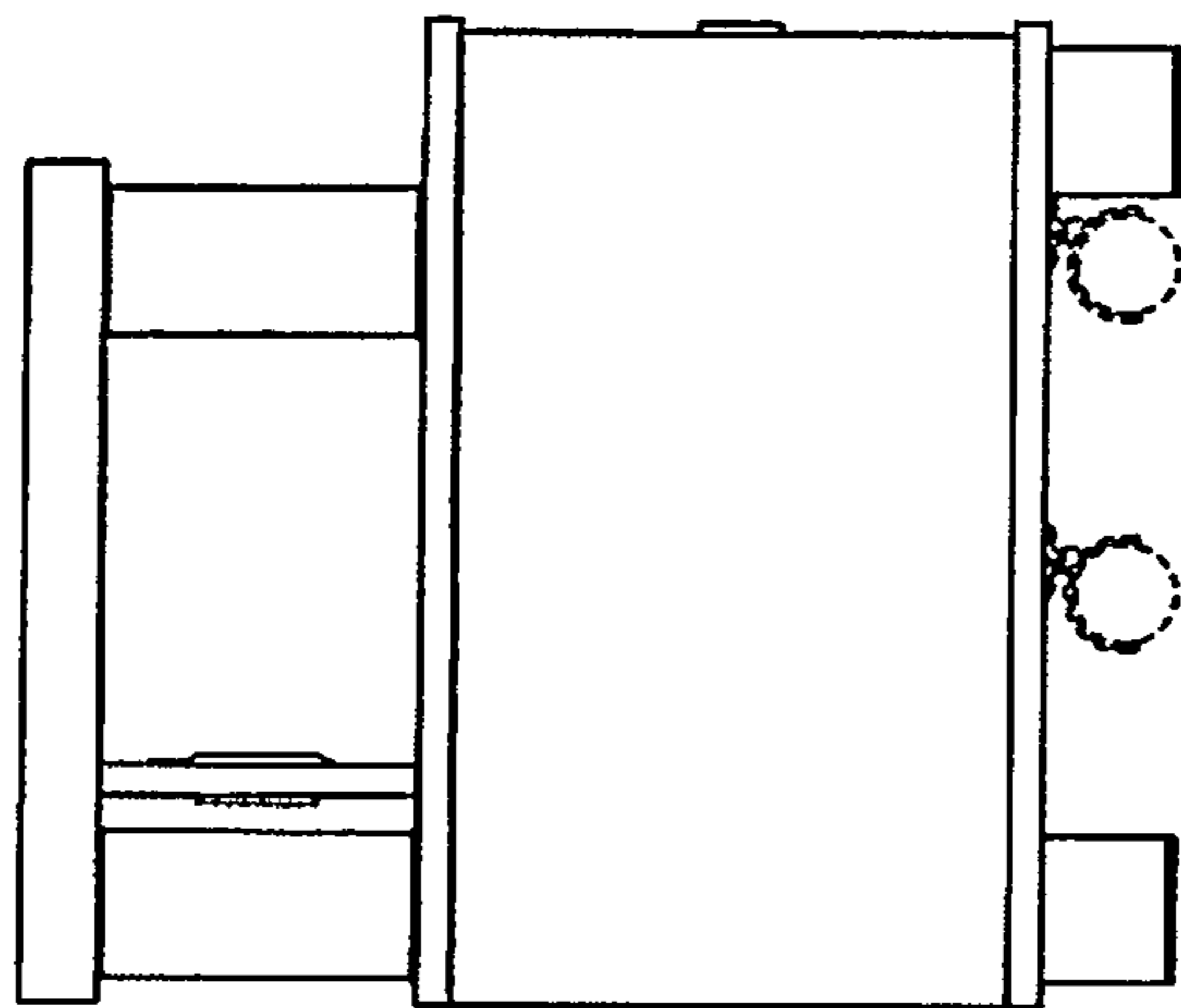


Fig. 4

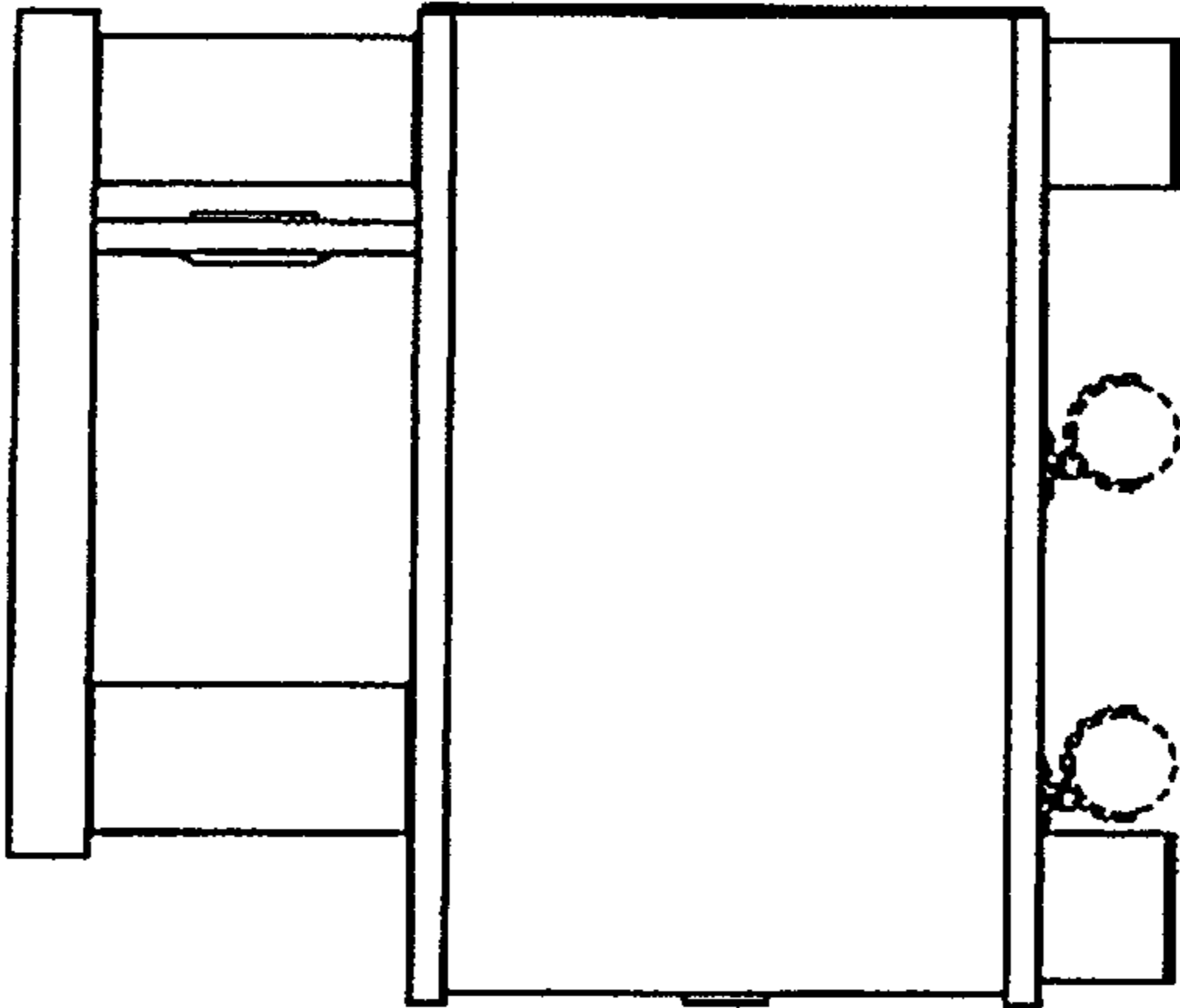


Fig. 5

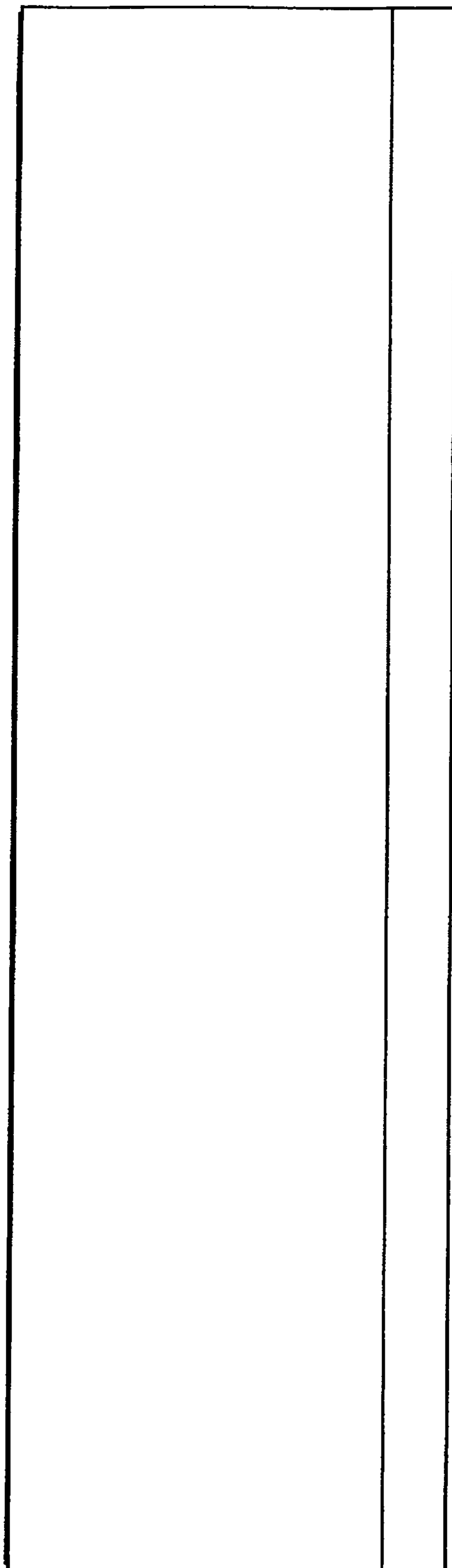


Fig. 6

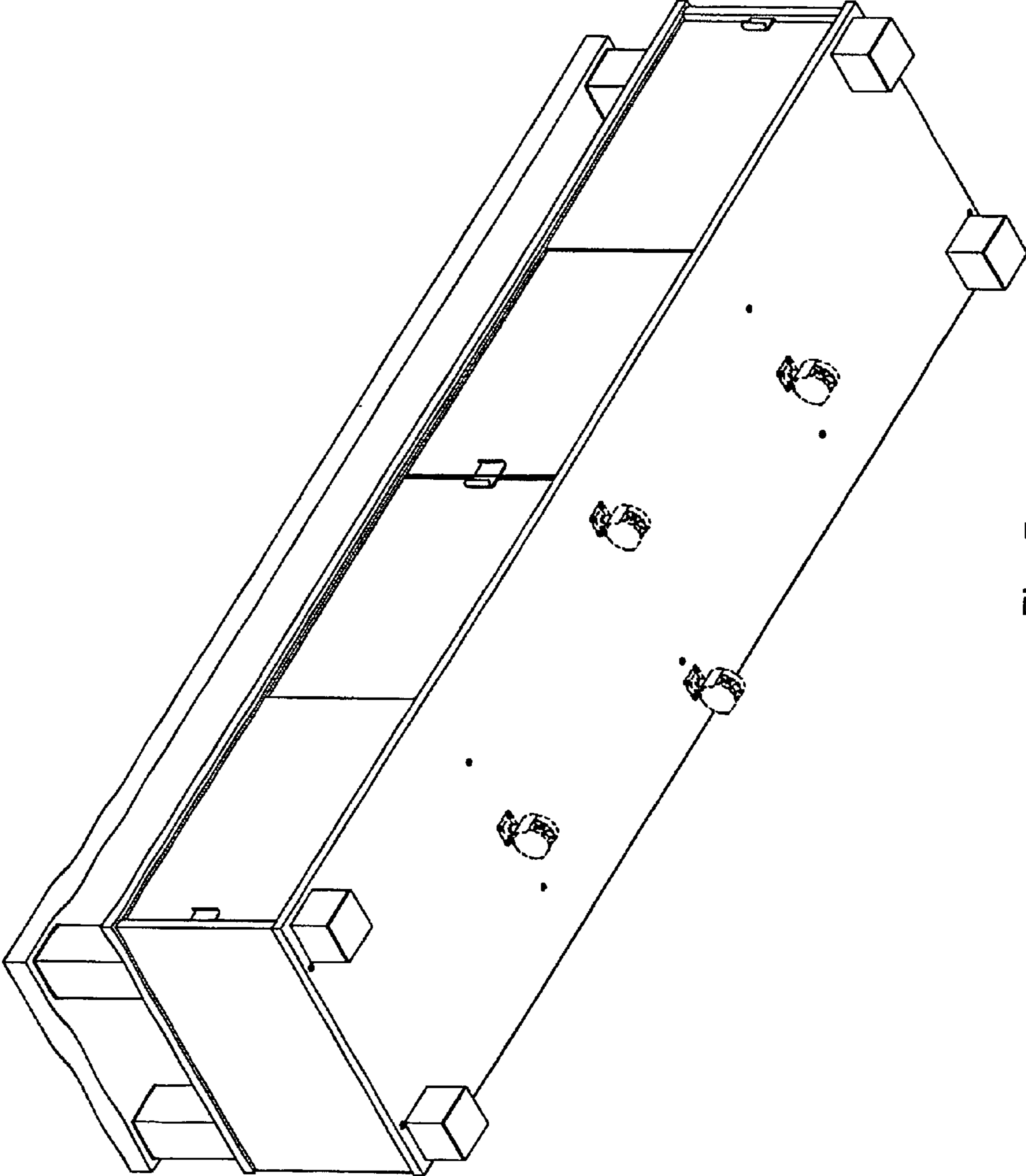


Fig. 7