

US00D732853S

(12) **United States Design Patent**
Engebretson

(10) **Patent No.:** **US D732,853 S**

(45) **Date of Patent:** **** Jun. 30, 2015**

(54) **DIGITAL IMAGING DISPLAY TABLE**

(56) **References Cited**

(71) Applicant: **Streater LLC**, Albert Lea, MN (US)

U.S. PATENT DOCUMENTS

(72) Inventor: **Lance Engebretson**, Albert Lea, MN (US)

D47,806	S	*	9/1915	Reaves et. al.	D6/471
2,687,621	A	*	8/1954	Fitzgerald	62/150
4,417,774	A	*	11/1983	Bevan et al.	312/108
D307,986	S	*	5/1990	Falk	D6/440
5,127,719	A	*	7/1992	Battista	312/204
D356,904	S	*	4/1995	Wolff	D6/436
D357,830	S	*	5/1995	Englander et al.	D6/481
5,577,817	A	*	11/1996	Reynolds	312/107
6,186,607	B1	*	2/2001	Remby	312/257.1
6,241,330	B1	*	6/2001	Lye et al.	312/140.4
D448,214	S	*	9/2001	Jeffery	D6/481
D560,929	S	*	2/2008	Woodward et al.	D6/446
D590,630	S	*	4/2009	Singler et al.	D6/432

(73) Assignee: **Streater LLC**, Albert Lea, MN (US)

(**) Term: **14 Years**

(21) Appl. No.: **29/461,301**

(22) Filed: **Jul. 22, 2013**

(51) **LOC (10) Cl.** **06-04**

* cited by examiner

(52) **U.S. Cl.**
USPC **D6/657**

Primary Examiner — Ricky Pham

(74) *Attorney, Agent, or Firm* — Nikolai & Mersereau, P.A.;
Thomas J. Nikolai

(58) **Field of Classification Search**
USPC D6/660–661, 661.2, 661.3, 662, 662.1,
D6/663, 667, 671.1, 698–699; D14/127,
D14/133, 302–307, 900–902; D20/10;
D21/325, 332, 369–370; D24/185;
62/150; 312/107–108, 140.4, 204,
312/257.1; 361/679.01, 679.02, 671.04,
361/679.21, 679.57
CPC A47B 77/04; A47B 81/00; A47B 88/22;
A47F 3/0465; A47F 5/108; A47F 9/00;
A47F 9/047; G06Q 20/10; G06Q 20/18;
G06Q 20/20; G06Q 20/123; G06Q 30/02;
G06Q 30/06

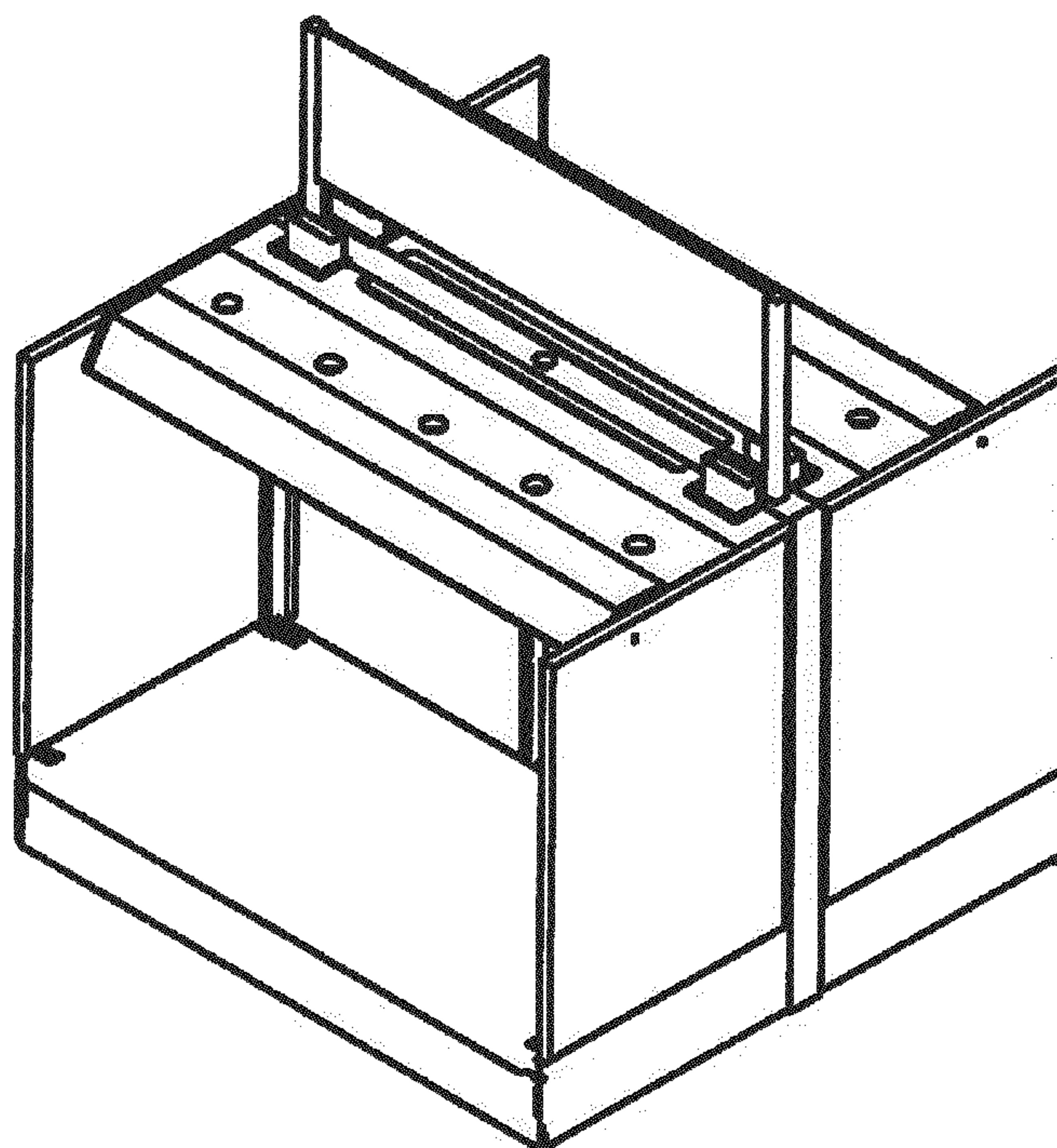
(57) **CLAIM**
The ornamental design for the “digital imaging display table,”
as shown and described.

DESCRIPTION

FIG. 1 is a perspective view of the digital imaging display table;
FIG. 2 is a top view thereof;
FIG. 3 is a bottom view thereof;
FIG. 4 is a front view thereof, the back view being the mirror image of FIG. 4; and,
FIG. 5 is a side view thereof, the opposite side view being the mirror image of FIG. 5.

See application file for complete search history.

1 Claim, 3 Drawing Sheets



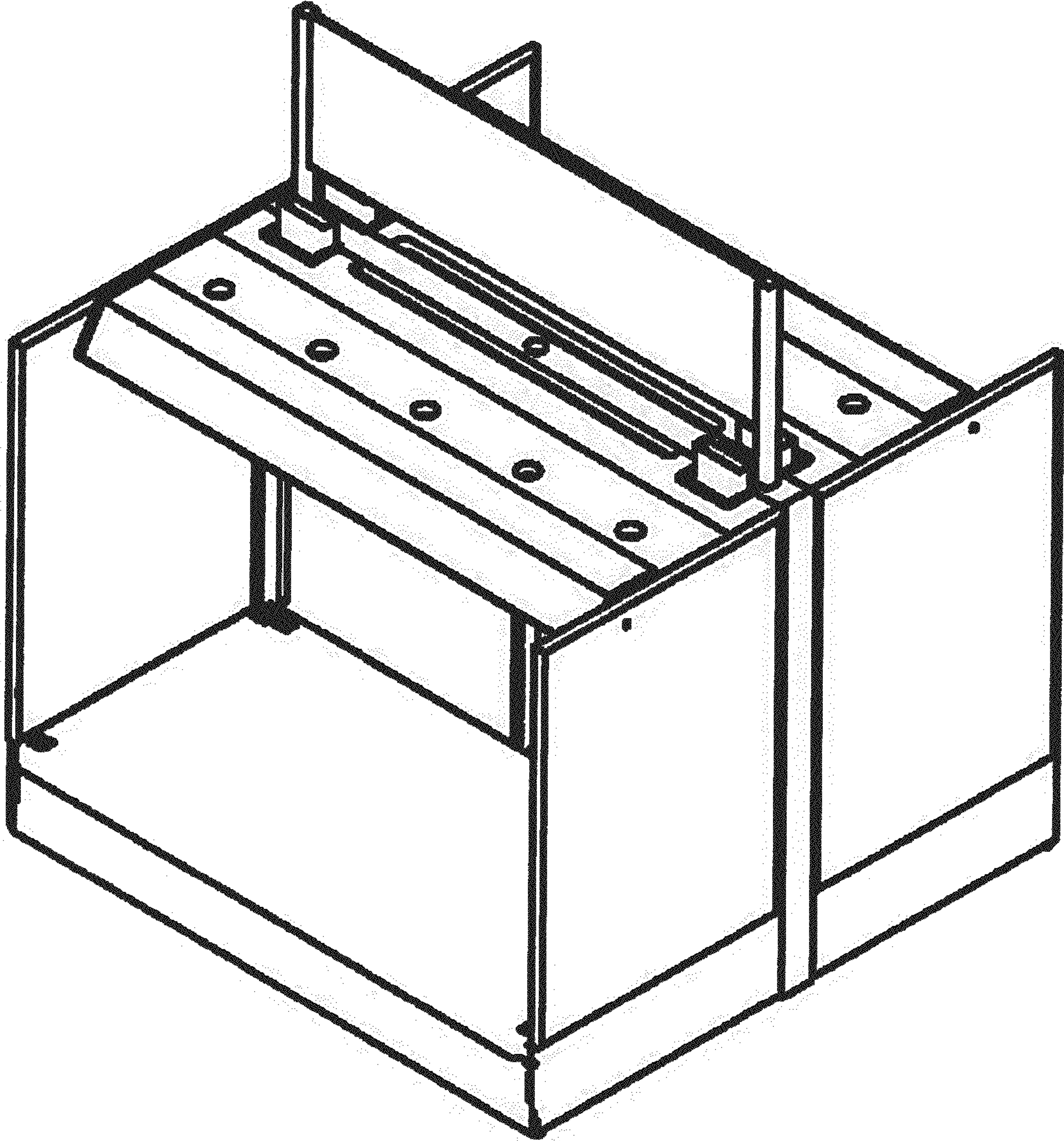


Fig. 1

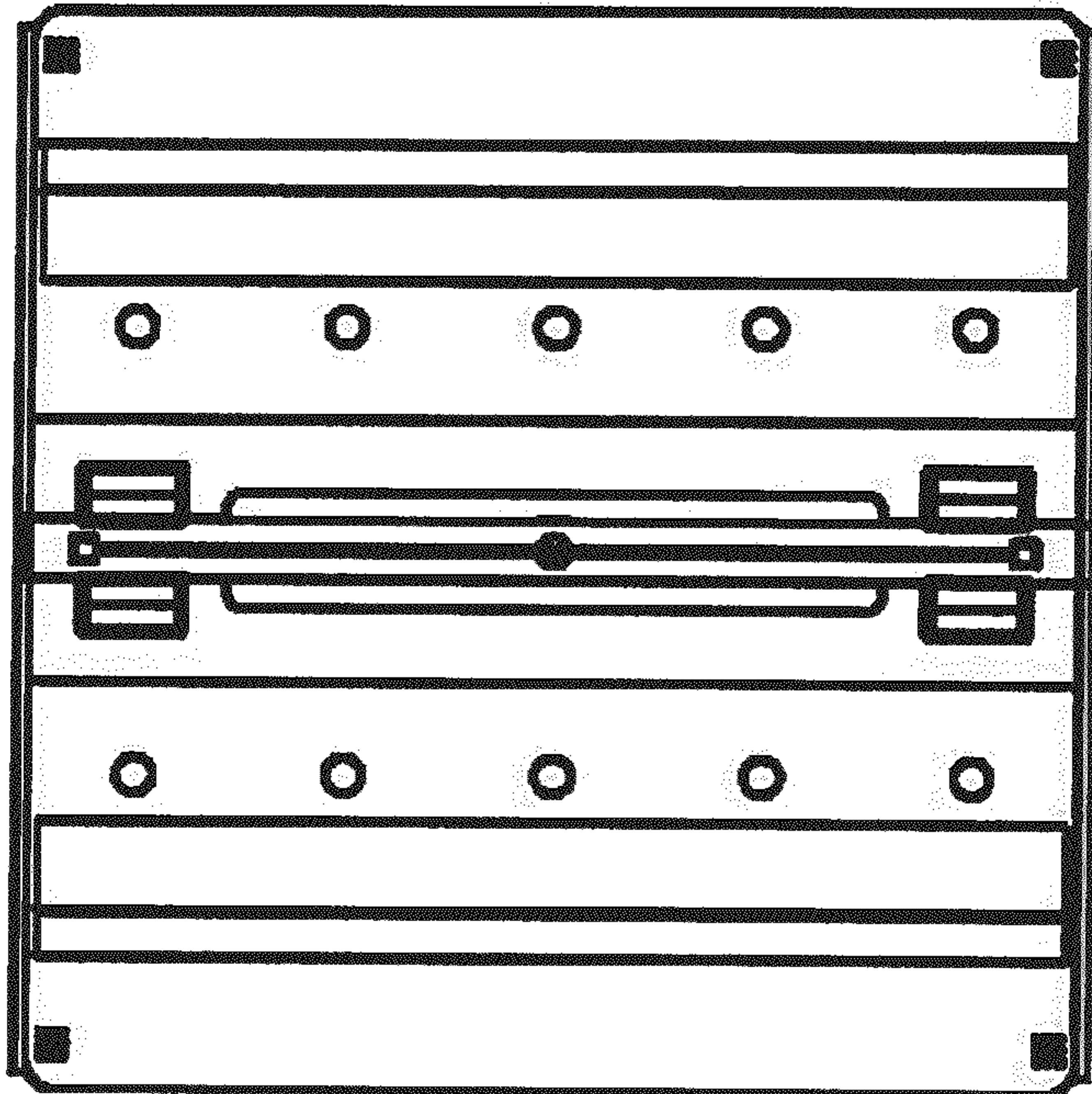


Fig. 2

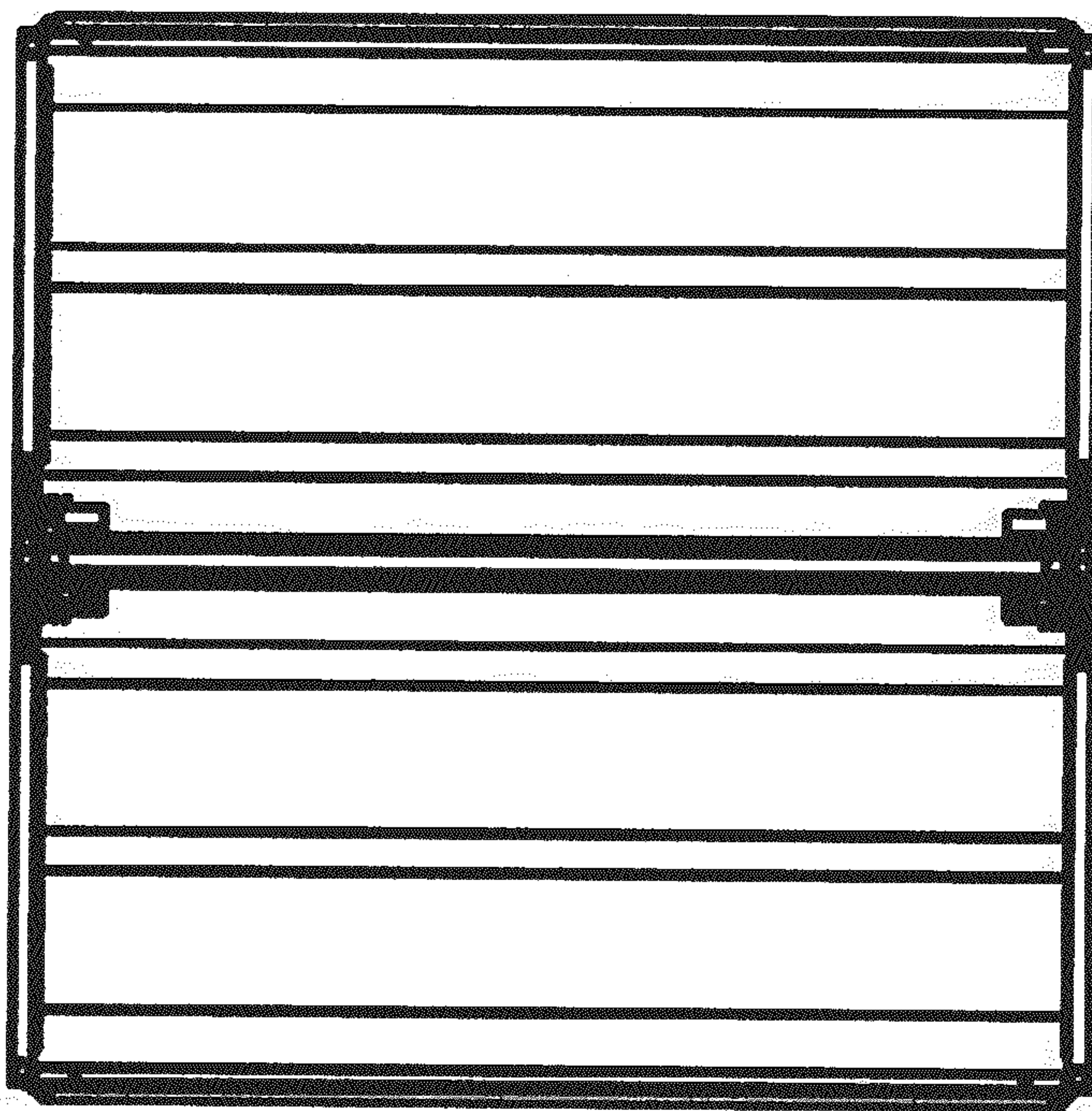


Fig. 3

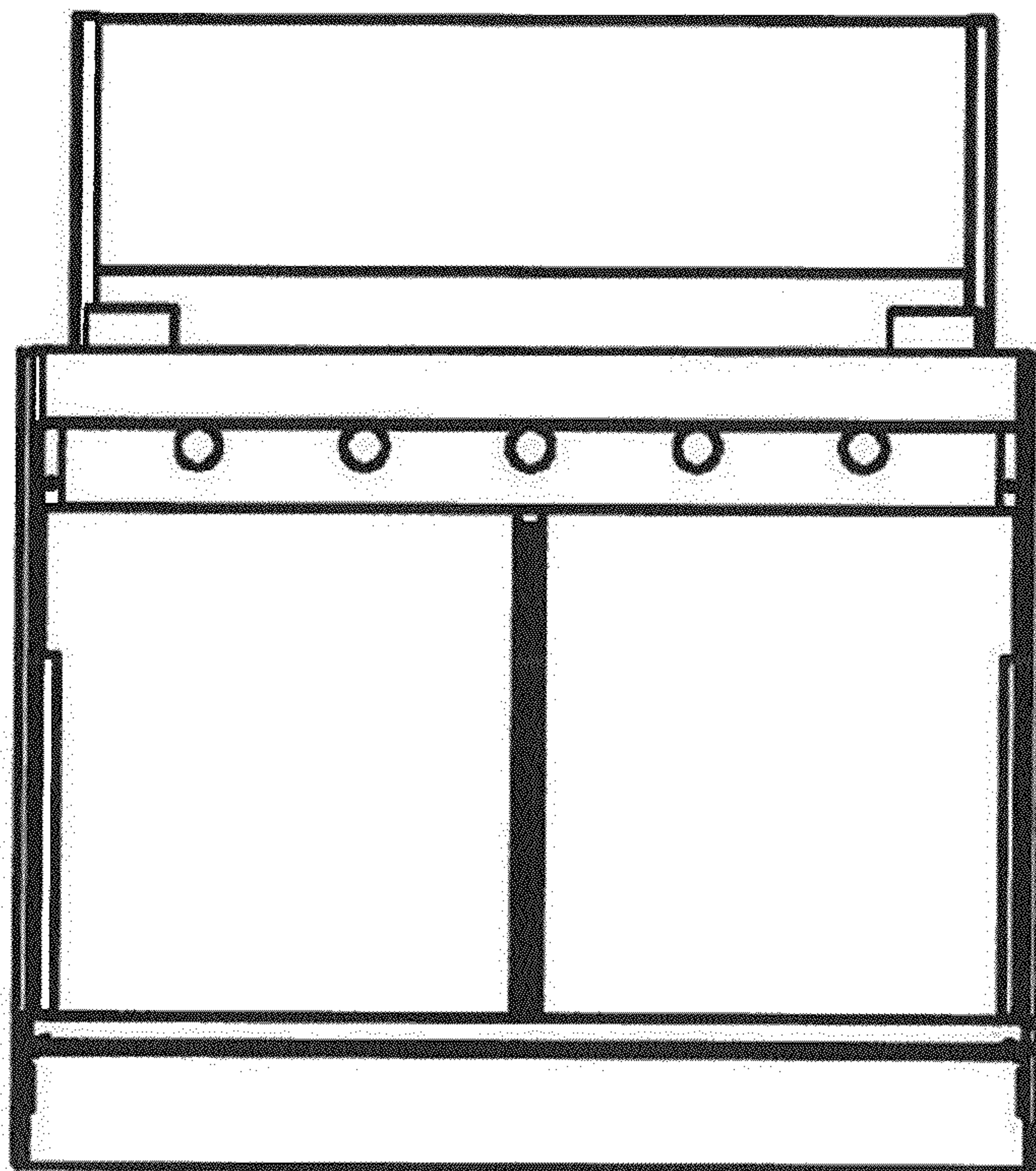


Fig. 4

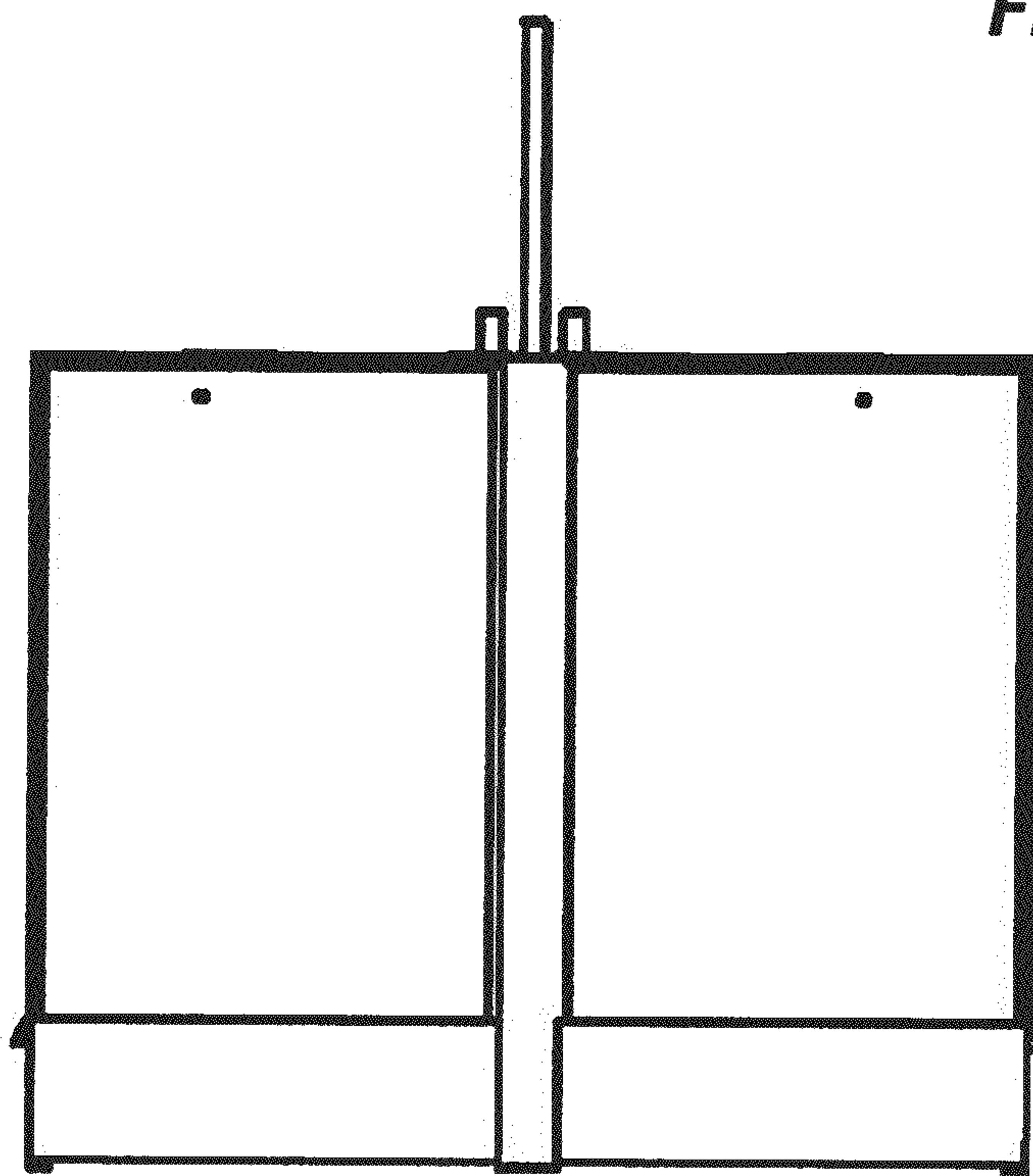


Fig. 5