



US00D732850S

(12) **United States Design Patent**
Bouroullec et al.

(10) **Patent No.:** **US D732,850 S**
(45) **Date of Patent:** **** Jun. 30, 2015**

(54) **OFFICE CABIN**

(71) Applicant: **Vitra Patente AG**, MuttENZ (CH)

(72) Inventors: **Erwan Bouroullec**, Paris (FR); **Ronan Bouroullec**, Paris (FR)

(73) Assignee: **Vitra Patente AG**, MuttENZ (CH)

(**) Term: **14 Years**

(21) Appl. No.: **29/452,777**

(22) Filed: **Apr. 22, 2013**

(30) **Foreign Application Priority Data**

Oct. 23, 2012 (WO) DM/079 815

(51) **LOC (10) Cl.** **06-03**

(52) **U.S. Cl.**
USPC **D6/643**

(58) **Field of Classification Search**
USPC D6/643, 643.1, 332; D25/16; 312/239,
312/238, 196; 108/60; 52/239; 160/135
CPC A47B 41/00; A47B 96/04; A47B 96/20;
A47B 83/001; E04B 2002/749; E04B
2002/7483

See application file for complete search history.

(56) **References Cited**

U.S. PATENT DOCUMENTS

D251,402	S	*	3/1979	Toussaint	D6/421
D304,529	S	*	11/1989	Hontz	D6/421
D538,060	S	*	3/2007	Golino et al.	D6/421
D540,565	S	*	4/2007	Nakamura	D6/421
D720,160	S	*	12/2014	Lloyd et al.	D6/643
2007/0261315	A1	*	11/2007	Ludwig et al.	52/28
2007/0277708	A1	*	12/2007	Murray	108/60

* cited by examiner

Primary Examiner — Janice Seeger

(74) *Attorney, Agent, or Firm* — McCarter & English, LLP

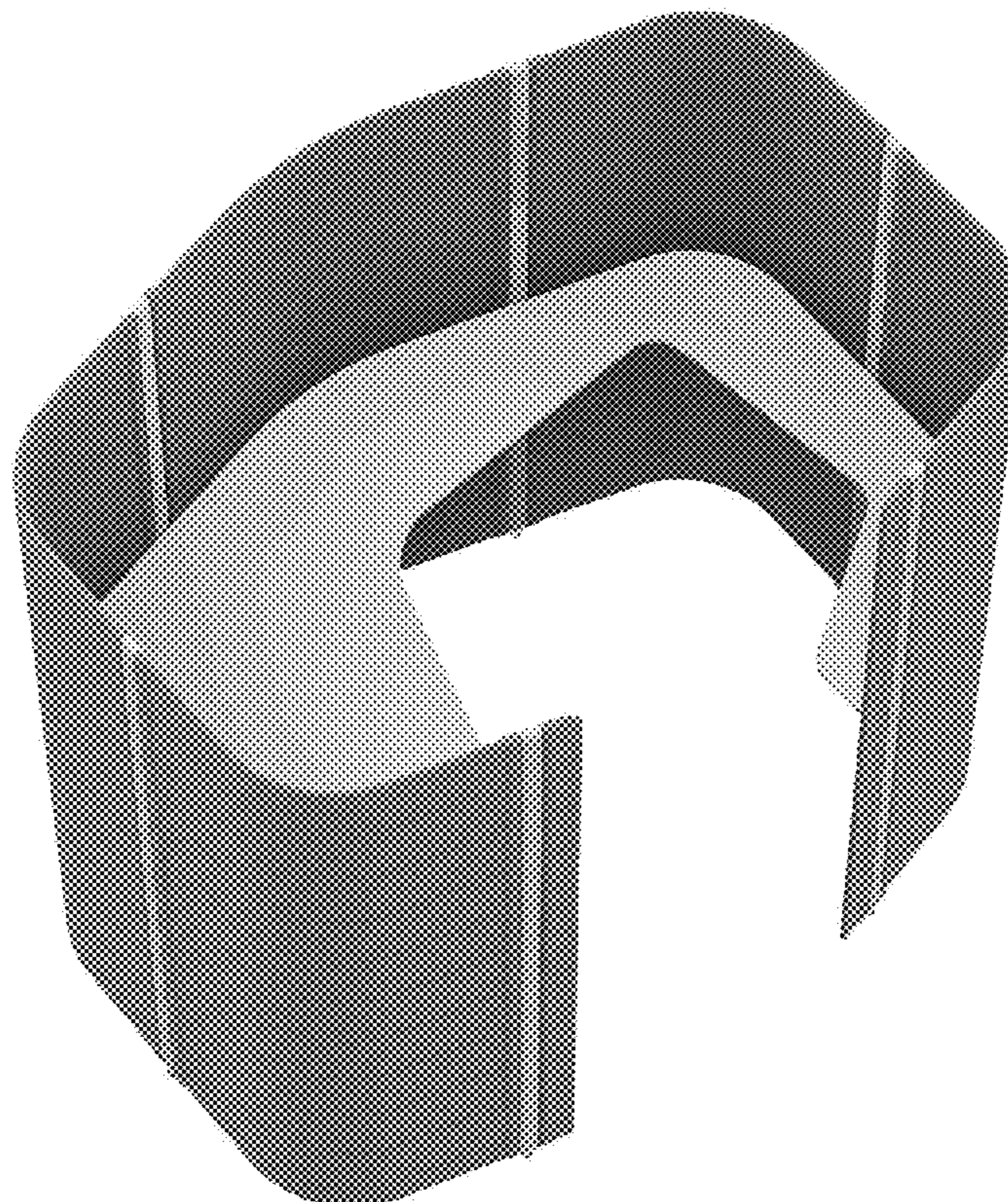
(57) **CLAIM**

The ornamental design for office cabin, as shown and described.

DESCRIPTION

FIG. 1 is a front perspective view of a first embodiment of an office cabin;
FIG. 2 shows a rear perspective view of FIG. 1;
FIG. 3 shows a top perspective view of FIG. 1;
FIG. 4 is a front perspective view of a second embodiment of an office cabin;
FIG. 5 shows a rear perspective view of FIGS. 4; and,
FIG. 6 shows a top perspective view of FIG. 4.

1 Claim, 6 Drawing Sheets



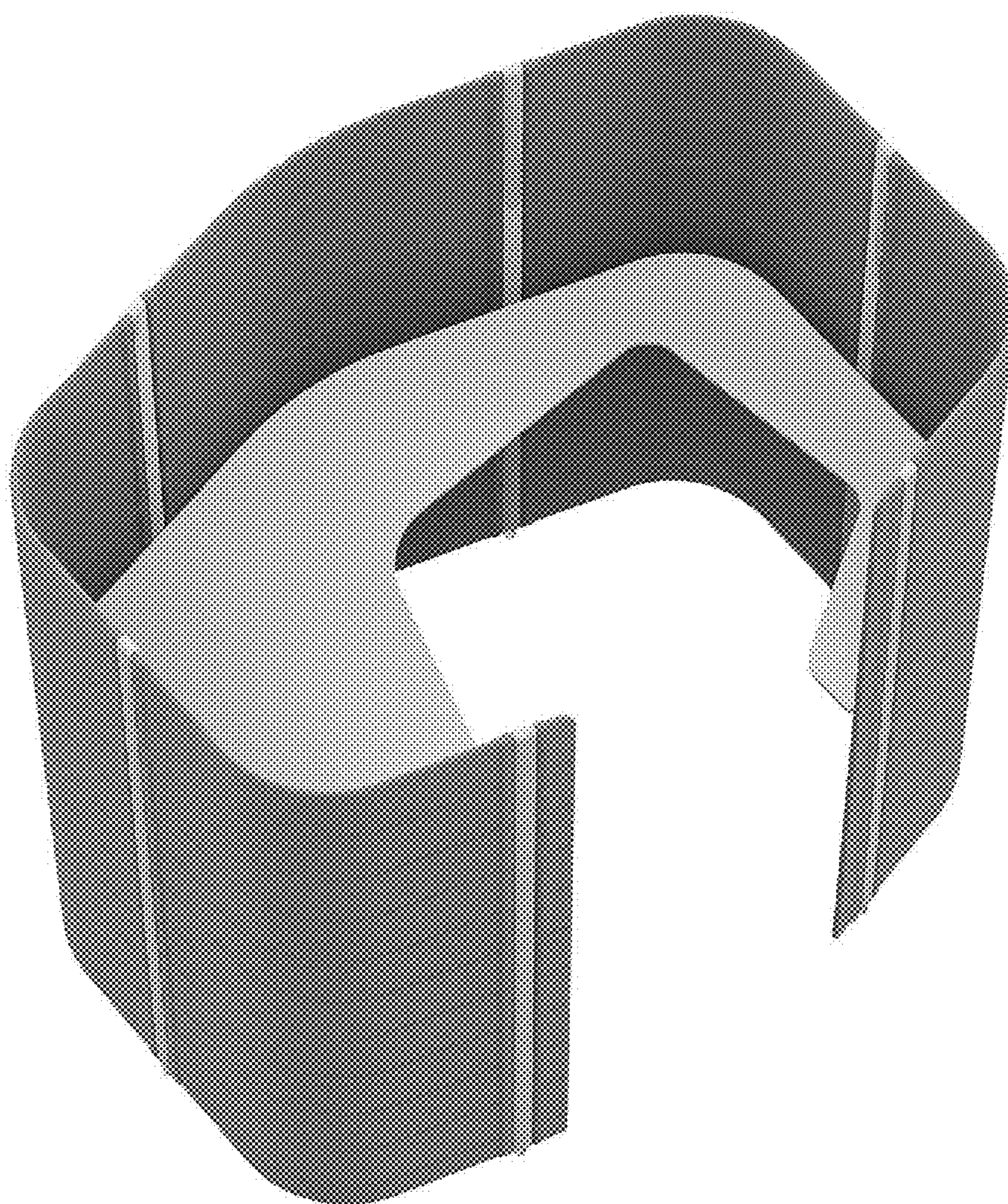


Fig. 1

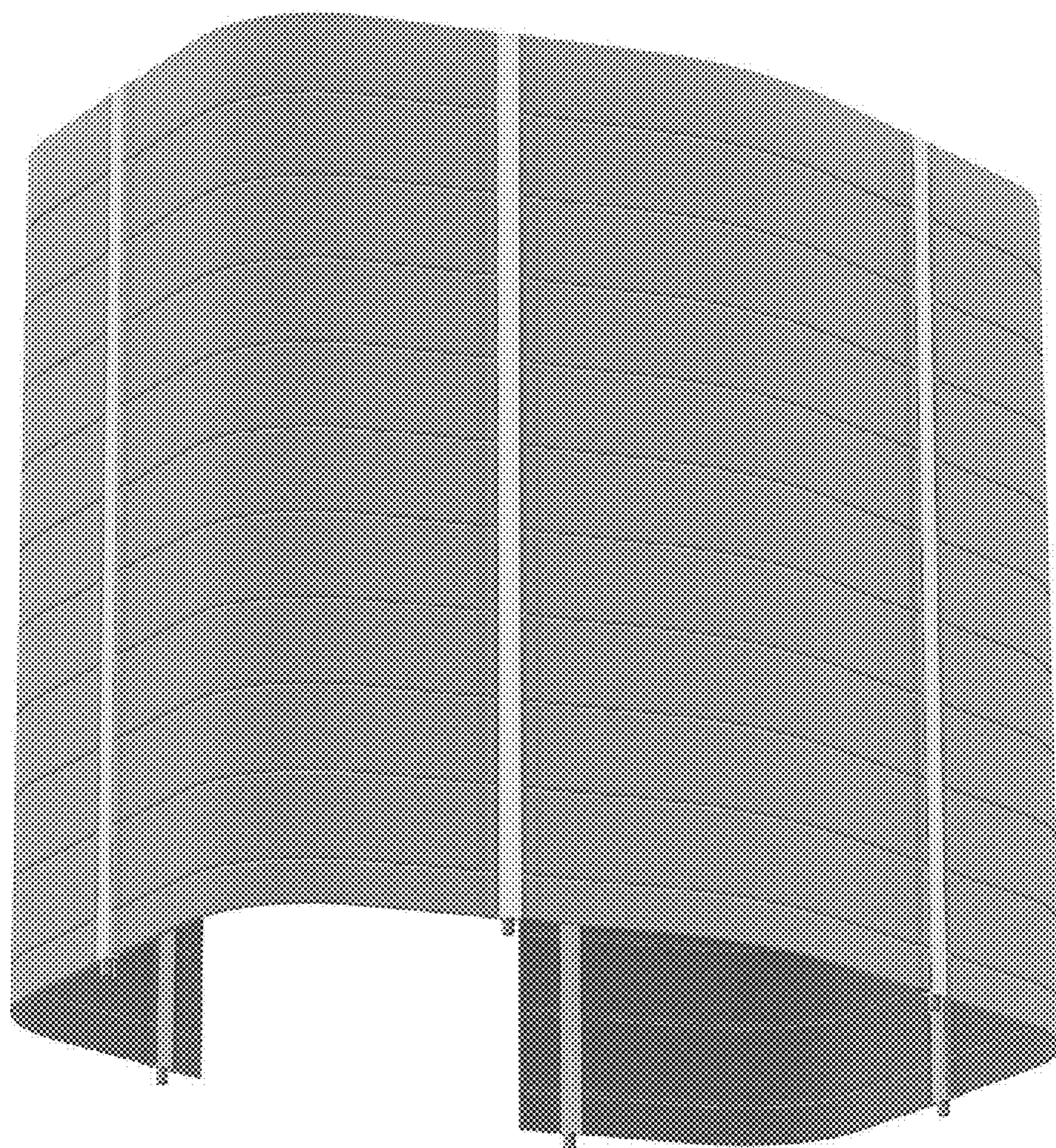


Fig. 2

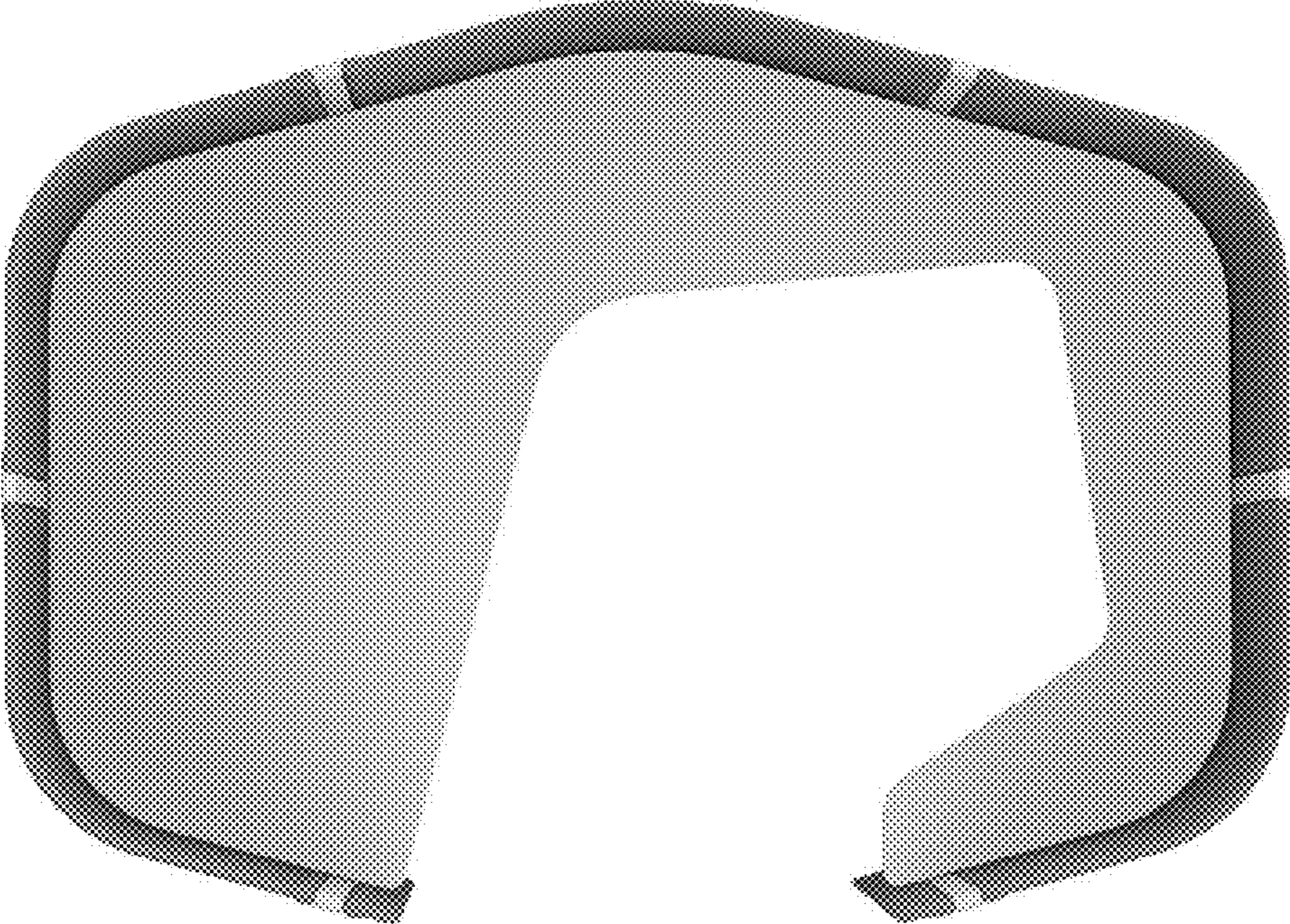


Fig. 3

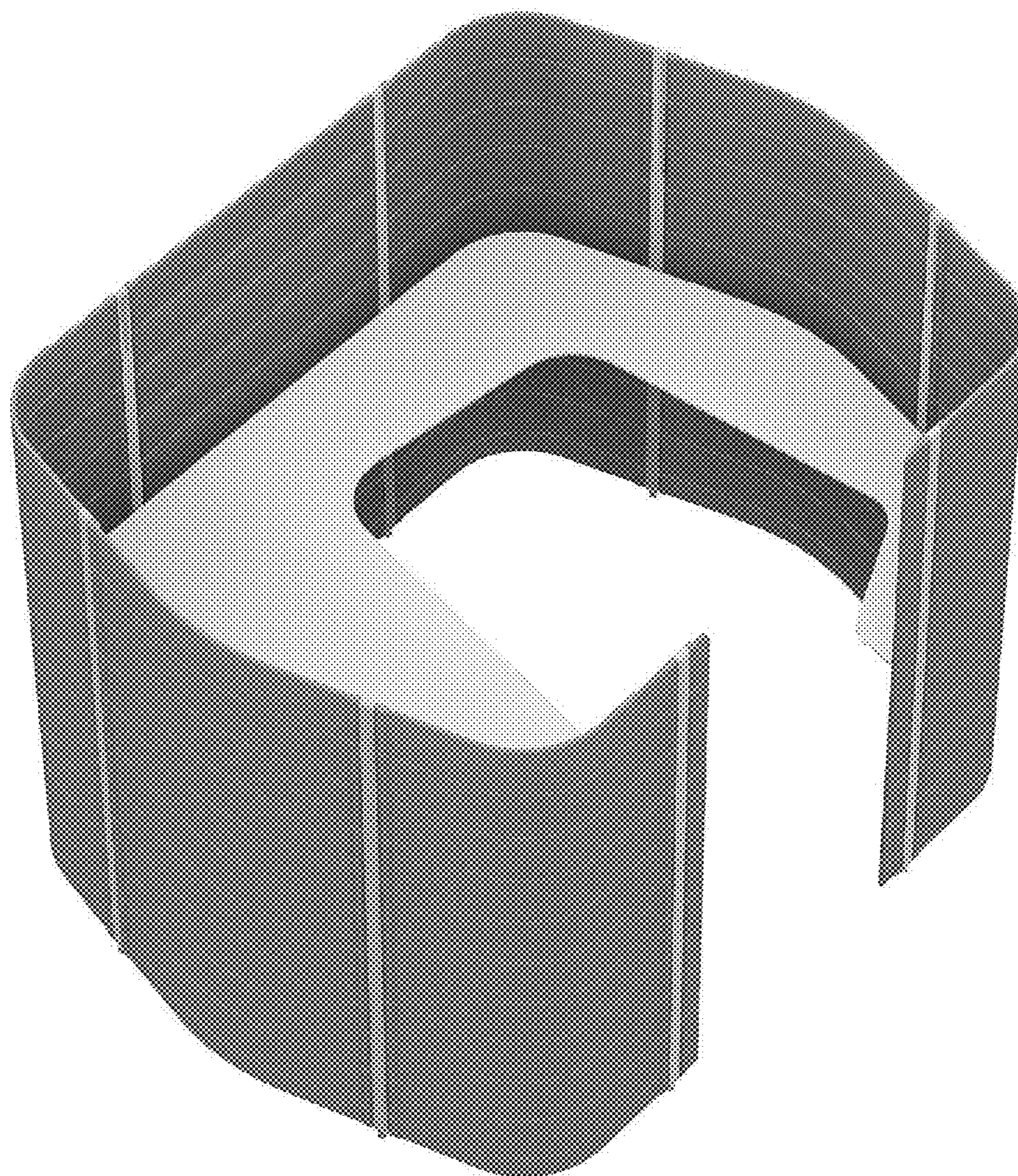


Fig. 4

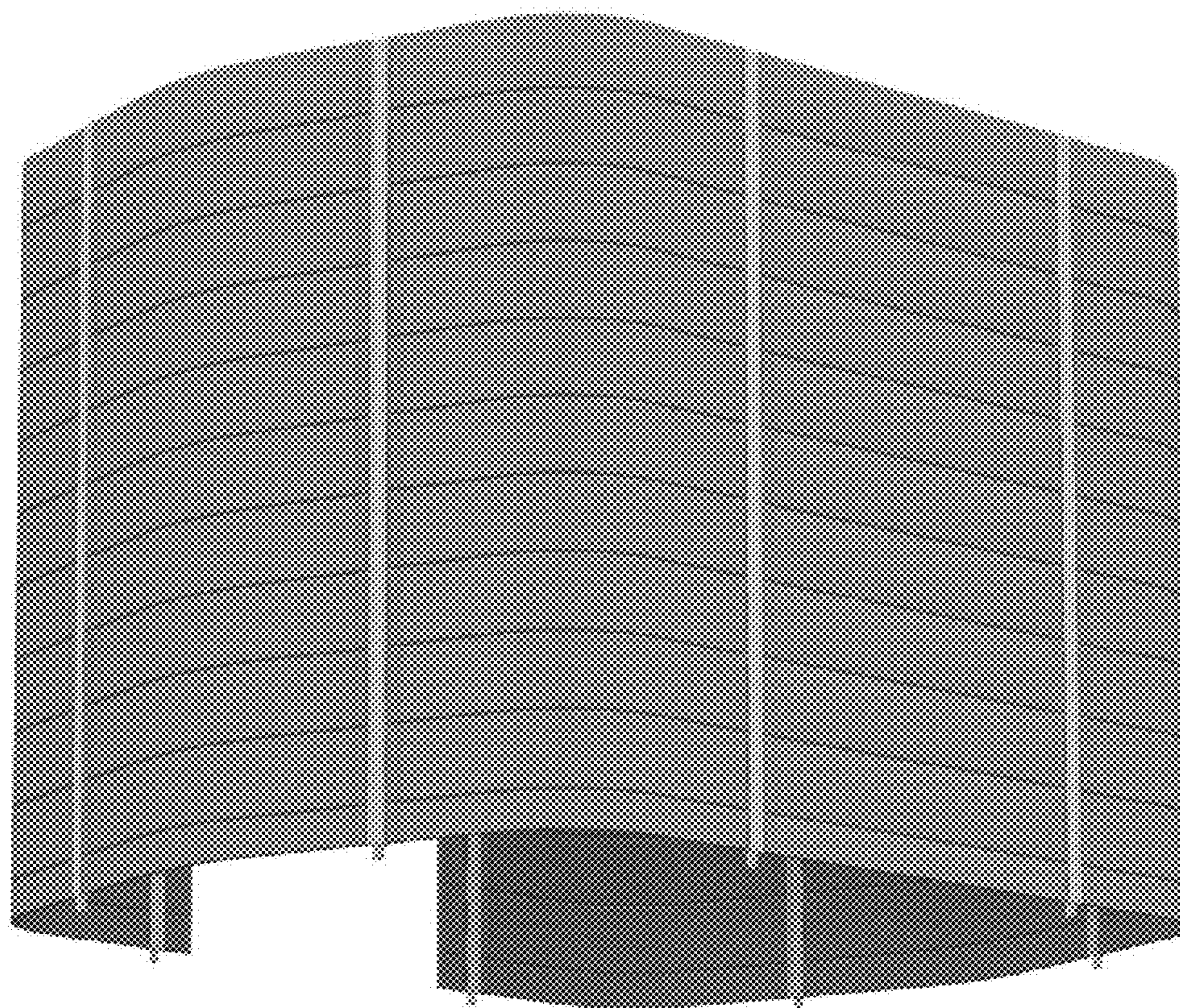


Fig. 5

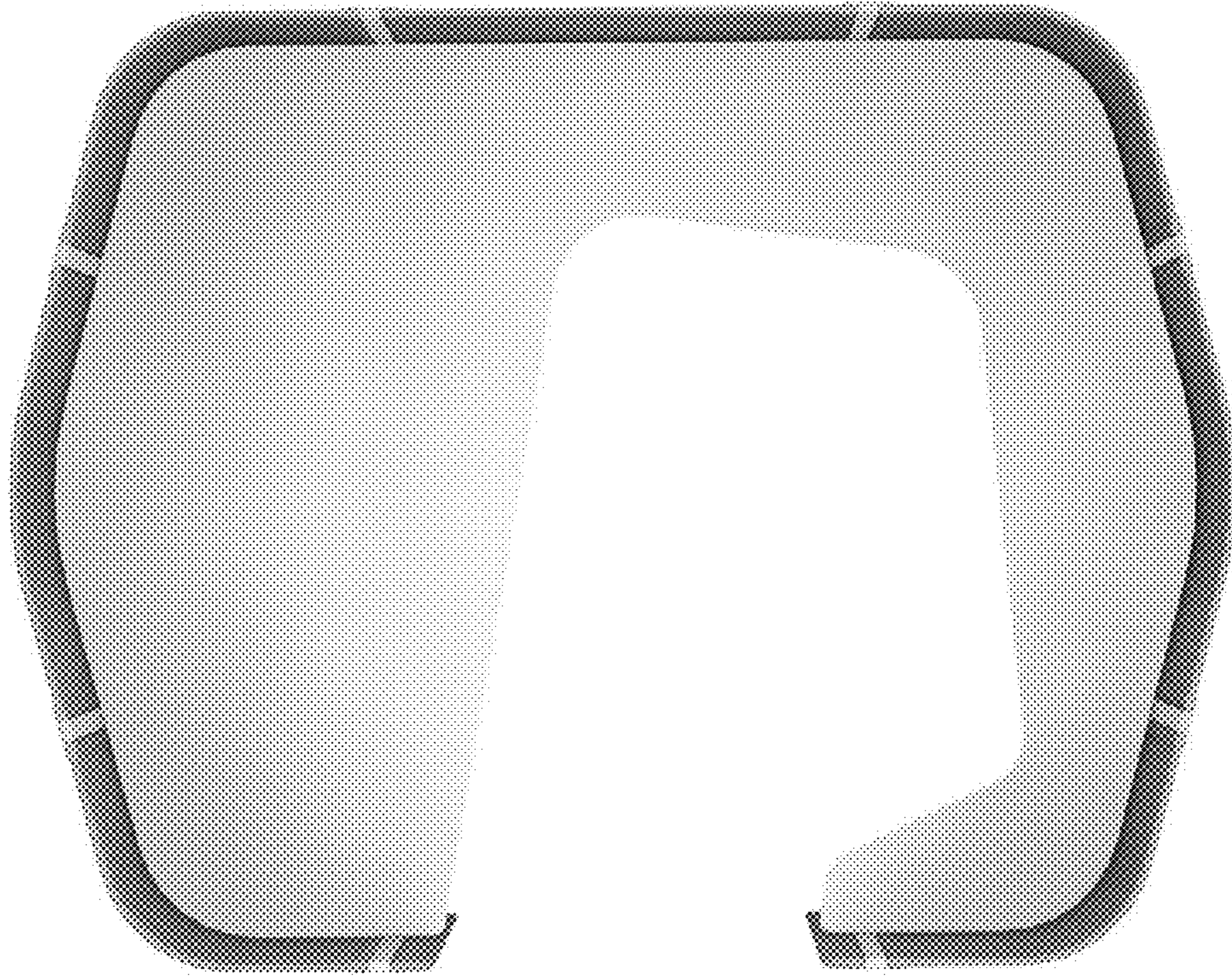


Fig. 6