



US00D732847S

(12) **United States Design Patent**
Jan

(10) **Patent No.:** **US D732,847 S**
(45) **Date of Patent:** **** Jun. 30, 2015**

(54) **COMBINED FOOTBALL WITH INTERNALLY STORED BLANKET**

D488,946 S 4/2004 Long et al.
D488,947 S 4/2004 Long et al.
D500,424 S 1/2005 Long et al.

(Continued)

(71) Applicant: **Joyce Jan**, Brea, CA (US)

(72) Inventor: **Joyce Jan**, Brea, CA (US)

(**) Term: **14 Years**

(21) Appl. No.: **29/515,189**

(22) Filed: **Jan. 20, 2015**

(51) **LOC (10) Cl.** **06-13**

(52) **U.S. Cl.**

USPC **D6/591**; D6/603; D6/601

(58) **Field of Classification Search**

USPC D6/595-609; 5/413 R, 413 AM,
5/417-420, 482, 485, 490-492, 494, 495,
5/497-502, 630, 636, 639; D21/627,
D21/712; 446/73, 74, 76, 369; 473/575, 598
CPC A47G 9/00; A47G 9/02; A47G 9/0207;
A47G 9/0223; A47G 9/038; A47G 9/0246;
A47G 9/0253; A47G 9/0261; A47G 9/0262;
A47G 9/08; A47G 9/086; A47G 9/1045;
A47G 9/10; A63B 69/0079; A63H 3/005;
A63H 3/31; A47C 20/00; A47C 20/021;
A47D 15/001; A47D 15/008

See application file for complete search history.

(56) **References Cited**

U.S. PATENT DOCUMENTS

1,754,937 A 4/1930 Comstock
4,738,450 A * 4/1988 Wexler 473/598
5,090,938 A * 2/1992 Reynolds 446/369
5,328,399 A * 7/1994 Reynolds 446/27
D358,054 S 5/1995 Burdorf et al.
5,584,077 A * 12/1996 Thrift 2/239
D394,348 S 5/1998 Aliff
D405,926 S 2/1999 Badillo
5,893,811 A * 4/1999 Stover et al. 473/575
6,421,852 B1 * 7/2002 Shao 5/413 R
6,543,072 B2 * 4/2003 Hsu 5/413 R
D480,902 S 10/2003 Long et al.

FOREIGN PATENT DOCUMENTS

CN 2015065620 6/2010

OTHER PUBLICATIONS

North American Bear Co. Football with Blanket—The Animal Kingdom <http://www.theanimalkingdom.com/products/north-american-bear-co-football-with-blanket> retrieved from the internet on Apr. 15, 2015.*

Primary Examiner — Mary Ann Calabrese

(74) *Attorney, Agent, or Firm* — Cislo & Thomas, LLP

(57) **CLAIM**

The ornamental design for a combined football with internally stored blanket, as shown and described.

DESCRIPTION

FIG. 1 is a top perspective view of my combined football with internally stored blanket;

FIG. 2 is a top view thereof;

FIG. 3 is a bottom perspective view thereof;

FIG. 4 is a bottom view with the zipper in a closed configuration thereof;

FIG. 5 is a bottom view with the zipper in an alternate open configuration showing the blanket inside thereof;

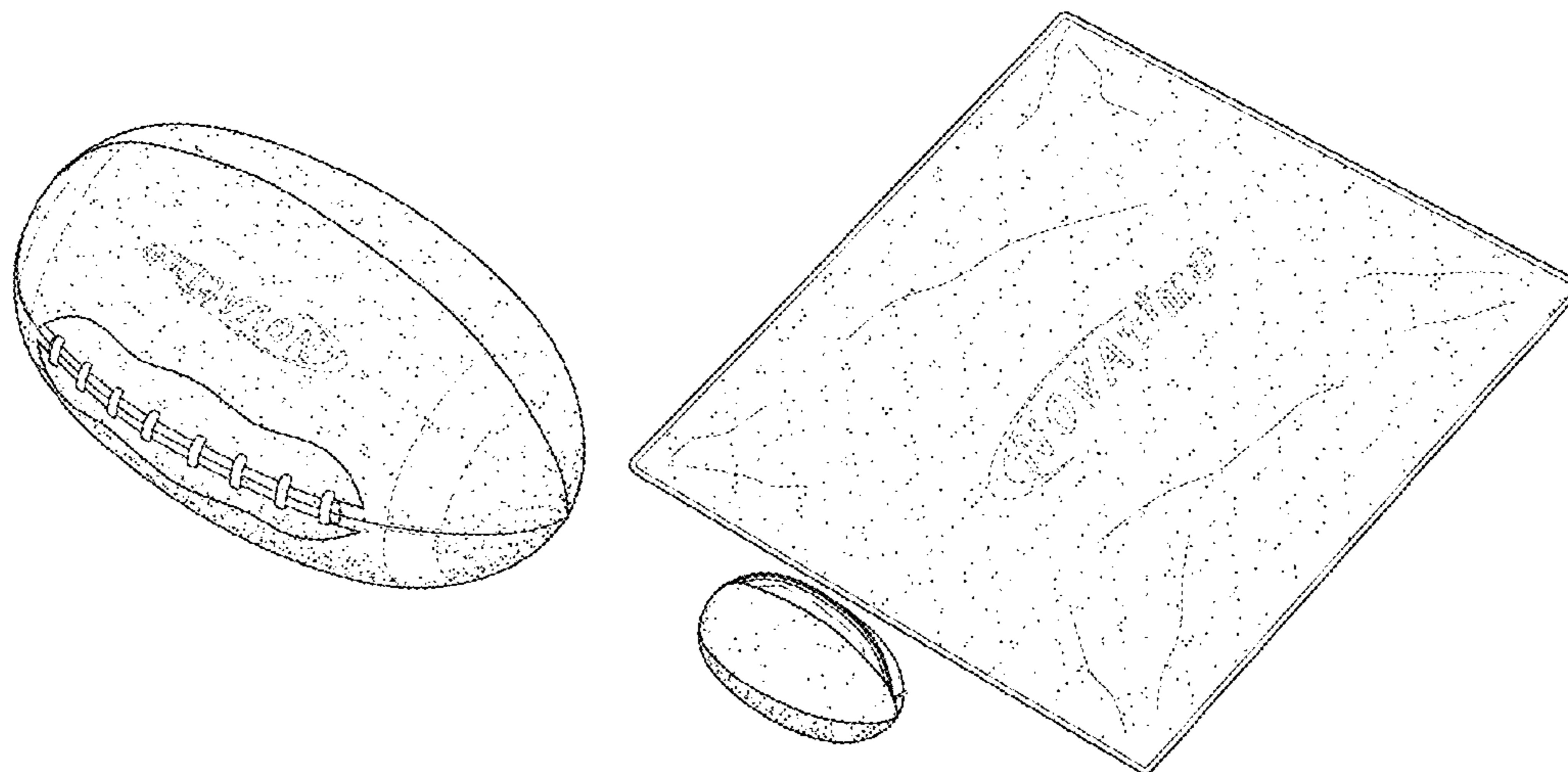
FIG. 6 is a bottom view with the zipper in the open configuration showing the blanket removed thereof;

FIG. 7 is a bottom view of an alternate embodiment with the zipper in open configuration showing the blanket inside attached to the football thereof; and,

FIG. 8 is a bottom view of the alternate embodiment with the zipper in open configuration showing the blanket removed thereof.

The broken lines are for environmental purposes only and form no part of the claimed design.

1 Claim, 6 Drawing Sheets



(56)

References Cited

U.S. PATENT DOCUMENTS

7,987,536 B1 * 8/2011 Habig et al. 5/413 R
D665,467 S * 8/2012 Smoot et al. D21/627
D665,468 S 8/2012 Smoot et al.
8,321,978 B1 * 12/2012 Fulton 5/639

2004/0199998 A1 10/2004 Shinner
2010/0178837 A1 * 7/2010 Daniels 446/73
2011/0070802 A1 3/2011 Li et al.
2012/0088428 A1 4/2012 Smoot et al.
2012/0167304 A1 7/2012 Keller

* cited by examiner

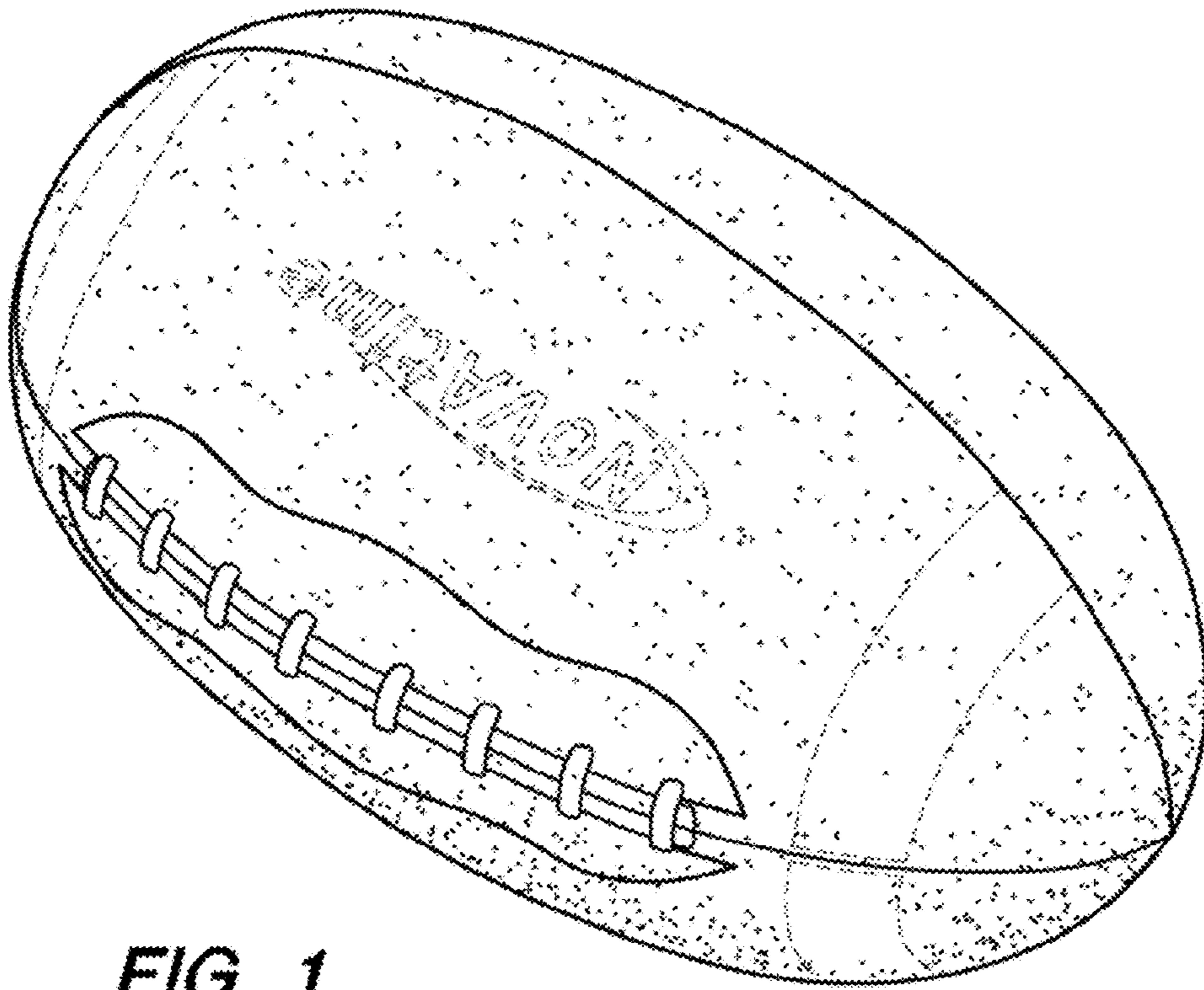


FIG. 1

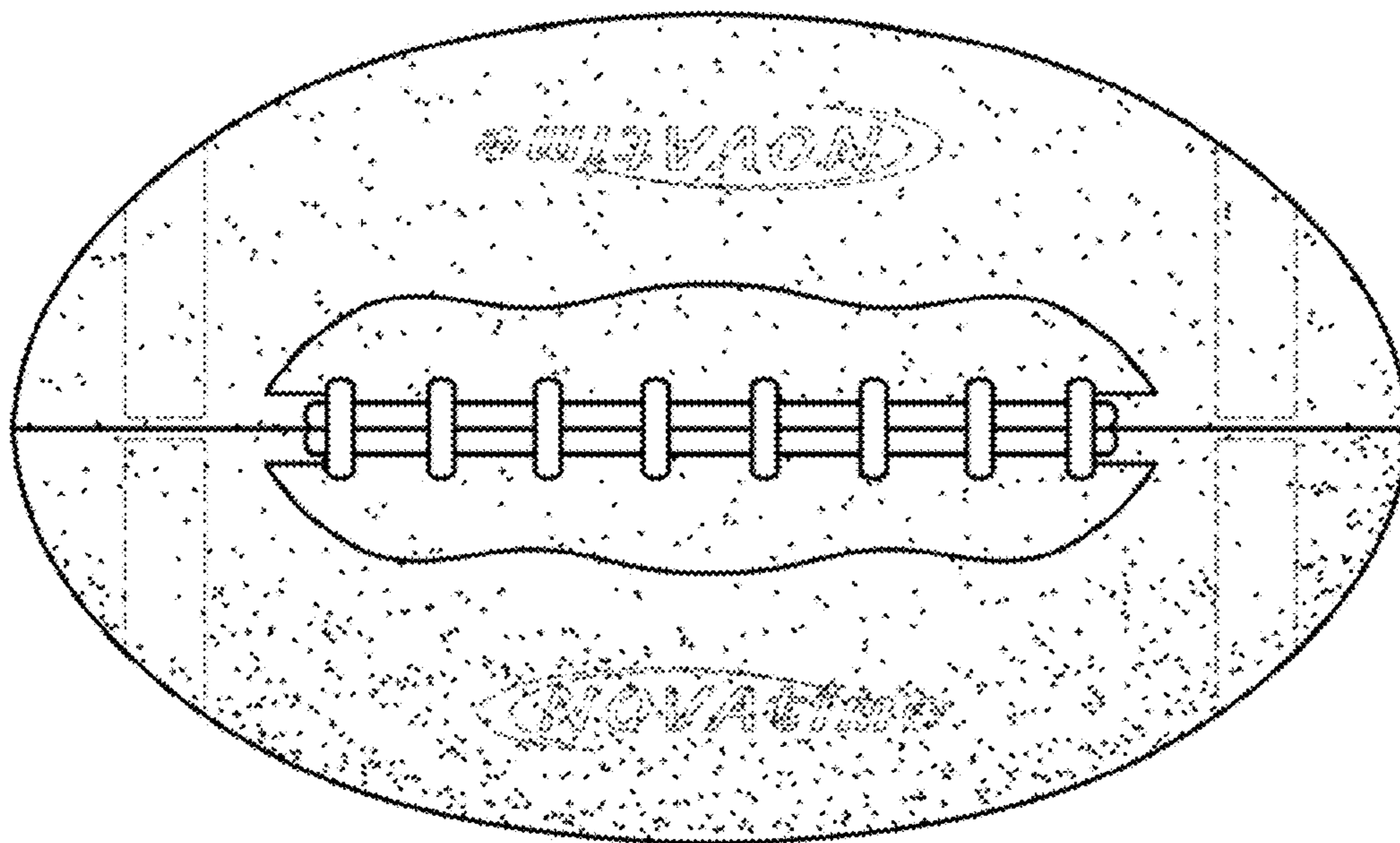


FIG. 2

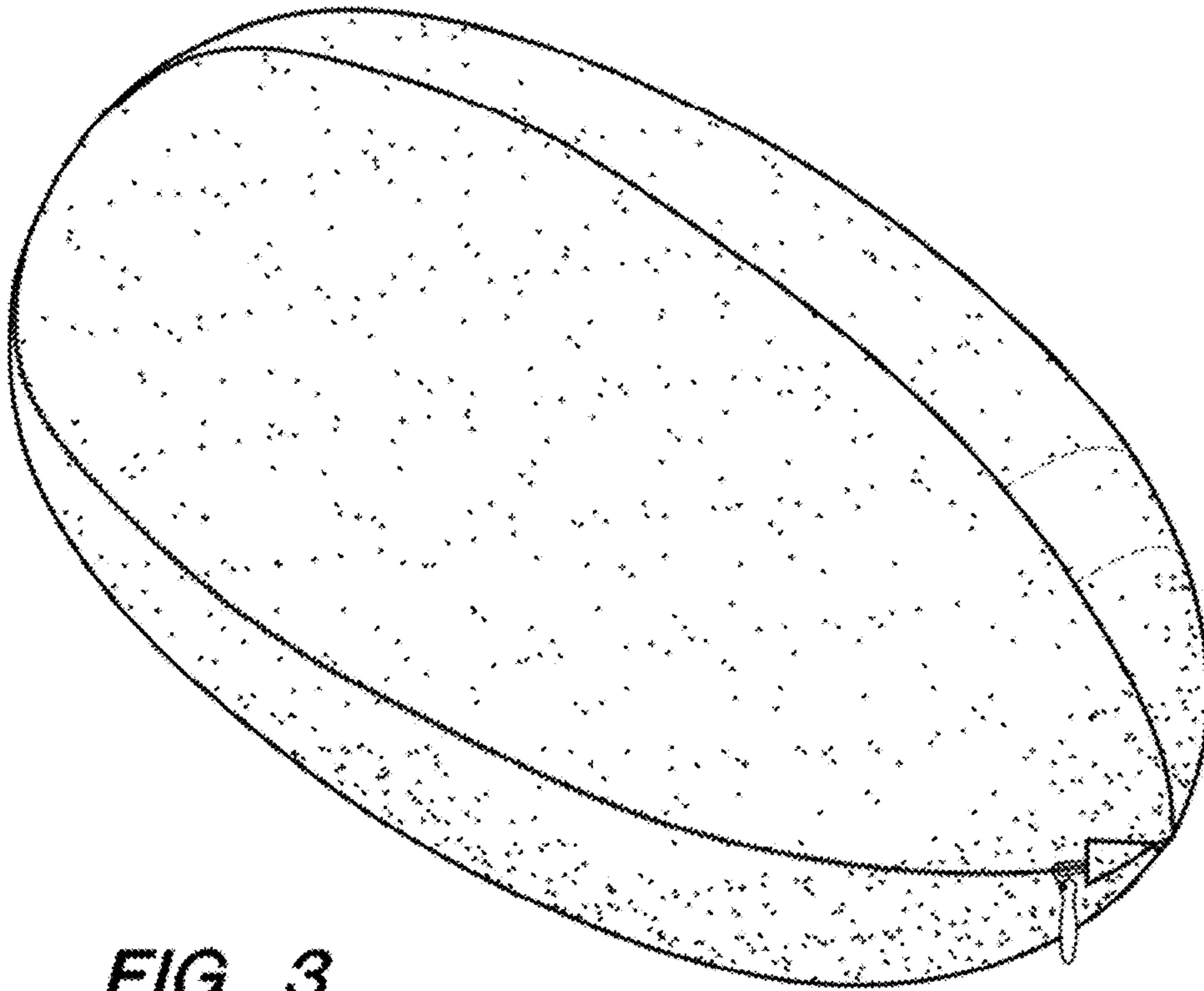


FIG. 3

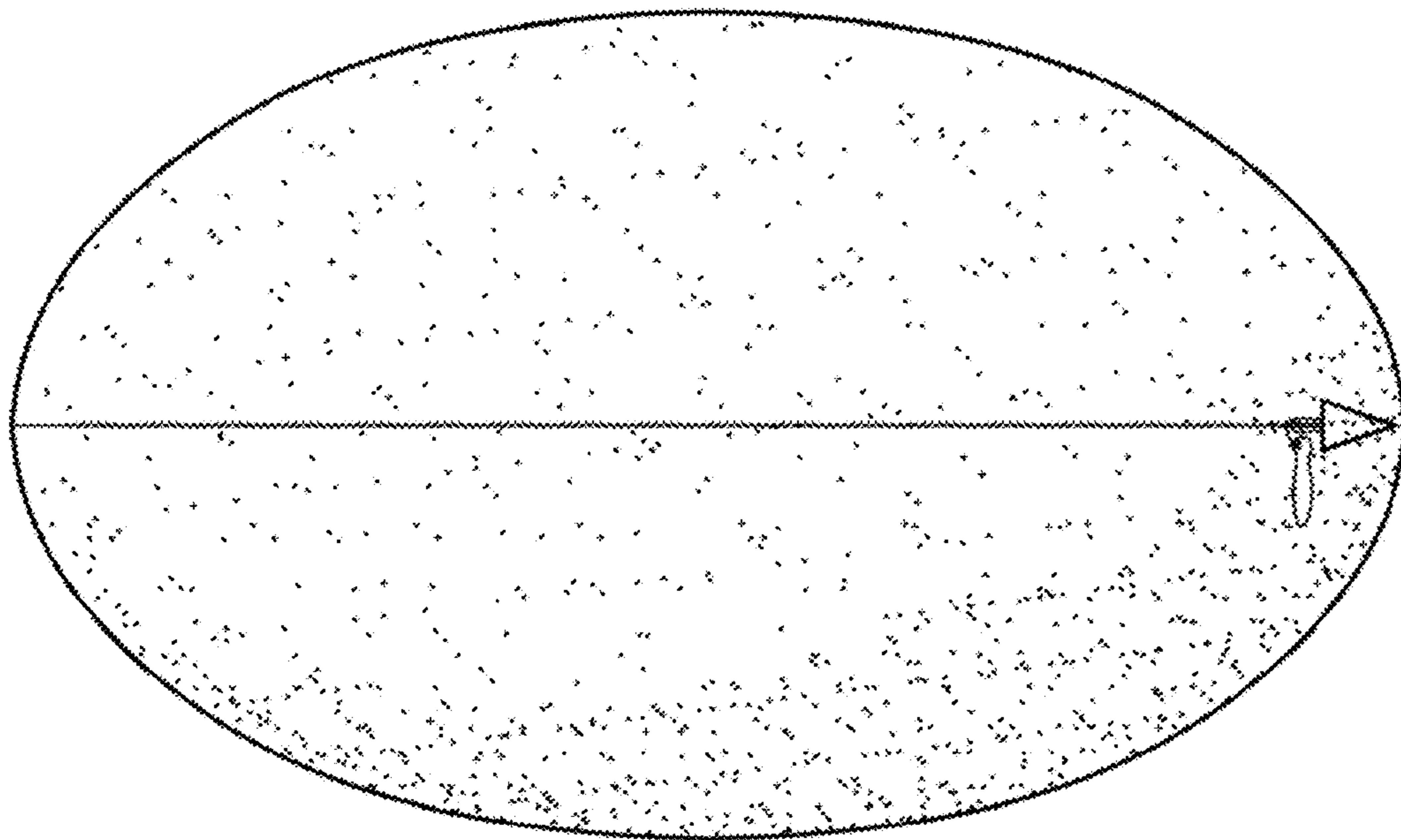


FIG. 4

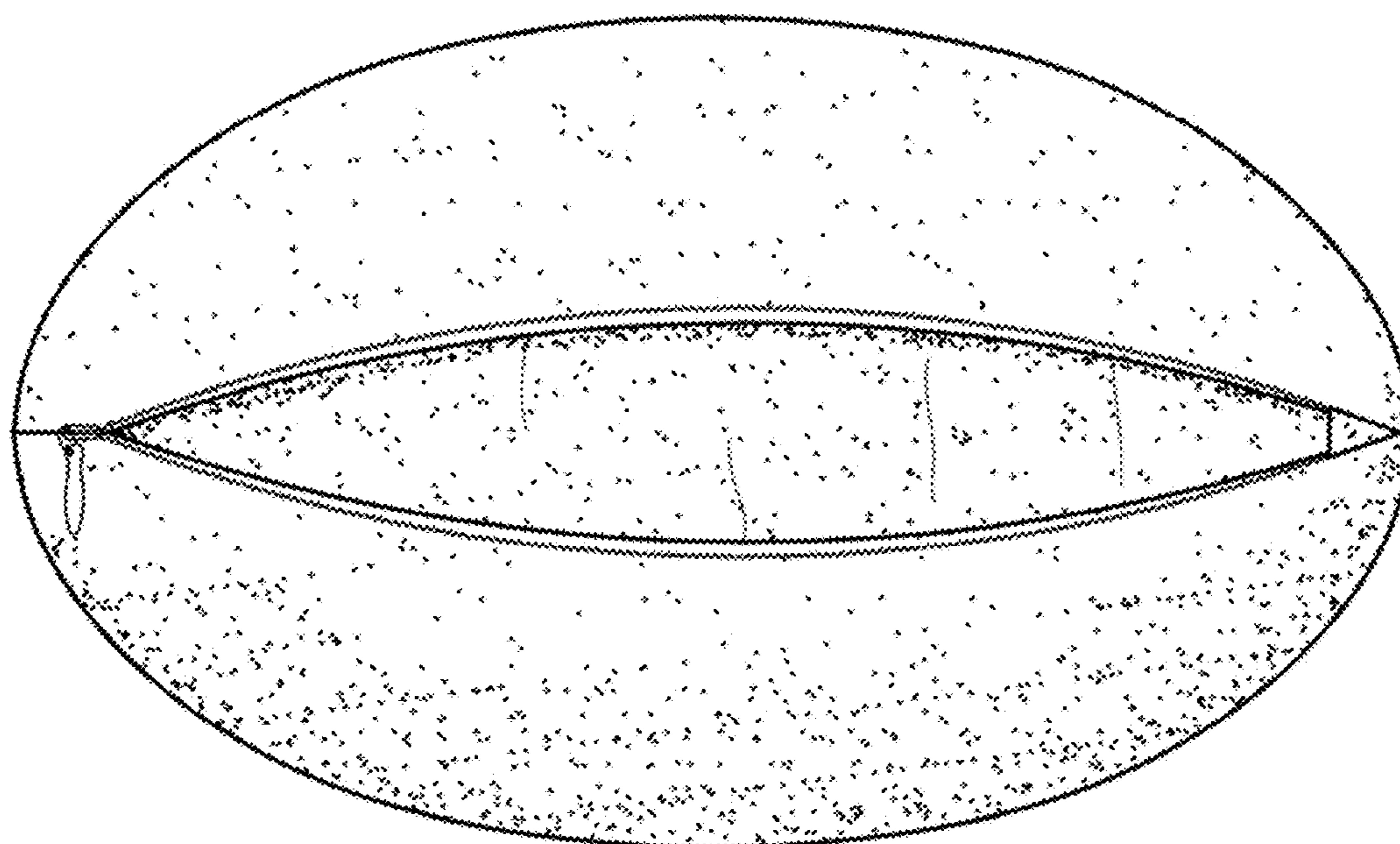


FIG. 5

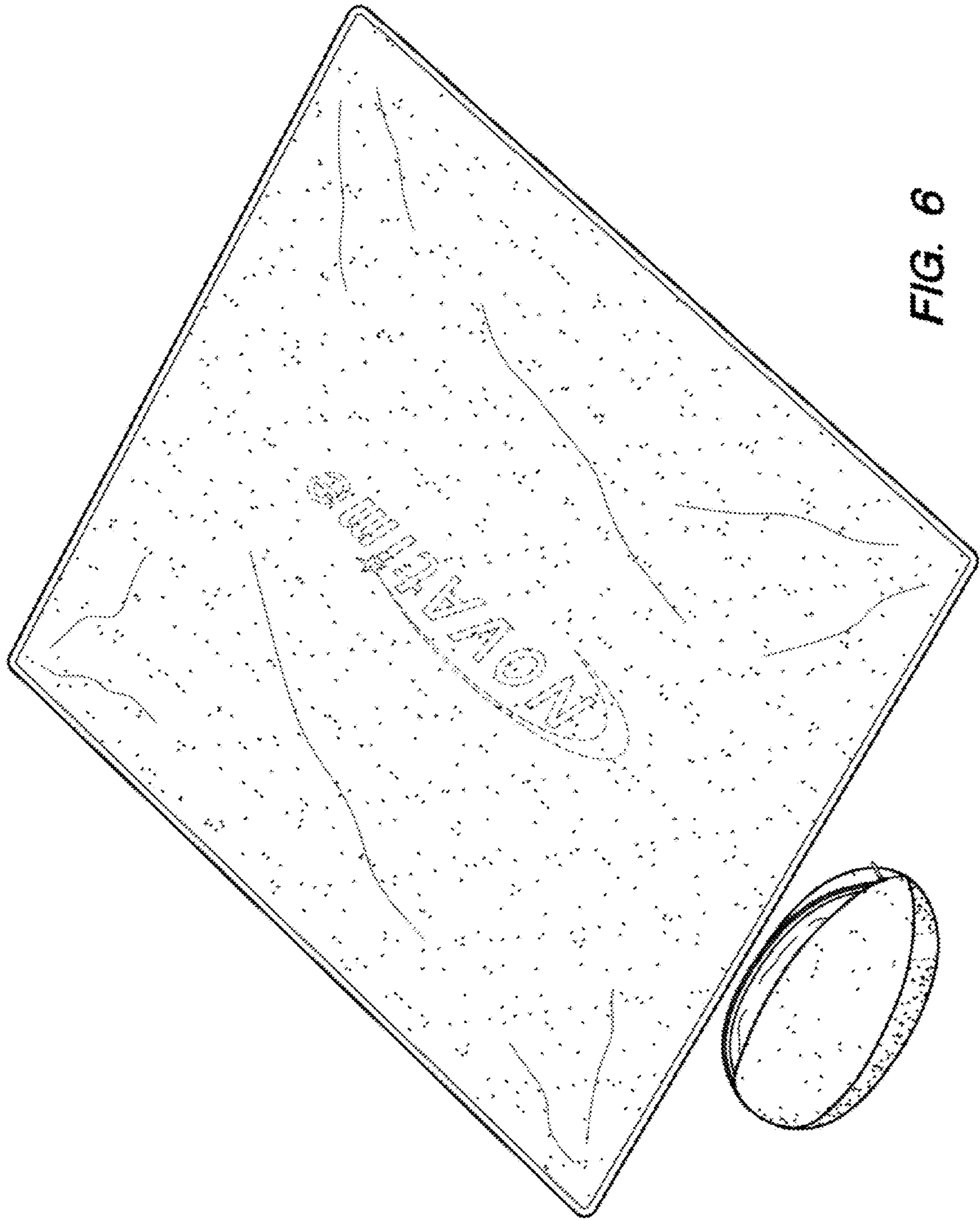


FIG. 6

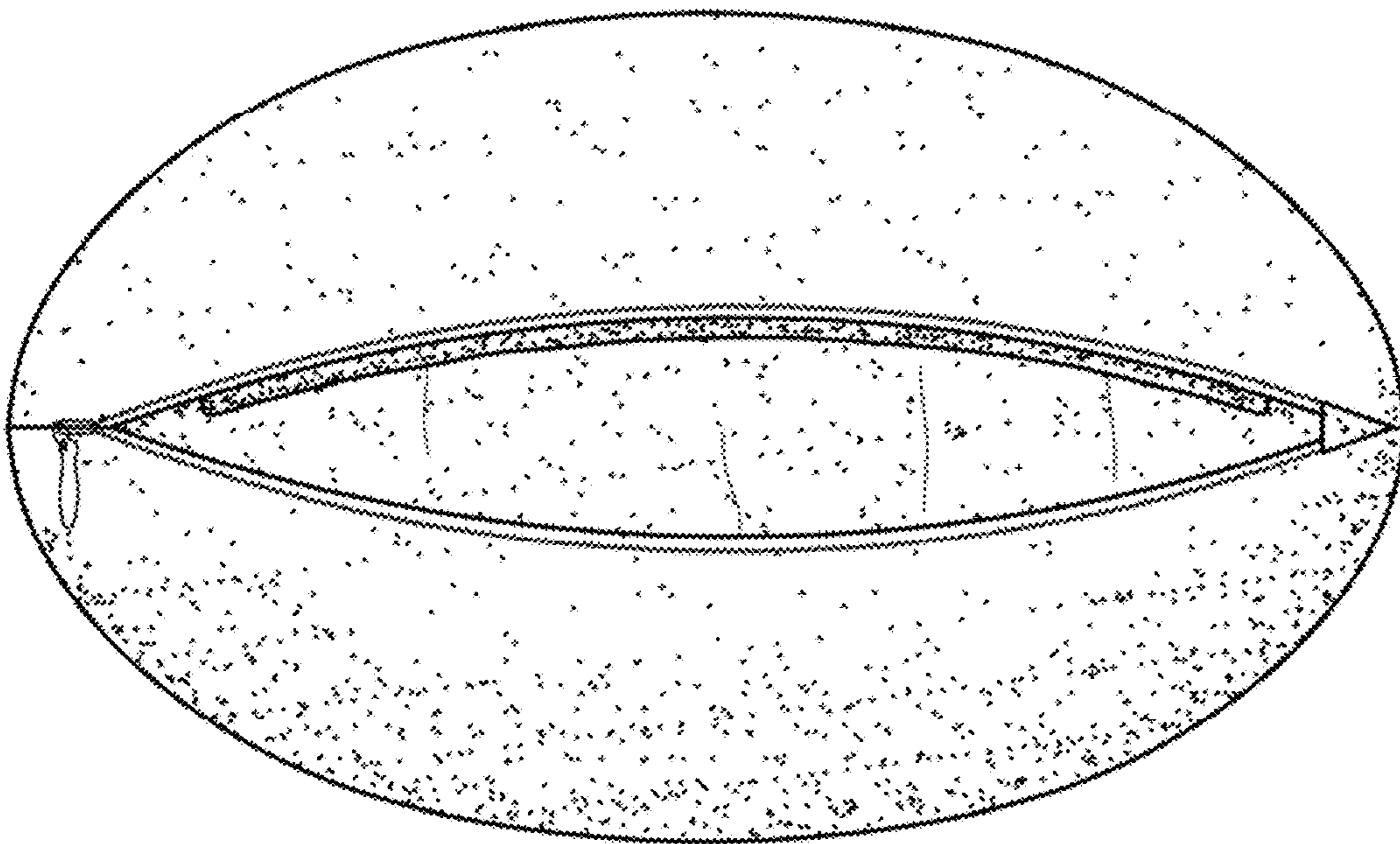


FIG. 7

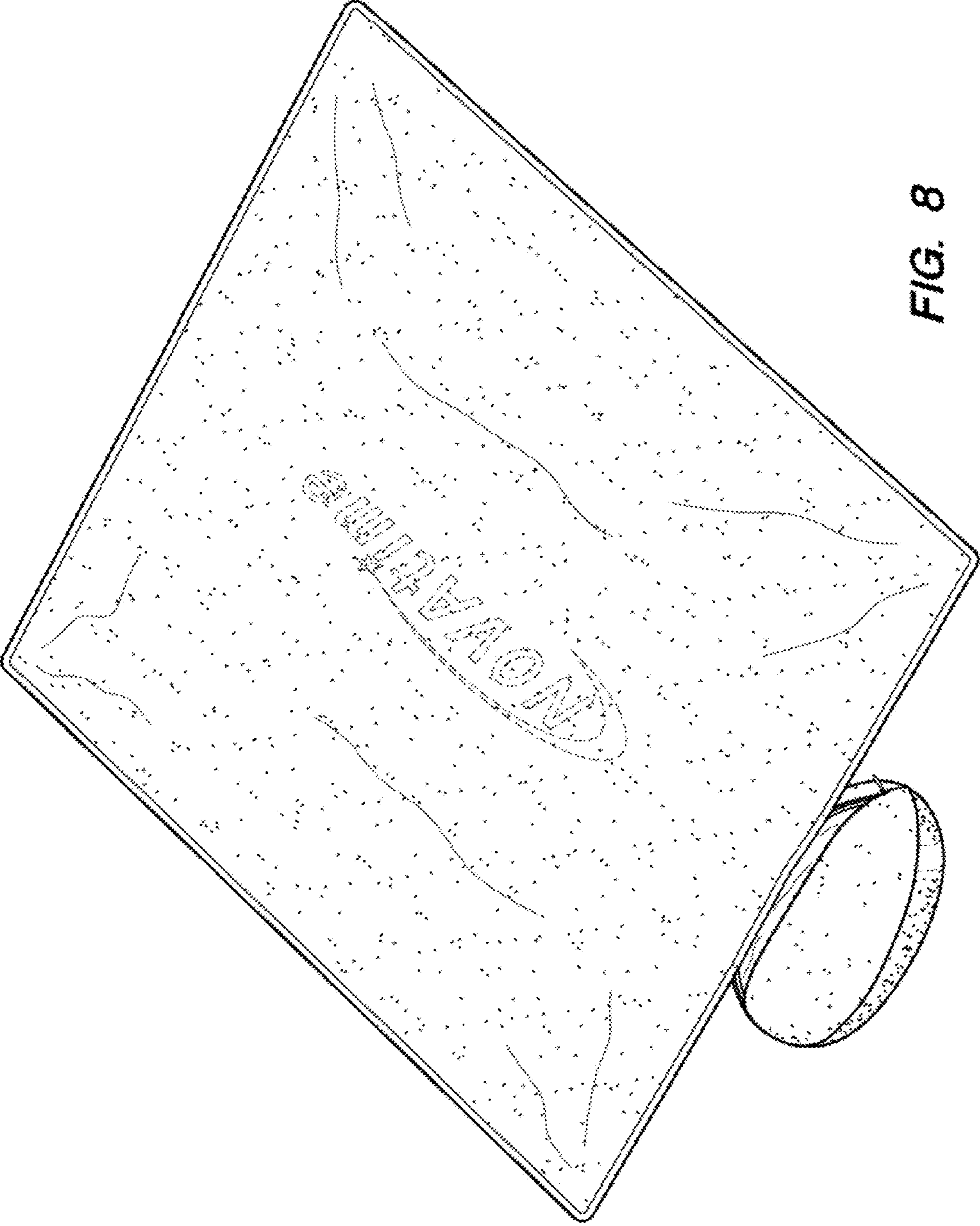


FIG. 8