



US00D732845S

(12) **United States Design Patent**  
**Darasch**

(10) **Patent No.:** **US D732,845 S**  
(45) **Date of Patent:** **\*\* Jun. 30, 2015**

(54) **CURTAIN ENCLOSURE**  
(71) Applicant: **Steve Darasch**, Toronto (CA)  
(72) Inventor: **Steve Darasch**, Toronto (CA)  
(\*\*) Term: **14 Years**  
(21) Appl. No.: **29/451,887**

2,303,502 A *	12/1942	Rous	24/334
4,251,015 A *	2/1981	Gale, Jr.	224/154
4,594,742 A *	6/1986	Zeigler et al.	4/607
5,337,425 A *	8/1994	Hill	4/610
D379,297 S *	5/1997	Shires	D8/376
D543,839 S *	6/2007	Cooper et al.	D8/376
7,703,499 B2 *	4/2010	Tait et al.	160/84.01
D656,003 S *	3/2012	Quaack	D8/376
D681,423 S *	5/2013	Walker et al.	D8/376
2006/0010647 A1 *	1/2006	Nien	16/106
2014/0345814 A1 *	11/2014	Bar-lev et al.	160/333

(22) Filed: **Apr. 10, 2013**  
(51) **LOC (10) Cl.** ..... **06-10**  
(52) **U.S. Cl.**  
USPC ..... **D6/575**  
(58) **Field of Classification Search**  
USPC ..... D6/575, 576, 577, 578, 579, 580, 581;  
160/84.01, 84.02, 84.03, 84.04, 84.05,  
160/84.06, 84.07, 84.08, 107, 108, 111,  
160/113, 130, 133; D8/349, 352, 353, 368,  
D8/369, 376  
CPC ..... E06B 3/30; E06B 9/00; E06B 9/02;  
E06B 9/24; E06B 9/262; A47H 1/00; A47H  
1/02; A47H 21/00; A47H 23/00; A47H 23/02;  
A47H 23/04; A47H 2001/0205; A47H  
2023/025  
See application file for complete search history.

\* cited by examiner  
*Primary Examiner* — Karen S Acker  
*Assistant Examiner* — Wendy Arminio

(57) **CLAIM**  
The ornamental design for a curtain enclosure, as shown and described.

**DESCRIPTION**

FIG. 1 is a front perspective view of a curtain enclosure of the present design, shown in a position of use.  
FIG. 2 is a rear perspective view thereof.  
FIG. 3 is a top plan view of the curtain enclosure shown in FIG. 1; and,  
FIG. 4 is a side elevational view of the curtain enclosure shown in FIG. 1.  
The broken lines showing a bathtub and flooring depict environmental subject matter that forms no part of the claimed design.

(56) **References Cited**  
U.S. PATENT DOCUMENTS  
1,148,970 A \* 8/1915 King ..... 4/567  
2,062,474 A \* 12/1936 Pasman ..... 135/121

**1 Claim, 3 Drawing Sheets**

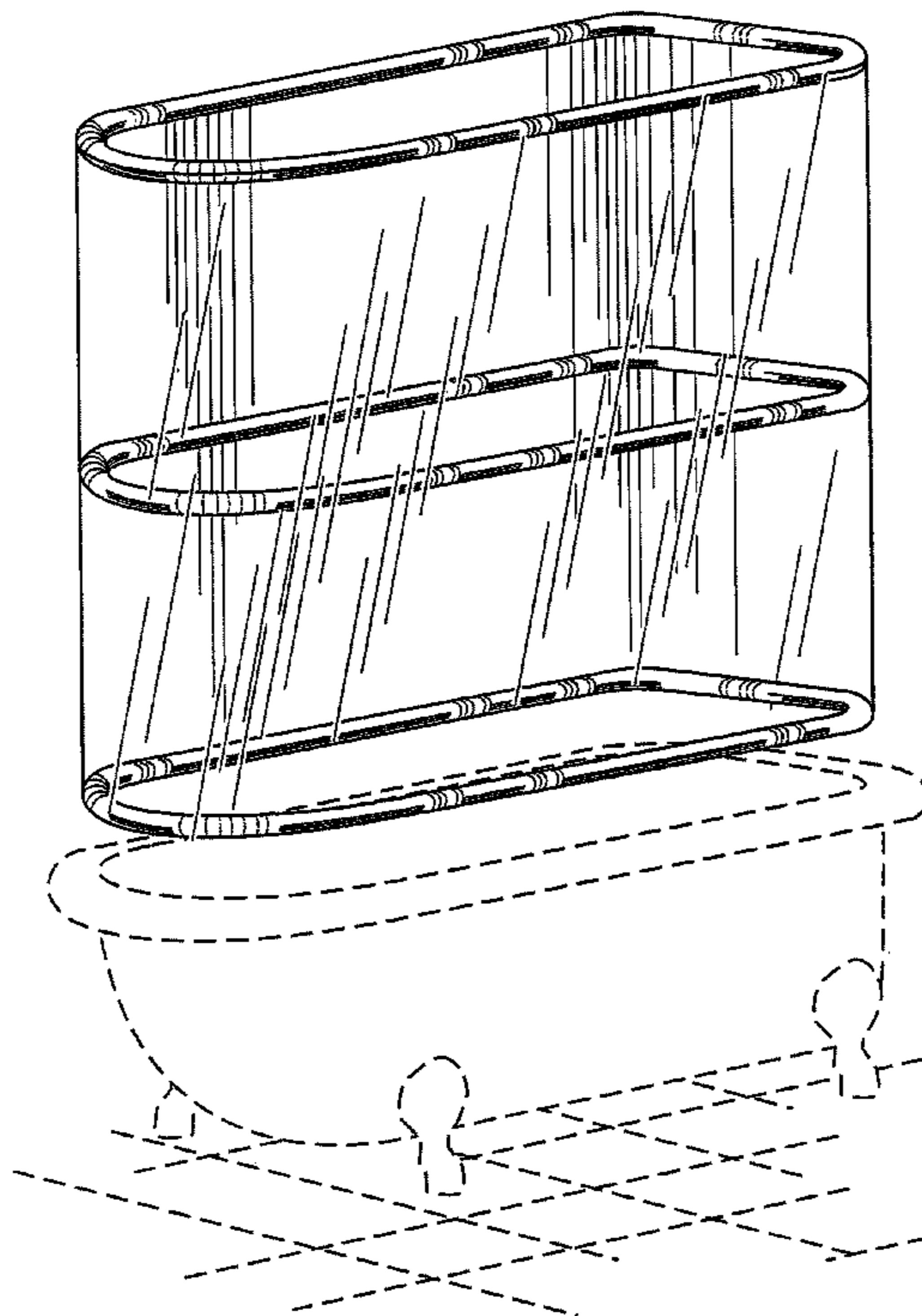


Fig. 1

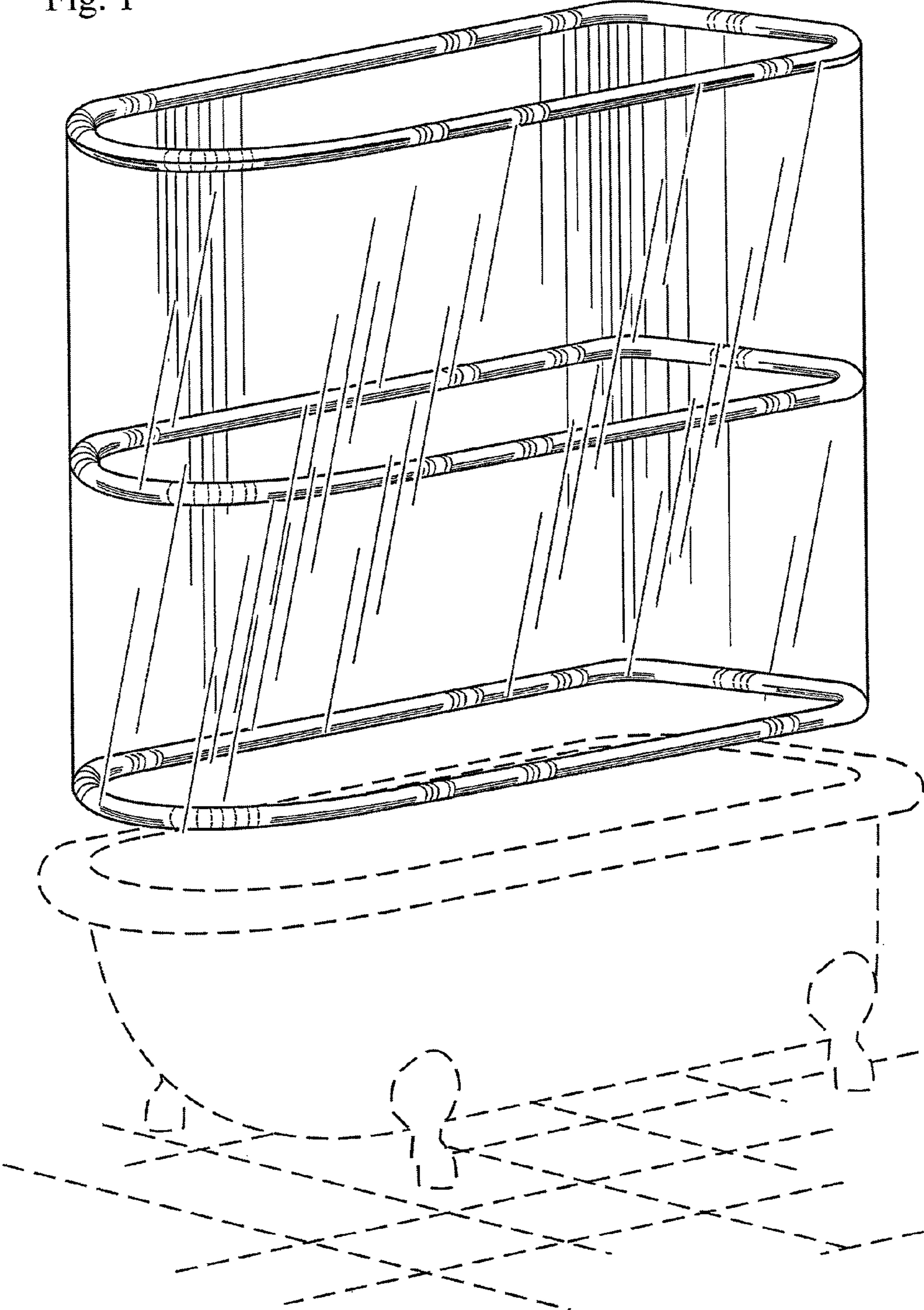
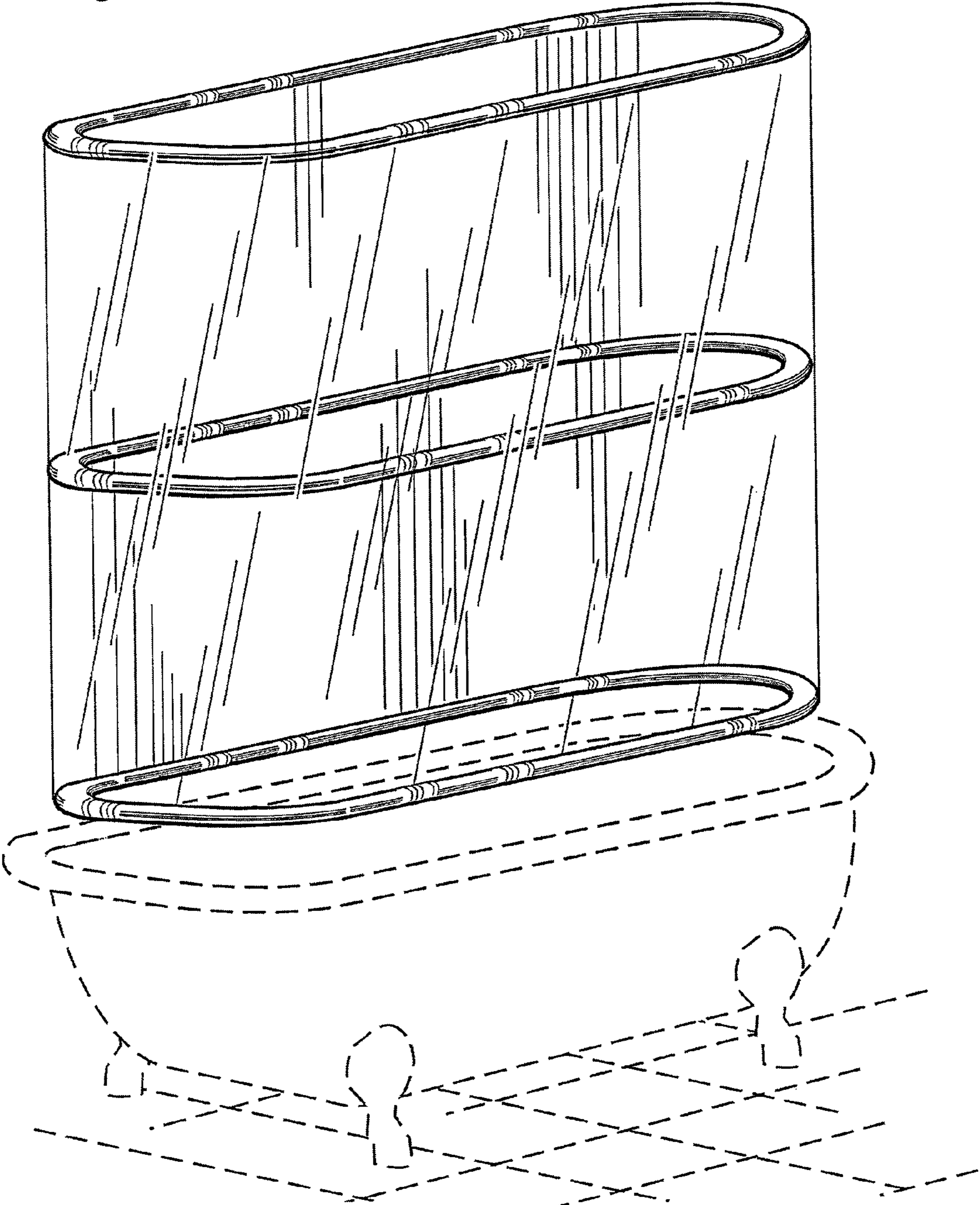


Fig. 2



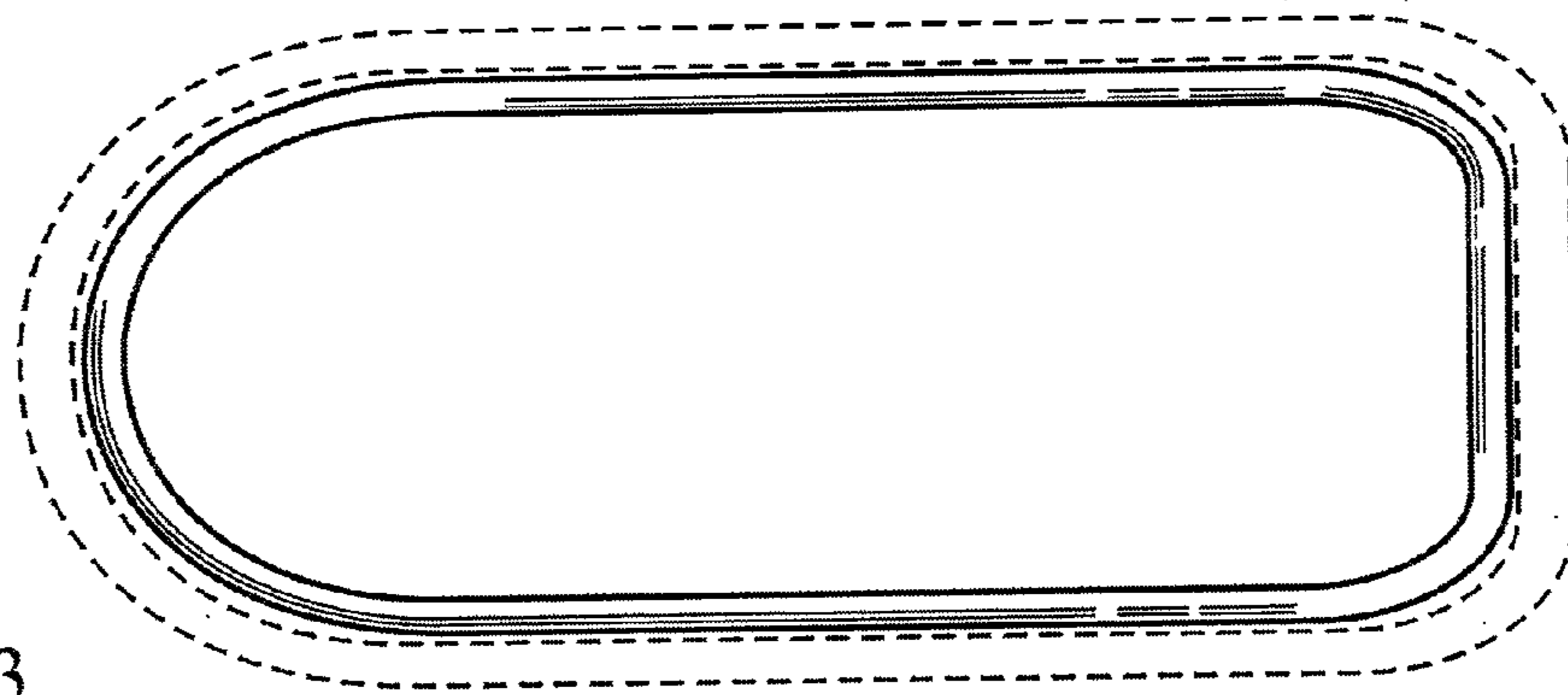


Fig. 3

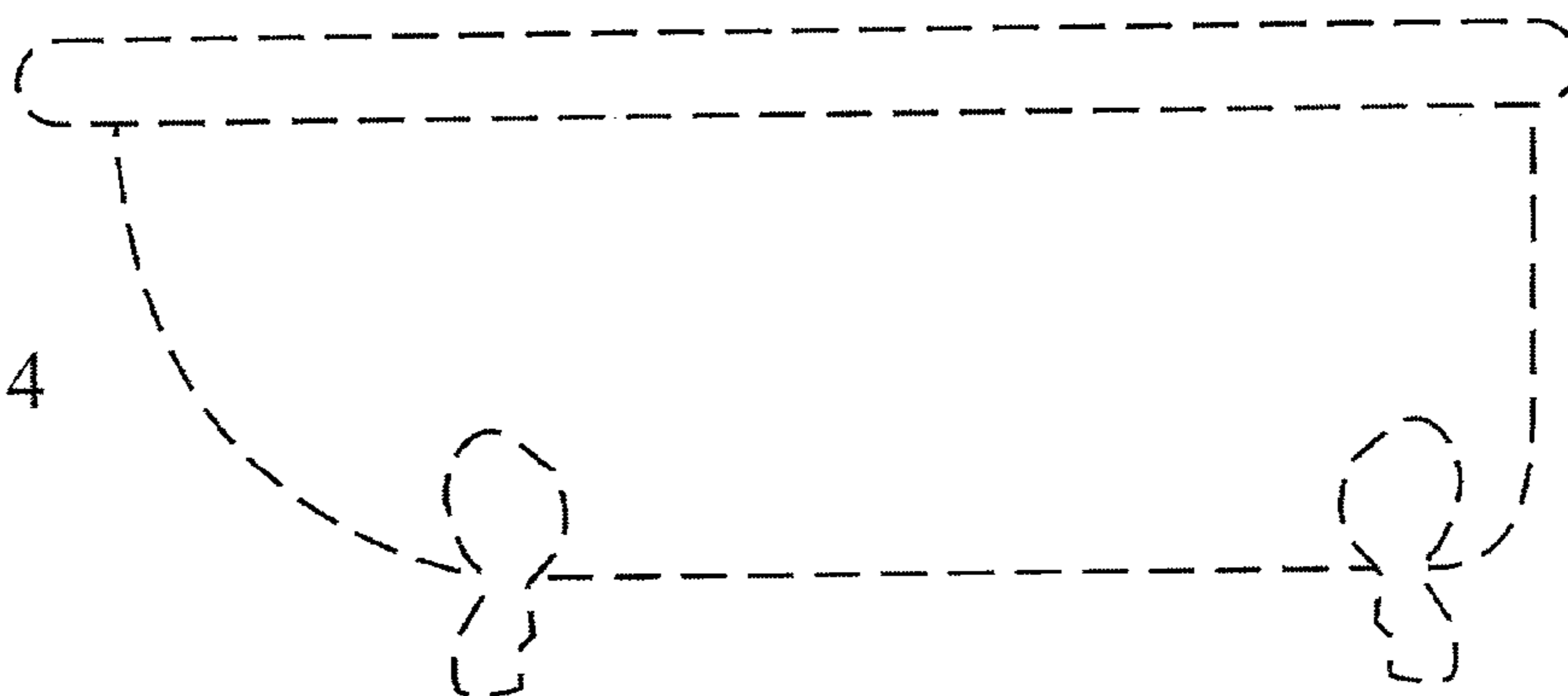
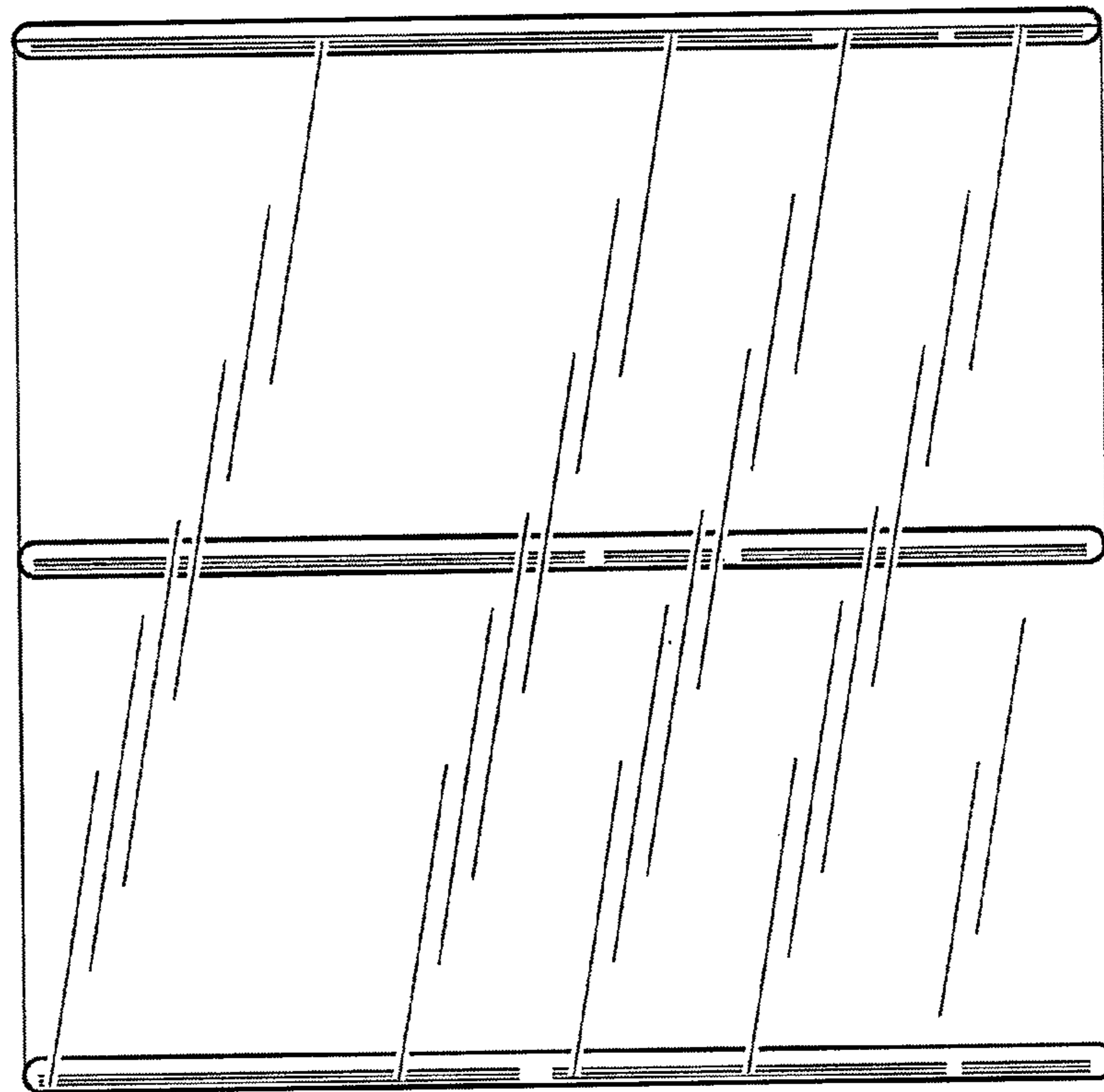


Fig. 4