

US00D732844S

(12) **United States Design Patent**  
**Georgeson**

(10) **Patent No.:** **US D732,844 S**

(45) **Date of Patent:** **\*\* Jun. 30, 2015**

(54) **WALL FIXTURE**

(71) Applicant: **Kohler Co.**, Kohler, WI (US)

(72) Inventor: **Paul B. Georgeson**, Sheboygan, WI (US)

(73) Assignee: **KOHLER CO.**, Kohler, WI (US)

(\*\*) Term: **14 Years**

(21) Appl. No.: **29/447,518**

(22) Filed: **Mar. 4, 2013**

(51) **LOC (10) Cl.** ..... **23-02**

(52) **U.S. Cl.**  
USPC ..... **D6/524; D6/550**

(58) **Field of Classification Search**  
USPC ..... D6/518-524, 546-550; D8/300, 370,  
D8/315; 108/28-29; 211/13.1, 16, 85.5,  
211/86.01, 87.01, 88.04, 100, 105.1, 105.2,  
211/106, 113, 123, 181.1, 182-183;  
248/49, 175, 176.1, 200, 201, 205.1,  
248/251, 302, 309.1, 315; 242/570, 590,  
242/595-598

See application file for complete search history.

(56) **References Cited**

**U.S. PATENT DOCUMENTS**

1,509,657	A	*	9/1924	Lachman	.....	248/251
D337,230	S	*	7/1993	Wang	.....	D6/550
D390,397	S	*	2/1998	Chen	.....	D6/550
D425,348	S	*	5/2000	Chen	.....	D6/524
D469,292	S	*	1/2003	Chen et al.	.....	D6/550
D473,412	S	*	4/2003	Chou	.....	D6/550
D474,957	S	*	5/2003	Singtoroj et al.	.....	D8/301
D475,767	S	*	6/2003	Yegyayan et al.	.....	D6/524

D546,606	S	*	7/2007	Berberet	.....	D6/524
D557,049	S	*	12/2007	Sedwick et al.	.....	D6/524
D640,078	S	*	6/2011	Gilbert	.....	D6/524

\* cited by examiner

*Primary Examiner* — Brian N Vinson

(74) *Attorney, Agent, or Firm* — Foley & Lardner LLP

(57) **CLAIM**

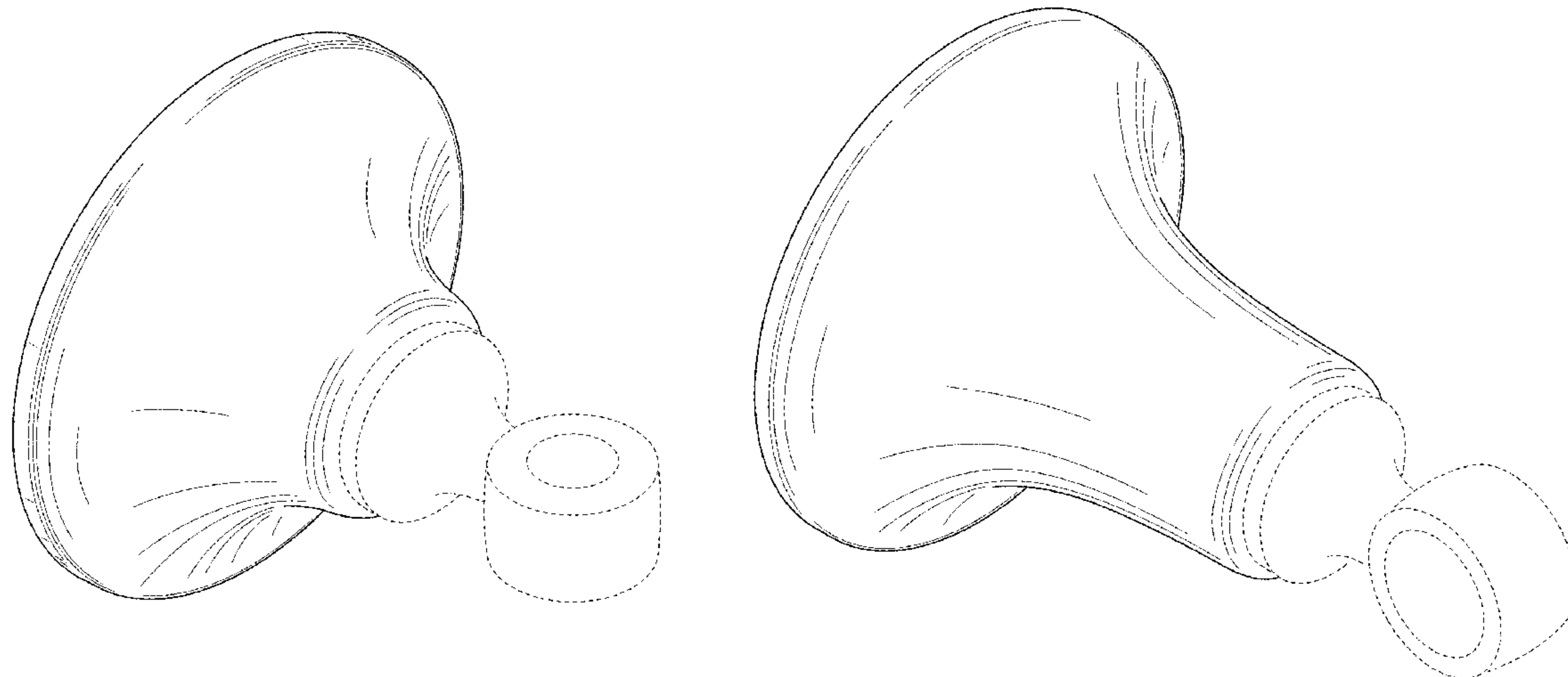
I claim the ornamental design for a wall fixture, as shown and described.

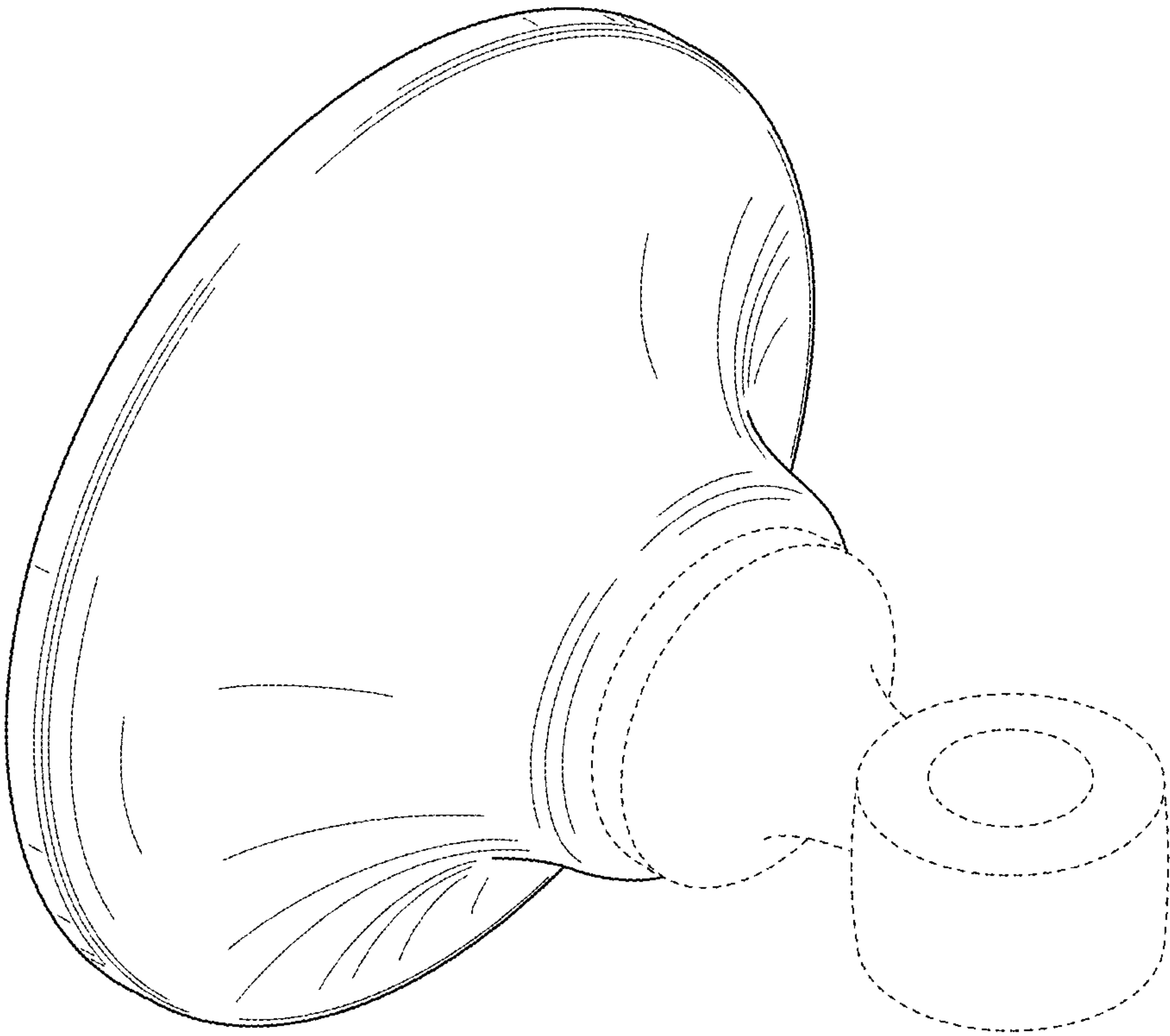
**DESCRIPTION**

FIG. 1 is a perspective view of the claimed design;  
 FIG. 2 is a front view of the claimed design shown in FIG. 1;  
 FIG. 3 is a rear view of the claimed design shown in FIG. 1;  
 FIG. 4 is a side view of the claimed design shown in FIG. 1;  
 FIG. 5 is another side view of the claimed design shown in FIG. 1;  
 FIG. 6 is a top view of the claimed design shown in FIG. 1;  
 FIG. 7 is a bottom view of the claimed design shown in FIG. 1;  
 FIG. 8 is a perspective view another embodiment of the claimed design;  
 FIG. 9 is a front view of the claimed design shown in FIG. 8;  
 FIG. 10 is a rear view of the claimed design shown in FIG. 8;  
 FIG. 11 is a side view of the claimed design shown in FIG. 8;  
 FIG. 12 is another side view of the claimed design shown in FIG. 8;  
 FIG. 13 is a top view of the claimed design shown in FIG. 8;  
 and,  
 FIG. 14 is a bottom view of the claimed design shown in FIG. 8.

The ornamental design which is claimed is shown in solid lines in the drawings. The broken lines in the drawings are for illustrative purposes only and form no part of the claimed design.

**1 Claim, 14 Drawing Sheets**





**FIG. 1**

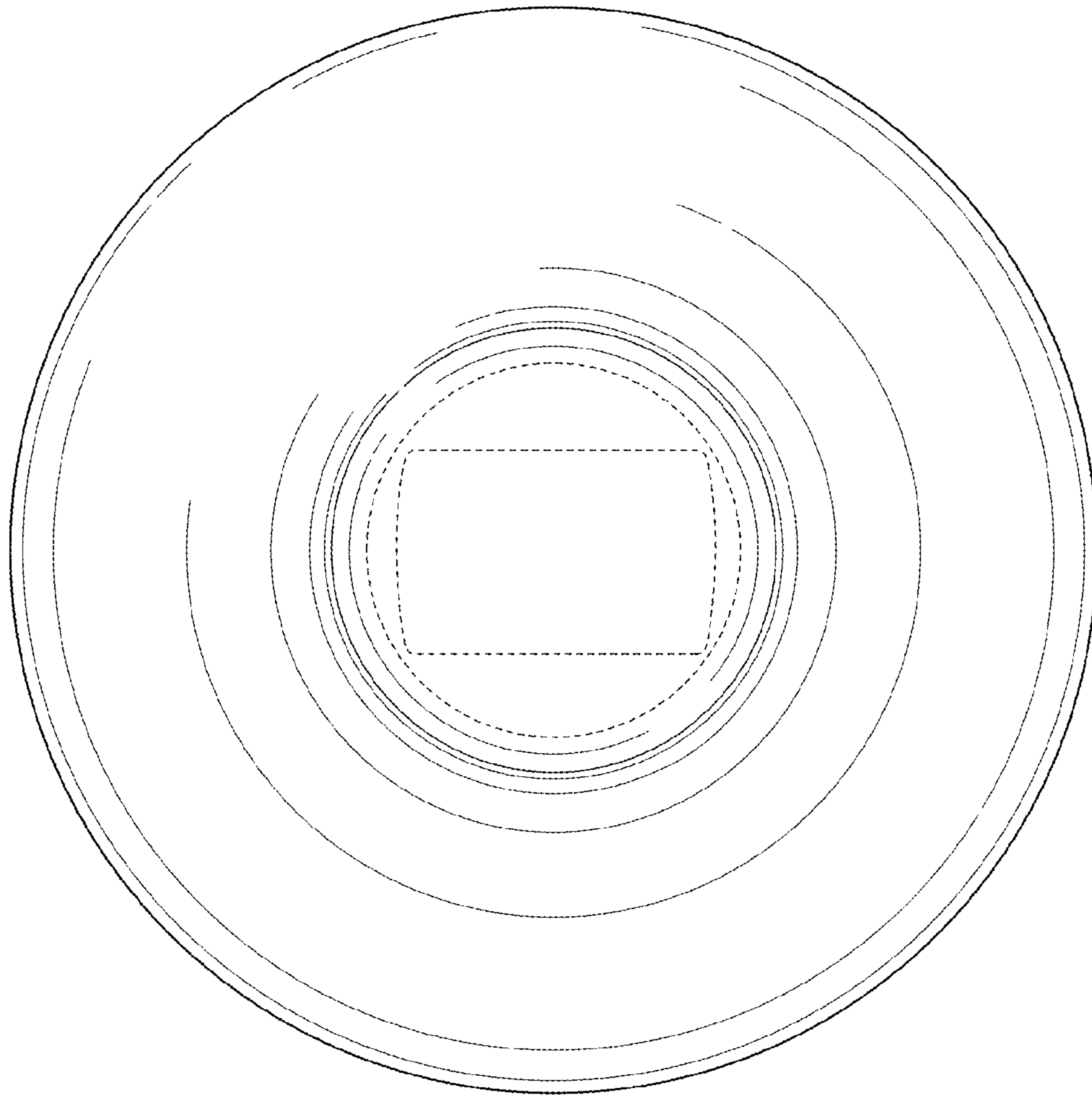
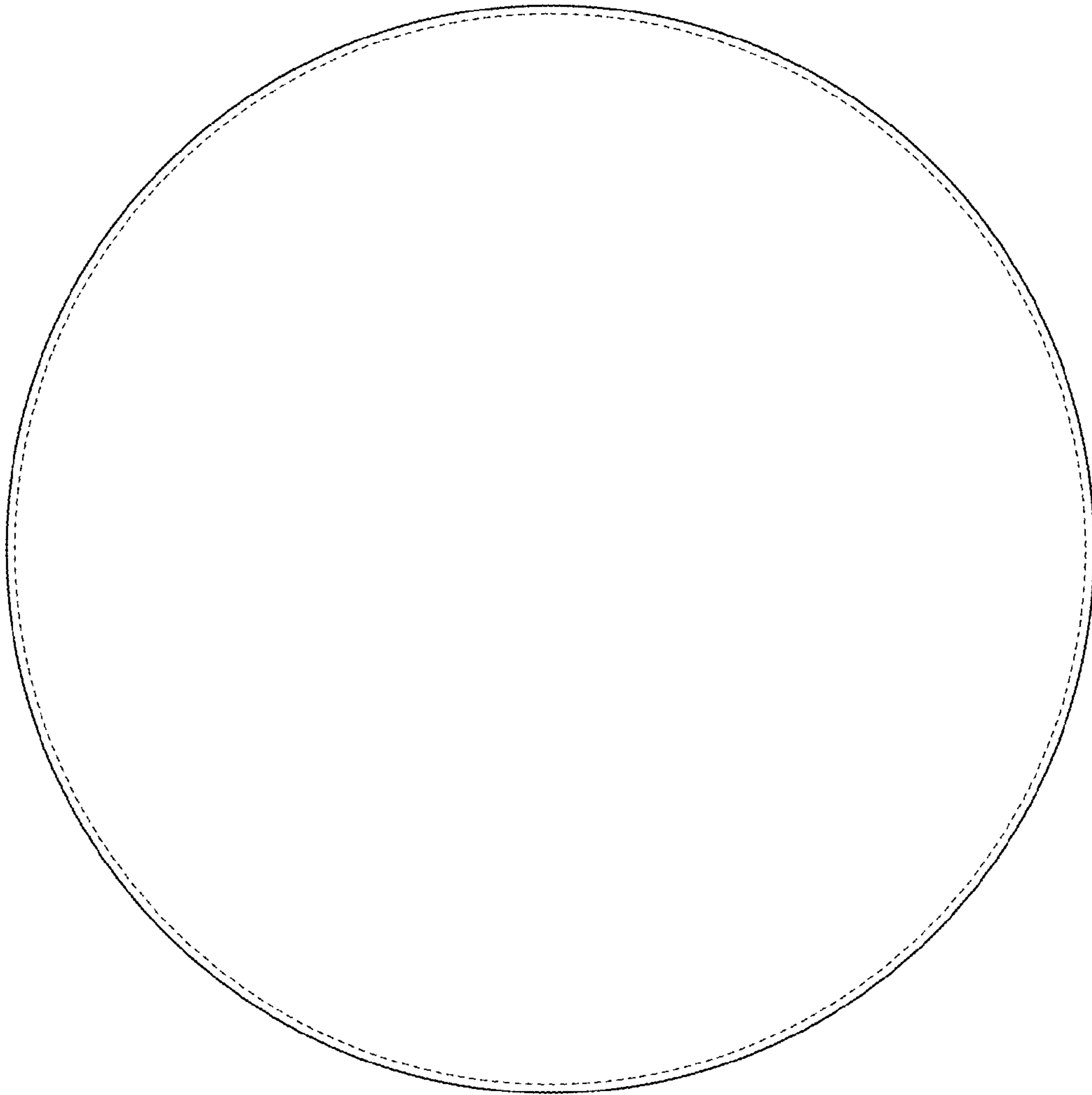


FIG. 2



**FIG. 3**

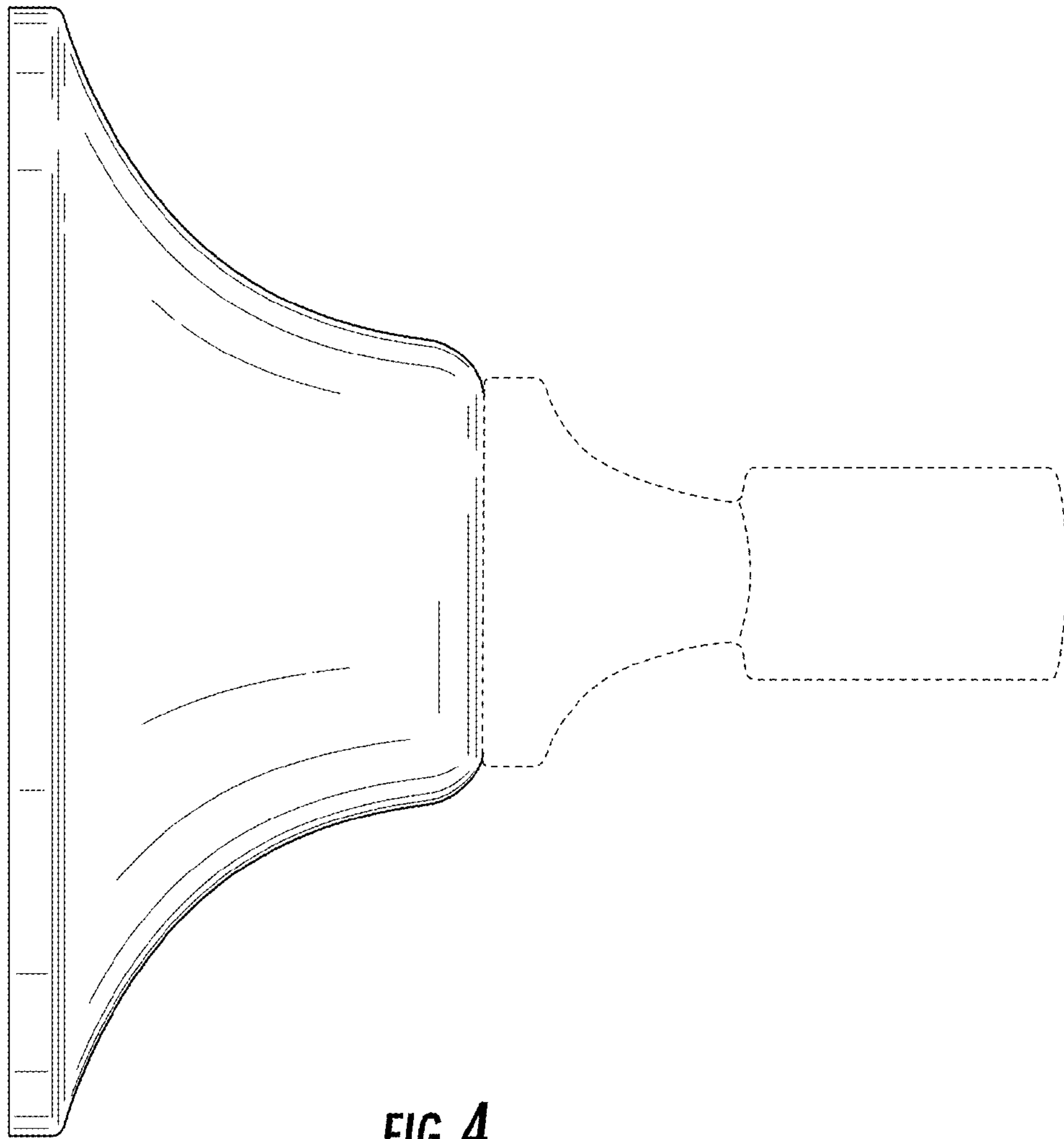


FIG. 4

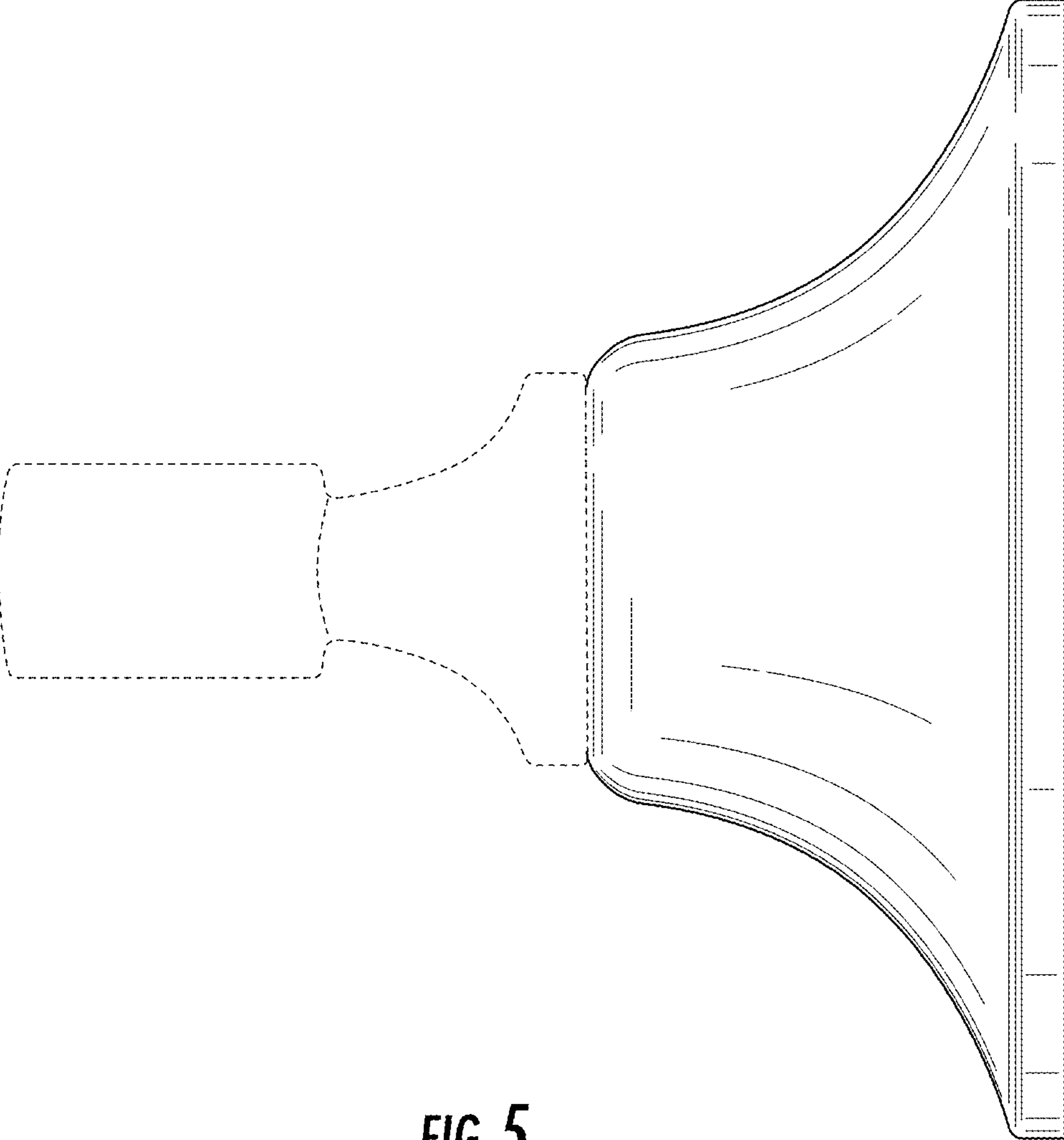
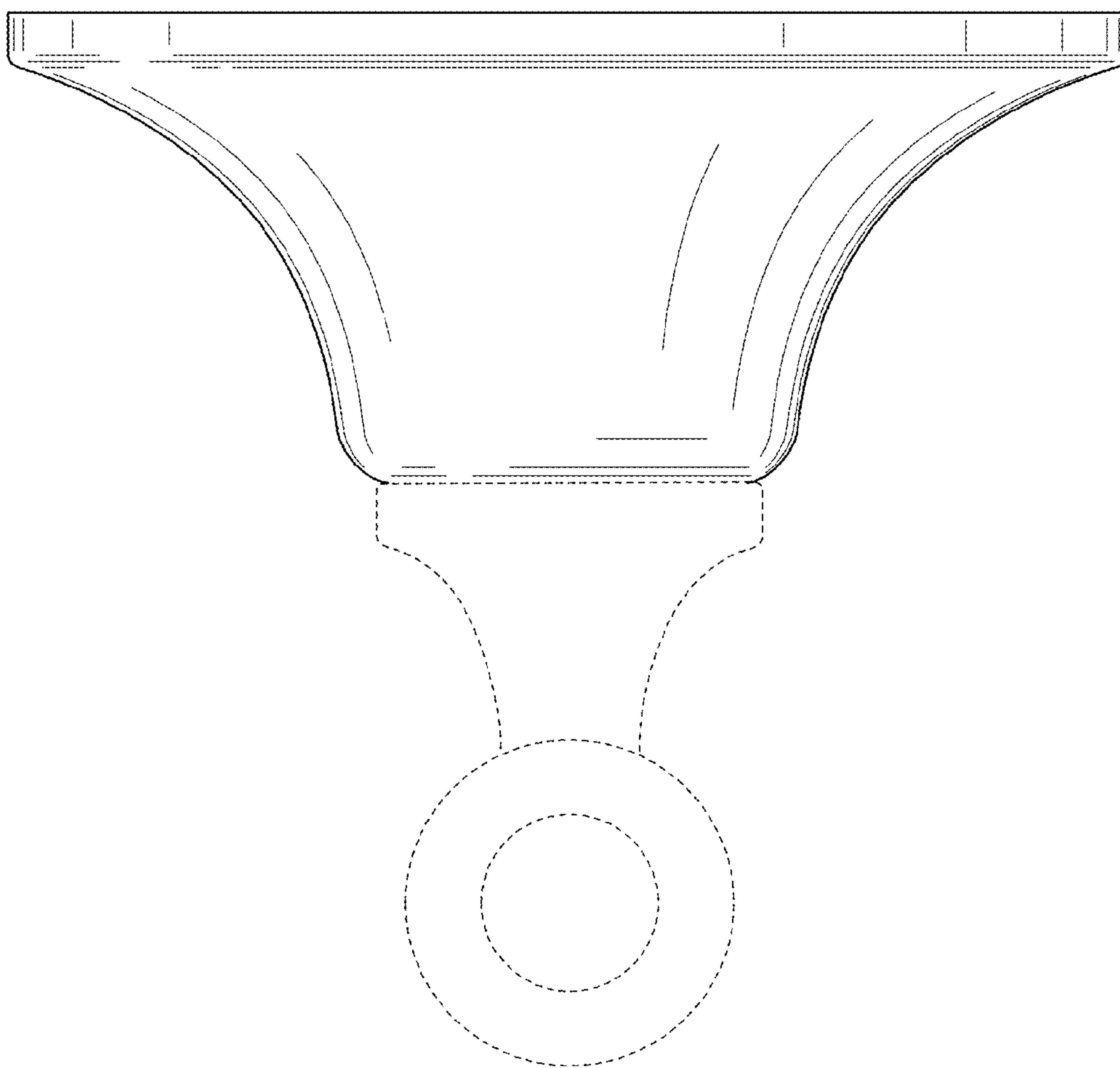
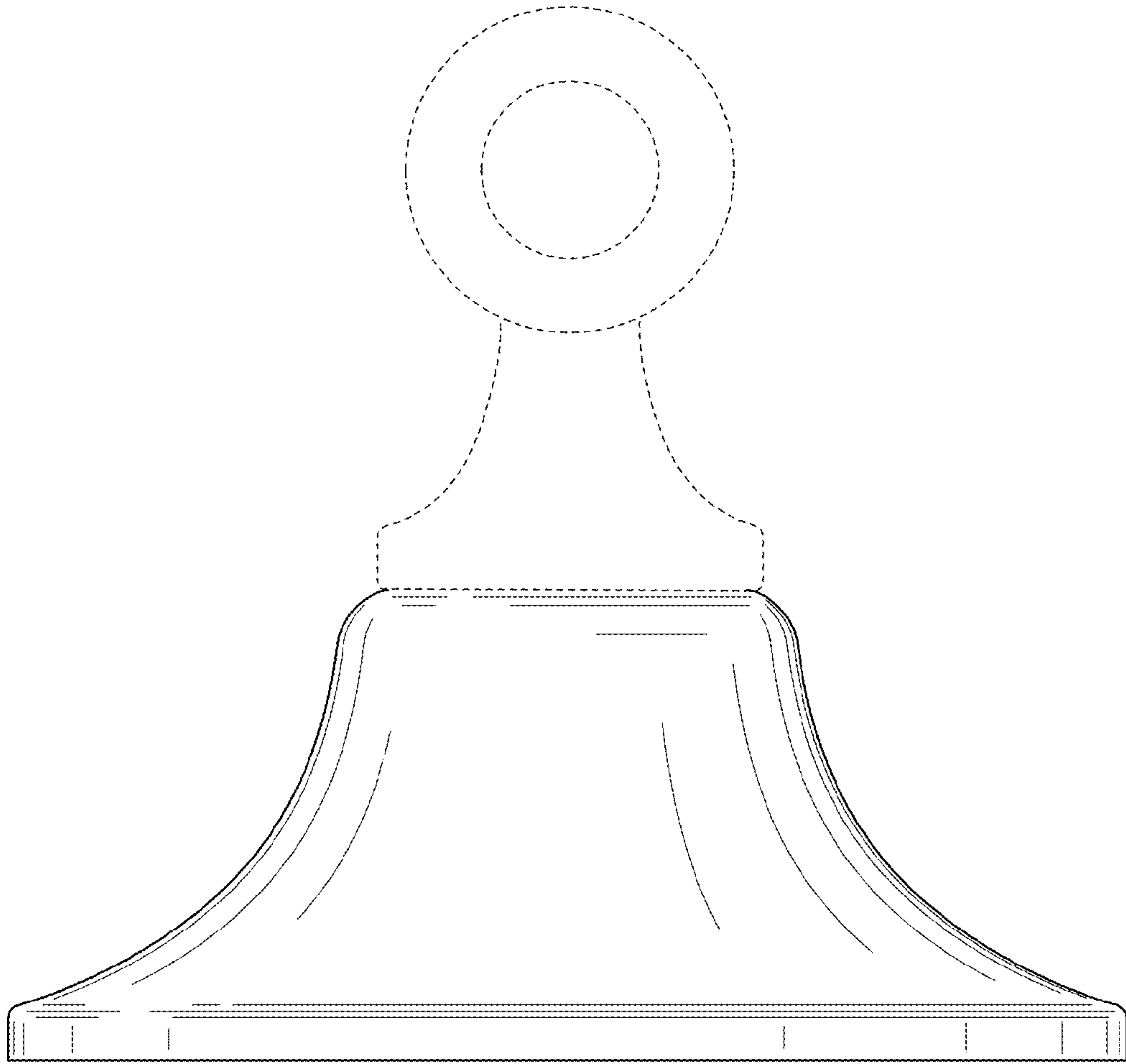


FIG. 5



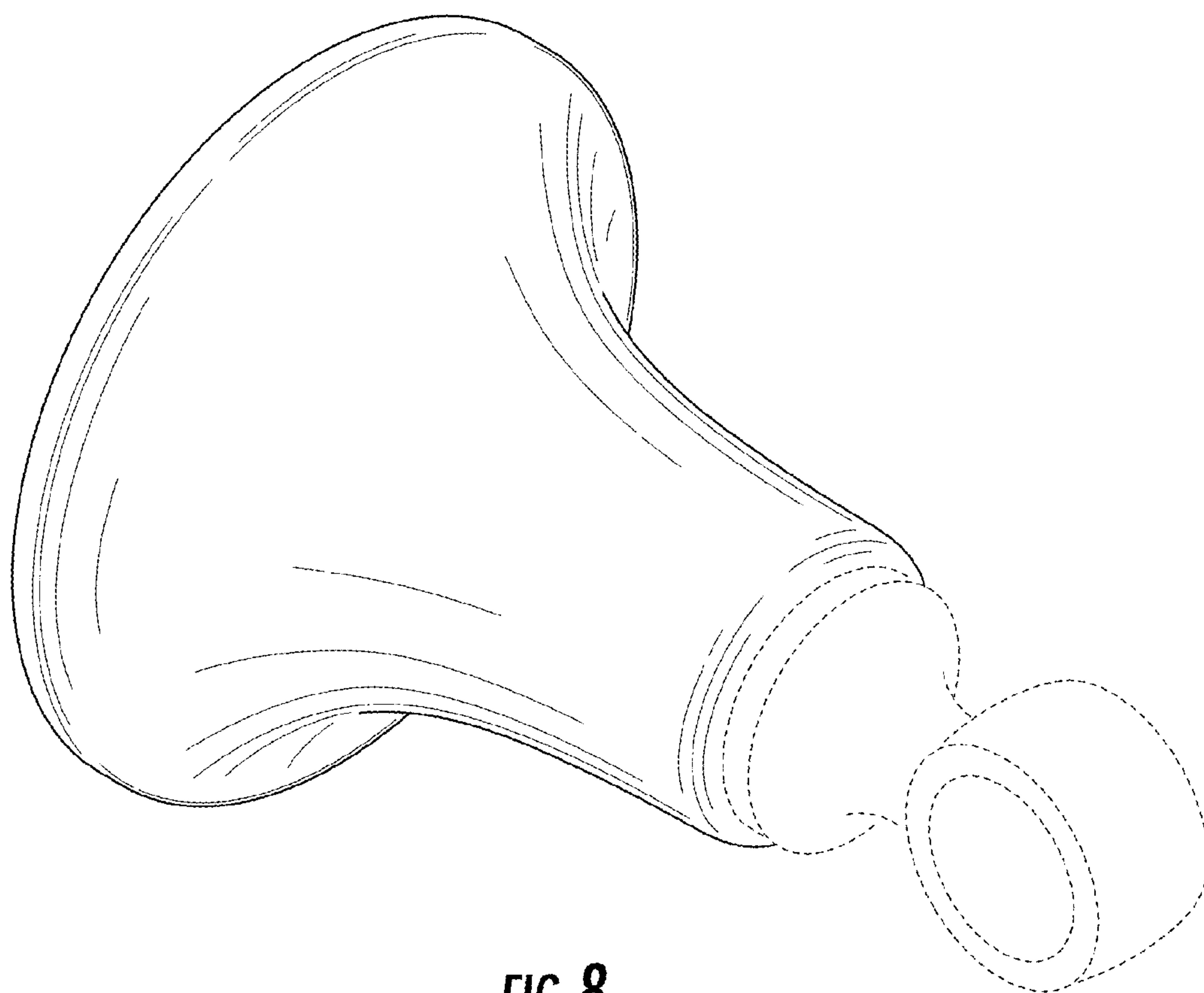
**FIG. 6**



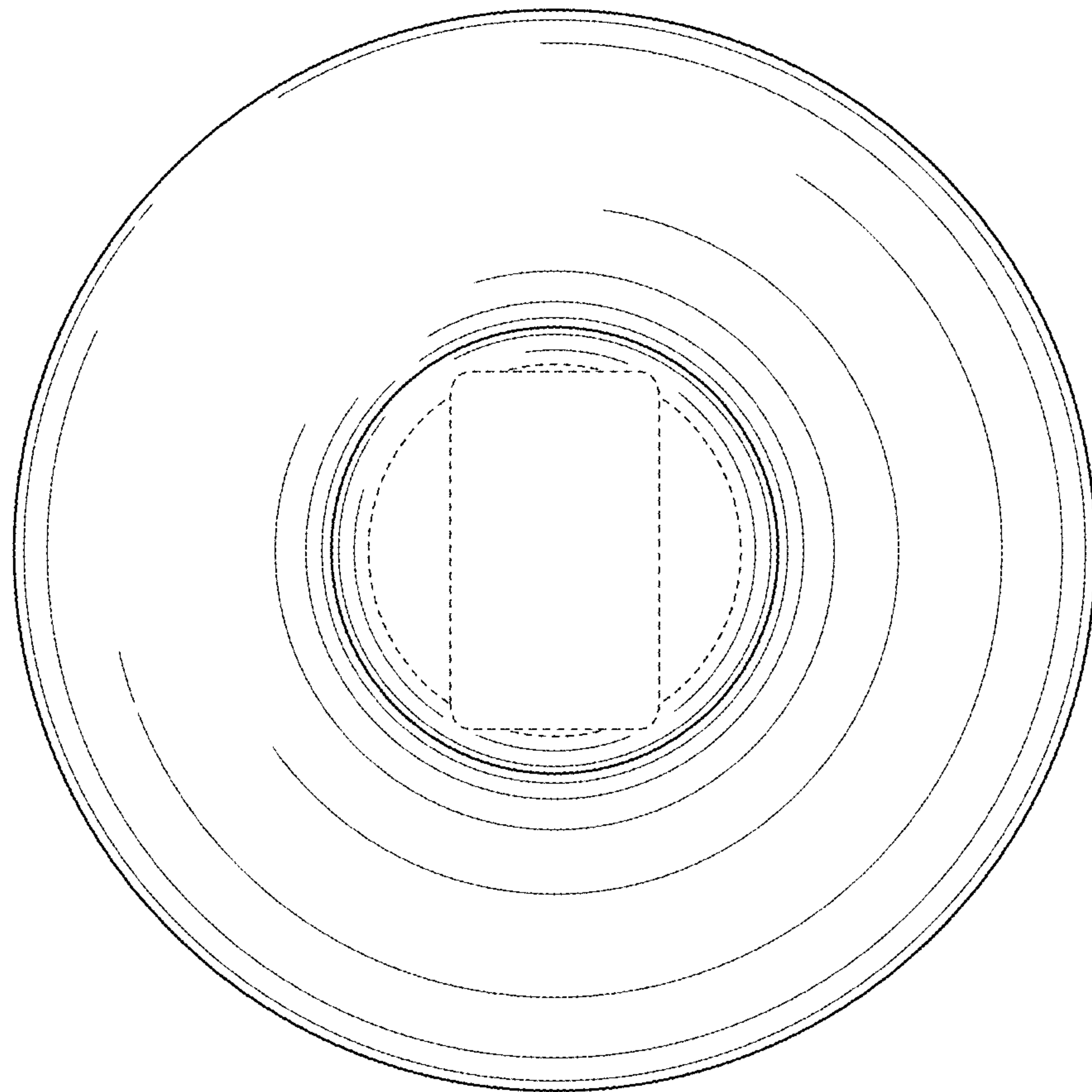


**FIG. 7**

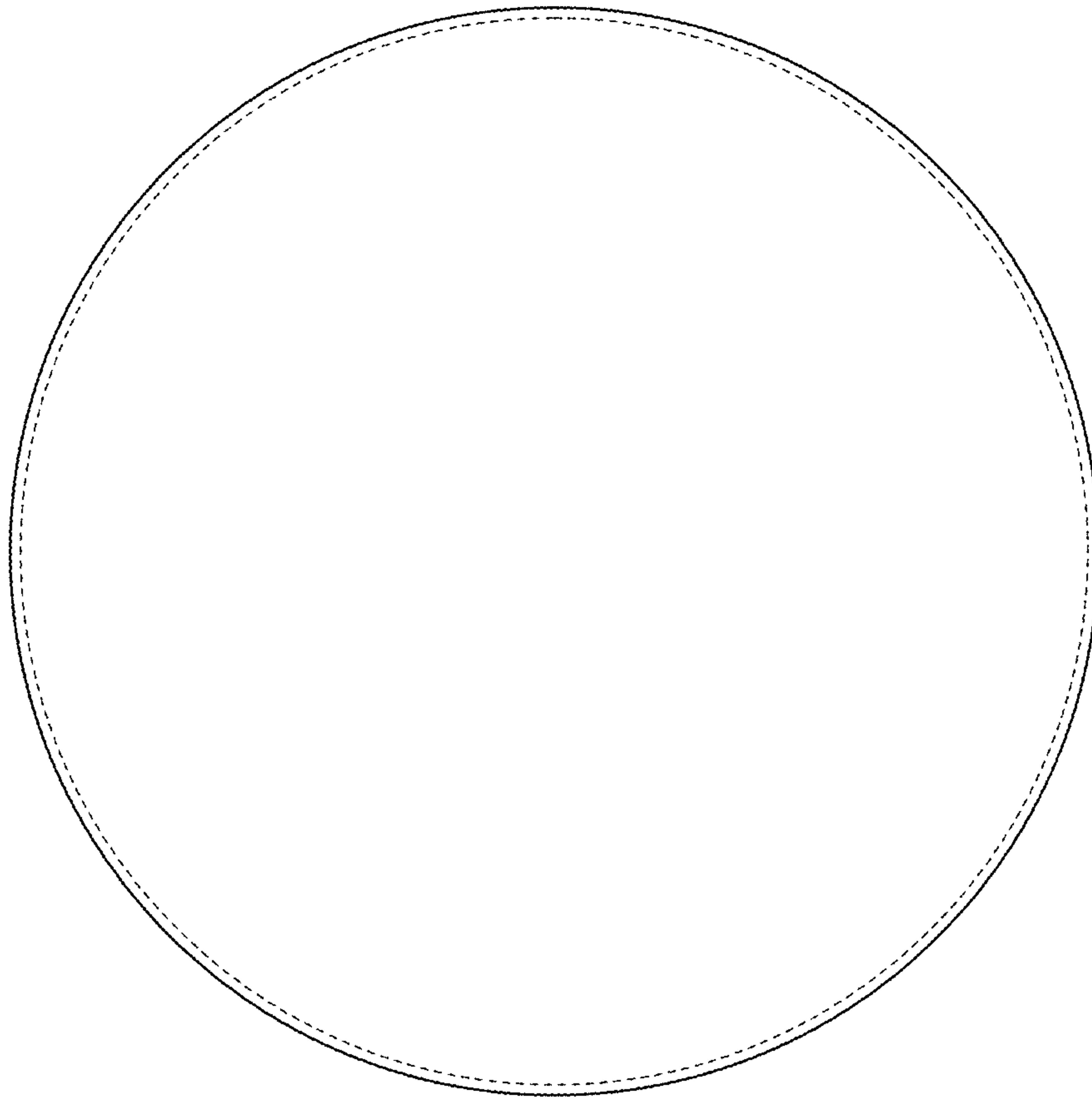




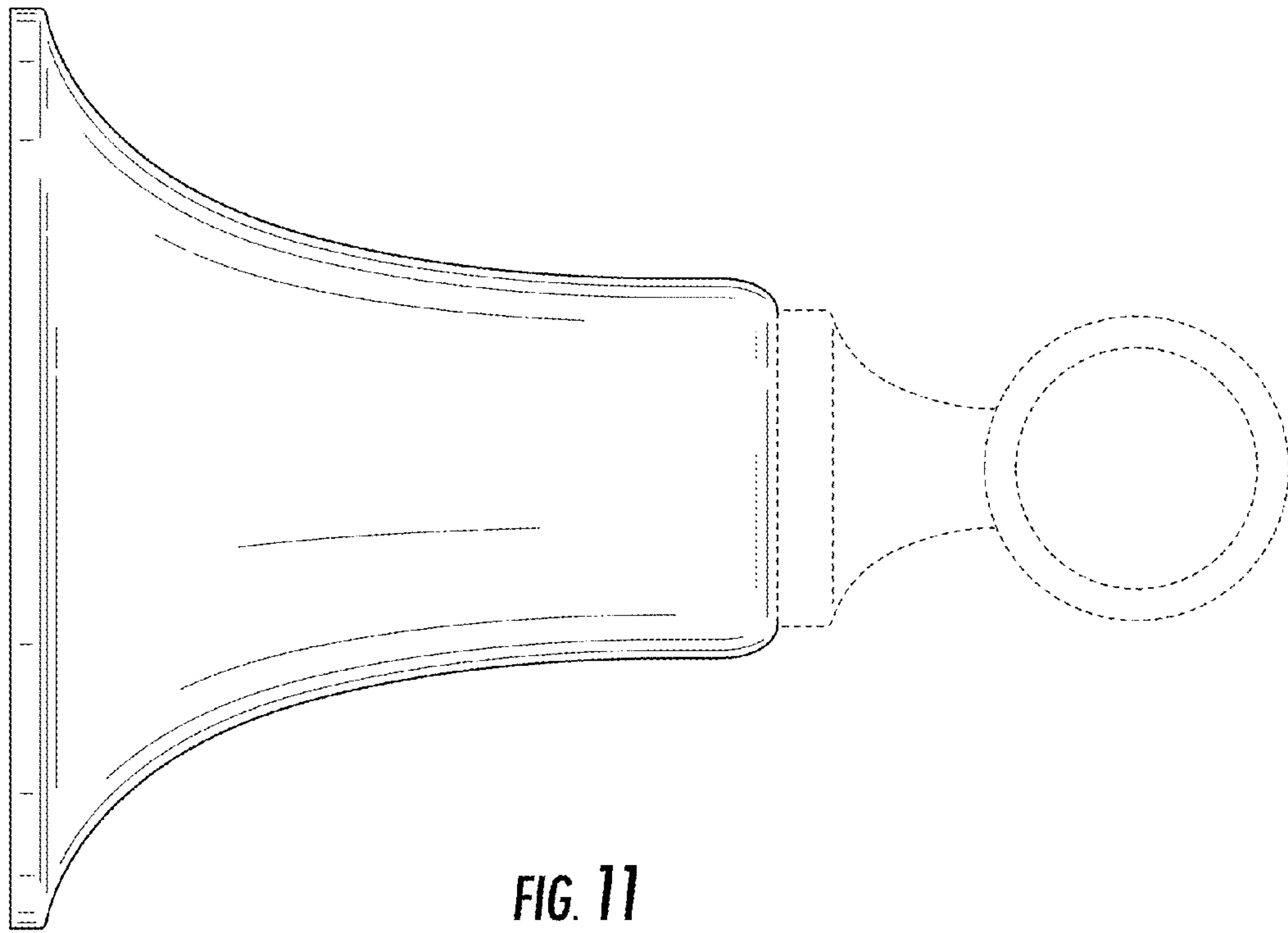
**FIG. 8**

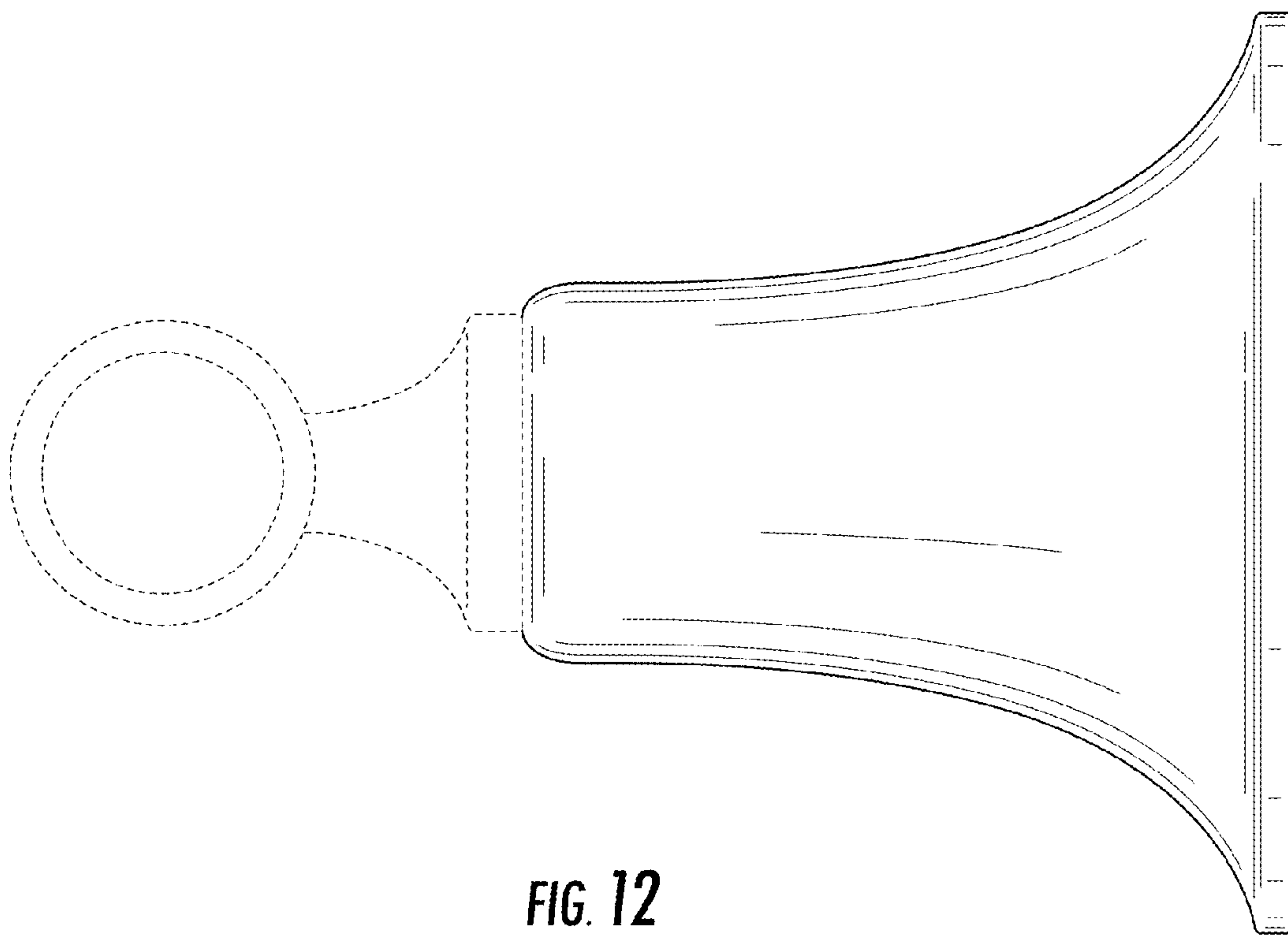


**FIG. 9**

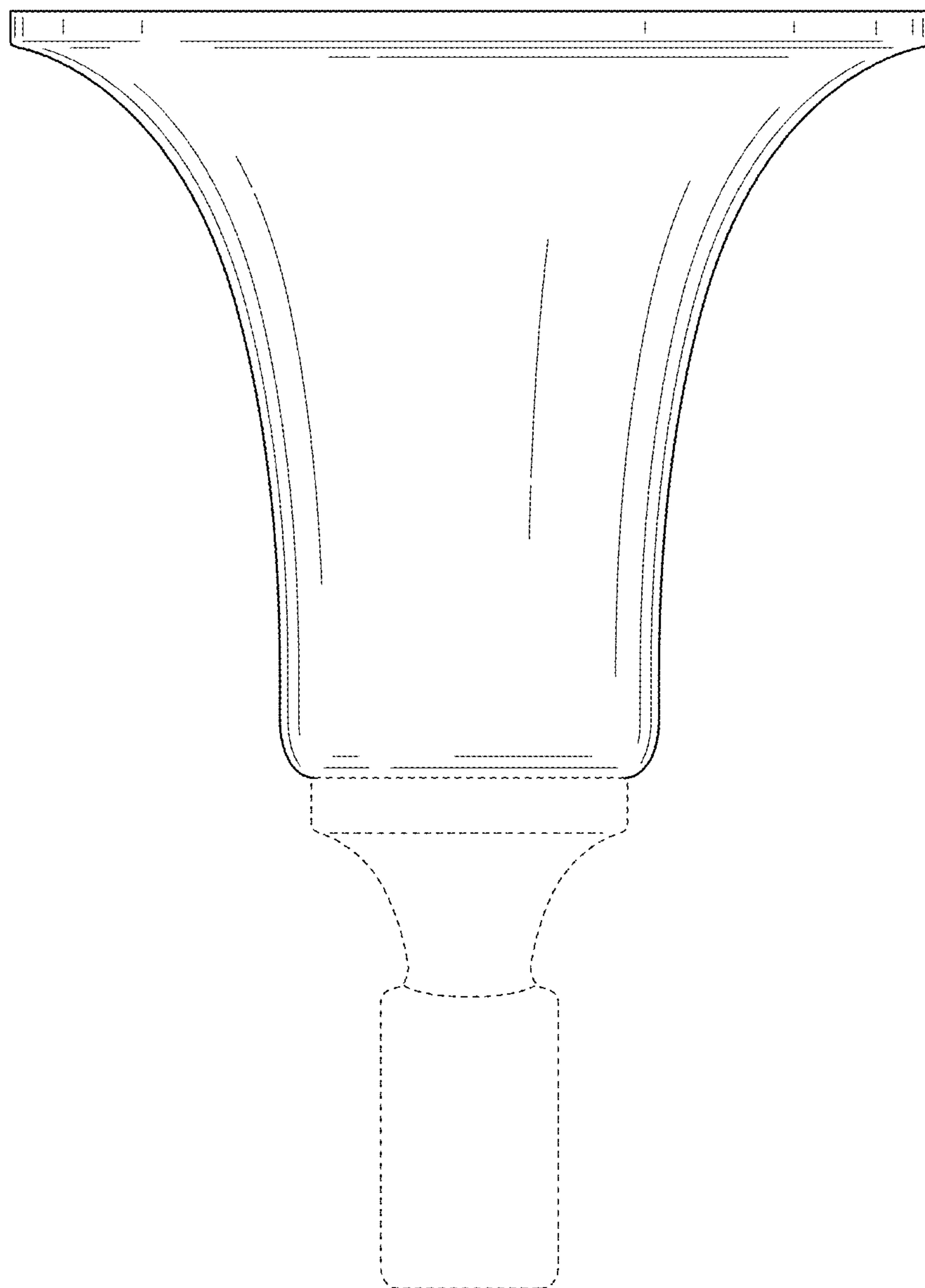


***FIG. 10***

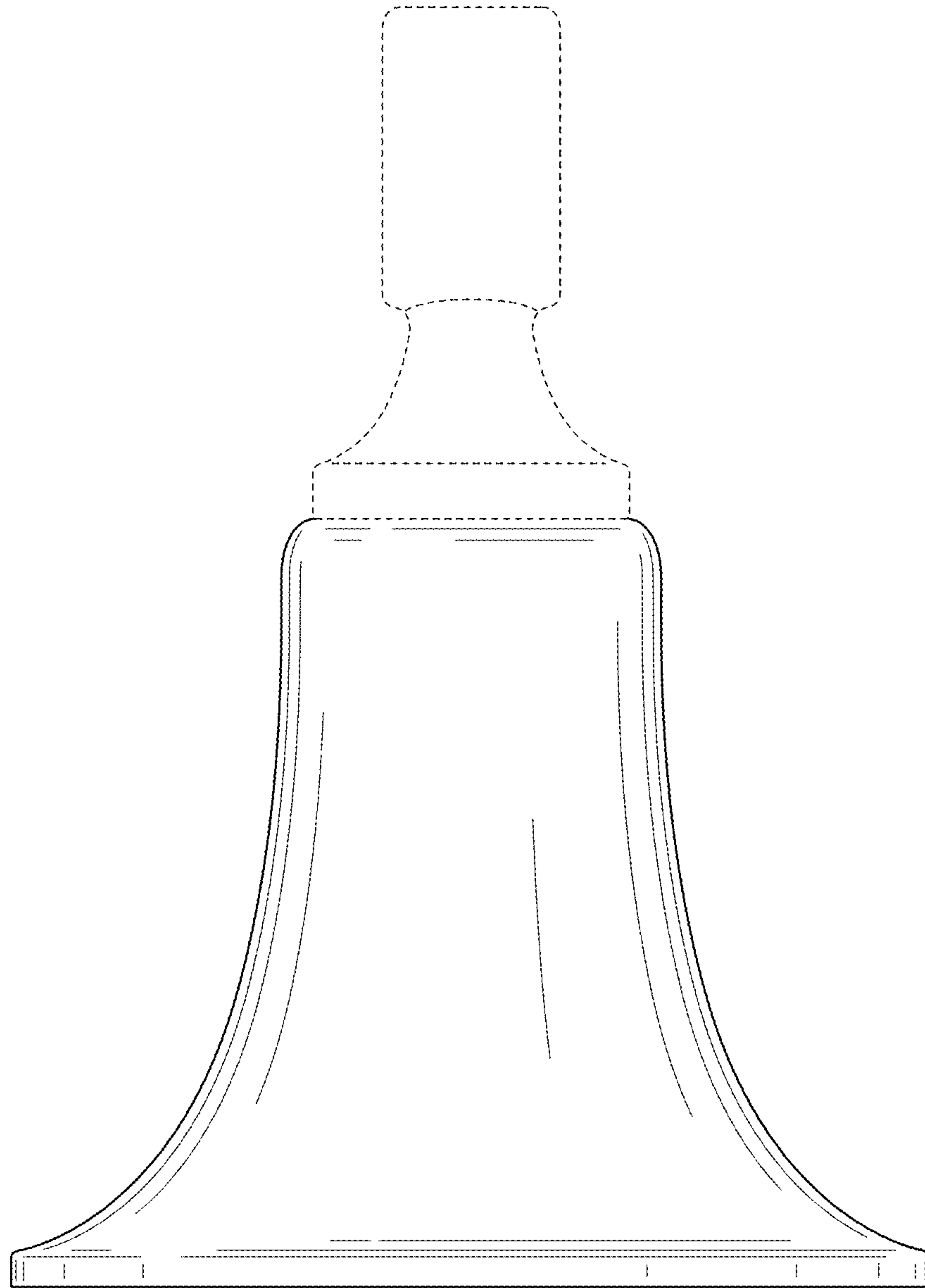




**FIG. 12**



**FIG. 13**



**FIG. 14**