

US00D732842S

(12) **United States Design Patent**
Bormann et al.

(10) **Patent No.:** **US D732,842 S**
(45) **Date of Patent:** **** Jun. 30, 2015**

(54) **HIGH CHAIR**

(71) Applicants: **Matthias Bormann**, Frankfurt am Main (DE); **Petra Bormann**, Frankfurt am Main (DE)

(72) Inventors: **Matthias Bormann**, Frankfurt am Main (DE); **Petra Bormann**, Frankfurt am Main (DE)

(**) Term: **14 Years**

(21) Appl. No.: **29/455,933**

(22) Filed: **May 28, 2013**

(30) **Foreign Application Priority Data**

Nov. 29, 2012 (EM) 002144519-0001

(51) **LOC (10) Cl.** **06-01**

(52) **U.S. Cl.**
USPC **D6/339**

(58) **Field of Classification Search**
USPC D6/334-336, 338-339, 491, 333, 716, D6/716.1-716.7; D12/129; D21/412, 419; 280/30-31; 5/94, 98.1, 99.1, 101, 105, 5/655; 297/183.1-183.4, 184.13, 184.15, 297/184.17, 250.1, 256.1, 255, 256.15, 297/256.16, 174 R, 174 CS, 170-173, 136, 297/148, 27, 61, 68; 4/572.1

See application file for complete search history.

(56) **References Cited**

U.S. PATENT DOCUMENTS

D248,516 S *	7/1978	Johansson	D6/335
D357,128 S *	4/1995	Watson et al.	D6/335
D362,554 S *	9/1995	Grundner	D6/339
D365,449 S *	12/1995	Wood	D6/333
D409,007 S *	5/1999	Osterweil-Glaz et al.	D6/335
D441,553 S *	5/2001	Ware, Sr.	D6/335
D626,346 S *	11/2010	Martinez	D6/339
D647,711 S *	11/2011	Grlj et al.	D6/345

* cited by examiner

Primary Examiner — Caron D Veynar

Assistant Examiner — Abraham Bahta

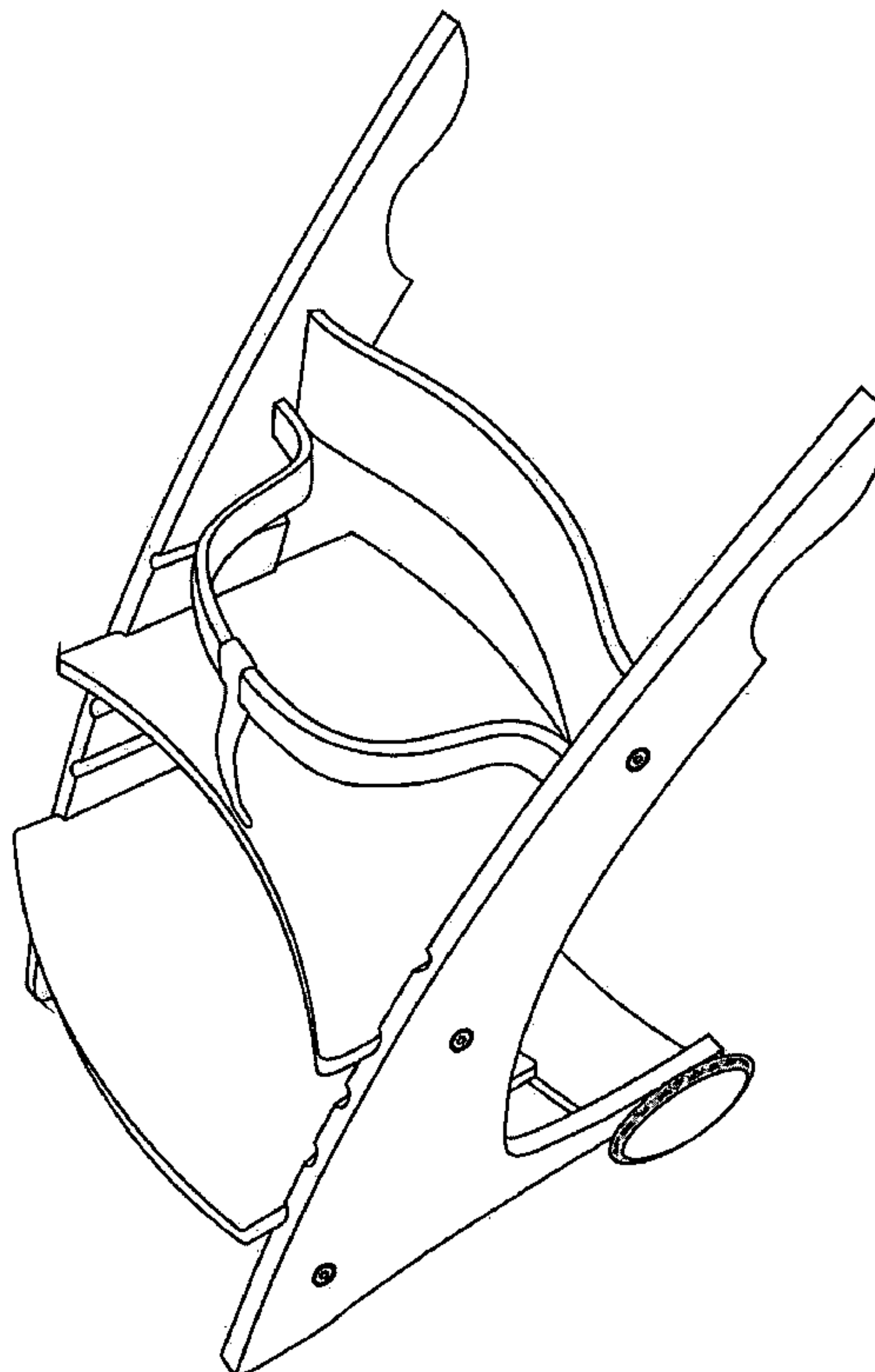
(57) **CLAIM**

The ornamental design for a high chair, as shown and described.

DESCRIPTION

FIG. 1 is a front, left side perspective view of the high chair showing our new design;
FIG. 2 is a rear, right side perspective view thereof;
FIG. 3 is a front view thereof;
FIG. 4 is a rear view thereof;
FIG. 5 is a left side view thereof;
FIG. 6 is a right view thereof;
FIG. 7 is a top view thereof; and,
FIG. 8 is a bottom view thereof.

1 Claim, 8 Drawing Sheets



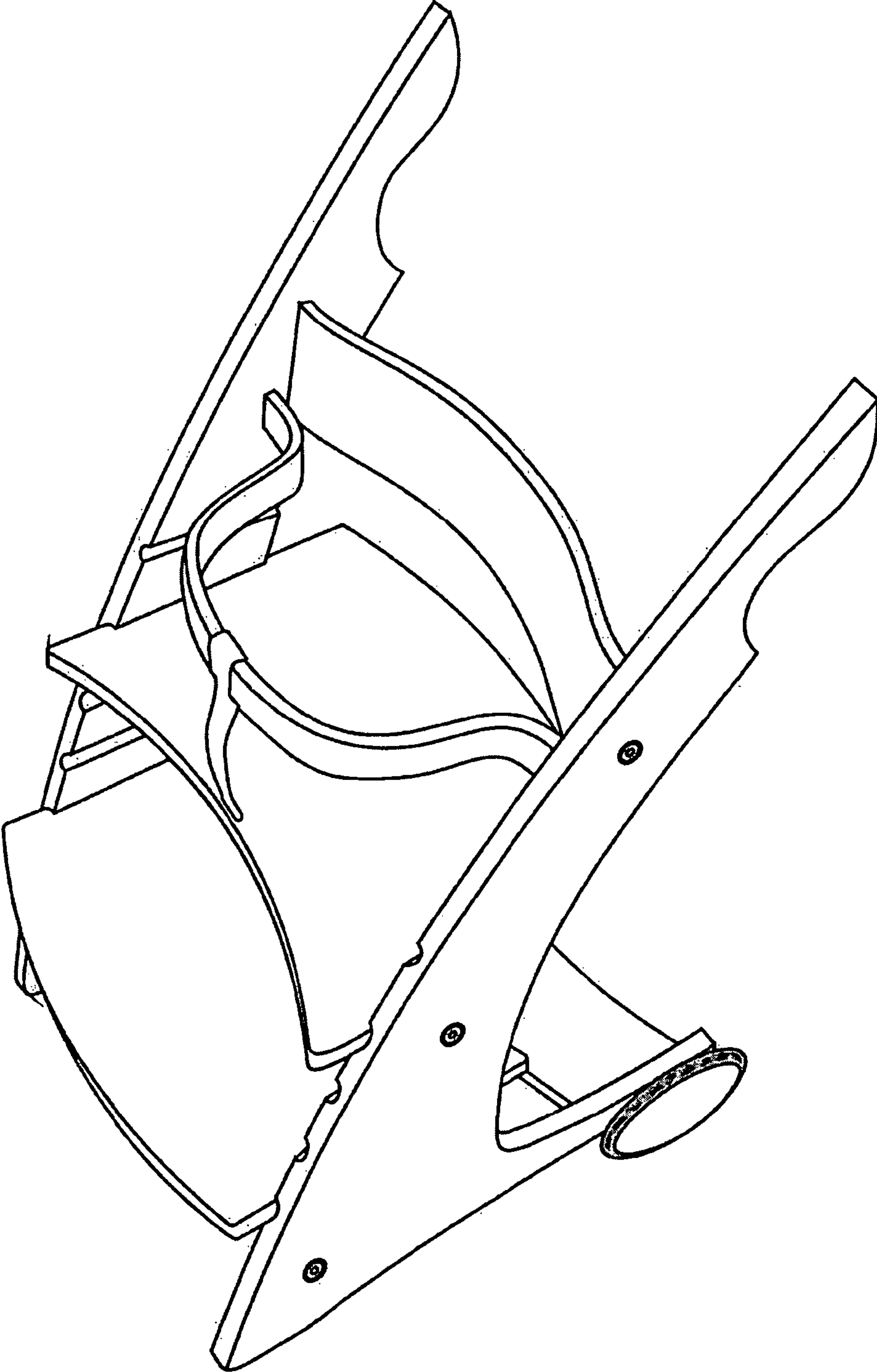


FIG 1

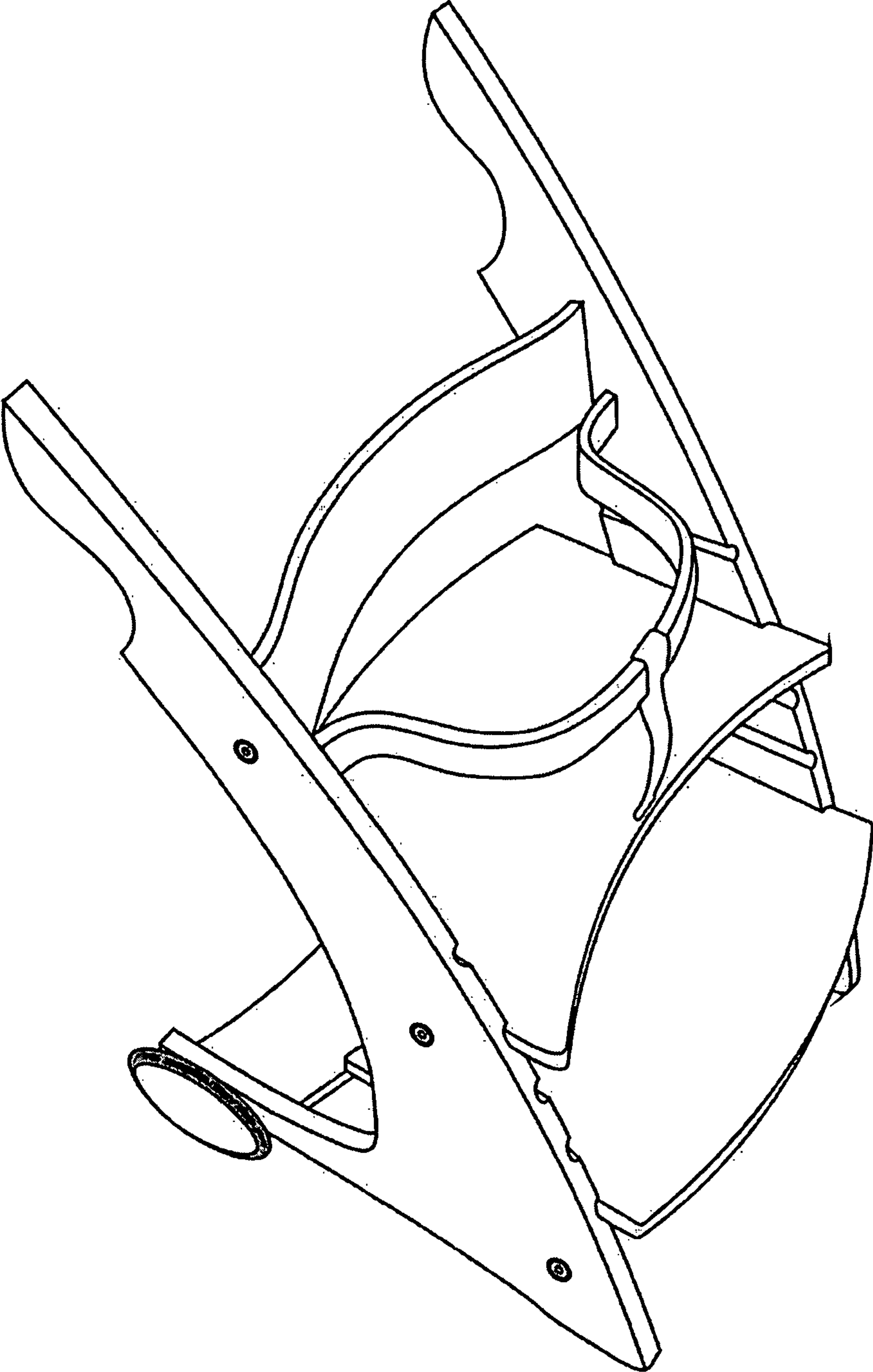


FIG 2

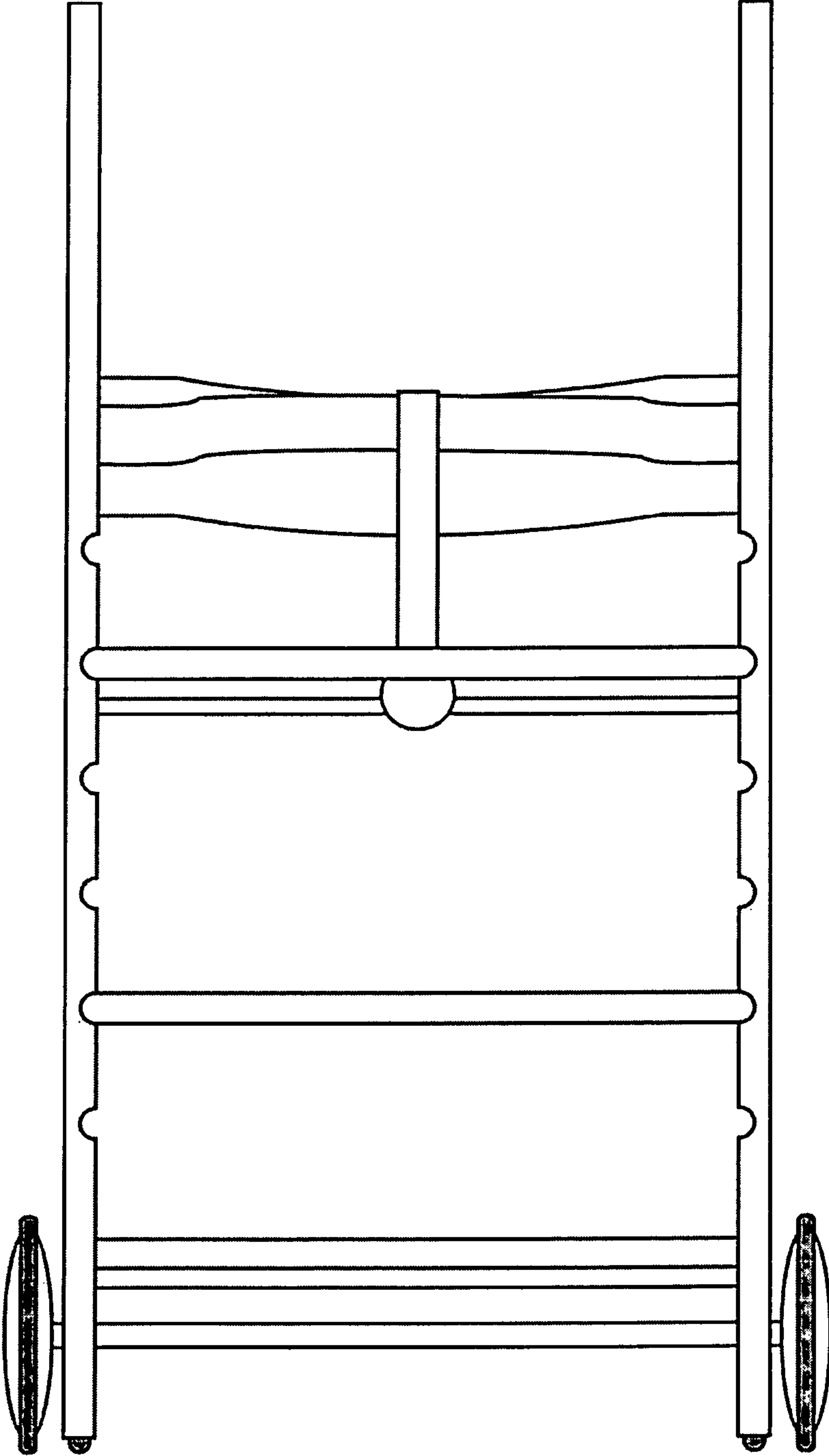


FIG 3

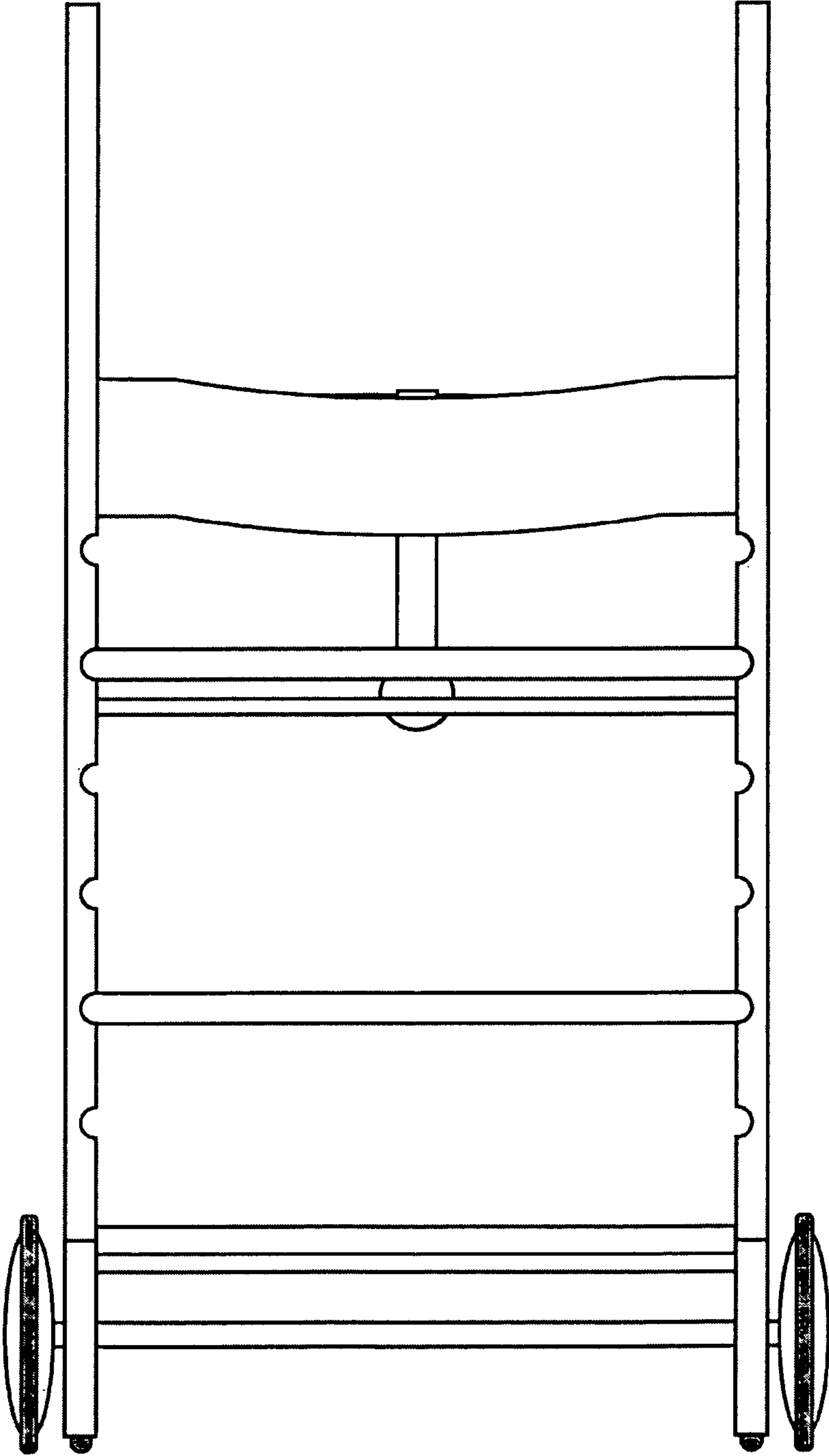


FIG 4

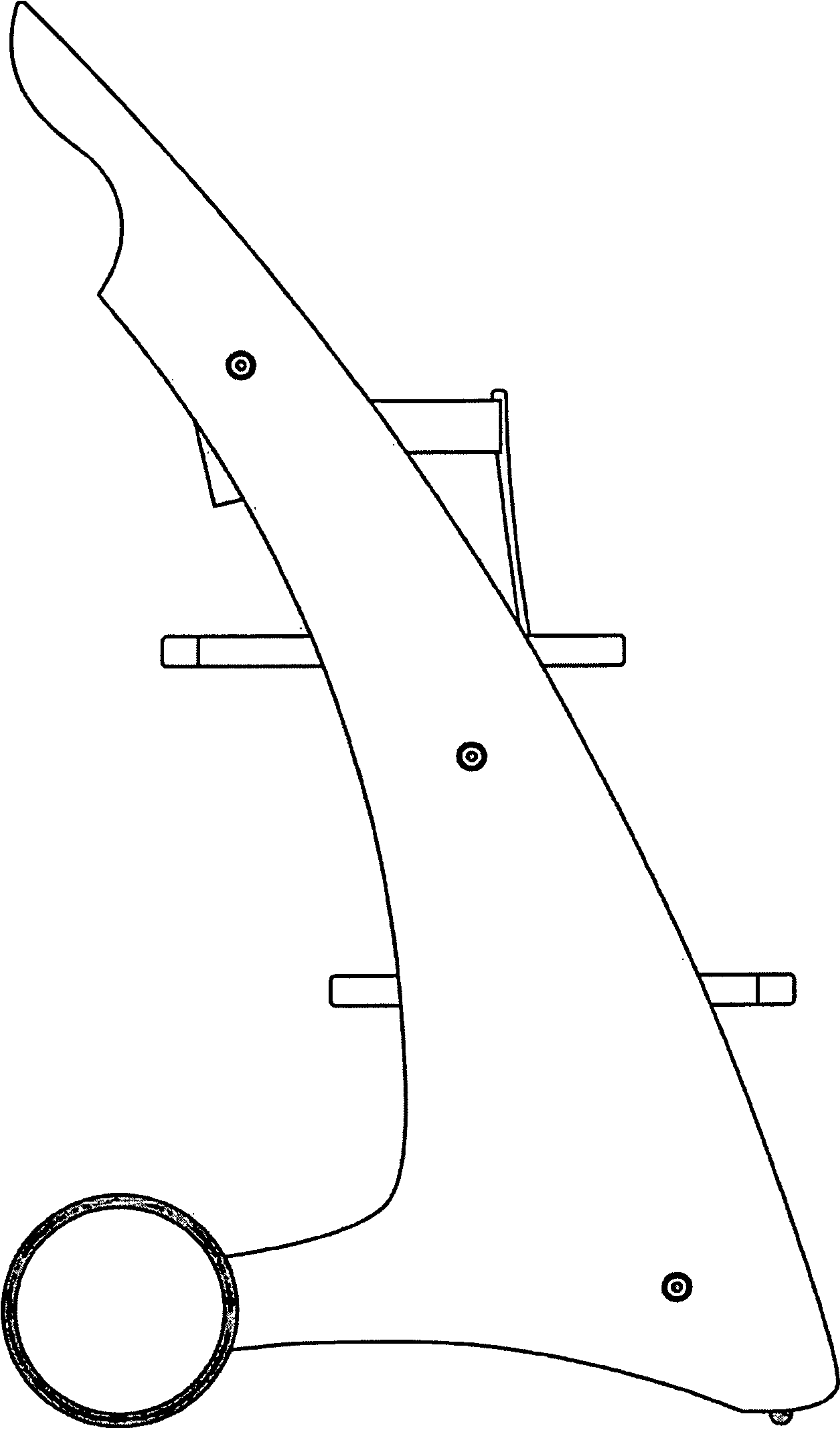


FIG 5

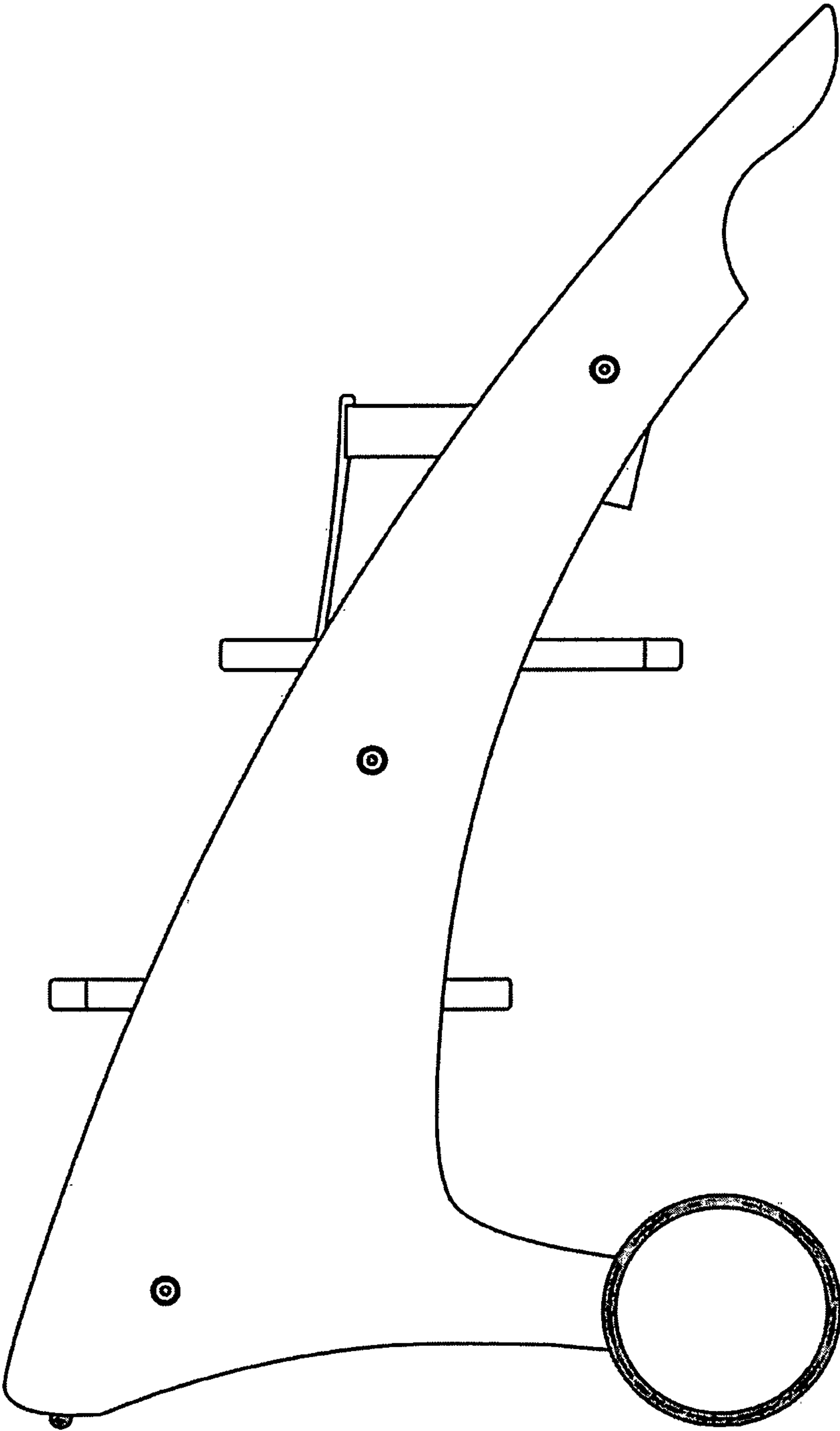


FIG 6

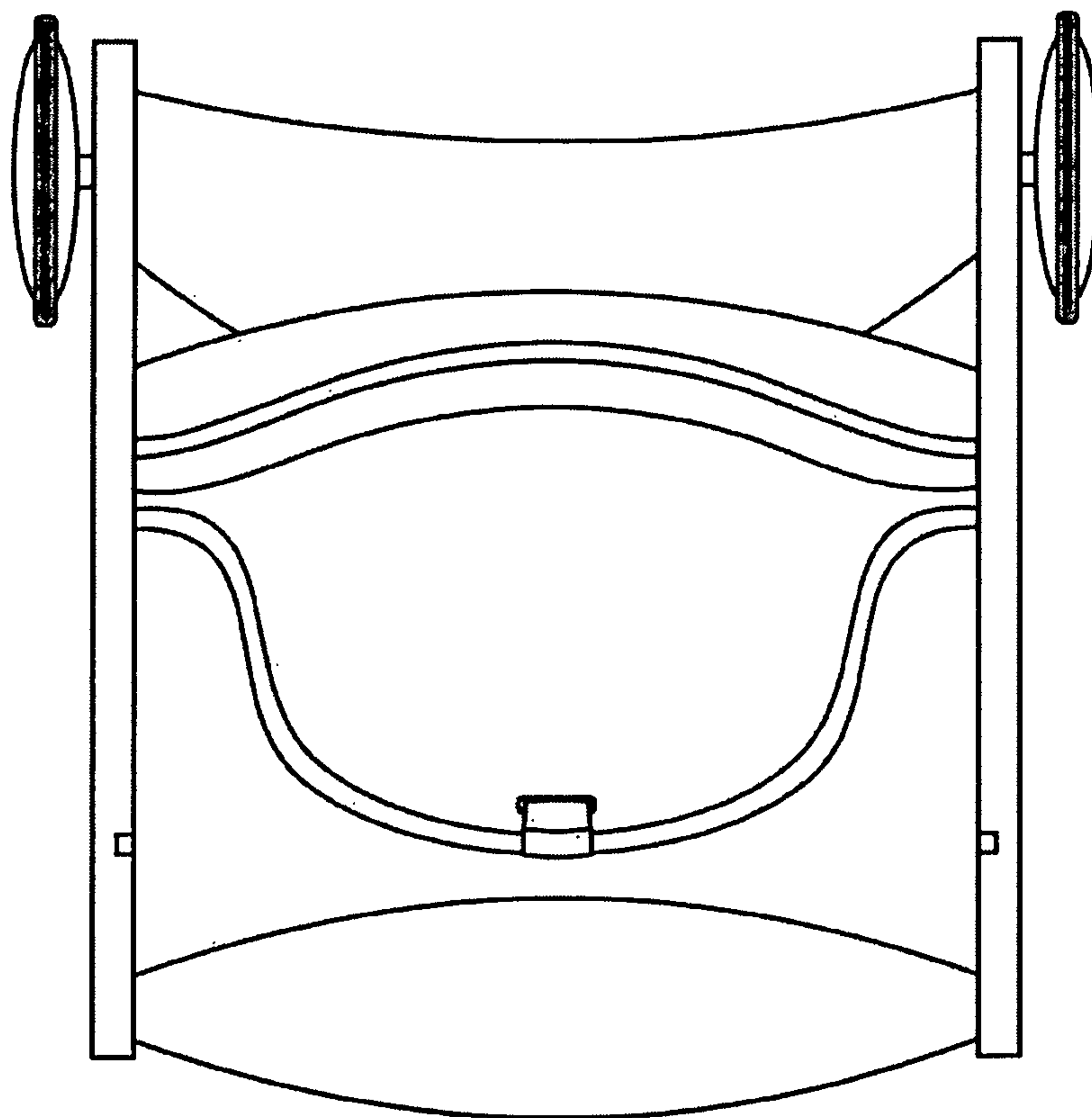


FIG 7

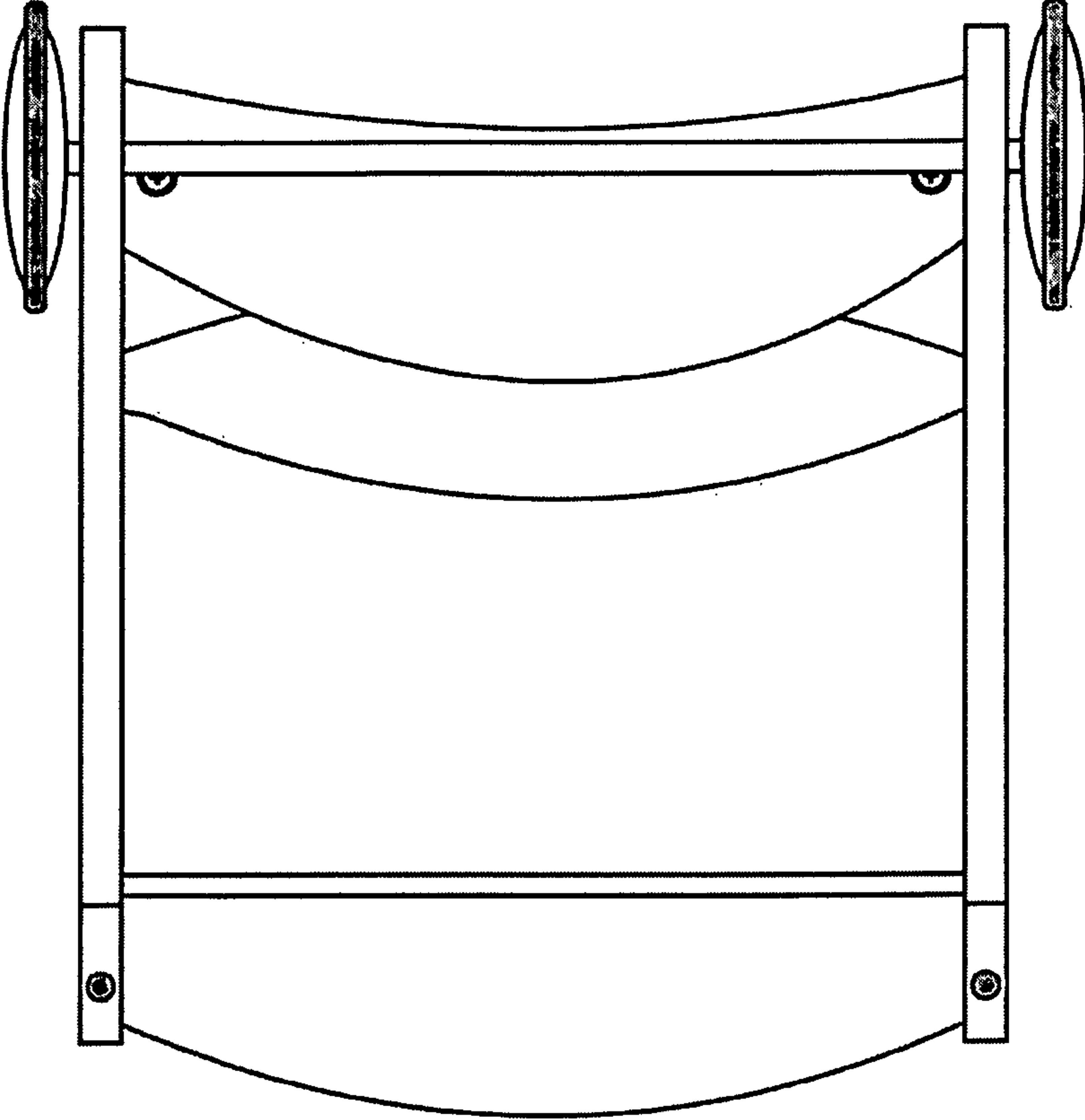


FIG 8