



US00D732828S

(12) **United States Design Patent**
Thompson et al.

(10) **Patent No.:** **US D732,828 S**
(45) **Date of Patent:** **** Jun. 30, 2015**

(54) **CADDY**

(75) Inventors: **Craig D. Thompson**, Inver Grove Heights, MN (US); **Kevin J. Gilboe**, Woodbury, MN (US)

(73) Assignee: **3M INNOVATIVE PROPERTIES COMPANY**, St. Paul, MN (US)

(**) Term: **14 Years**

(21) Appl. No.: **29/422,457**

(22) Filed: **May 21, 2012**

(51) **LOC (10) Cl.** **03-04**

(52) **U.S. Cl.**
USPC **D3/315**

(58) **Field of Classification Search**
USPC D3/20, 200, 201, 203.1, 203.3, 205, D3/206, 273, 276, 304-315; D6/525, 475, D6/476; D19/75, 77, 86, 90, 92, 100; 206/203, 214, 215, 822, 307.1; 229/100, 913, 914, 406; D9/737, 756, D9/415; D7/601, 602, 612, 619.1, 635, D7/637, 509

See application file for complete search history.

(56) **References Cited**

U.S. PATENT DOCUMENTS

D392,842 S *	3/1998	Parpaiola	D7/509
D424,378 S *	5/2000	Bacon et al.	D7/602
D446,684 S *	8/2001	Price	D7/509
D456,211 S *	4/2002	Price	D7/509
D493,035 S *	7/2004	Bergman	D3/304
D553,439 S *	10/2007	Bodum	D7/523
D596,900 S *	7/2009	Kluger	D7/509
D606,365 S *	12/2009	Roth et al.	D7/601

D645,355 S *	9/2011	D'Amato	D9/522
D669,777 S *	10/2012	Brown et al.	D9/424
D673,812 S *	1/2013	Hauser	D7/523

* cited by examiner

Primary Examiner — Ian Simmons

Assistant Examiner — Charles Hanson

(74) *Attorney, Agent, or Firm* — Irina Hass

(57) **CLAIM**

The ornamental design for a caddy, as shown and described.

DESCRIPTION

FIG. 1 is a perspective view showing the new design for a caddy;

FIG. 2 is a front view thereof;

FIG. 3 is a right side view thereof, the left side being a mirror image thereof;

FIG. 4 is a rear view thereof;

FIG. 5 is a bottom view thereof;

FIG. 6 is a top view thereof;

FIG. 7 is a perspective view of another caddy showing the new design;

FIG. 8 is a front view thereof;

FIG. 9 is a right side view thereof, the left side being a mirror image thereof;

FIG. 10 is a rear view thereof;

FIG. 11 is a bottom view thereof; and,

FIG. 12 is a top view thereof.

The claimed design is not limited to specific colors or materials. A first embodiment of the claimed design illustrated in FIG. 1, for example, comprises an opaque material. A second embodiment of the claimed design illustrated in FIG. 7 comprises a transparent or translucent material as indicated by oblique line shading.

1 Claim, 4 Drawing Sheets

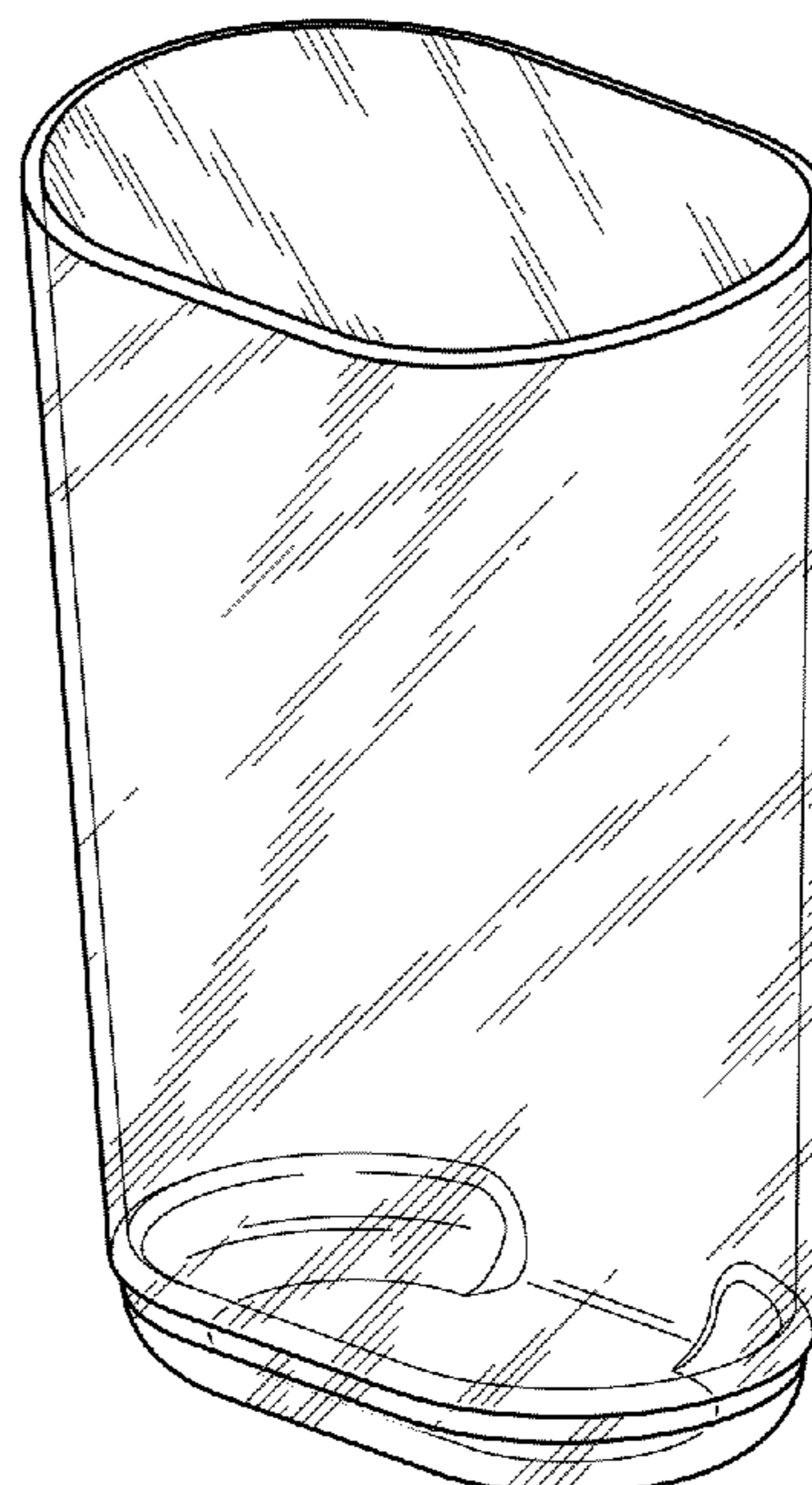
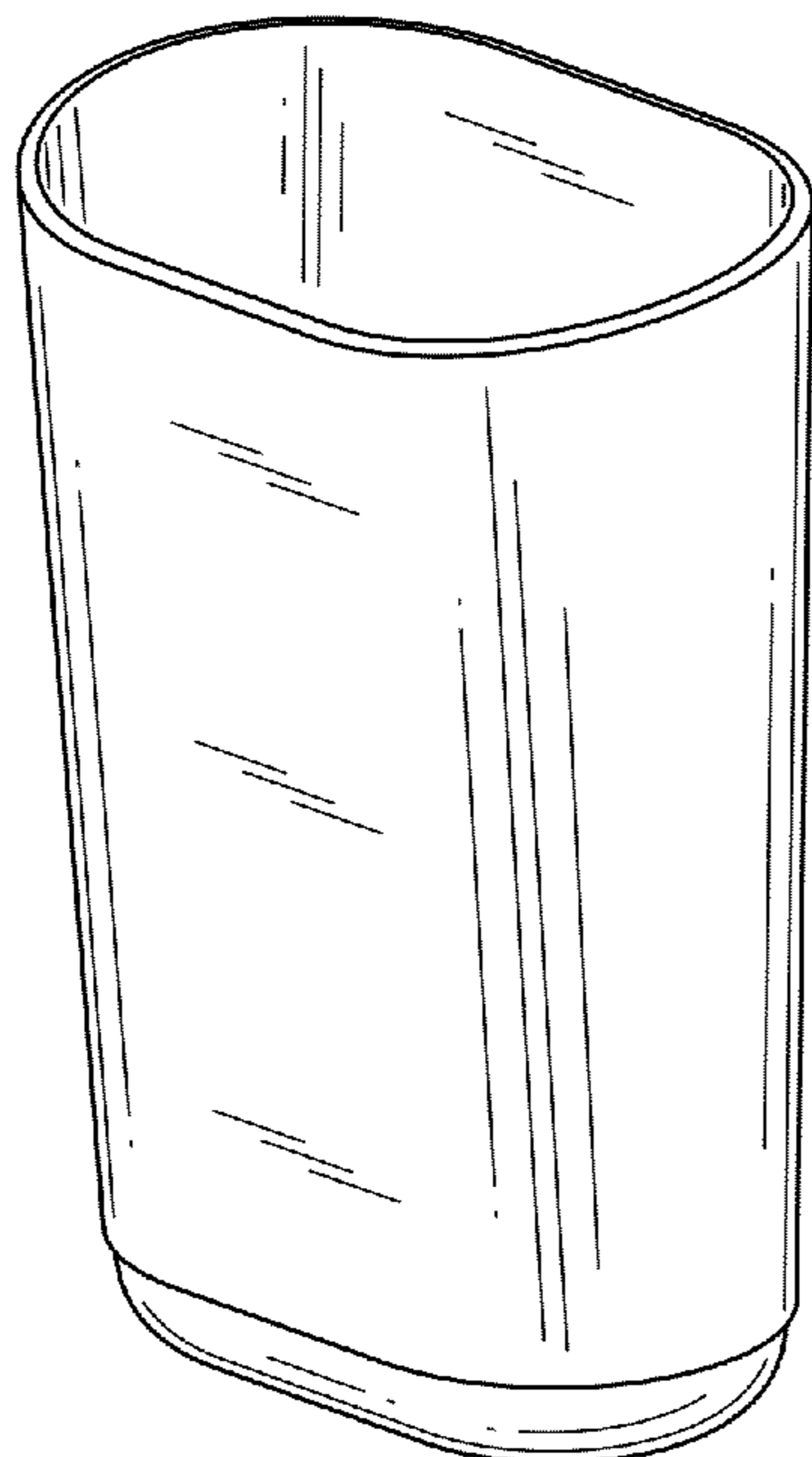




FIG. 1

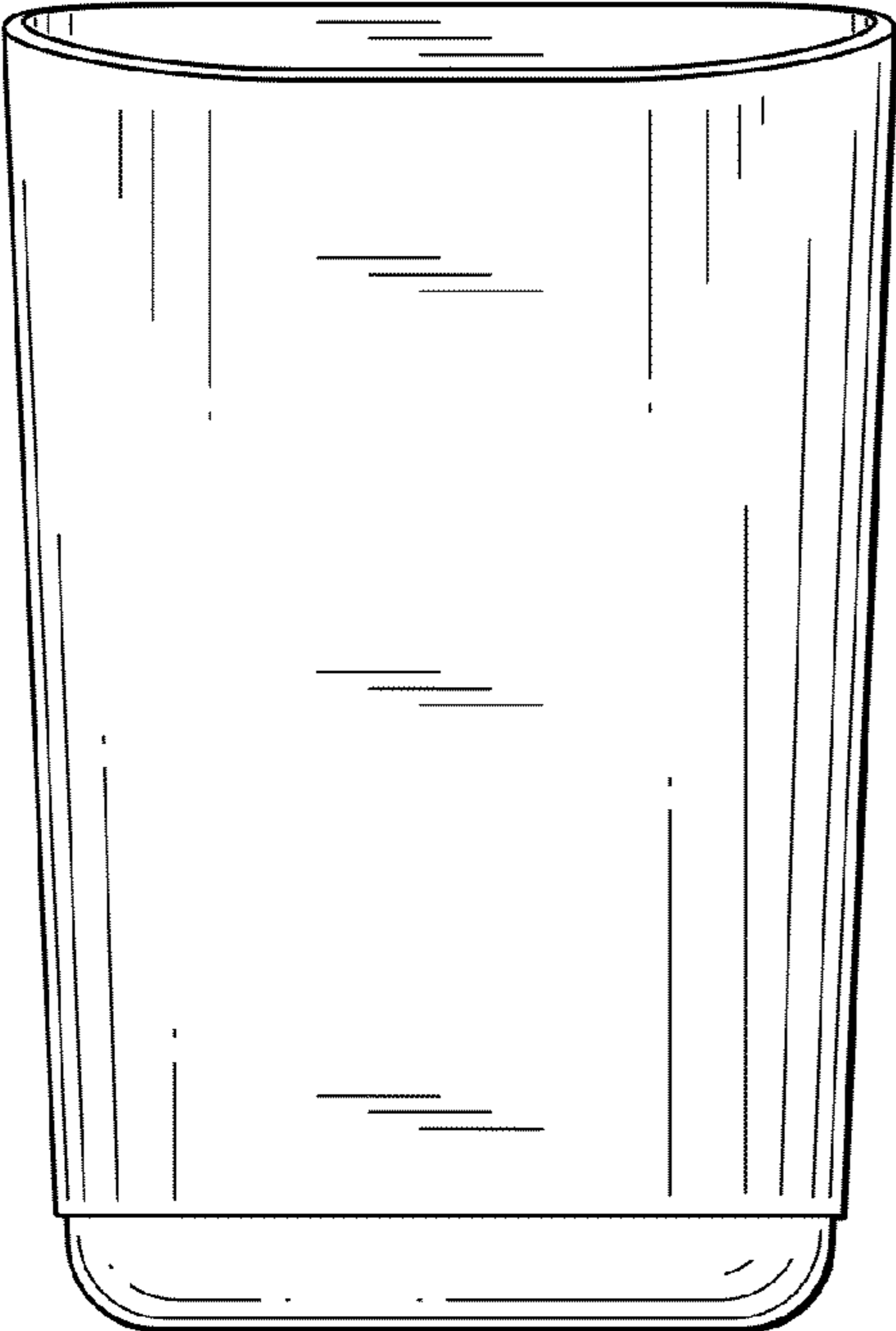


FIG. 2

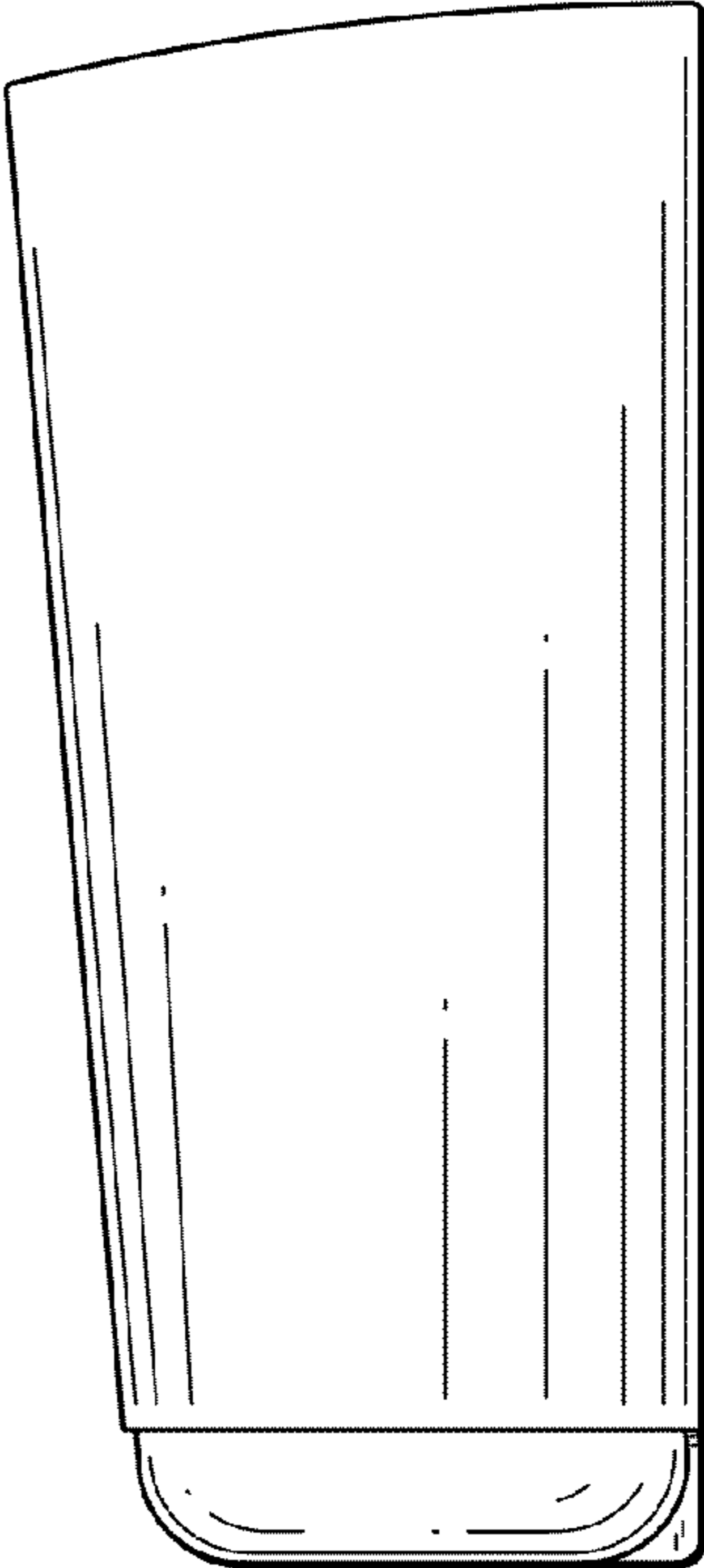


FIG. 3

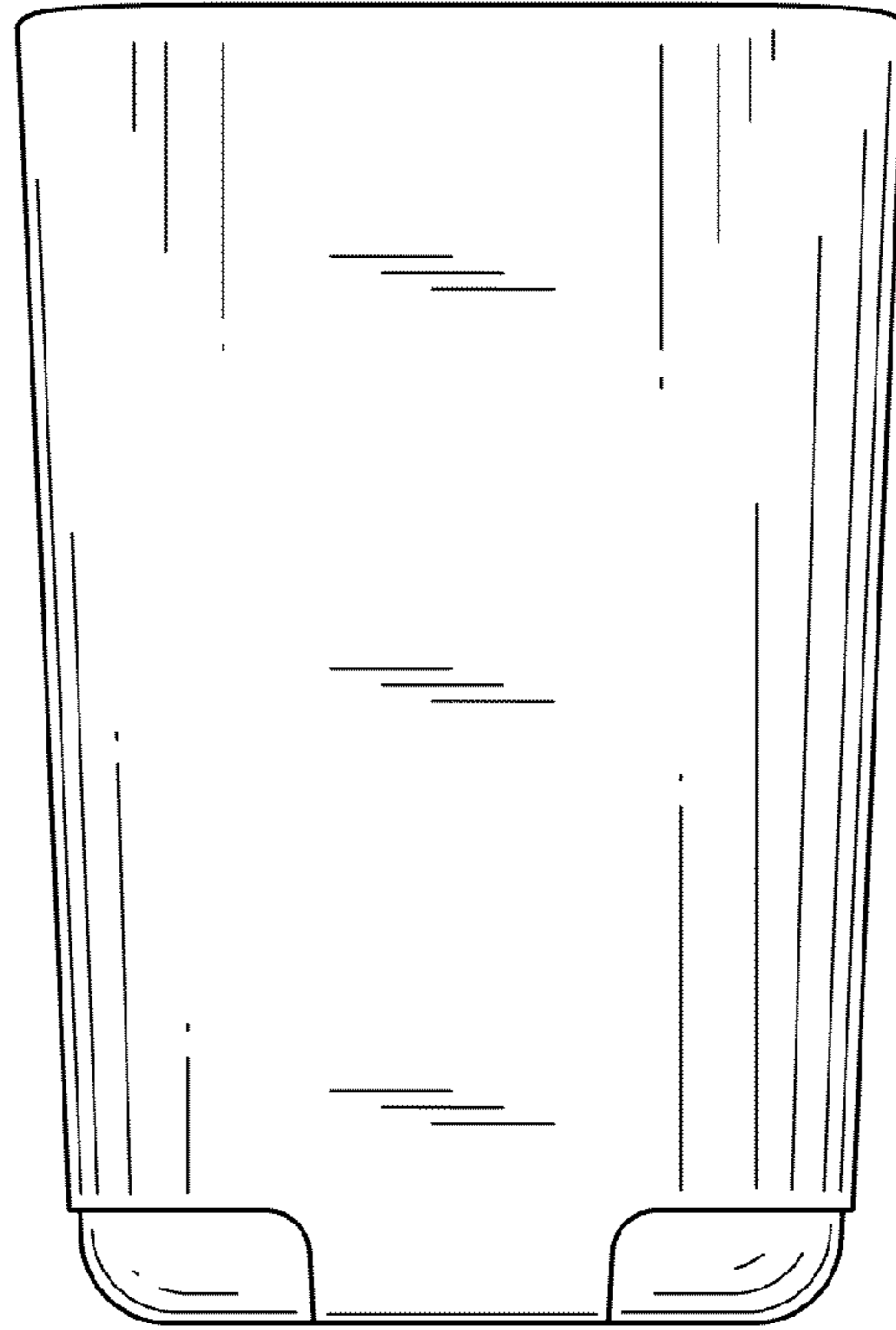


FIG. 4

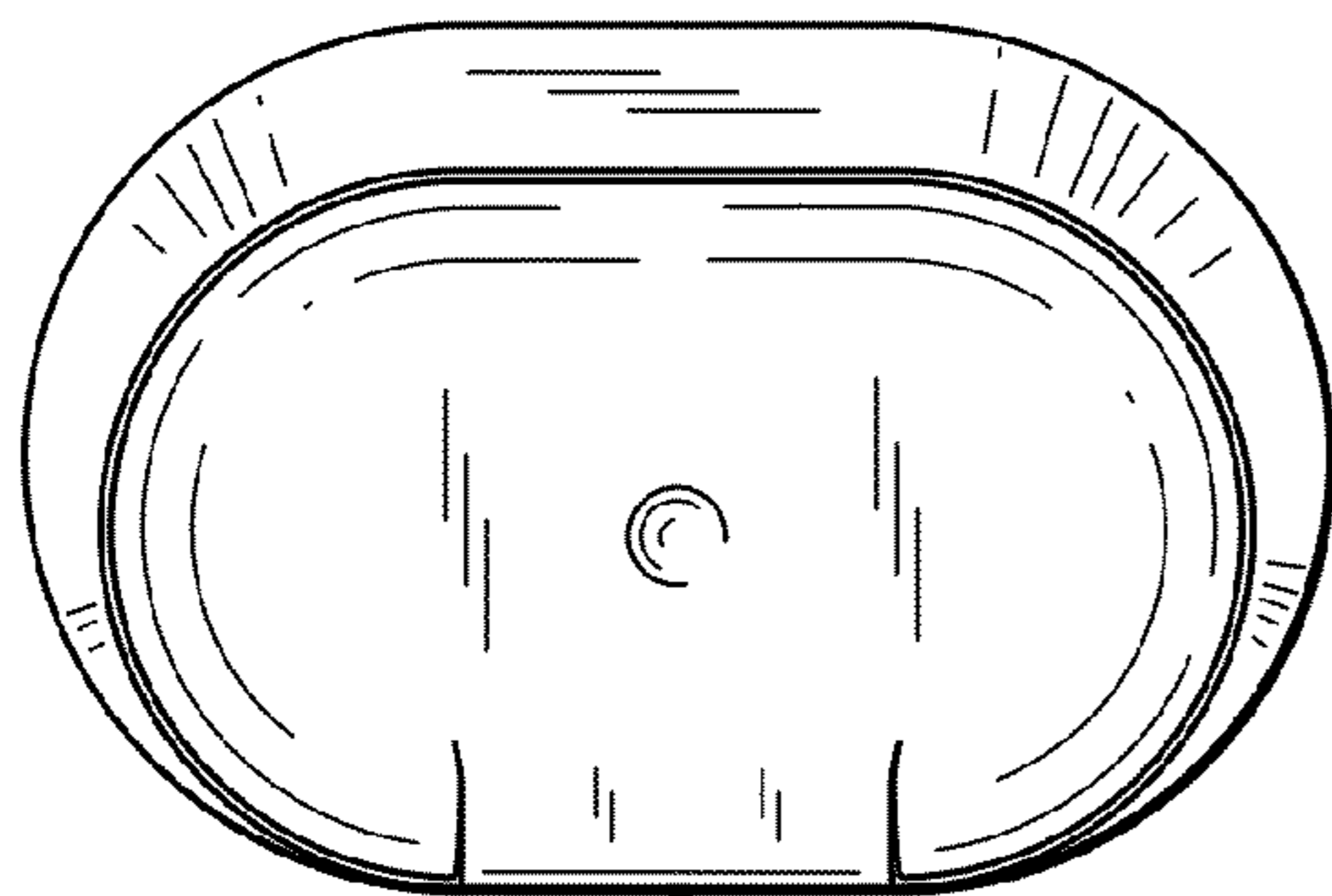


FIG. 5

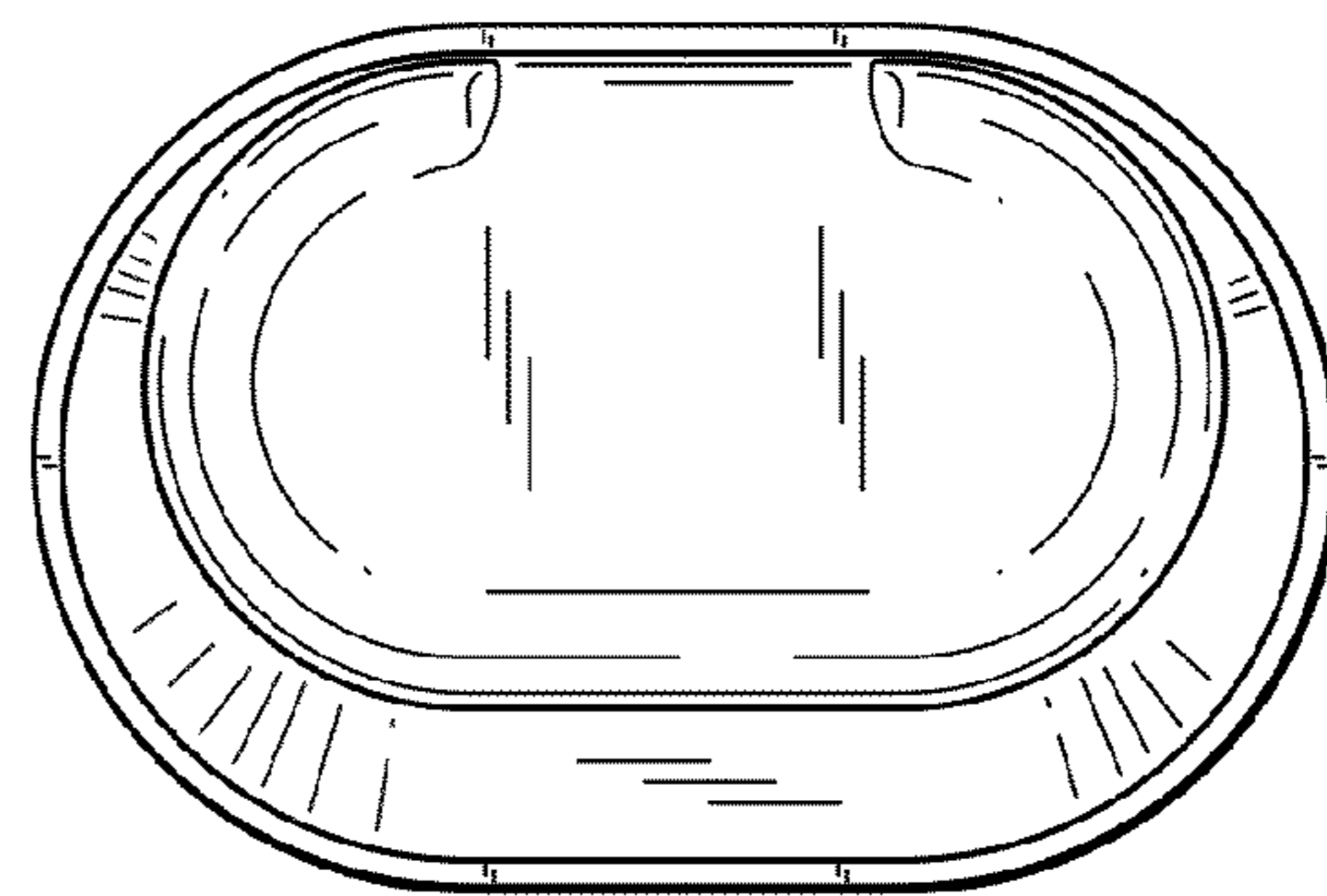


FIG. 6

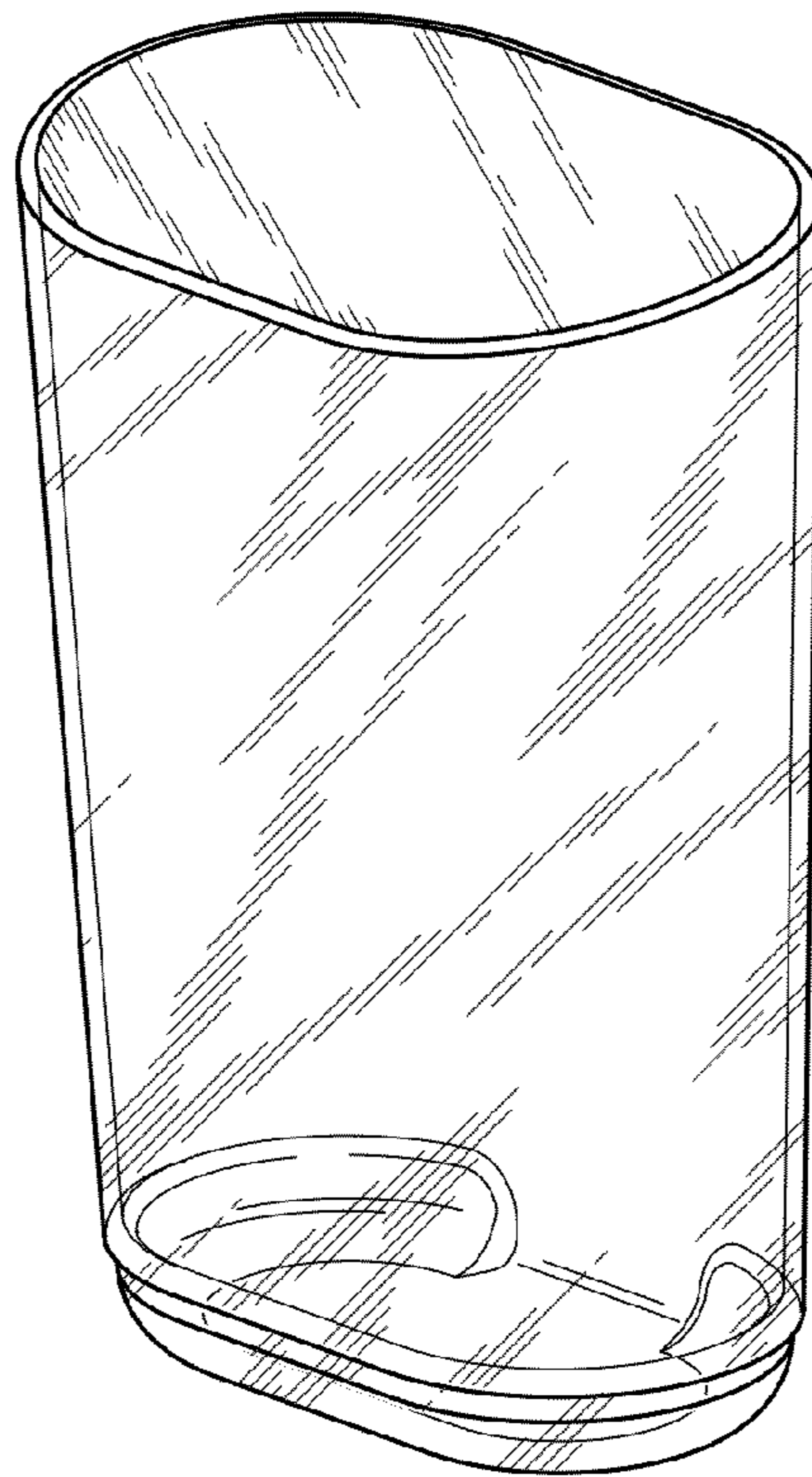


FIG. 7

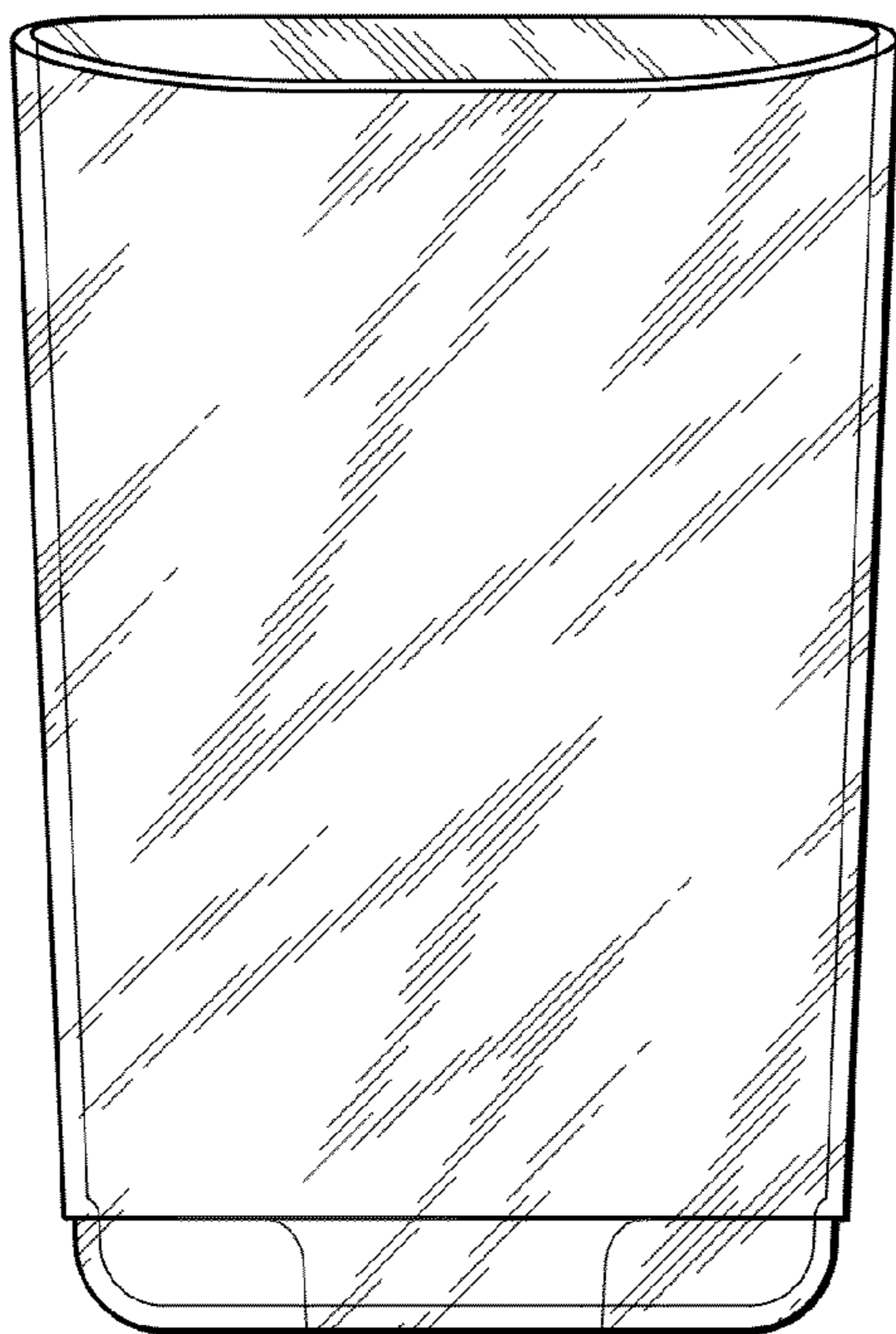


FIG. 8

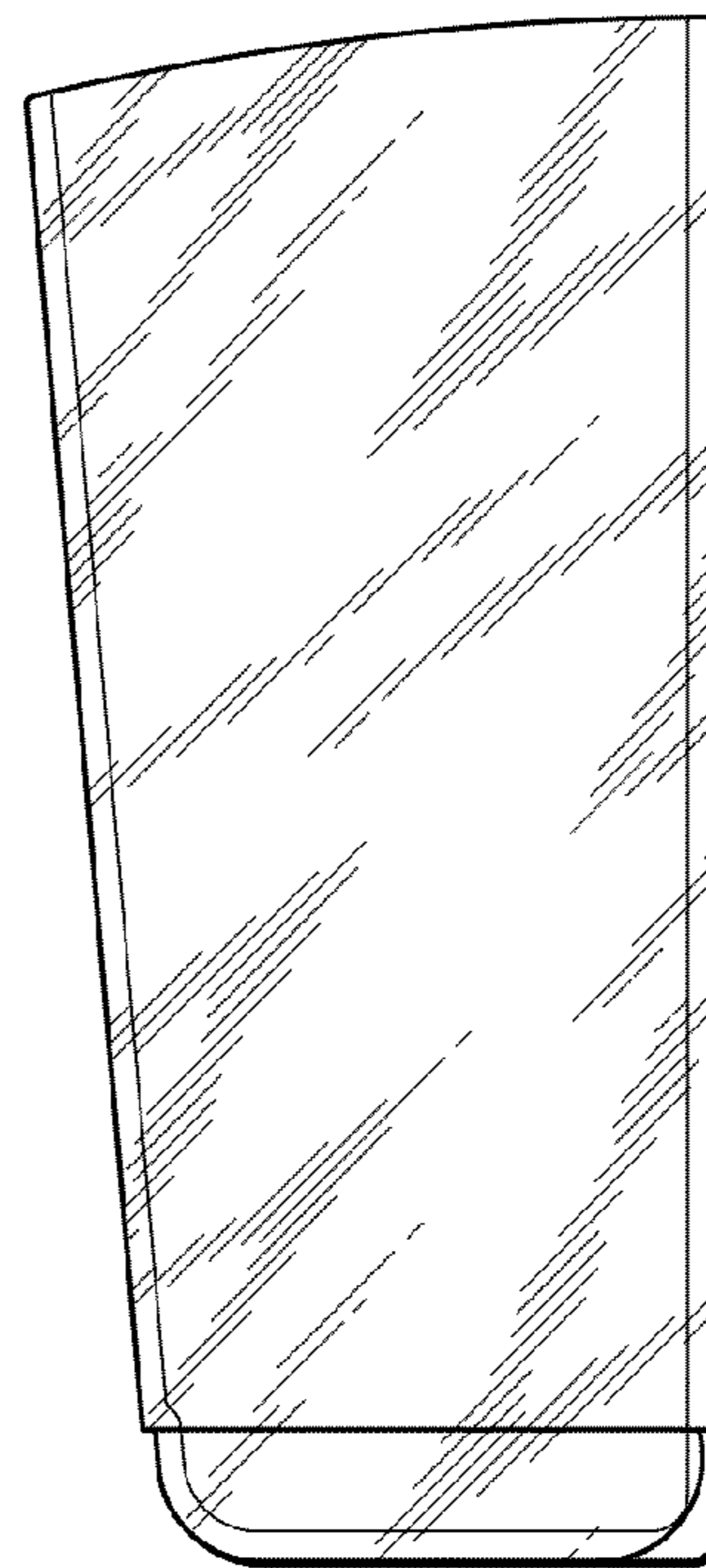


FIG. 9

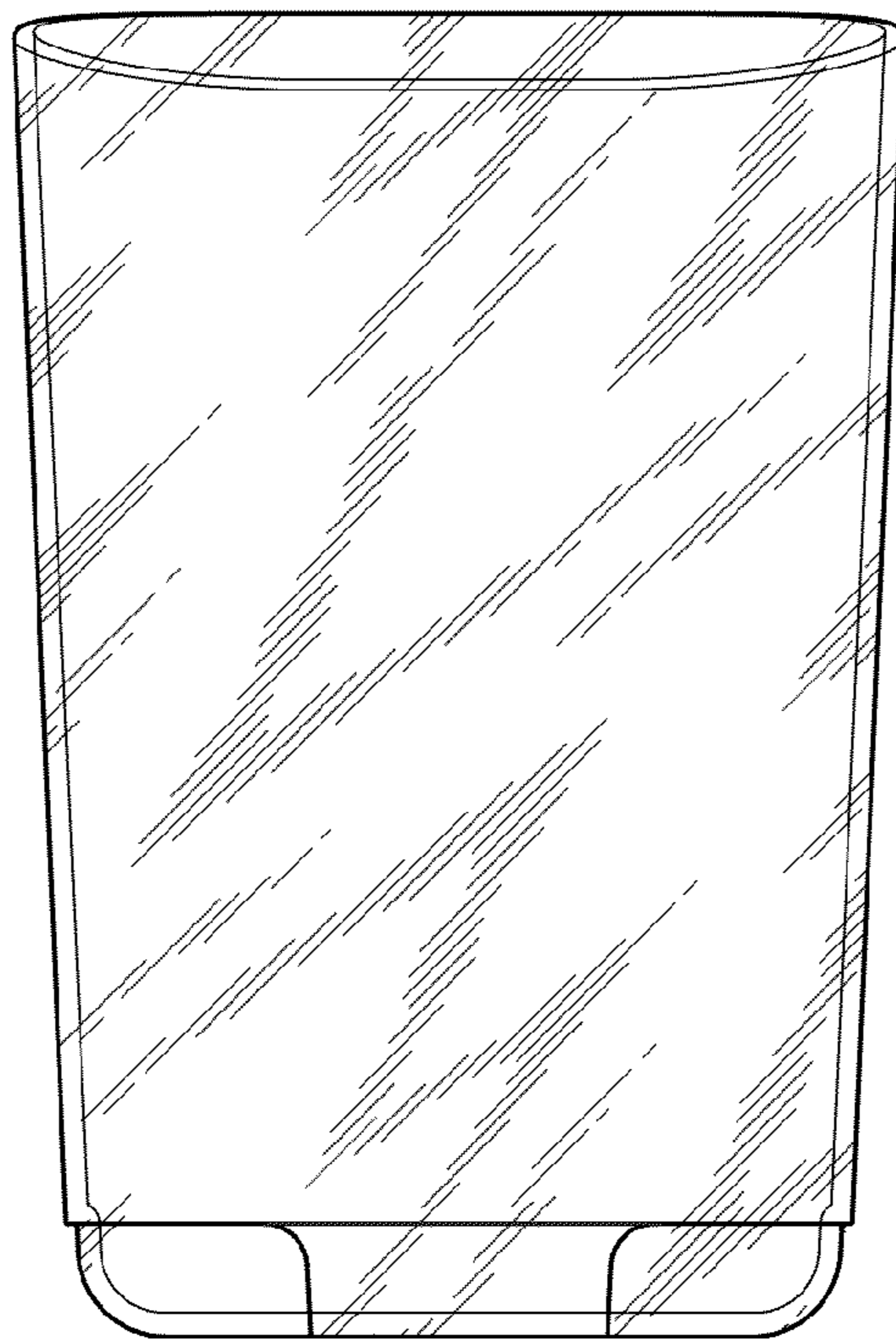


FIG. 10

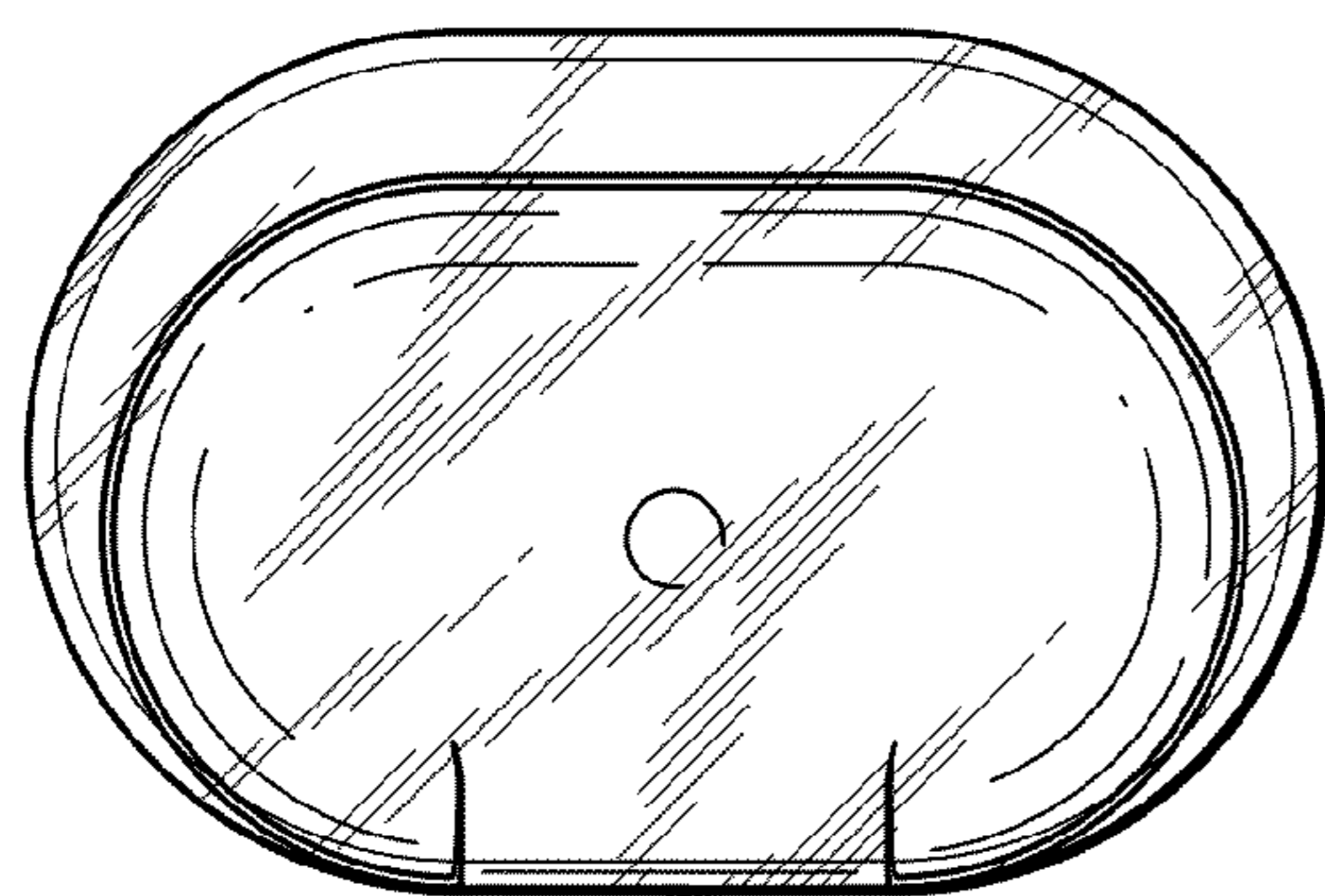


FIG. 11

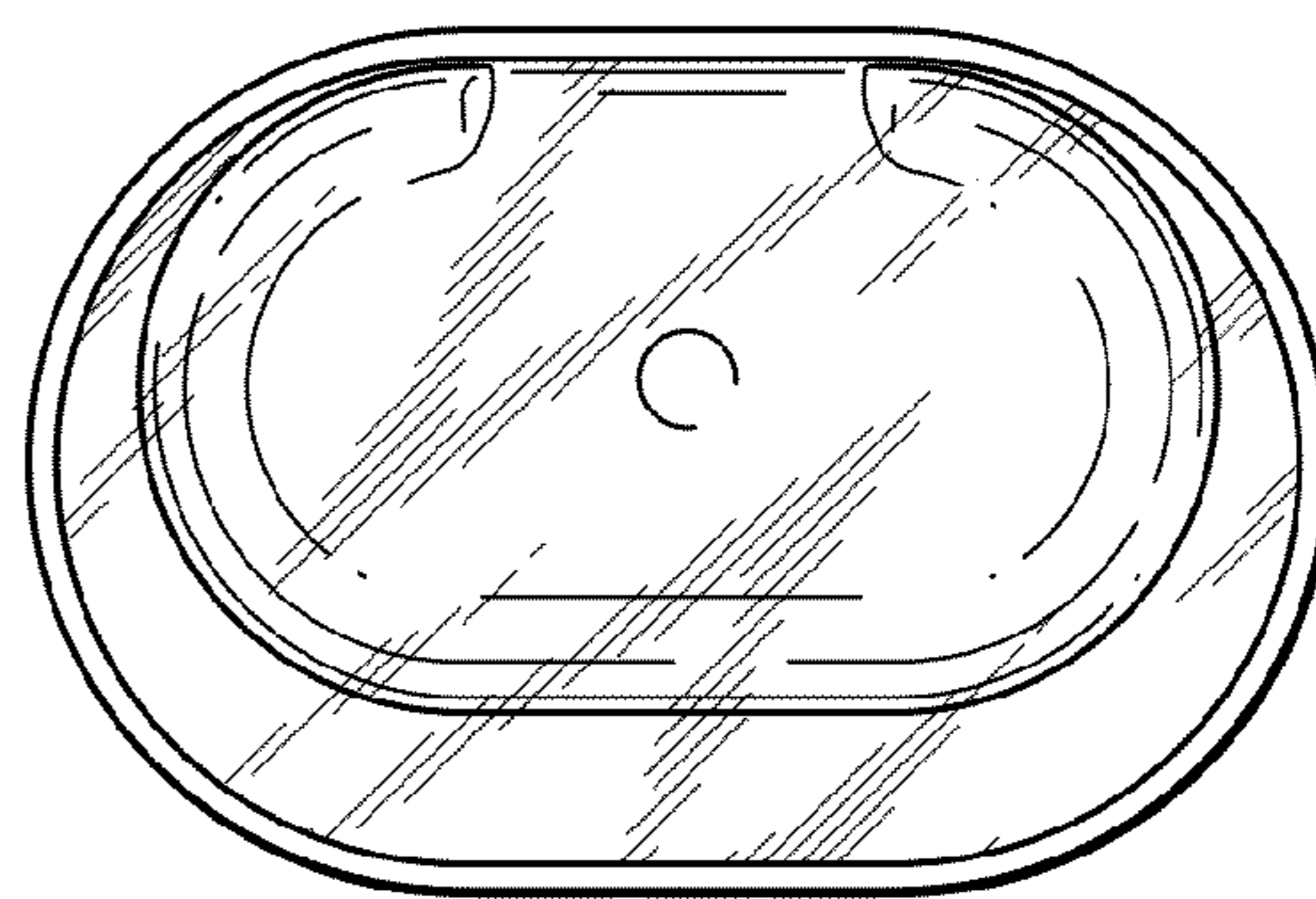


FIG. 12