



US00D732827S

(12) **United States Design Patent**
Suomela

(10) **Patent No.:** **US D732,827 S**
(45) **Date of Patent:** **** Jun. 30, 2015**

- (54) **STORAGE BOX**
- (71) Applicant: **Sauli Suomela**, Helsinki (FI)
- (72) Inventor: **Sauli Suomela**, Helsinki (FI)
- (73) Assignee: **ORTHEX SWEDEN AB**, Tingsryd (SE)
- (**) Term: **14 Years**
- (21) Appl. No.: **29/510,943**
- (22) Filed: **Dec. 4, 2014**

Related U.S. Application Data

- (62) Division of application No. 29/496,165, filed on Jul. 10, 2014.

Foreign Application Priority Data

Jan. 30, 2014 (EM) 0023956240002

- (51) **LOC (10) Cl.** **03-01**
- (52) **U.S. Cl.**
USPC **D3/304**
- (58) **Field of Classification Search**
USPC D3/304-315; D6/511, 424-425;
D32/37; 220/485, 675-676, 760, 762,
220/764, 768-769; 206/503-507
CPC ... B65D 43/162; B65D 81/02; B65D 81/3813
See application file for complete search history.

References Cited

U.S. PATENT DOCUMENTS

- D244,173 S 5/1977 Thurman
- D246,560 S * 12/1977 Beauchamp et al. D7/629
- D305,271 S 12/1989 Yoshikawa
- D326,550 S 5/1992 Waterman
- D347,098 S 5/1994 Hummel et al.
- D372,123 S * 7/1996 Kobilarcik et al. D3/312
- D372,568 S 8/1996 Lippisch

- D379,718 S * 6/1997 Raghunathan D3/312
- D381,205 S 7/1997 Conti
- D384,204 S * 9/1997 Lippisch D3/318
- D401,065 S 11/1998 Peltola
- D494,759 S * 8/2004 Louie et al. D3/304
- D495,490 S * 9/2004 Garrett et al. D3/304
- D501,318 S * 2/2005 Louie et al. D3/304
- D503,245 S * 3/2005 Vanoncini D28/78
- D504,017 S * 4/2005 Zimmerman D3/309
- D505,788 S * 6/2005 Sorrenti et al. D3/304
- D511,091 S * 11/2005 Liwag D9/418
- D538,536 S * 3/2007 Kopenhaver et al. D3/305
- D546,511 S 7/2007 Luster
- D549,454 S 8/2007 Åhman
- D550,912 S 9/2007 Kempske
- D554,371 S 11/2007 Åhman
- D578,308 S 10/2008 Simas
- D584,020 S 12/2008 McNamara
- D602,691 S 10/2009 Kerr
- D611,709 S 3/2010 Ceravolo
- D648,535 S 11/2011 Reinhart et al.
- D650,174 S 12/2011 Ahlstrom
- D704,432 S 5/2014 Askaroff

* cited by examiner

Primary Examiner — Kelley Donnelly

(74) *Attorney, Agent, or Firm* — Harness, Dickey & Pierce, P.L.C.

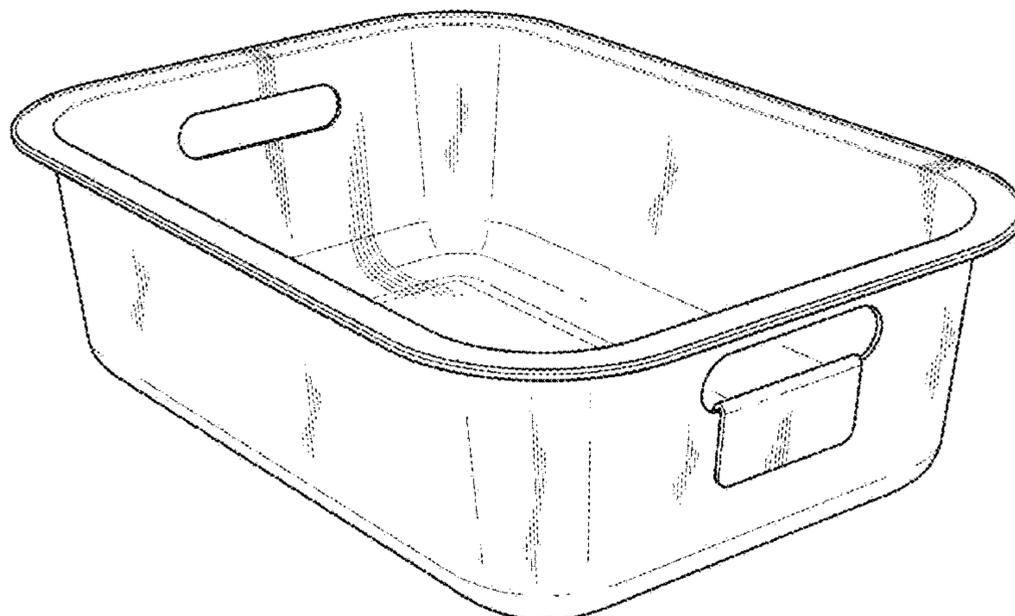
(57) **CLAIM**

The ornamental design for a storage box, as shown and described.

DESCRIPTION

FIG. 1 is a front, right perspective view of a storage box; FIG. 2 is a front, left perspective view thereof; FIG. 3 is a right side elevational view thereof; FIG. 4 is a left side elevational view thereof; FIG. 5 is a front elevational view thereof; FIG. 6 is a bottom view thereof; and, FIG. 7 is a top view thereof.

1 Claim, 4 Drawing Sheets



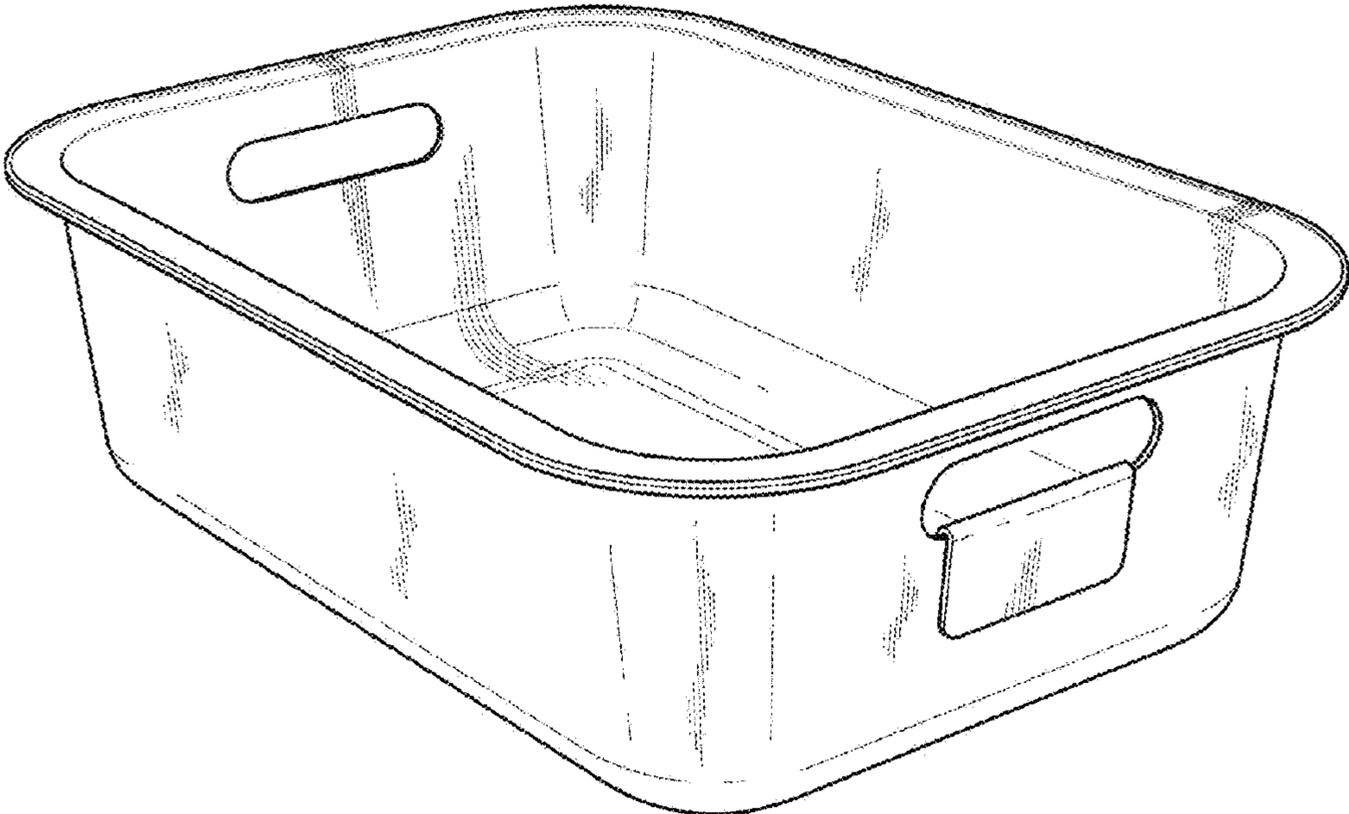


Figure 1

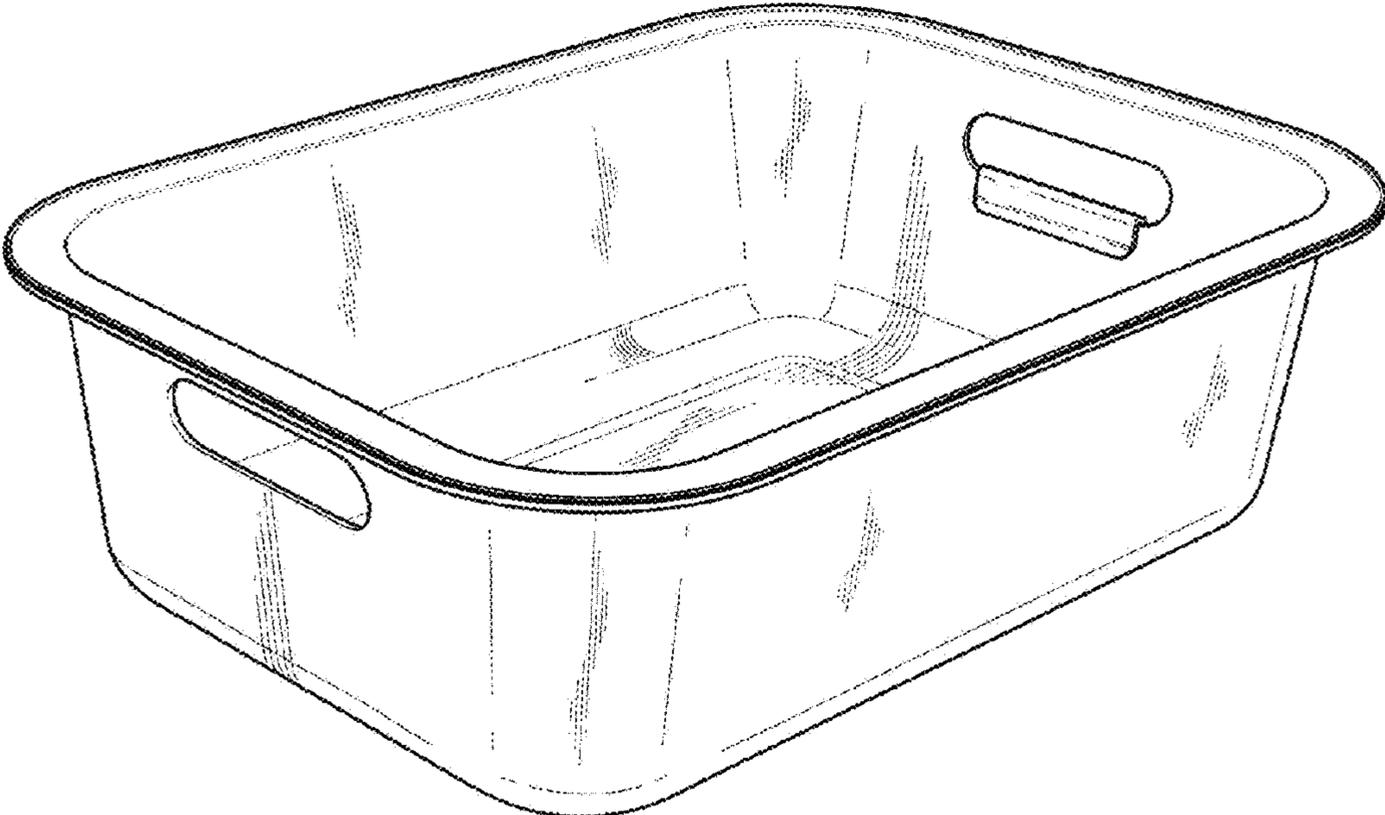


Figure 2

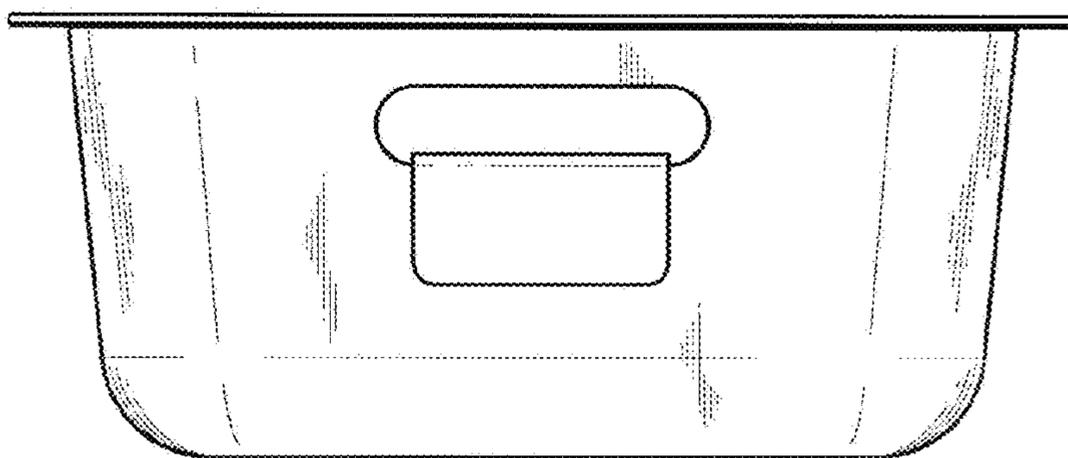


Figure 3

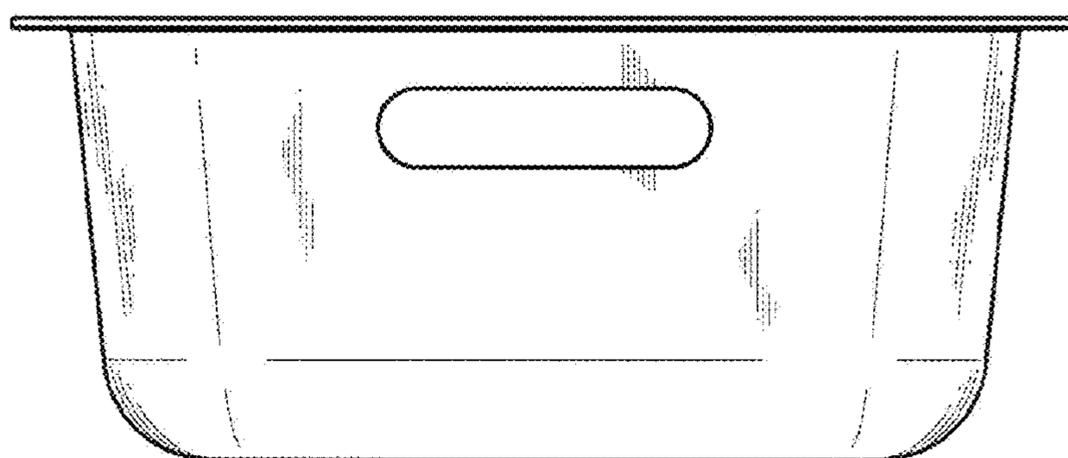


Figure 4

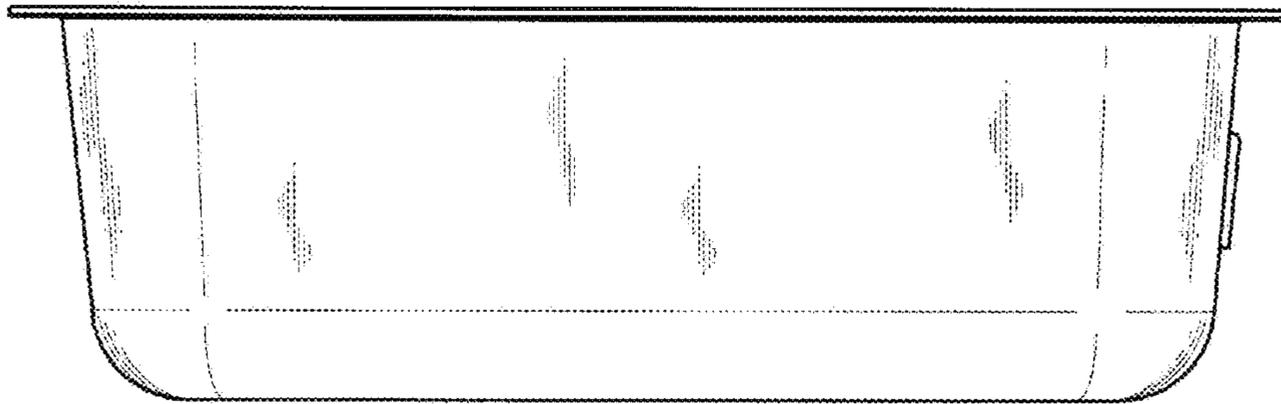


Figure 5

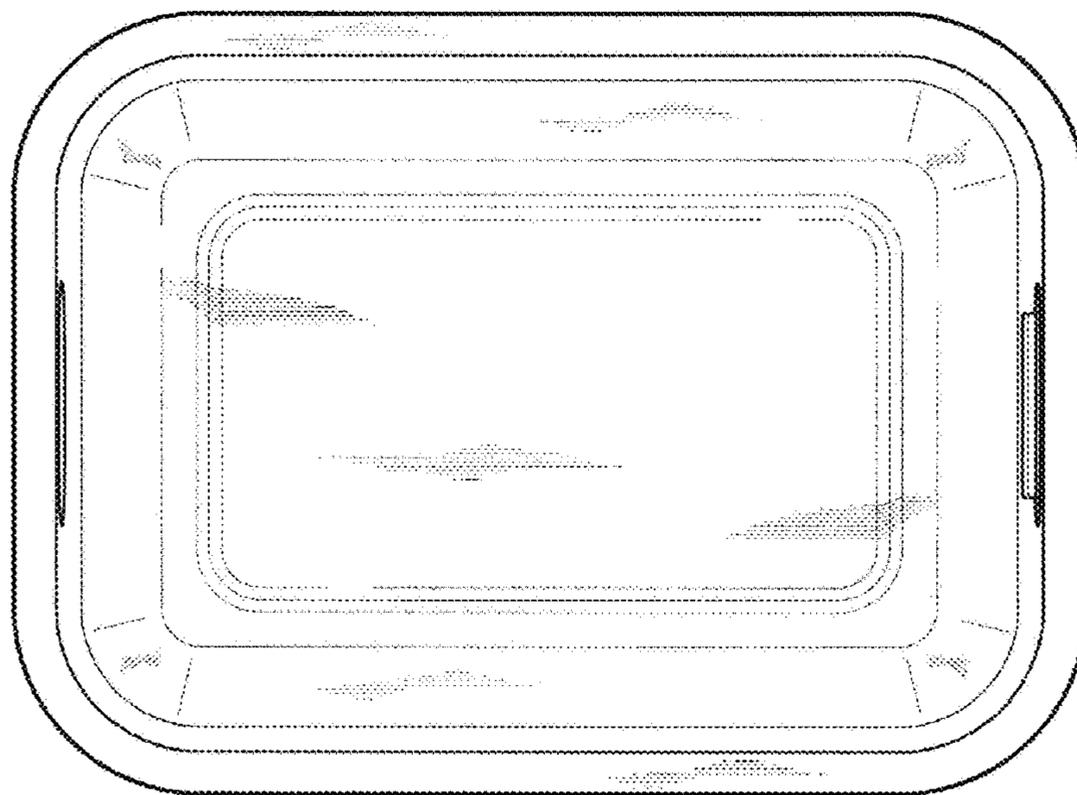


Figure 6

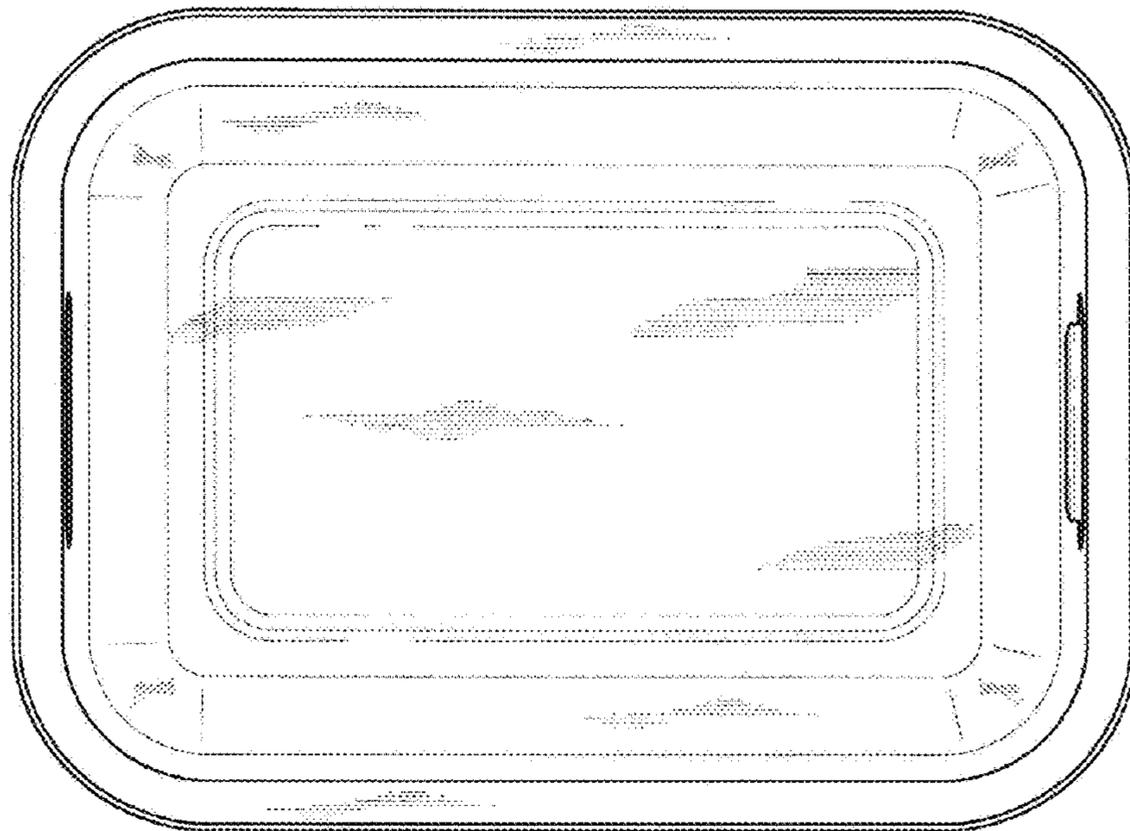


Figure 7