



US00D732824S

(12) **United States Design Patent**  
**Tzortzis**

(10) **Patent No.:** **US D732,824 S**  
(45) **Date of Patent:** **\*\* Jun. 30, 2015**

- (54) **GYM BAG WITH REMOVABLE SECTION**
- (71) Applicant: **Sahra Tzortzis**, New York, NY (US)
- (72) Inventor: **Sahra Tzortzis**, New York, NY (US)
- (\*\*) Term: **14 Years**
- (21) Appl. No.: **29/457,816**
- (22) Filed: **Jun. 13, 2013**
- (51) **LOC (10) Cl.** ..... **03-01**
- (52) **U.S. Cl.**  
USPC ..... **D3/288; D3/289; D3/301**
- (58) **Field of Classification Search**  
USPC ..... D3/273, 280, 289, 301, 903, 901, 900,  
D3/205, 232, 233, 246, 274-276, 290, 291,  
D3/299, 201, 294, 288, 217, 216, 270;  
224/600-659, 275, 576, 929;  
150/100-110, 118, 119, 130;  
206/316.1, 316.2, 316.3, 823;  
190/100-127, 903, 902, 900  
CPC ..... A45C 2003/007; A45C 3/001; A45C  
2003/008  
See application file for complete search history.

6,948,599	B2	9/2005	Rodrigue et al.	
7,051,908	B2	5/2006	Mignano et al.	
7,171,707	B2	2/2007	Landay	
7,344,028	B2 *	3/2008	Hanson	206/545
D575,059	S *	8/2008	Cappiello et al.	D3/283
D620,708	S *	8/2010	Sanz	D3/276
D625,102	S *	10/2010	Jacobs	D3/289
7,861,857	B2 *	1/2011	Vorderkunz	206/289
8,181,775	B2	5/2012	Bunn	
8,348,054	B2	1/2013	Dragan	
D688,457	S *	8/2013	Harris	D3/285
D688,458	S *	8/2013	Harris	D3/285
2009/0052808	A1	2/2009	Pham et al.	
2012/0048816	A1	3/2012	Brown	

\* cited by examiner

*Primary Examiner* — Jennifer Rivard  
*Assistant Examiner* — April Rivas  
(74) *Attorney, Agent, or Firm* — Michael J. Feigin, Esq.;  
Feigin & Associates, LLC

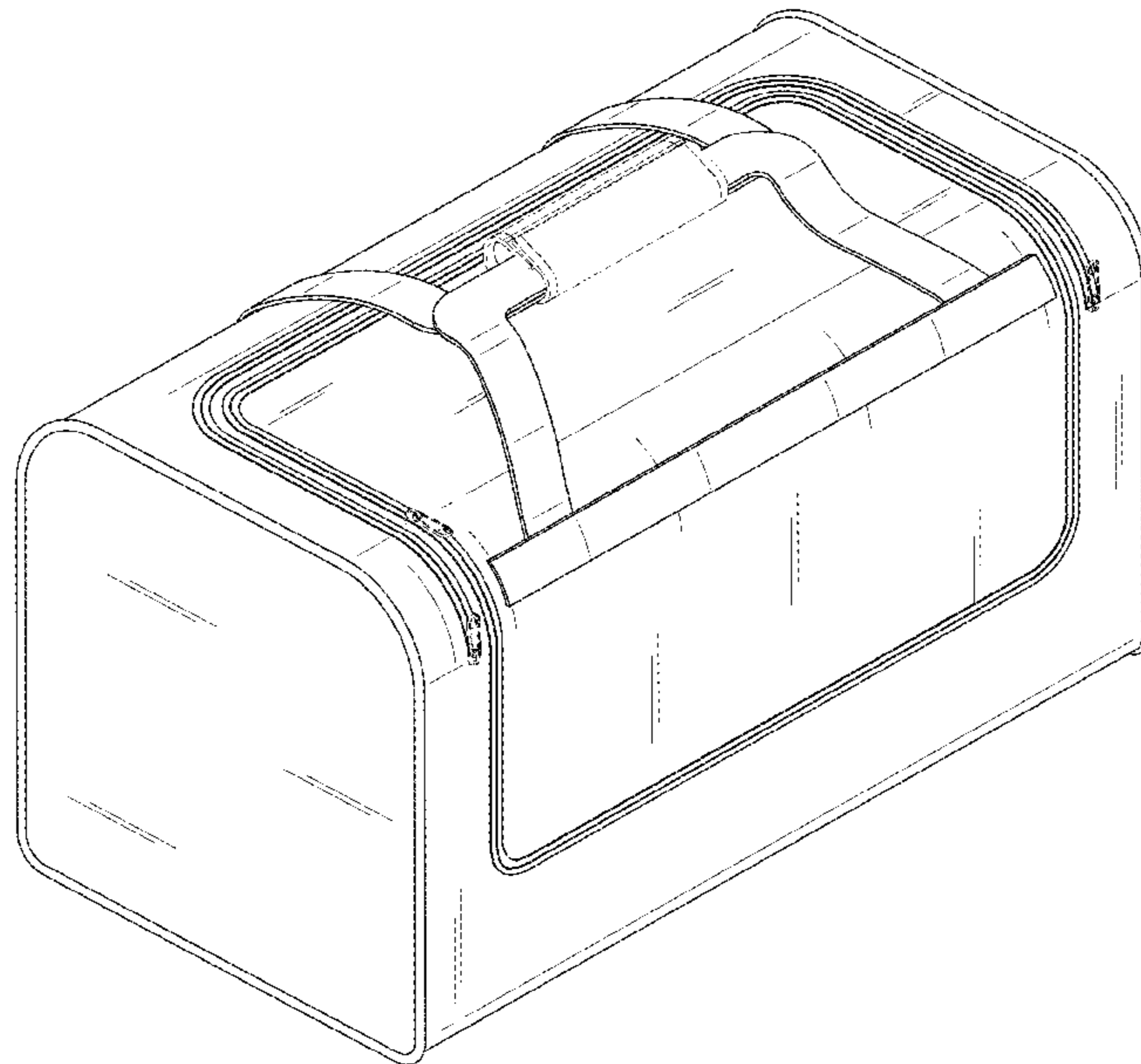
(57) **CLAIM**  
The ornamental design for the gym bag with removable section, as shown and described.

**DESCRIPTION**

FIG. 1 shows a top perspective view of a gym bag with a removable section.  
FIG. 2 shows a bottom perspective view thereof.  
FIG. 3 shows a front elevation view thereof.  
FIG. 4 shows a back elevation view thereof.  
FIG. 5 shows a top plan view thereof.  
FIG. 6 shows a bottom plan view thereof; and,  
FIG. 7 shows a left side elevation view thereof, the opposing right side being a mirror image thereof.  
The broken lines illustrate portions of the gym bag with removable section and form no part of the claimed design.

**1 Claim, 7 Drawing Sheets**

- (56) **References Cited**  
U.S. PATENT DOCUMENTS
- 4,210,186 A \* 7/1980 Belenson ..... 206/316.2
- 4,488,624 A \* 12/1984 Myers ..... 190/120
- D281,646 S \* 12/1985 Bomes et al. .... D3/286
- D285,748 S \* 9/1986 Feinberg et al. .... D3/286
- 4,773,515 A \* 9/1988 Kotkins, Jr. .... 190/103
- 4,998,603 A 3/1991 Nordstrom
- 5,413,199 A \* 5/1995 Clement ..... 190/108
- 6,076,666 A 6/2000 Santa-Maria
- 6,129,210 A 10/2000 Rustemeyer et al.
- 6,193,034 B1 2/2001 Fournier
- 6,382,376 B1 \* 5/2002 Rosen et al. .... 190/108



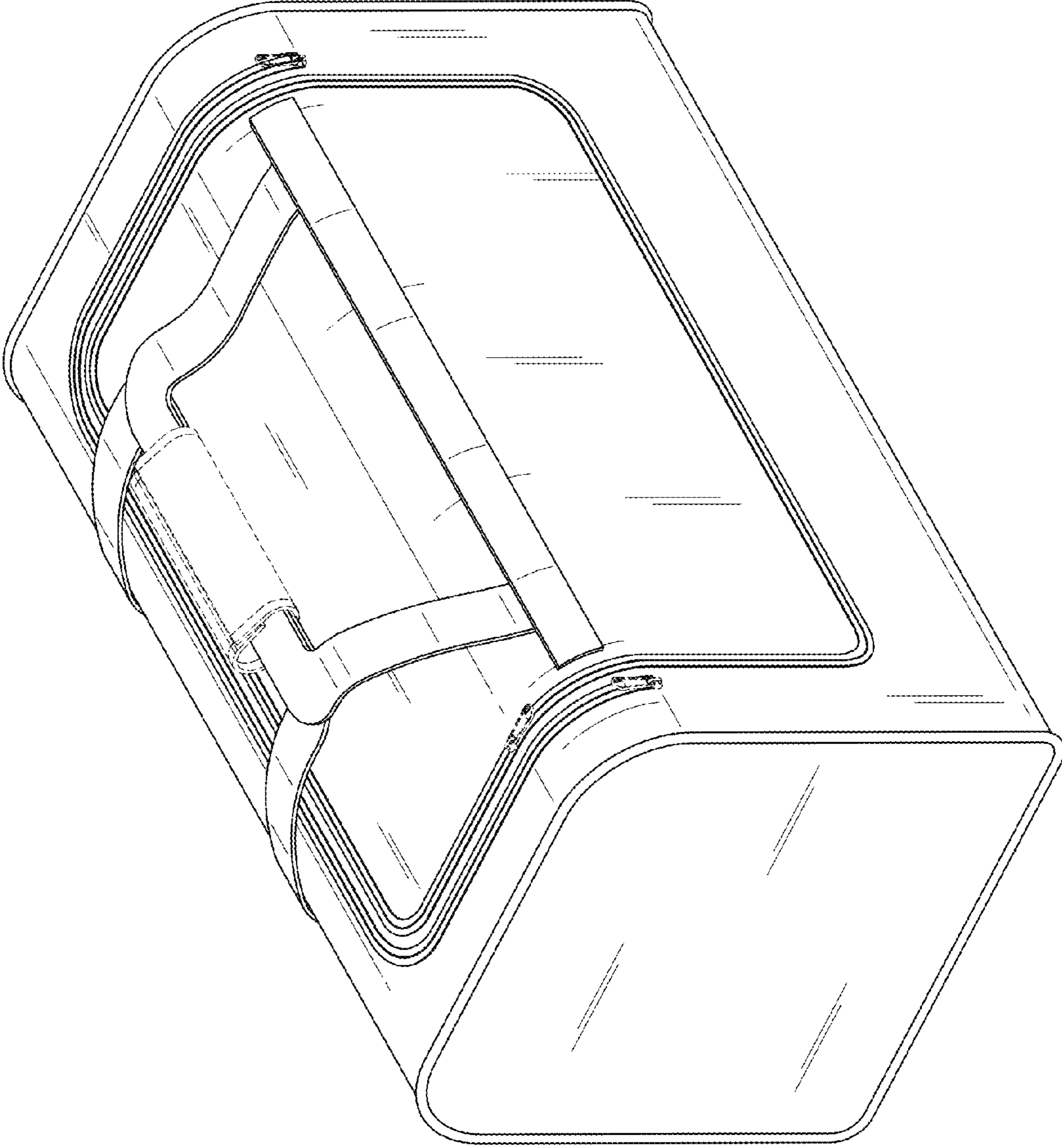


FIG. 1

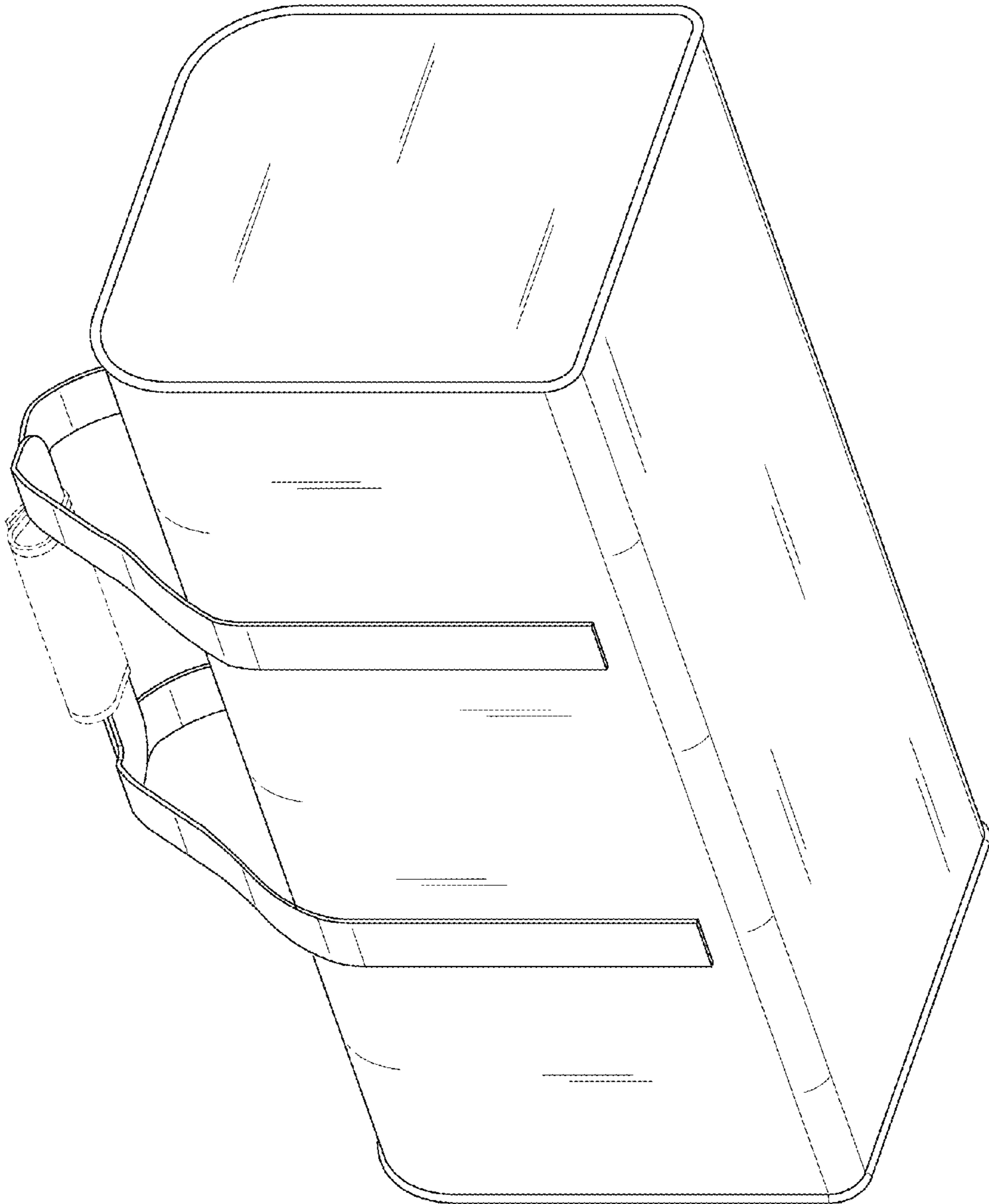


FIG. 2

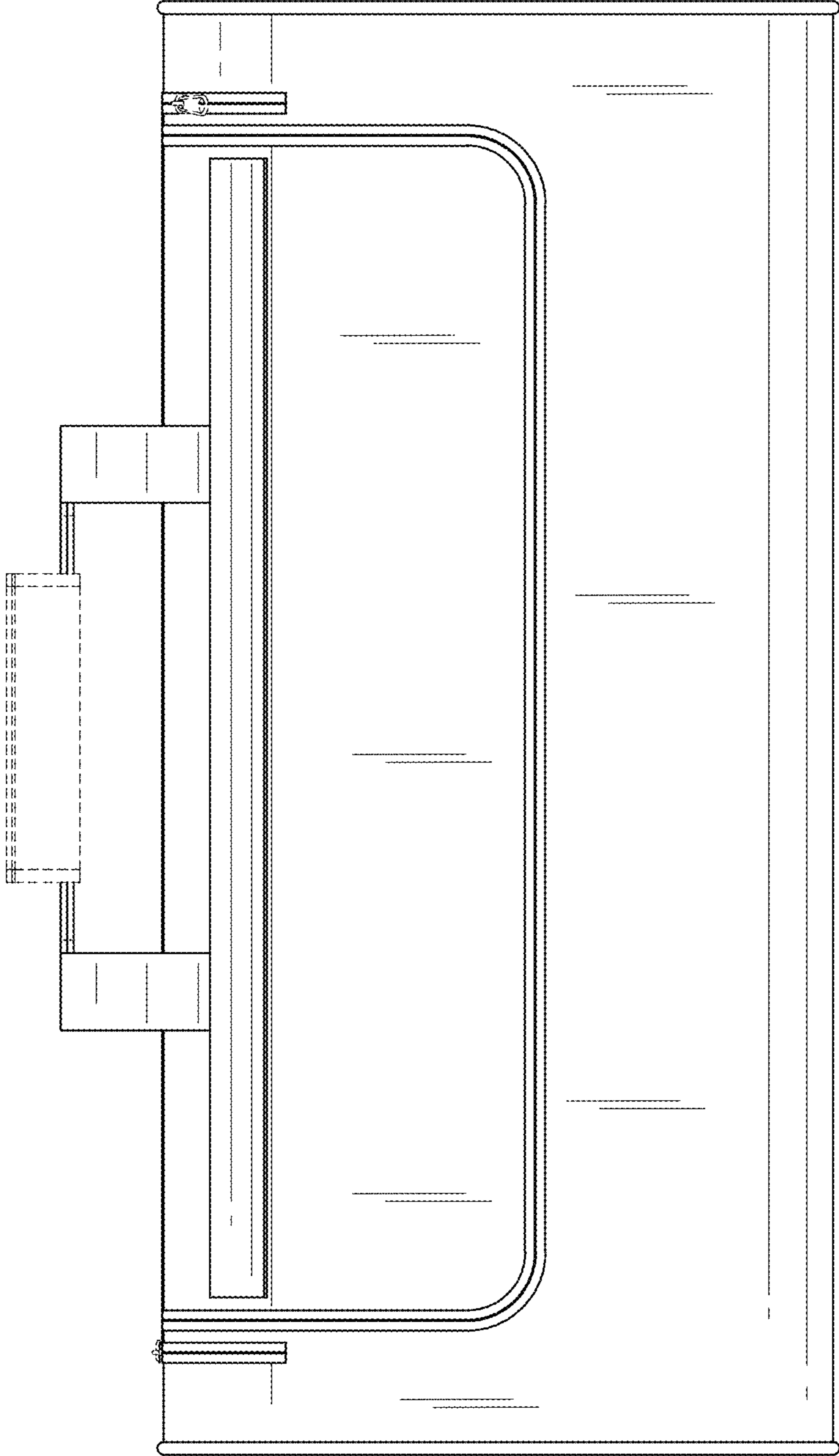


FIG. 3

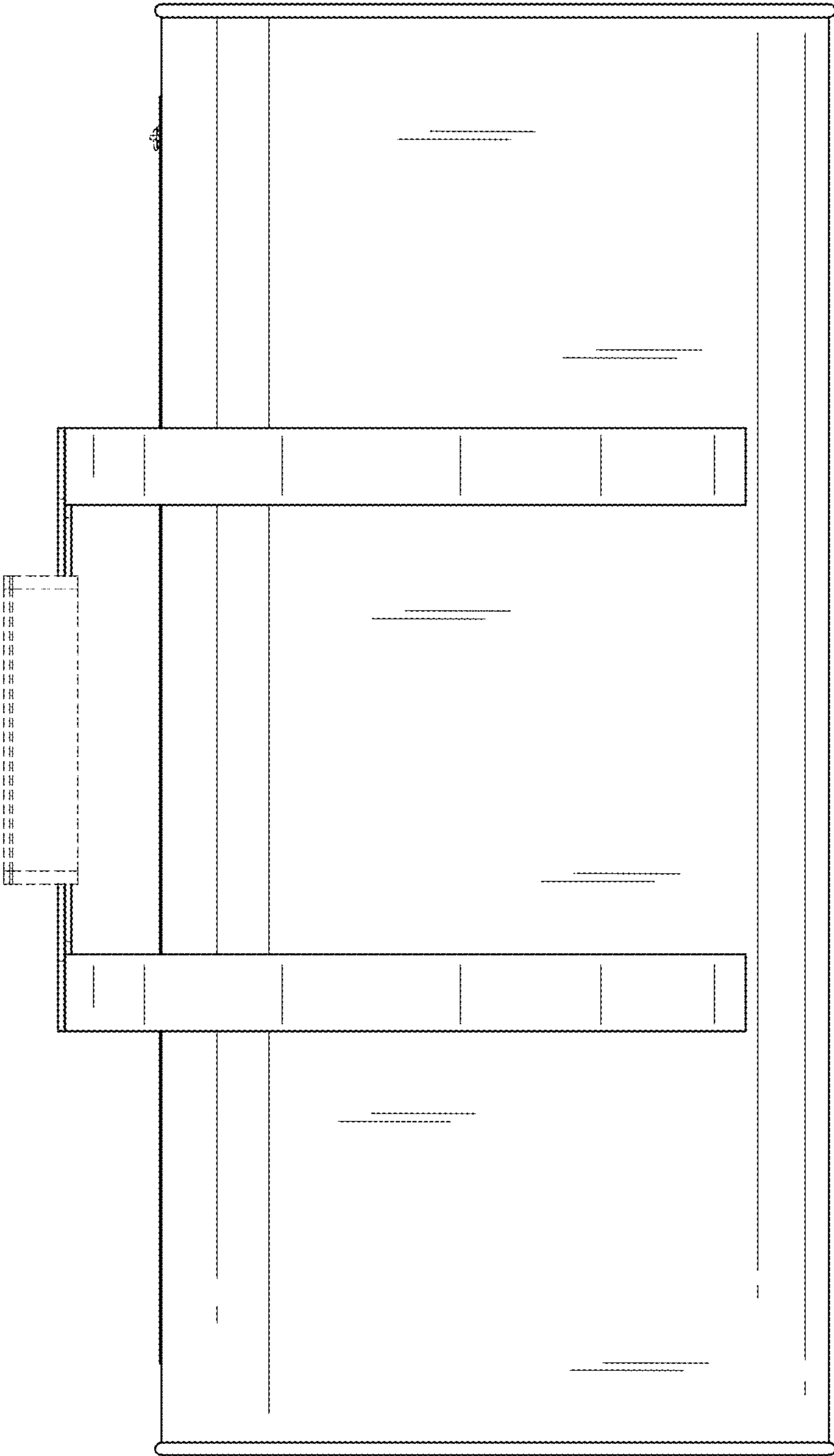


FIG. 4

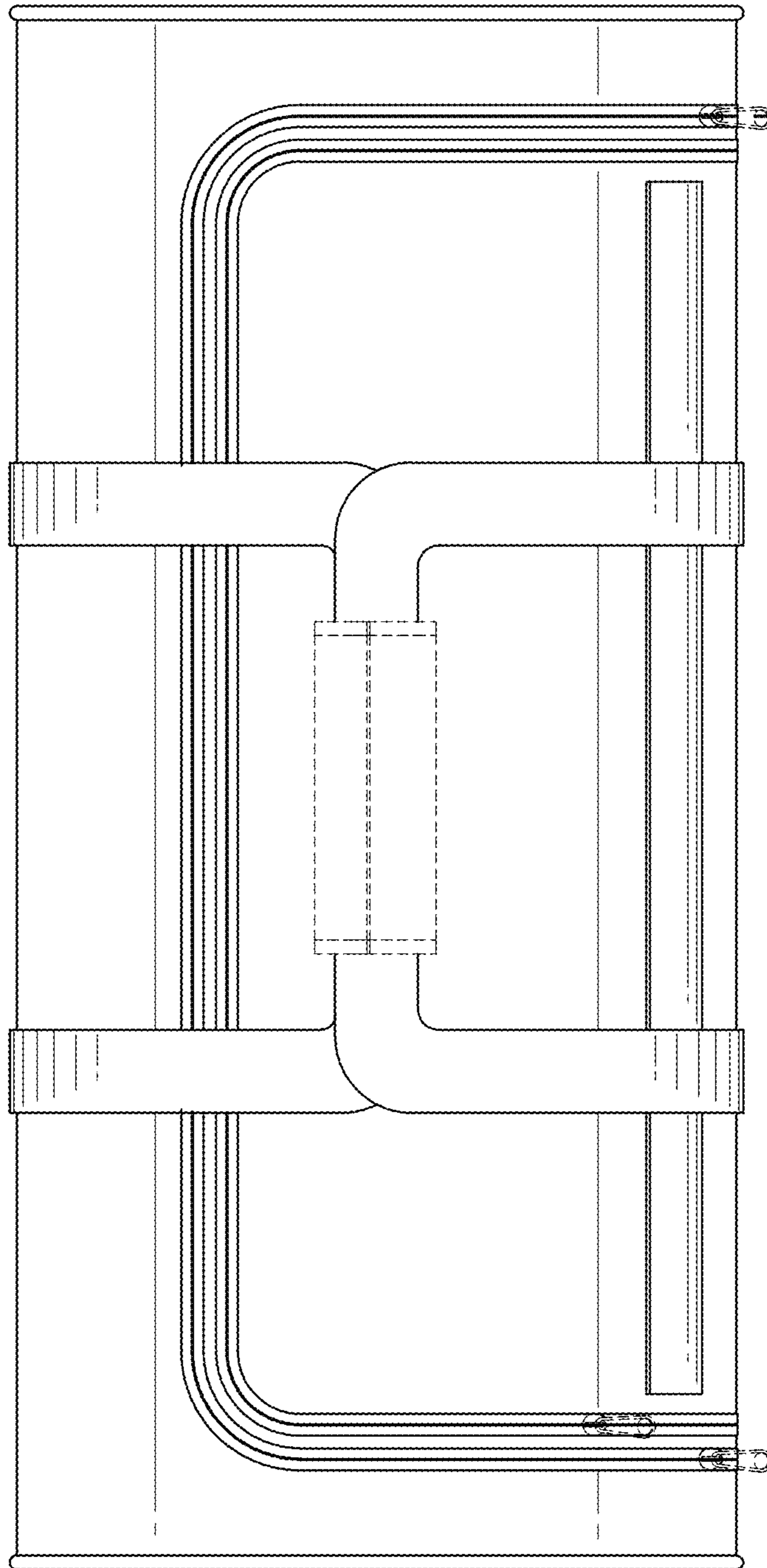


FIG. 5

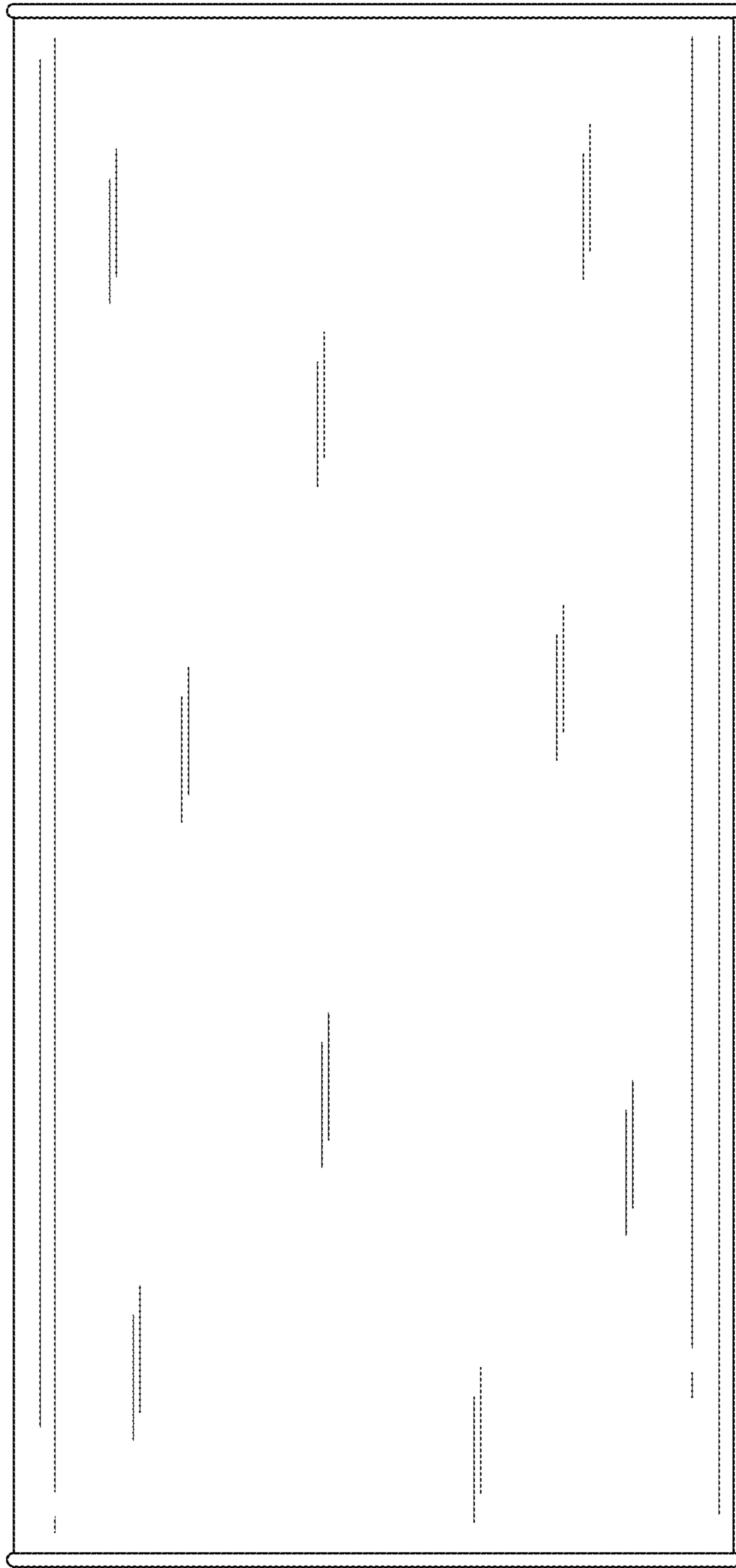


FIG. 6

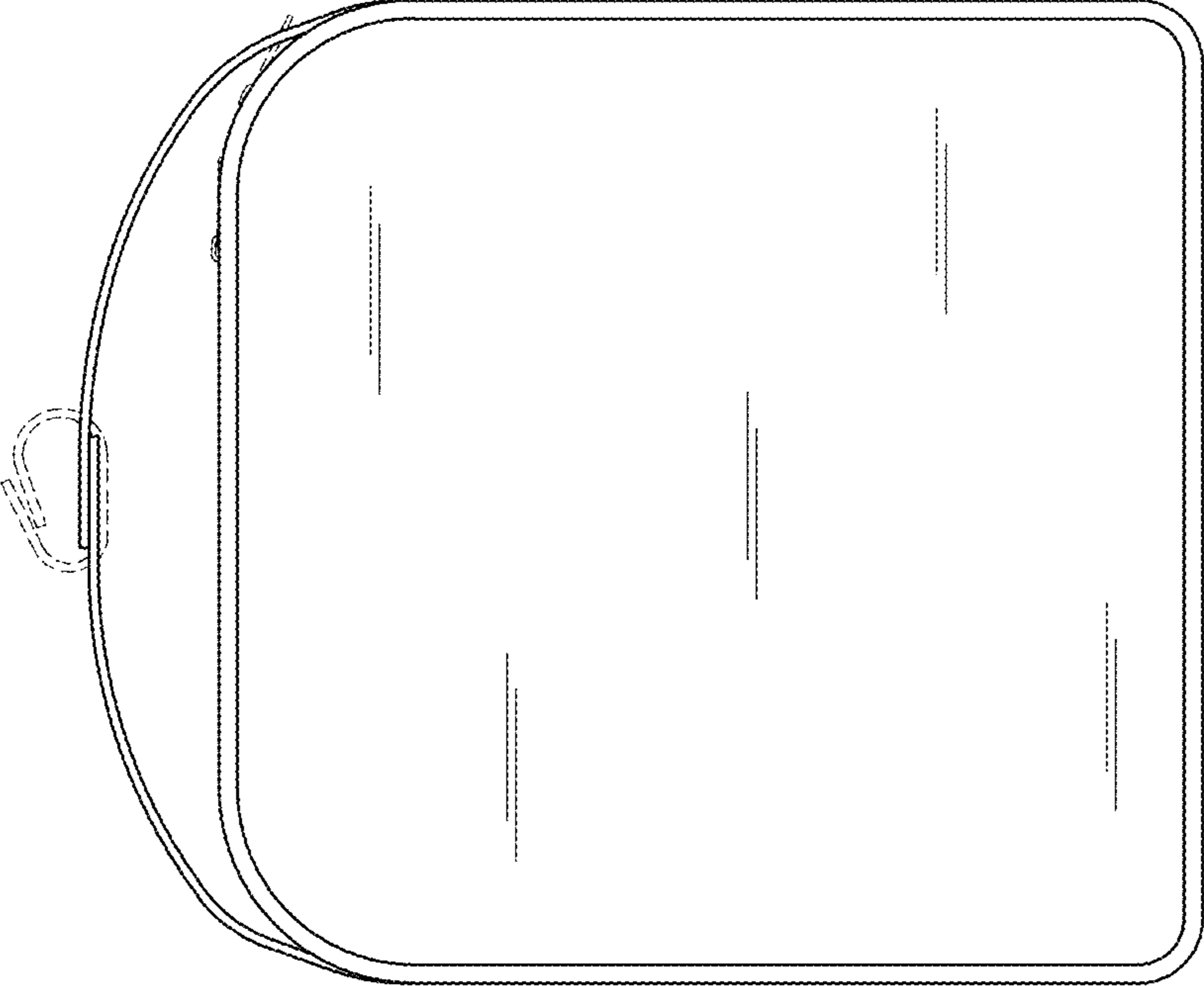


FIG. 7