



US00D732822S

(12) **United States Design Patent**
Griffin et al.

(10) **Patent No.:** **US D732,822 S**
(45) **Date of Patent:** **** Jun. 30, 2015**

(54) **CHILD RESISTANT STORAGE DEVICE**

FOREIGN PATENT DOCUMENTS

(71) Applicants: **Jeremy Griffin**, Northridge, CA (US);
Jacob Griffin, Lancaster, CA (US);
David Weidenbach, Costa Mesa, CA
(US)

EP 0542324 5/1993
EP 2050685 4/2009

(72) Inventors: **Jeremy Griffin**, Northridge, CA (US);
Jacob Griffin, Lancaster, CA (US);
David Weidenbach, Costa Mesa, CA
(US)

OTHER PUBLICATIONS

marijuanapackaging.com, Mar. 18, 2015, Internet printout: <http://www.marijuanapackaging.com/opaque-child-resistant-green-concentrate-container-5ml.html>, Date of publication = Admitted Prior Art.

(Continued)

(**) Term: **14 Years**

Primary Examiner — Holly Baynham

(21) Appl. No.: **29/521,003**

(74) *Attorney, Agent, or Firm* — Decisis LLP

(22) Filed: **Mar. 19, 2015**

(51) **LOC (10) Cl.** **03-01**

(57) **CLAIM**

(52) **U.S. Cl.**

The ornamental design for a child resistant storage device, as shown and described.

USPC **D3/273**

(58) **Field of Classification Search**

USPC D3/273, 294, 298; D9/435

CPC B65D 47/0804; B65D 2215/02; B65D
50/0451; B65D 55/02

DESCRIPTION

See application file for complete search history.

(56) **References Cited**

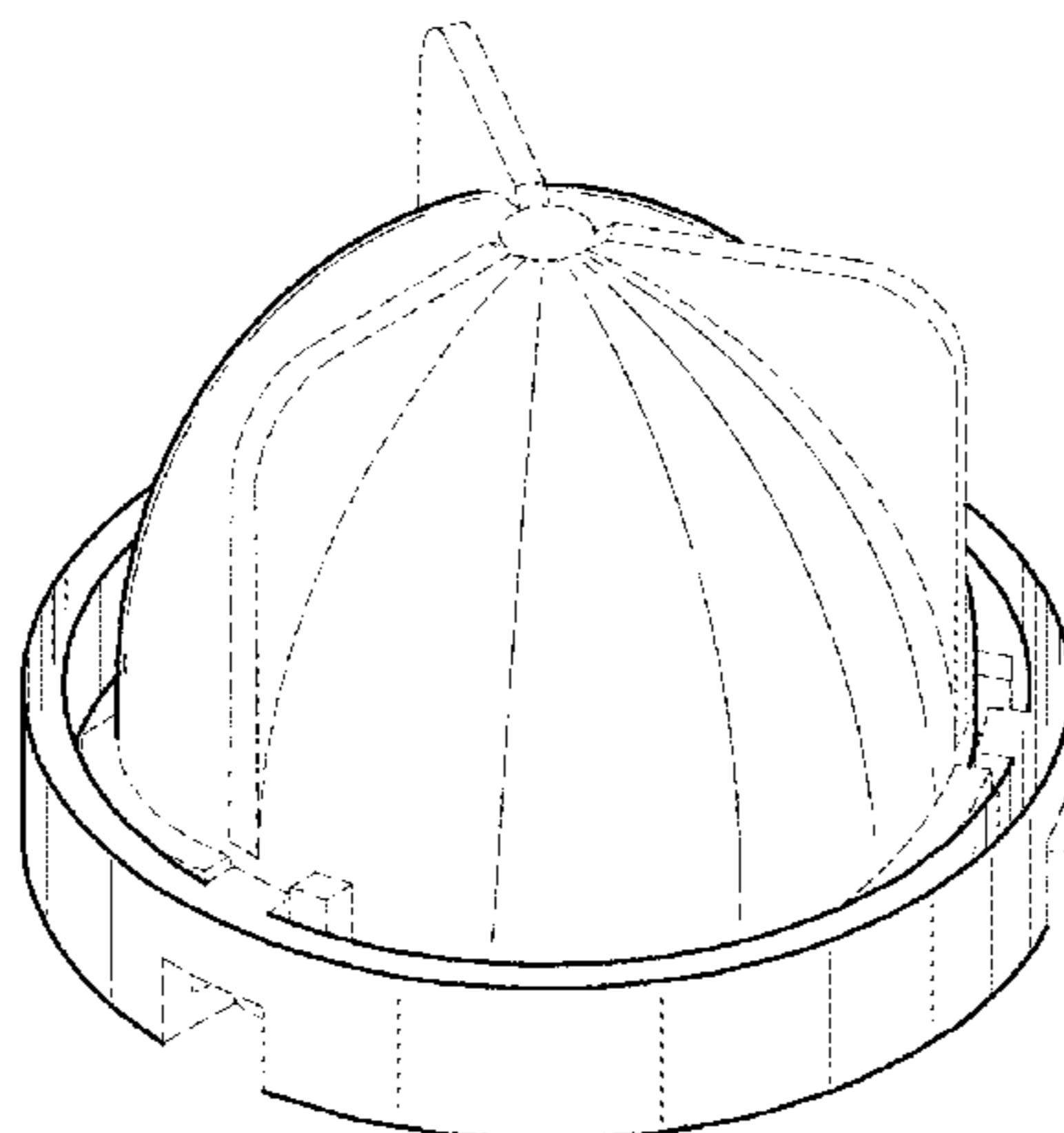
U.S. PATENT DOCUMENTS

D92,981 S	10/1933	Scurlock	
3,666,338 A	5/1972	Russell	
3,907,103 A	9/1975	Shaw	
4,109,785 A	8/1978	Berghahn	
4,170,315 A	10/1979	Dubach	
4,244,495 A	1/1981	Lorscheid	
4,401,210 A	8/1983	Anjou	
D270,521 S	9/1983	Morris	
4,511,032 A	4/1985	Bush	
4,561,544 A	12/1985	Reeve	
4,746,008 A	5/1988	Heverly	
D298,608 S	11/1988	Dewing	
5,031,784 A	7/1991	Wright	
5,040,691 A	8/1991	Hayes	
D343,058 S *	1/1994	Allegre	D3/294
D361,265 S	8/1995	Doxey	
D369,905 S *	5/1996	Hunt	D3/273

(Continued)

FIG. 1 is a perspective view embodying the inventive design; FIG. 2 is an exploded perspective view thereof showing the body at the bottom and the cap at the top; FIG. 3 is a side view of the device thereof; FIG. 4 is a top view of the device thereof; FIG. 5 is a bottom view of the device thereof; FIG. 6 is a perspective view of the cap thereof; FIG. 7 is a side view of the cap thereof; FIG. 8 is a top view of the cap thereof; FIG. 9 is a bottom view of the cap thereof; FIG. 10 is a perspective view of the body thereof; FIG. 11 is a front view of the body thereof; FIG. 12 is a side view of the body thereof; FIG. 13 is a top view of the body thereof; and, FIG. 14 is a bottom view of the body thereof. The broken line showing is for the purpose of illustrating portions of the article or environmental structure and forms no part of the claimed design.

1 Claim, 7 Drawing Sheets



(56)

References Cited

U.S. PATENT DOCUMENTS

5,636,756 A 6/1997 Johnson
D452,373 S * 12/2001 Horntrich D3/294
D489,610 S 5/2004 Miceli
D496,154 S * 9/2004 Herman et al. D3/203.1
D549,573 S 8/2007 Liebe
D606,307 S 12/2009 Gauss
7,721,907 B2 5/2010 Keung
8,540,115 B2 9/2013 Giraud
8,807,359 B2 8/2014 Giraud

2006/0186077 A1 8/2006 Robinson
2014/0144867 A1 5/2014 Giraud

OTHER PUBLICATIONS

dhgate.com, Mar. 18, 2015, Internet printout: <http://www.dhgate.com/luk/plastic-containers-uk.html>, Date of publication = Admitted Prior Art.
fishercontainer.com, Mar. 18, 2015, Internet printout: <http://www.fishercontainer.com/squeezetops-child-resistant-containers.html>, Date of publication = Admitted Prior Art.

* cited by examiner

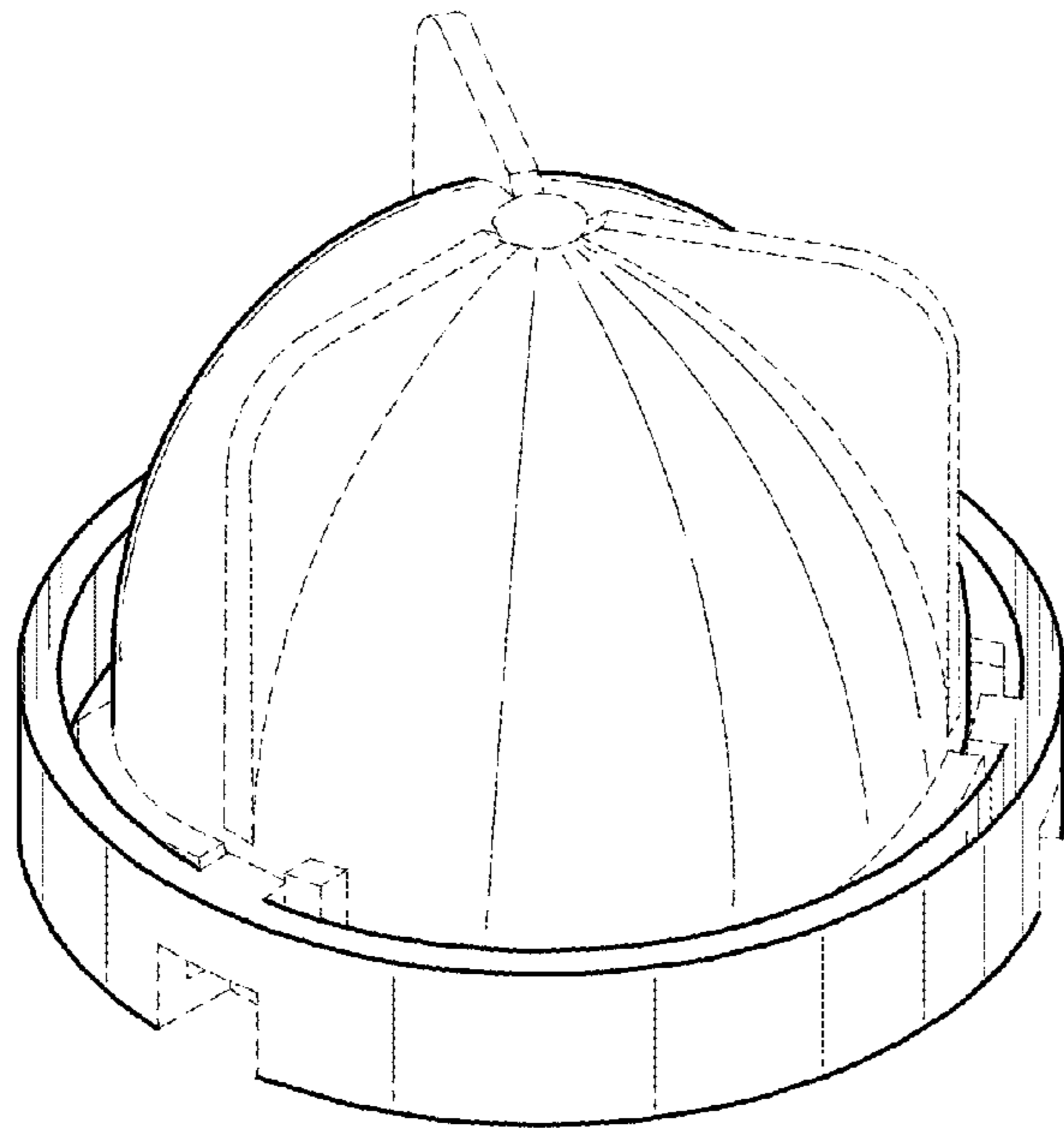


FIG. 1

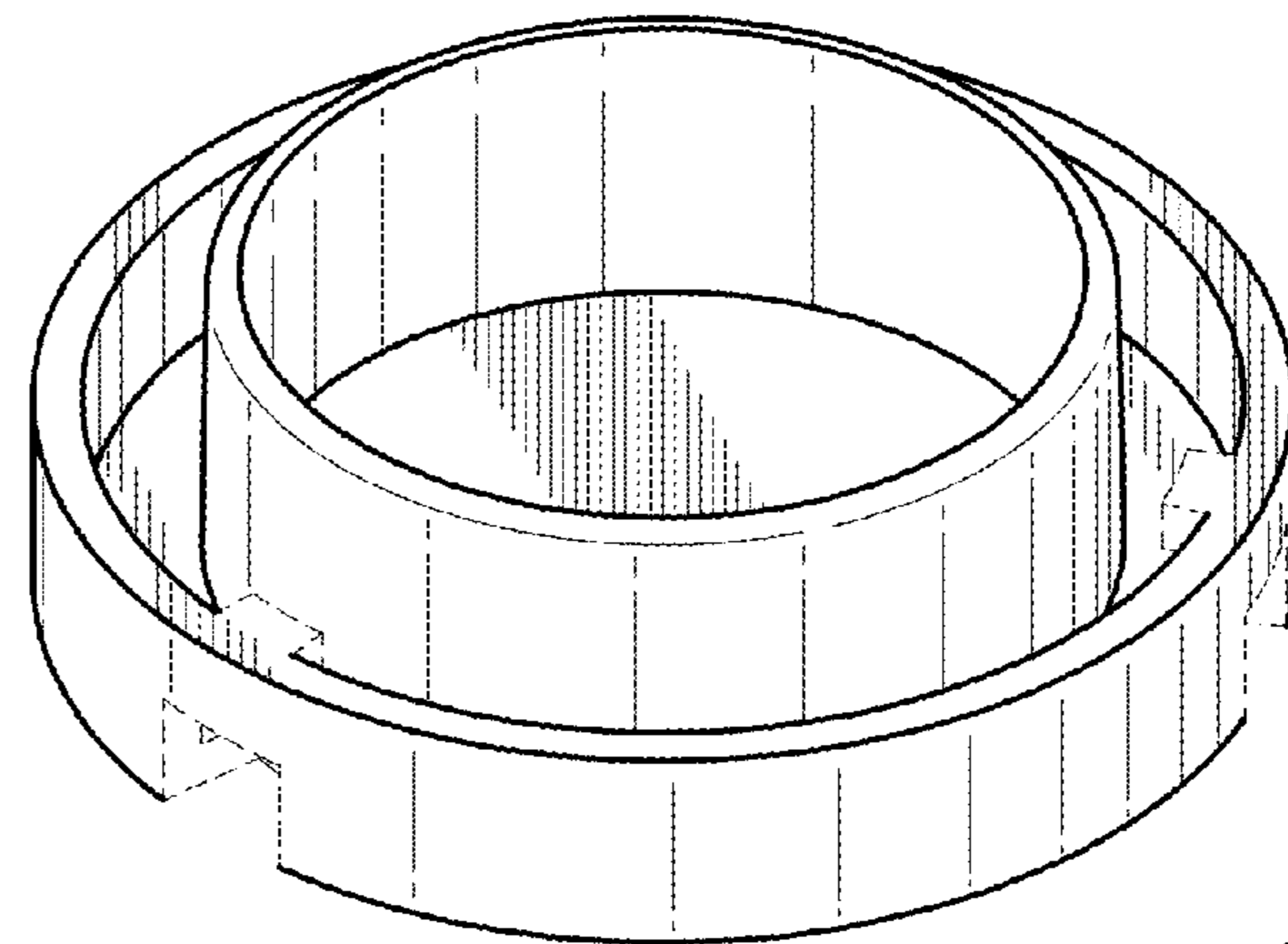
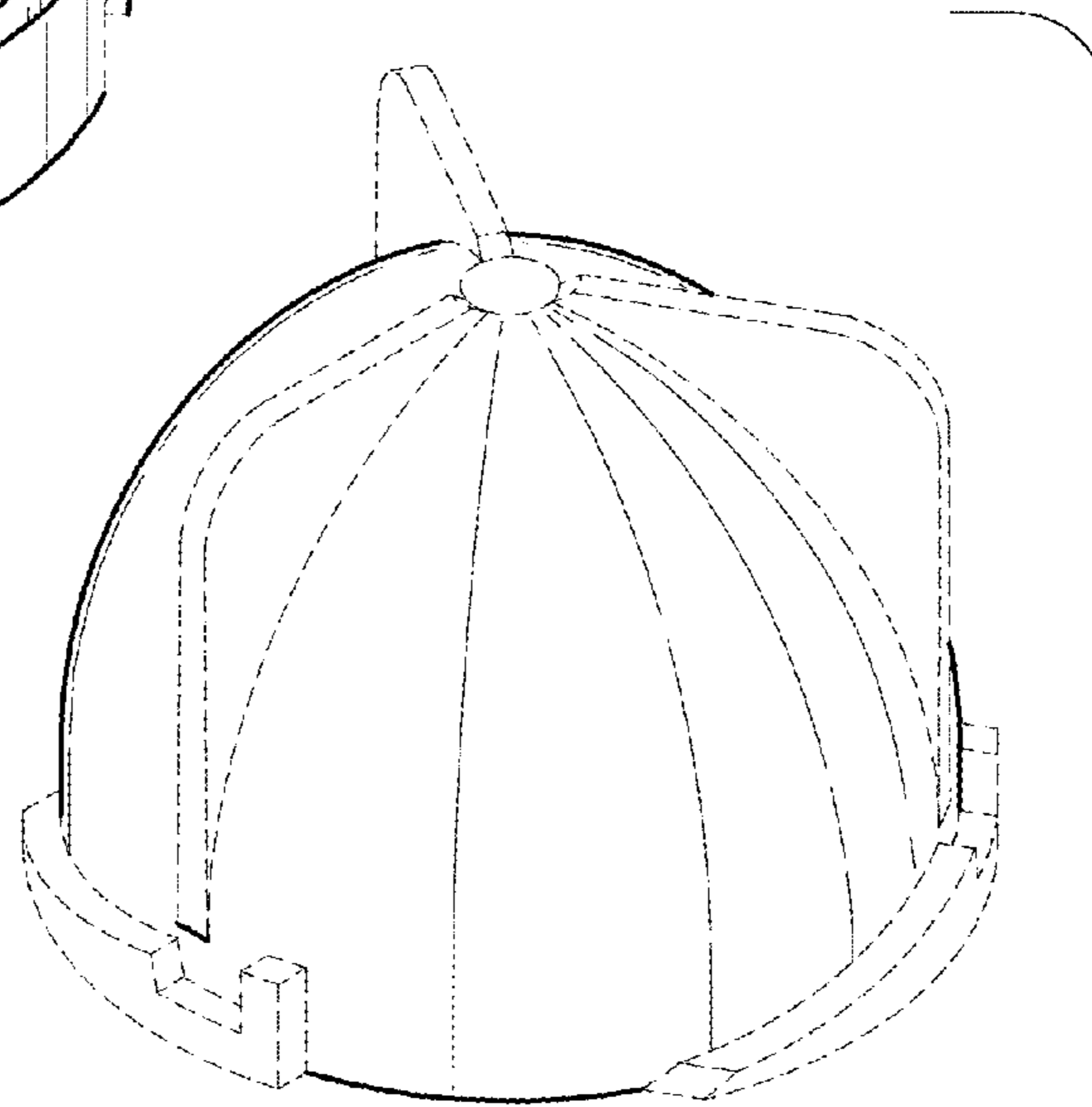


FIG. 2

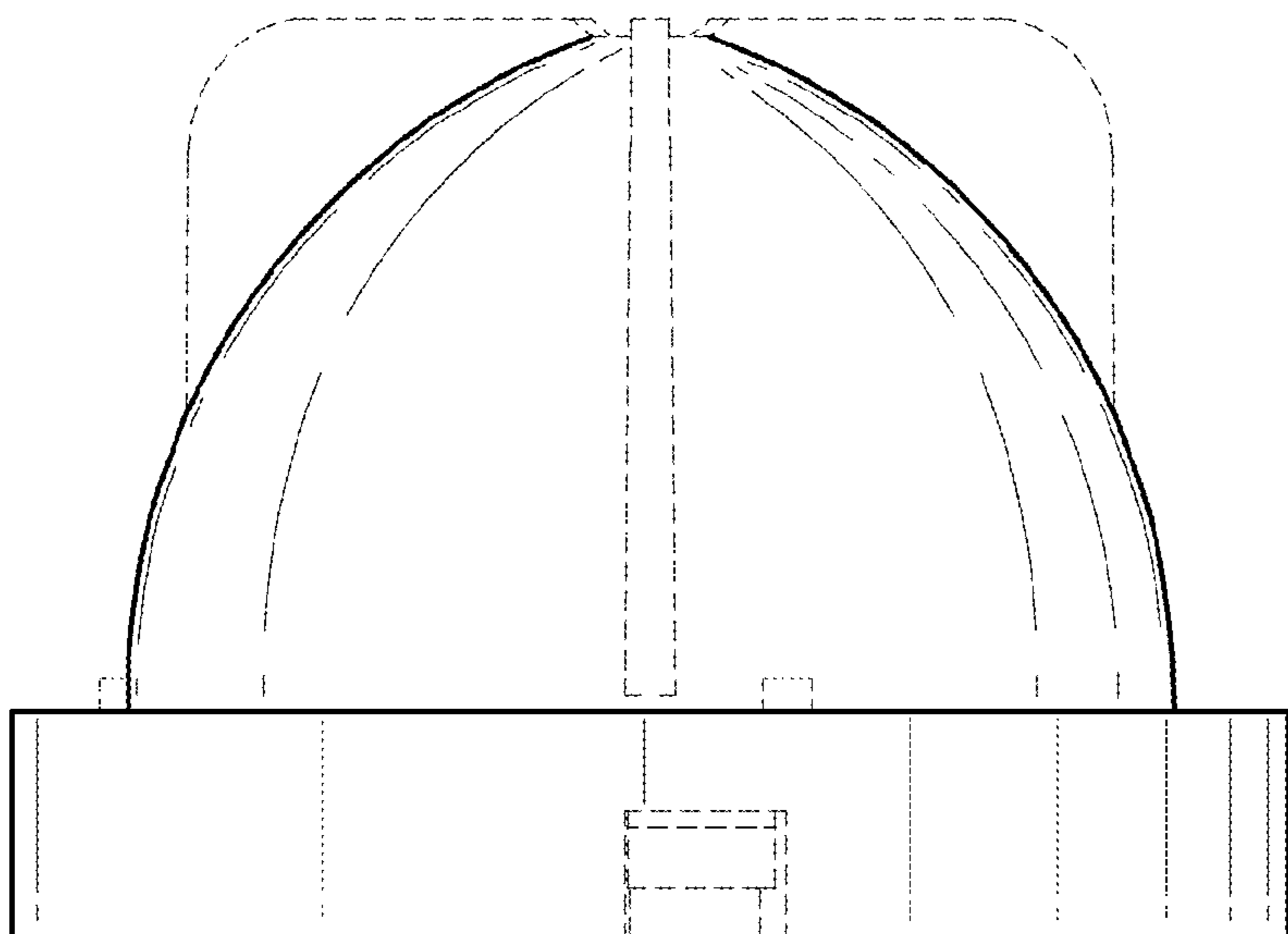


FIG. 3

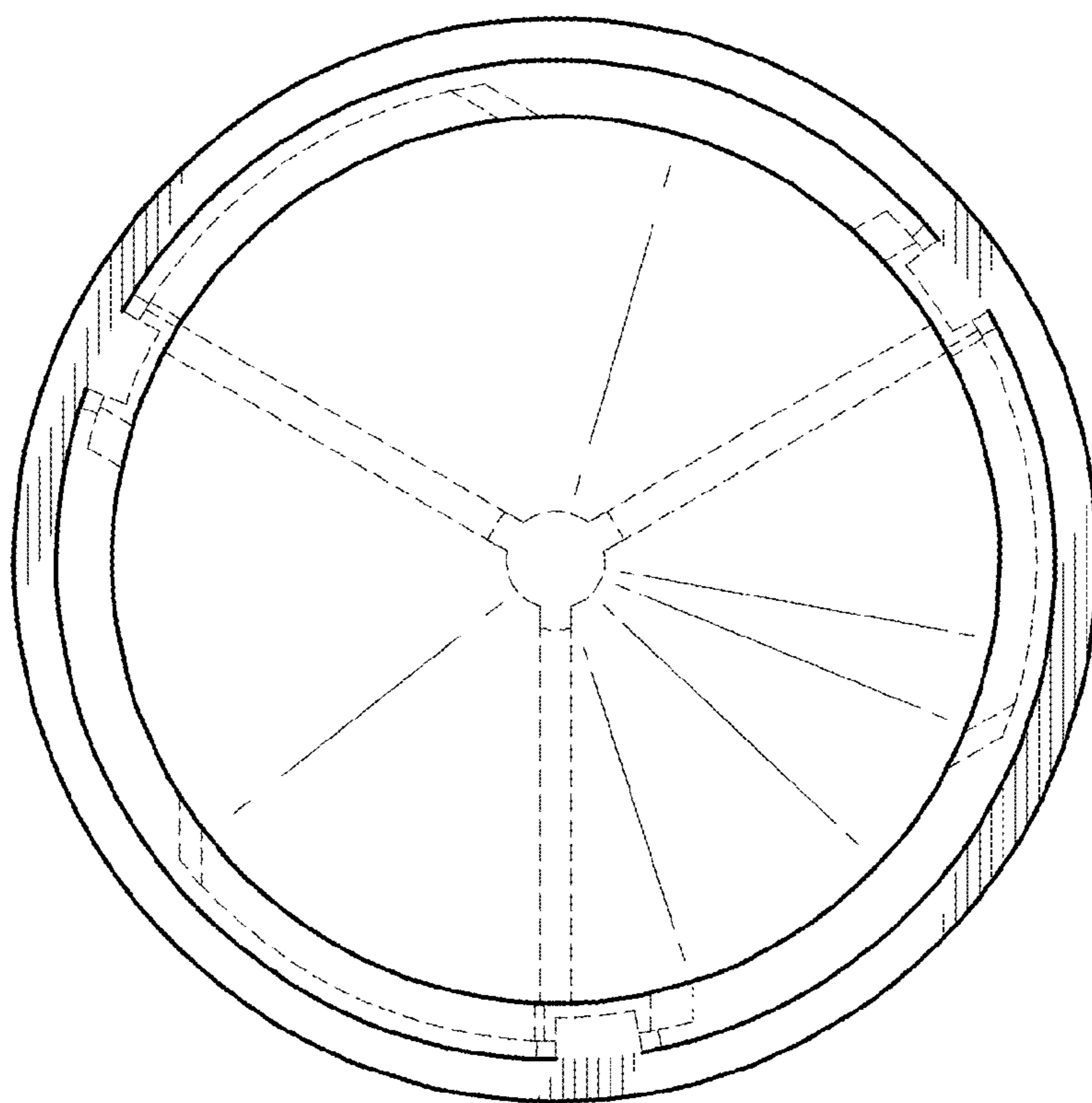


FIG. 4

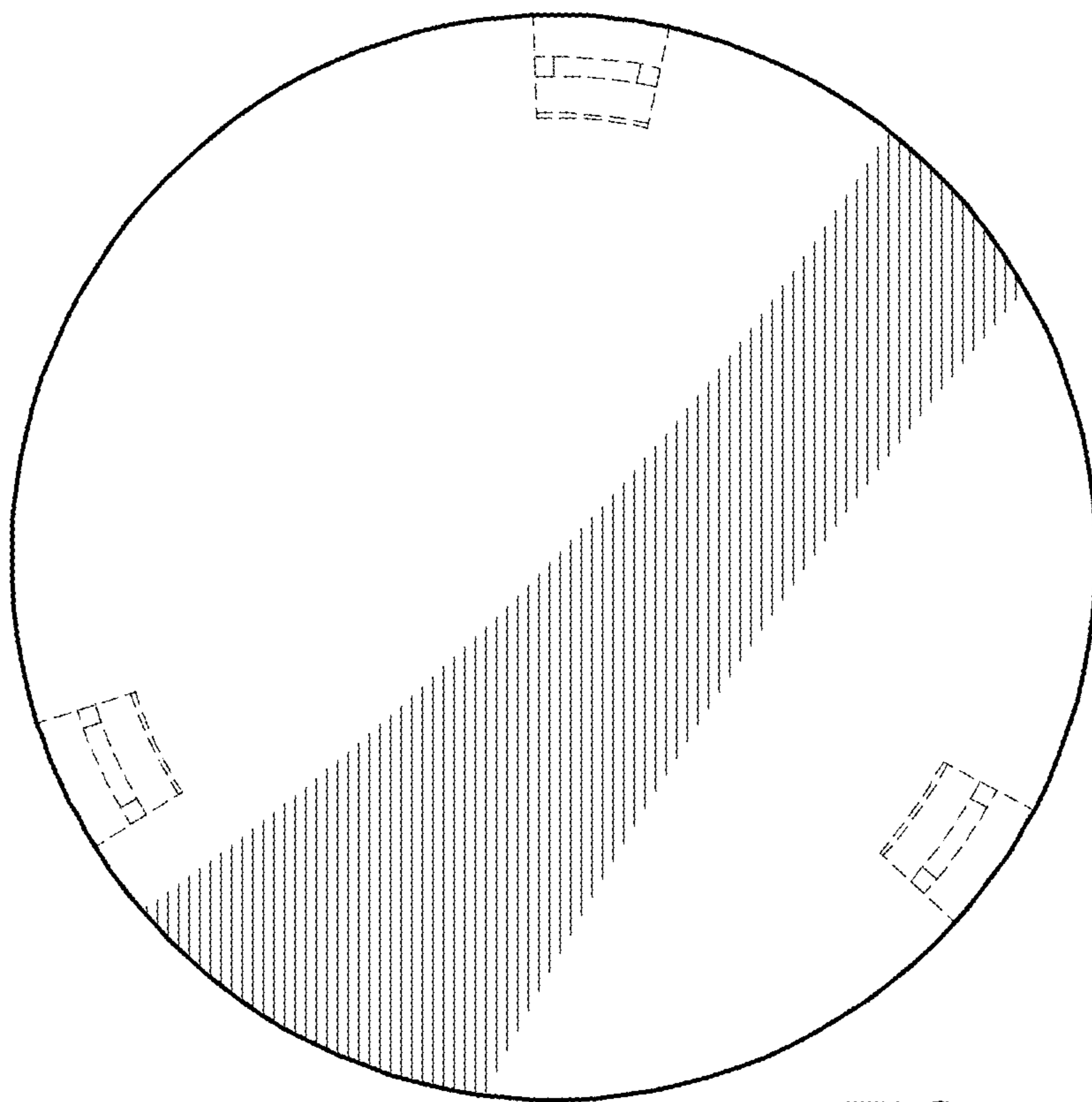


FIG. 5

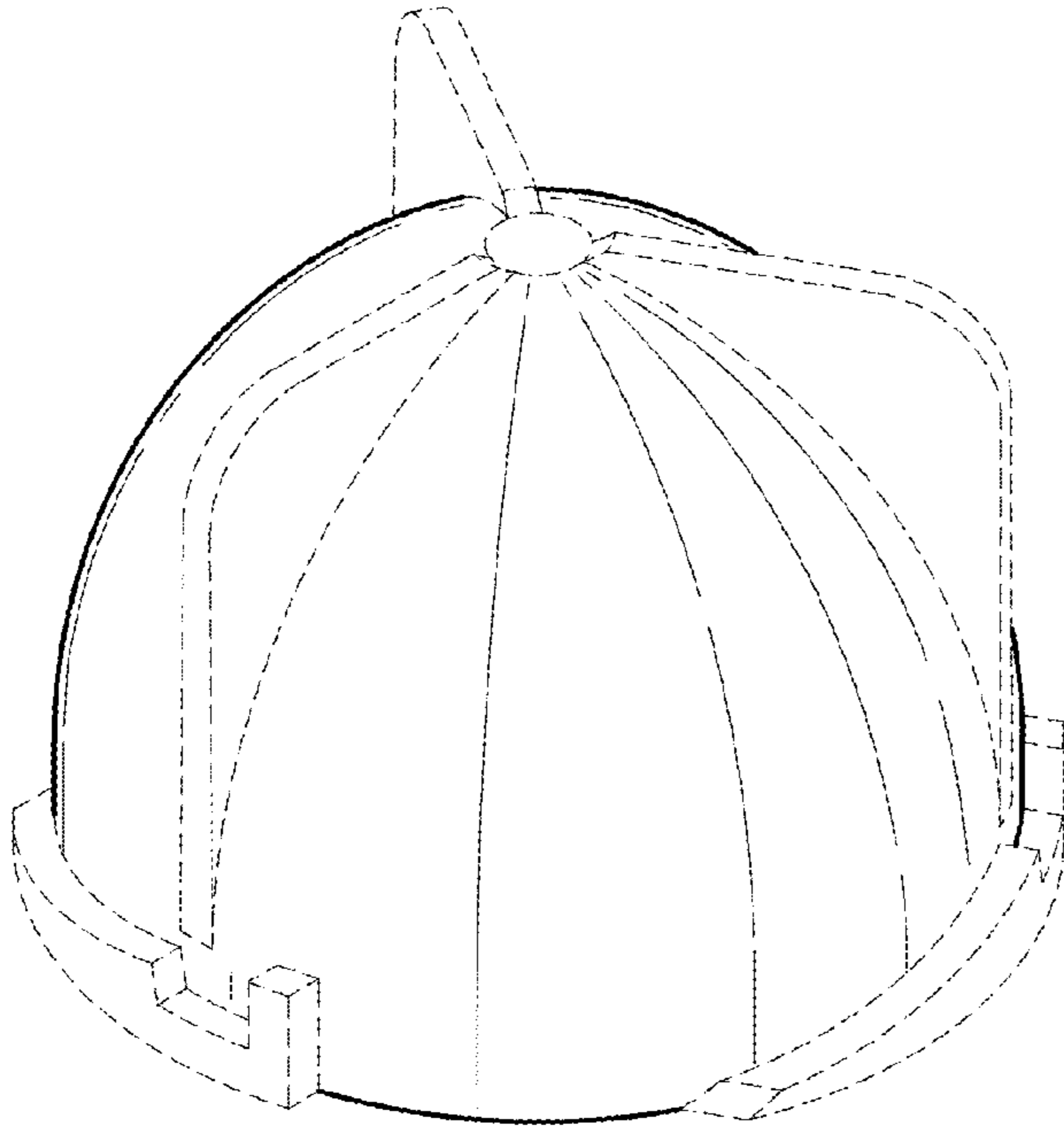


FIG. 6

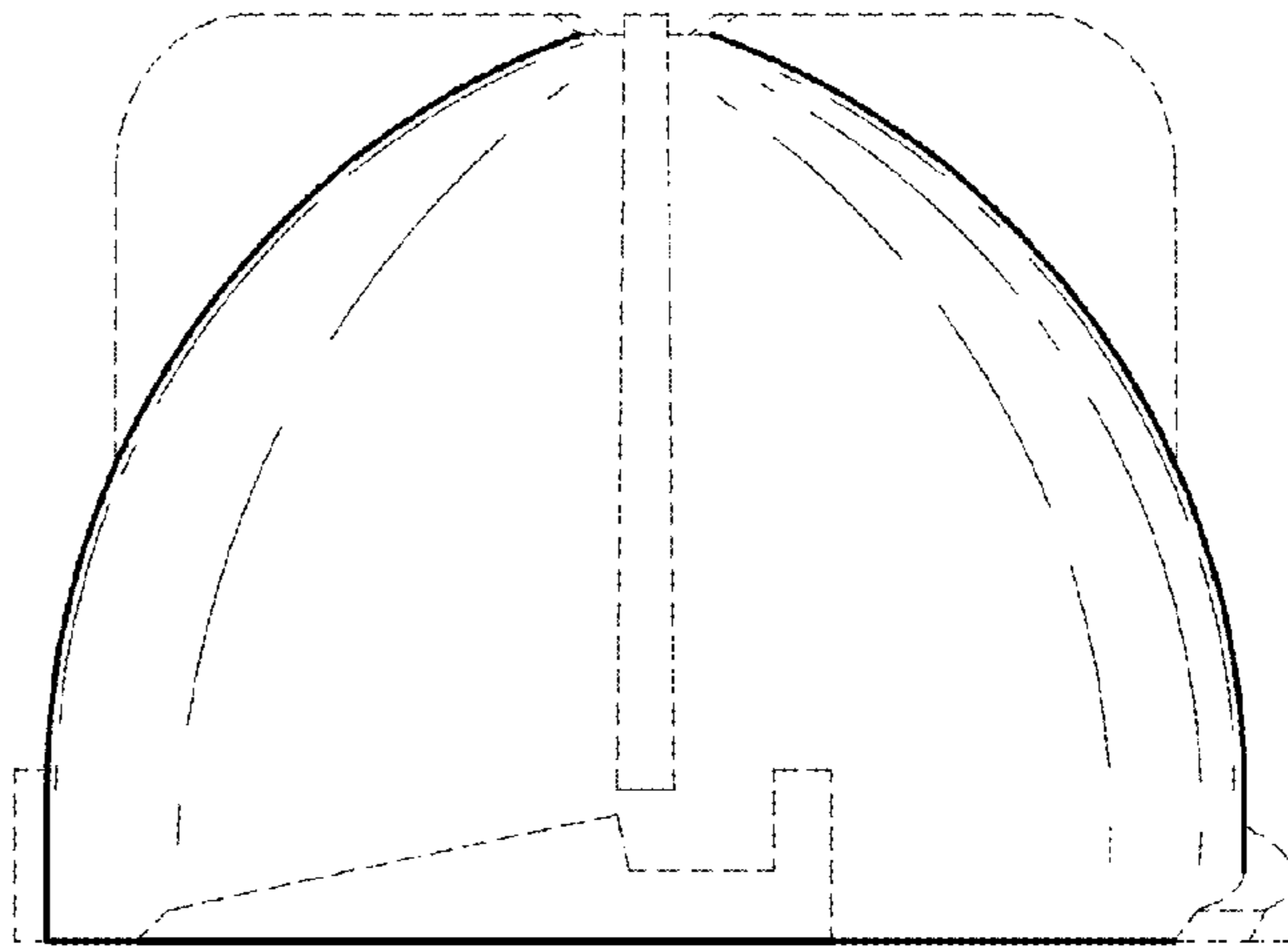


FIG. 7

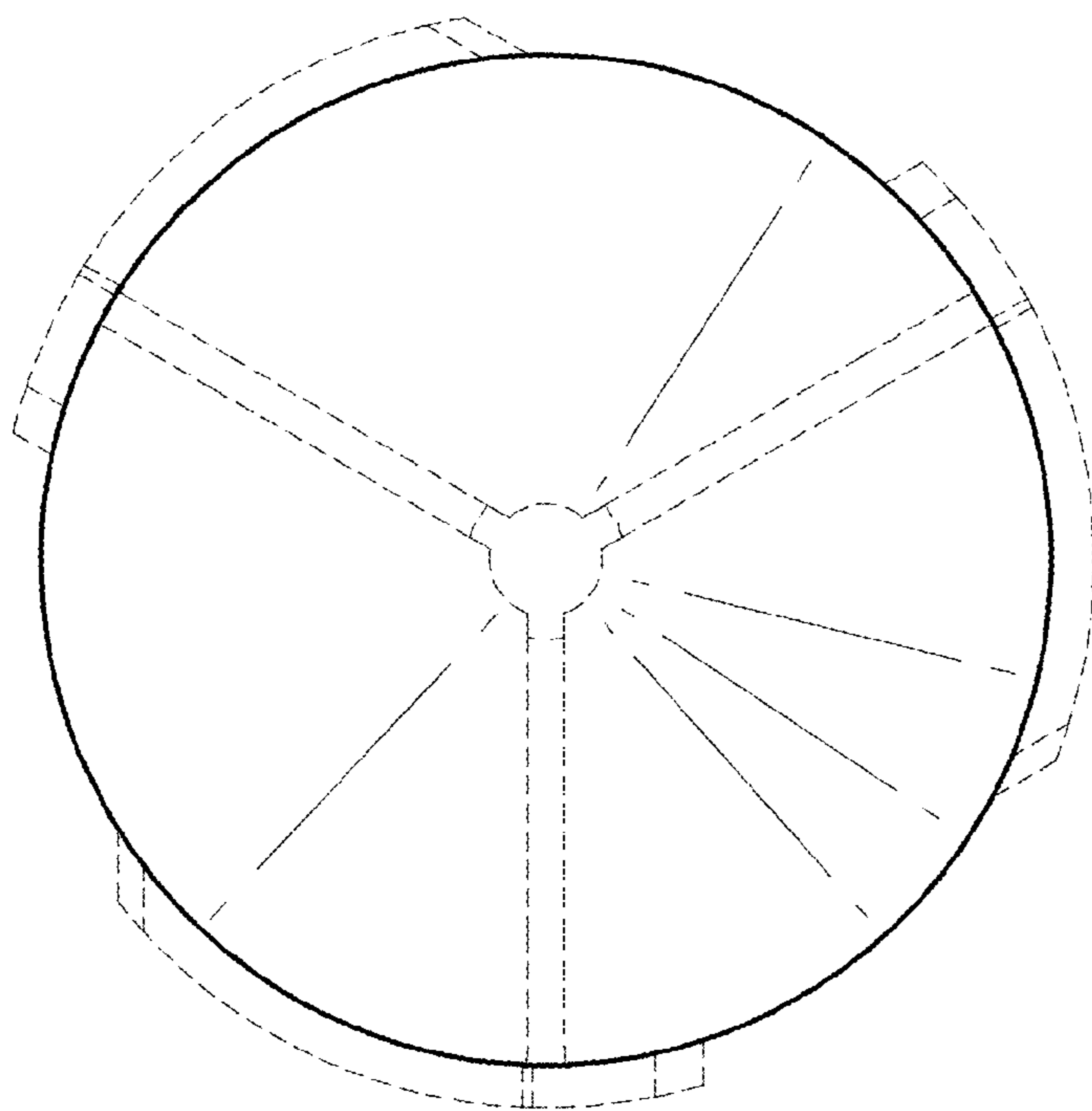


FIG. 8

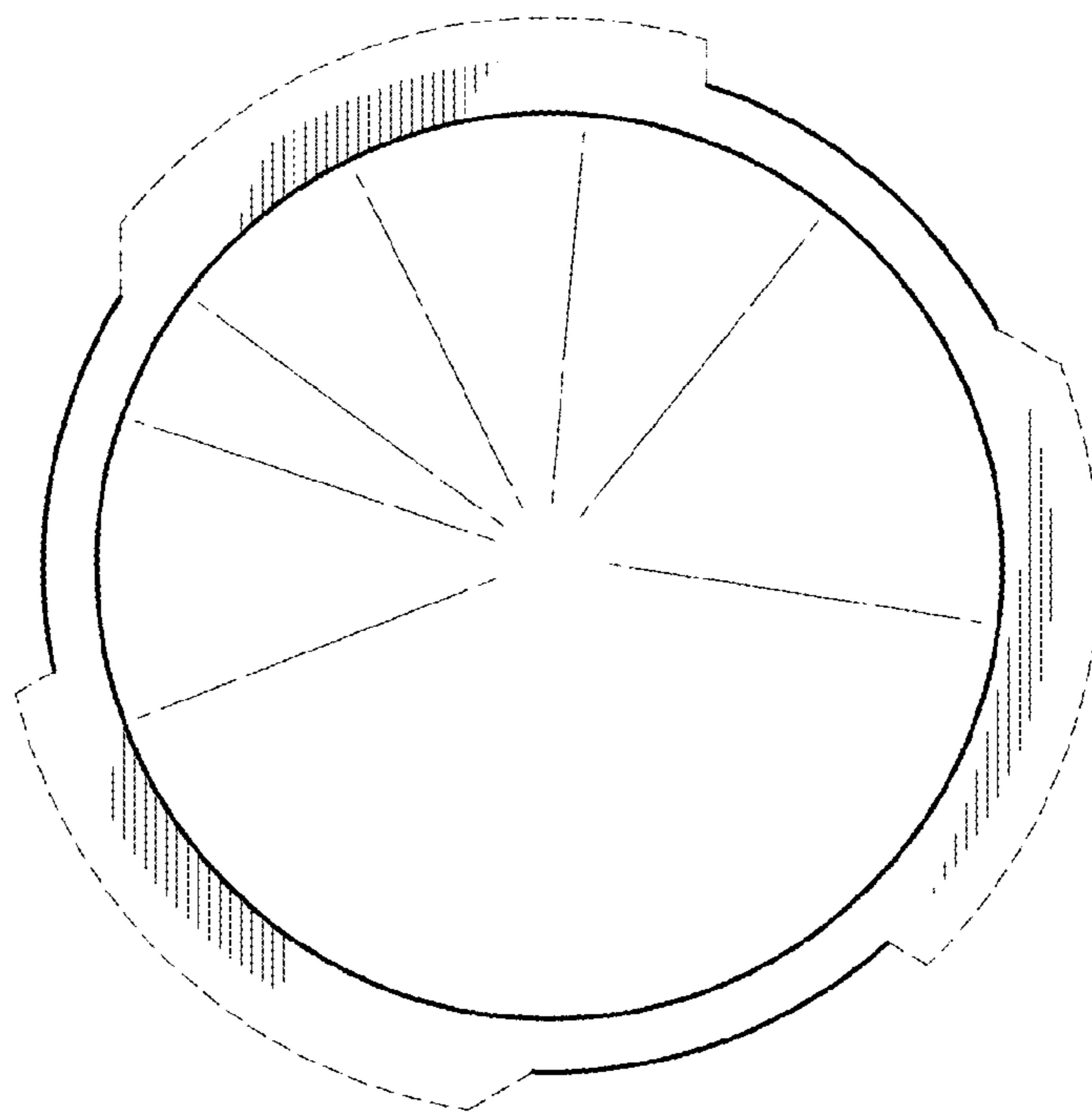


FIG. 9

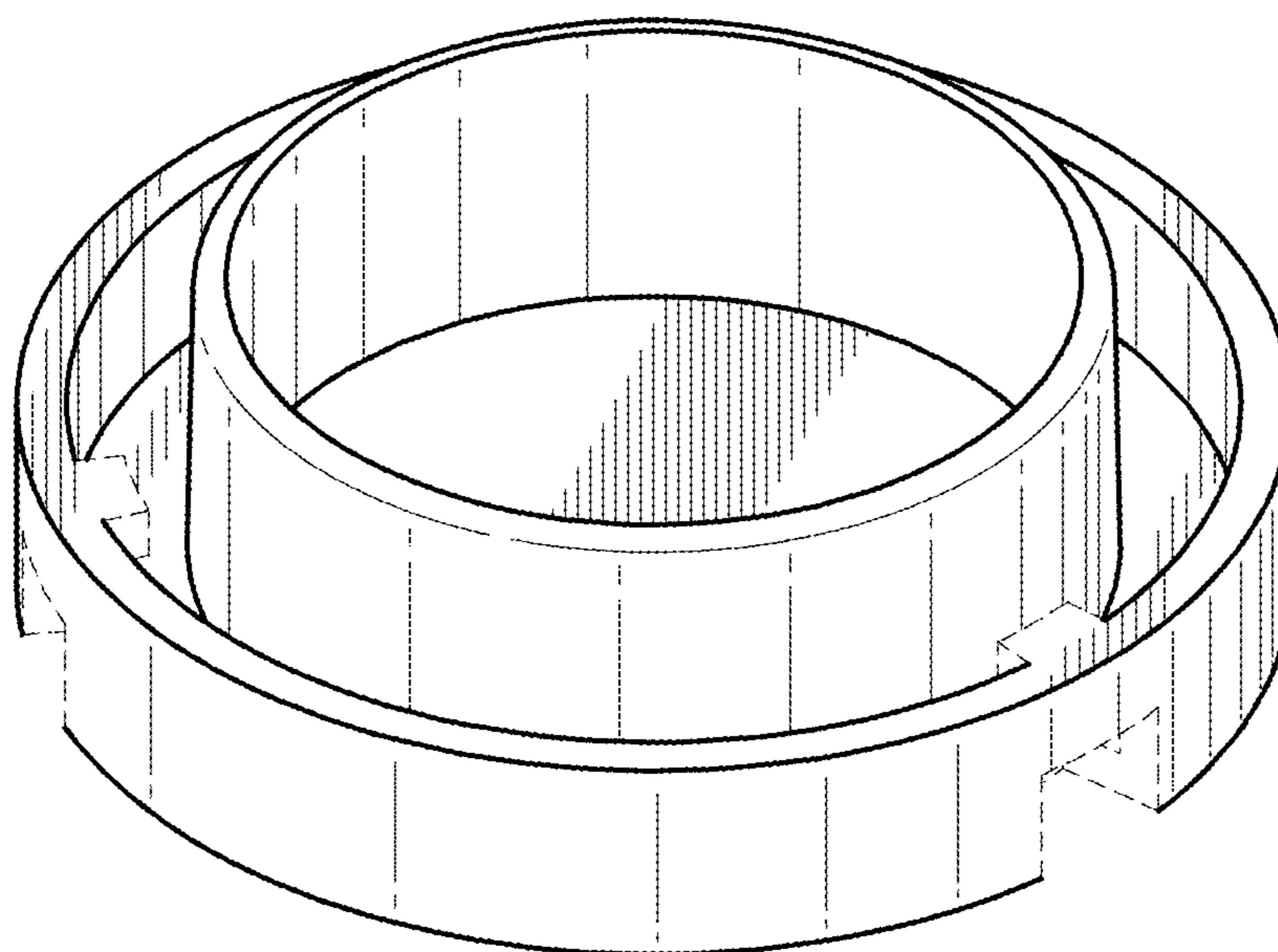


FIG. 10

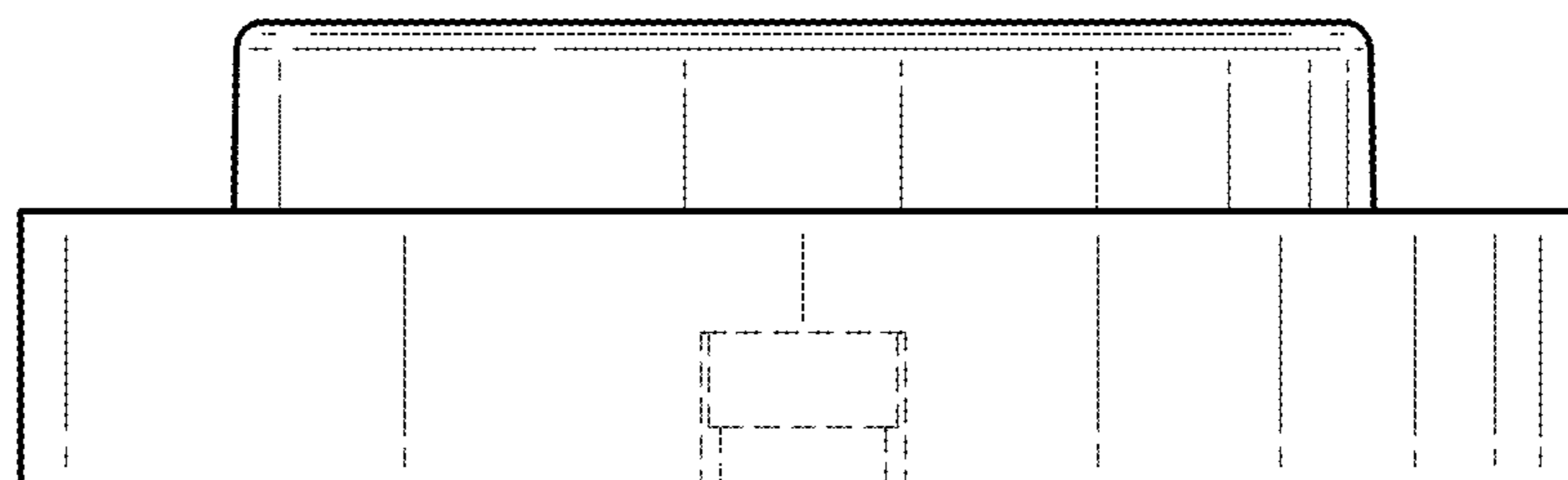


FIG. 11

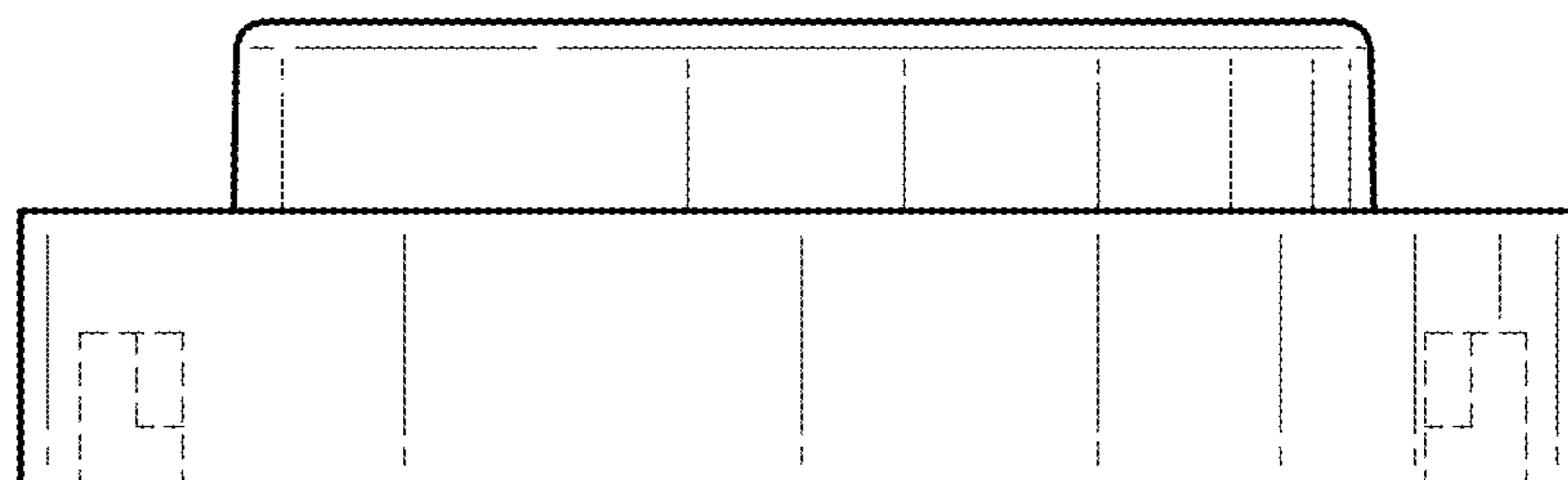


FIG. 12

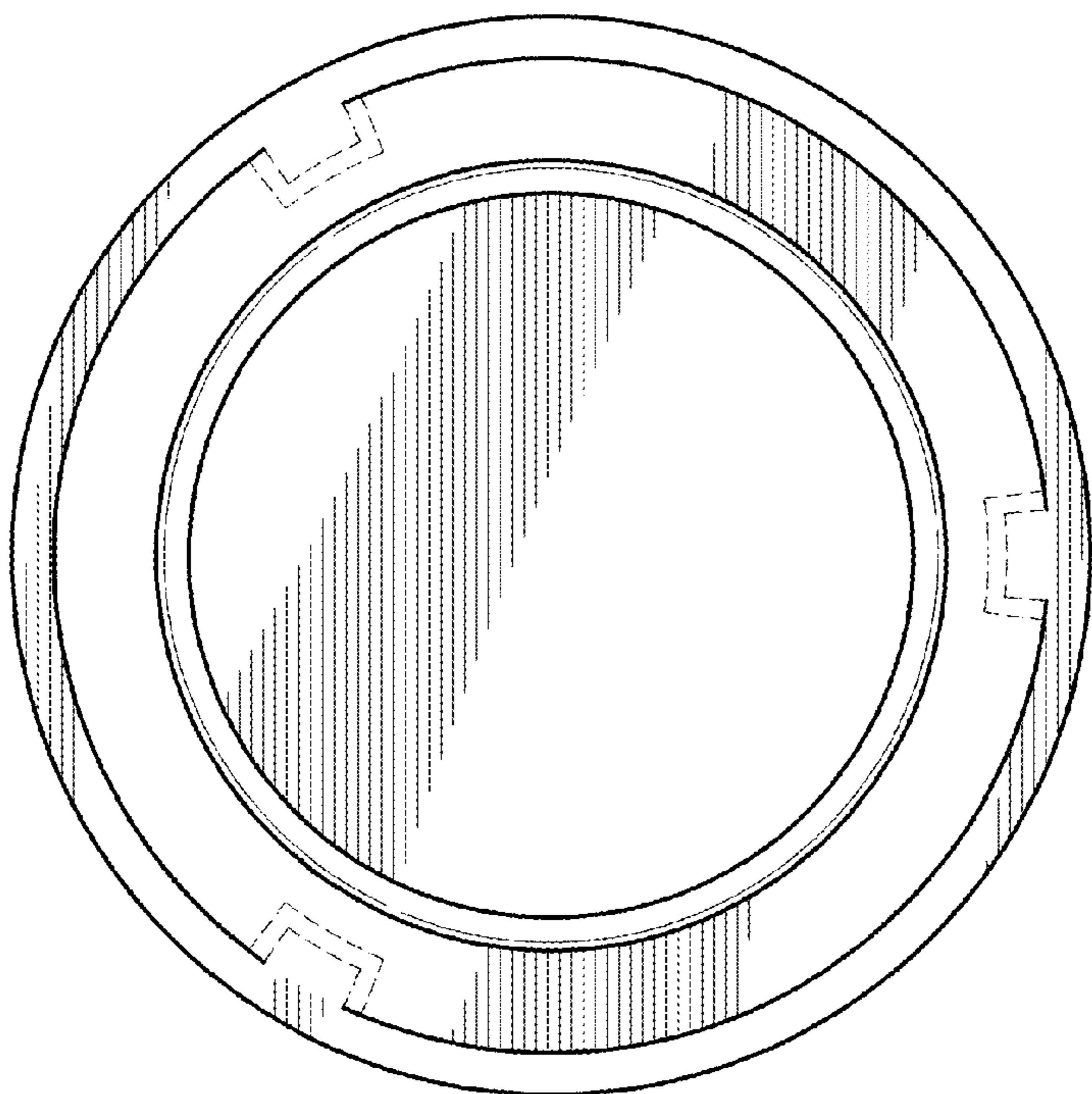


FIG. 13

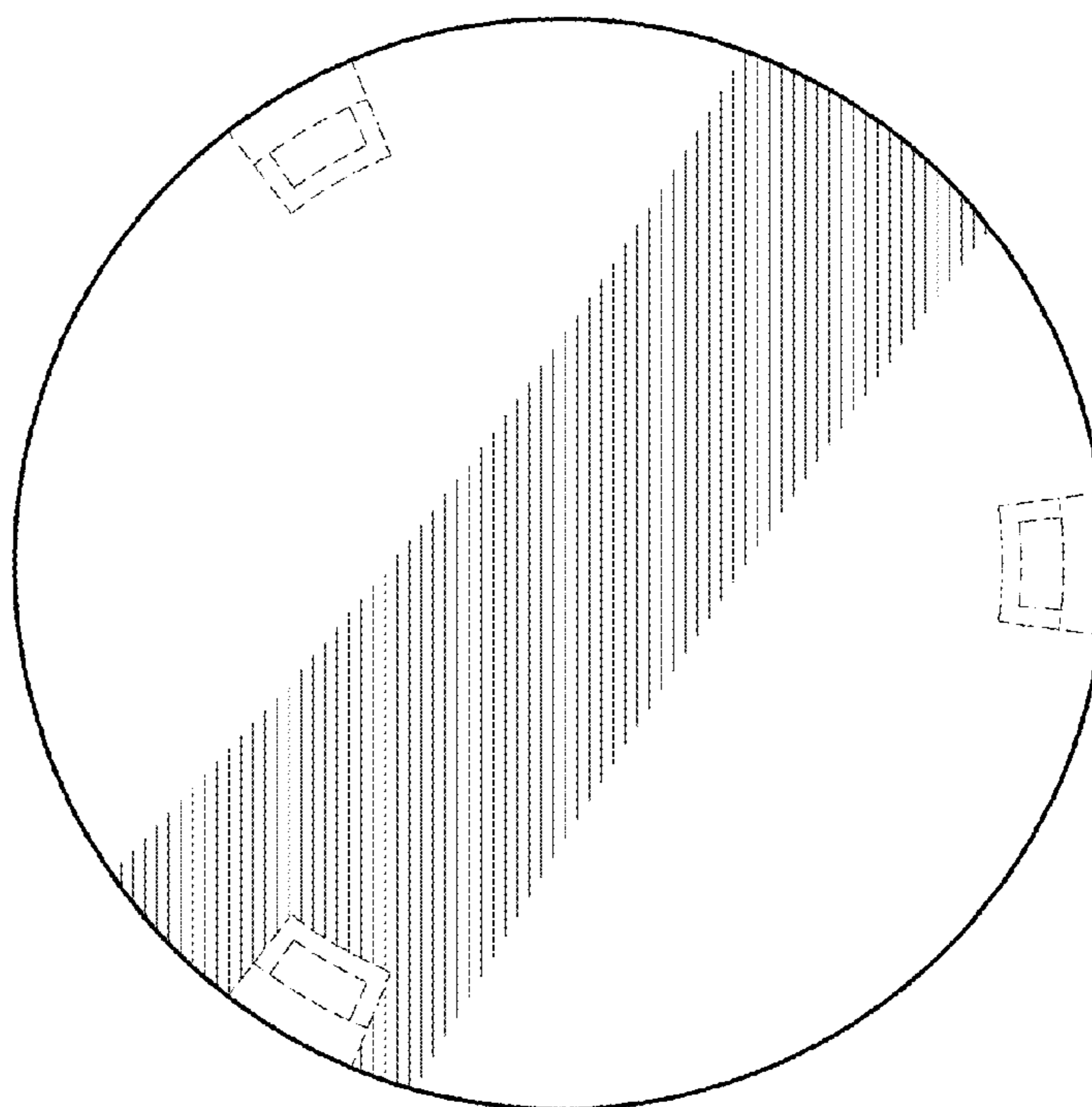


FIG. 14