



US00D732820S

(12) **United States Design Patent**
Ghoulmore

(10) **Patent No.:** **US D732,820 S**
(45) **Date of Patent:** **** Jun. 30, 2015**

(54) **COFFIN PURSE BAG**

D619,805 S * 7/2010 Leung D3/238
D659,942 S * 5/2012 Tretchell D99/1
D675,820 S * 2/2013 Campanella et al. D3/238

(71) Applicant: **Ash Ghoulmore**, Los Angeles, CA (US)

* cited by examiner

(72) Inventor: **Ash Ghoulmore**, Los Angeles, CA (US)

Primary Examiner — Holly Baynham

(**) Term: **14 Years**

(74) *Attorney, Agent, or Firm* — Patent Law Agency, LLC;
Peter Ganjian

(21) Appl. No.: **29/445,821**

(57) **CLAIM**

(22) Filed: **Feb. 16, 2013**

The ornamental design for a coffin purse bag, as shown and described.

(51) **LOC (10) Cl.** **03-01**

(52) **U.S. Cl.**
USPC **D3/234; D3/238**

DESCRIPTION

(58) **Field of Classification Search**
USPC D3/234, 238; 150/100, 103–110,
150/113–114, 117–119
CPC A45C 1/024; A45C 3/06
See application file for complete search history.

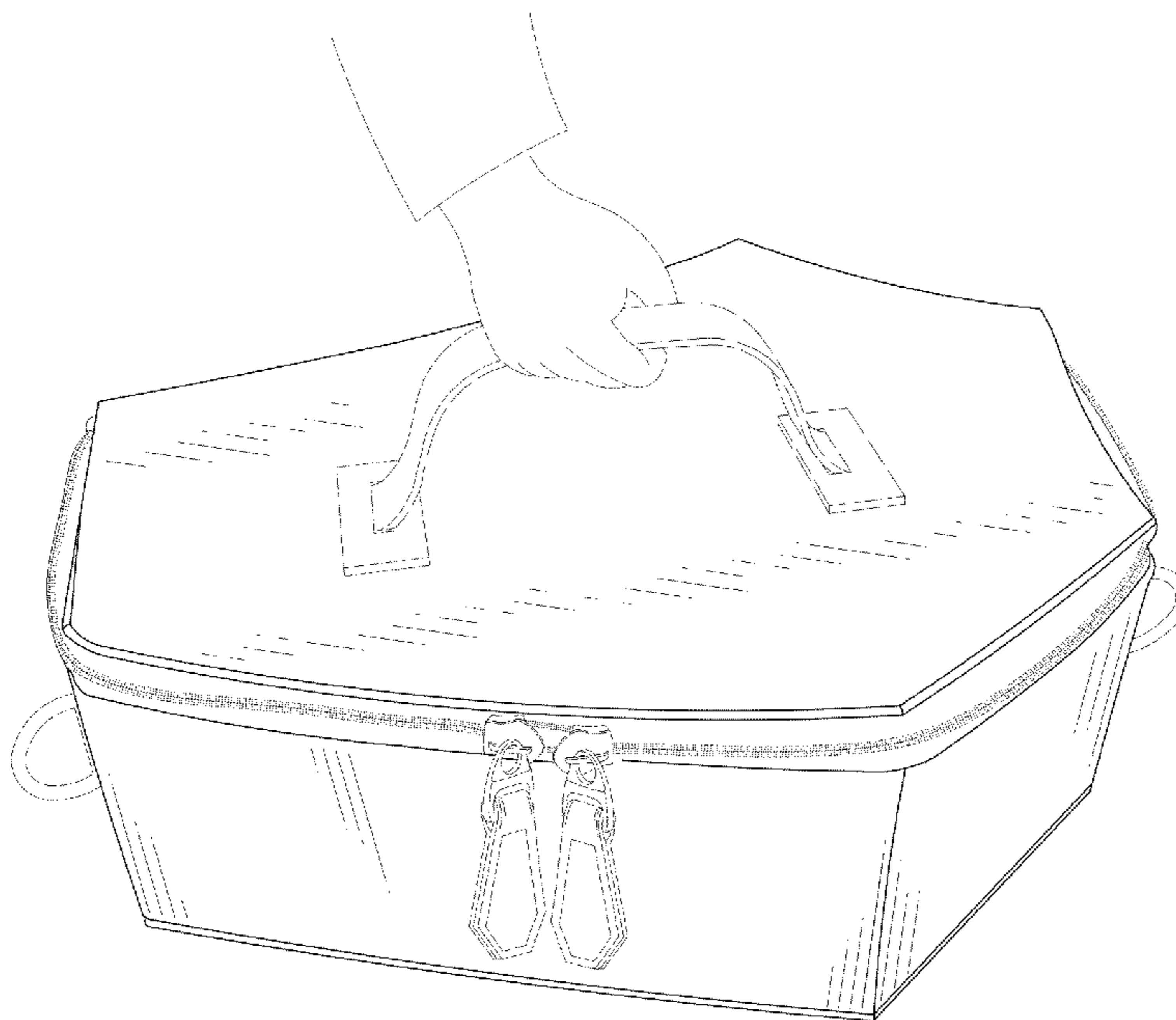
FIG. 1 is a top-front perspective view of a coffin purse bag showing my design;
FIG. 2 is a top-side perspective view of the coffin purse bag shown in FIG. 1;
FIG. 3 is a bottom perspective view of the coffin purse bag shown in FIG. 1;
FIG. 4 is a first top-side perspective view of the interior of the coffin purse bag shown in FIG. 1;
FIG. 5 is a second top-side perspective view of the interior of the coffin purse bag shown in FIG. 1; and,
FIG. 6 is close-up side perspective view of the coffin purse bag shown in FIG. 1.
The portions of the design in broken-line are for the purpose of illustrating the environment only and form no part of the claimed design.

(56) **References Cited**

U.S. PATENT DOCUMENTS

D253,203 S * 10/1979 Hatcher D3/238
D401,761 S * 12/1998 Sandmann et al. D3/238
D404,912 S * 2/1999 Addi D3/238
D407,179 S * 3/1999 Curtis D99/1
D419,260 S * 1/2000 Manzo, Jr. D27/188
D531,780 S * 11/2006 Nutting D99/3
D551,425 S * 9/2007 Layle D99/7
D551,825 S * 9/2007 Nutting et al. D99/3
D583,557 S * 12/2008 Siegel et al. D3/234

1 Claim, 6 Drawing Sheets



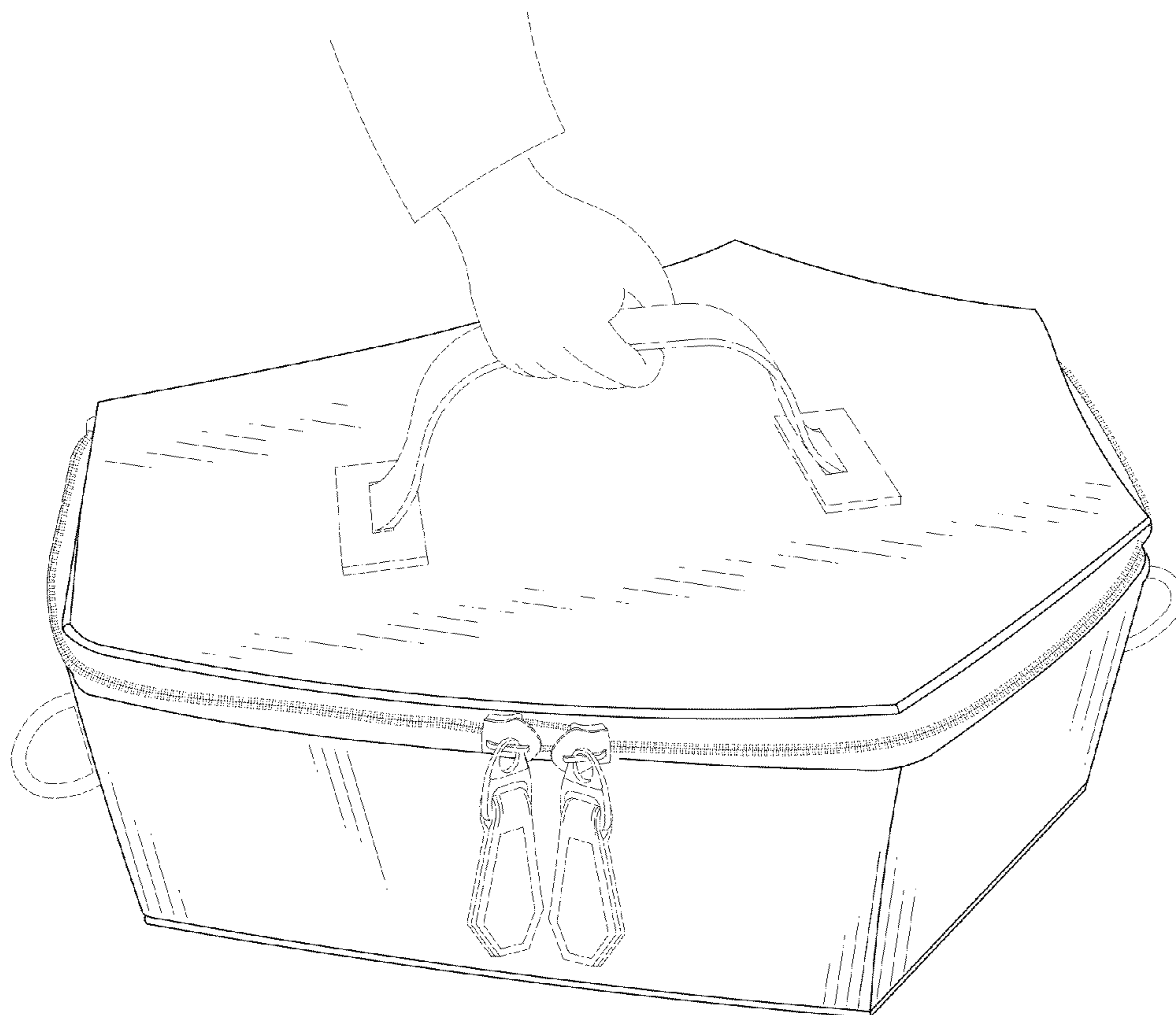


FIG. 1

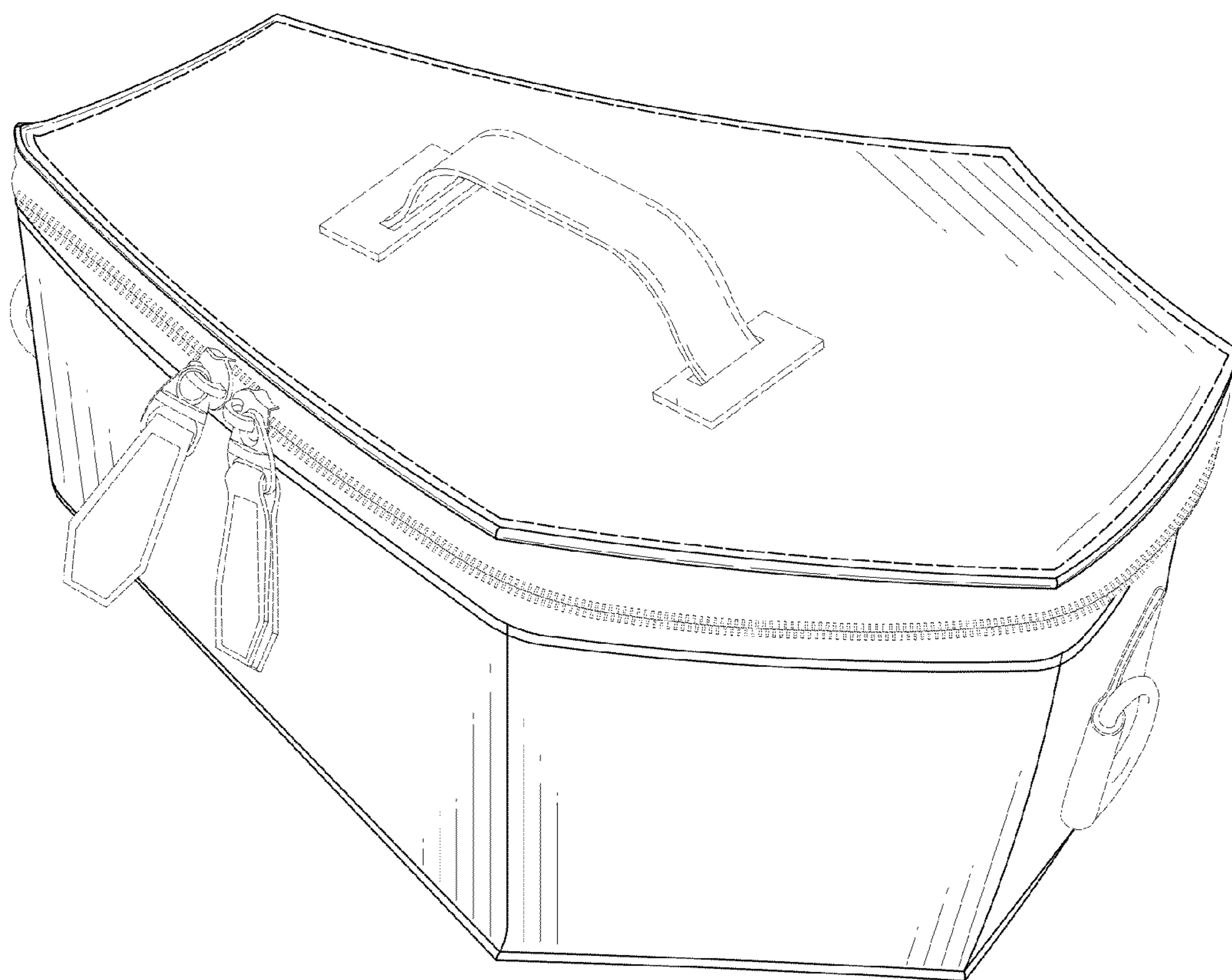


FIG. 2

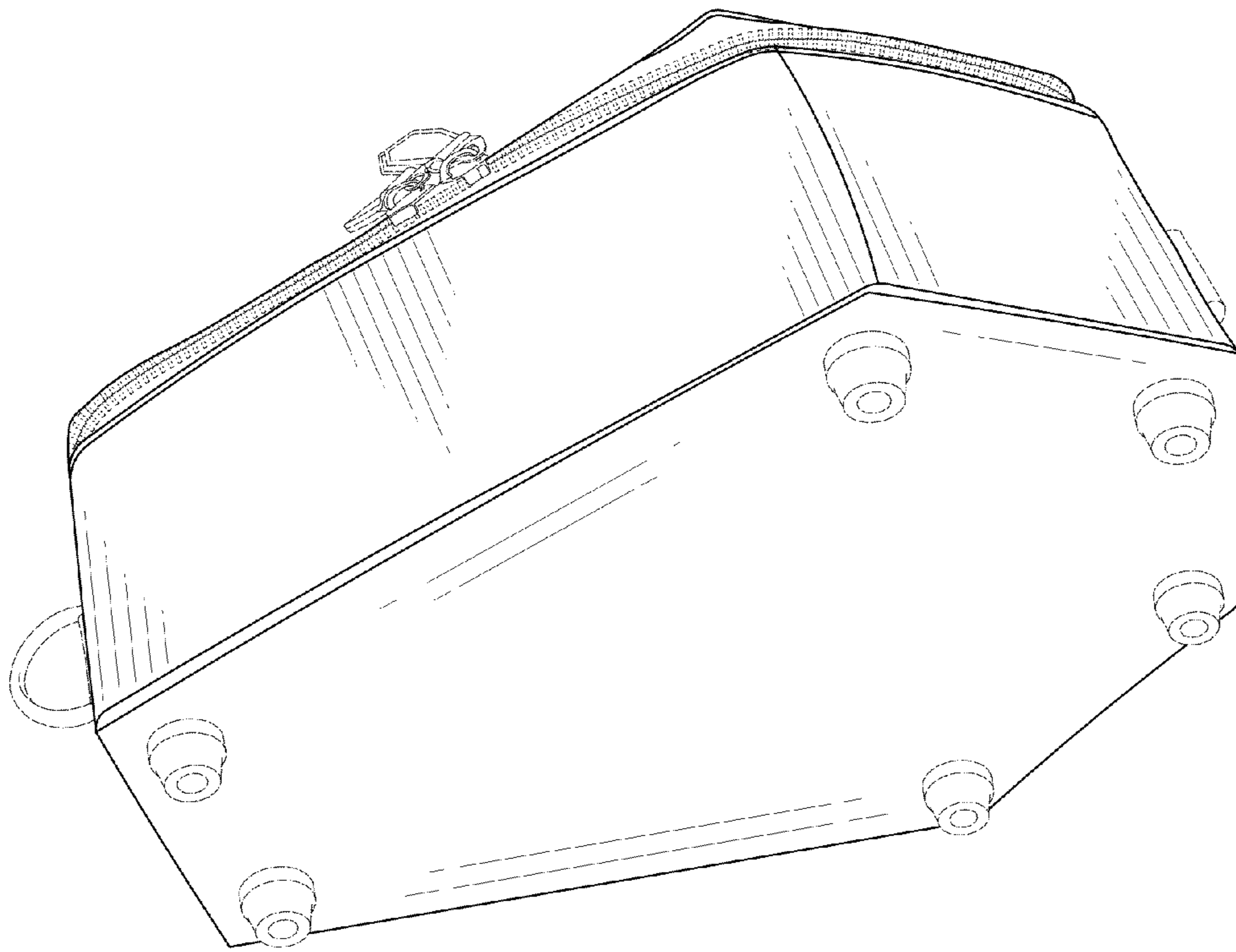


FIG. 3

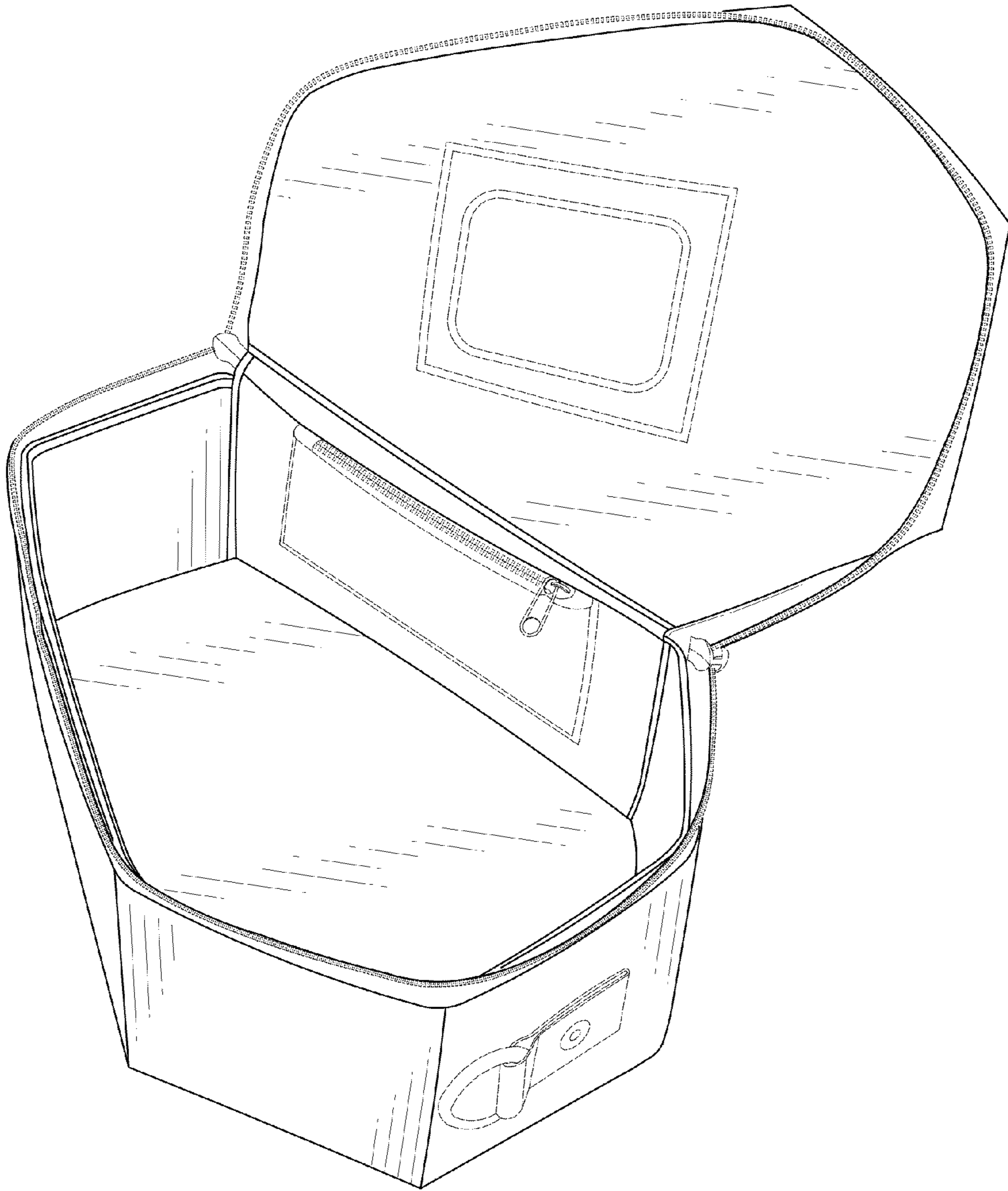


FIG. 4

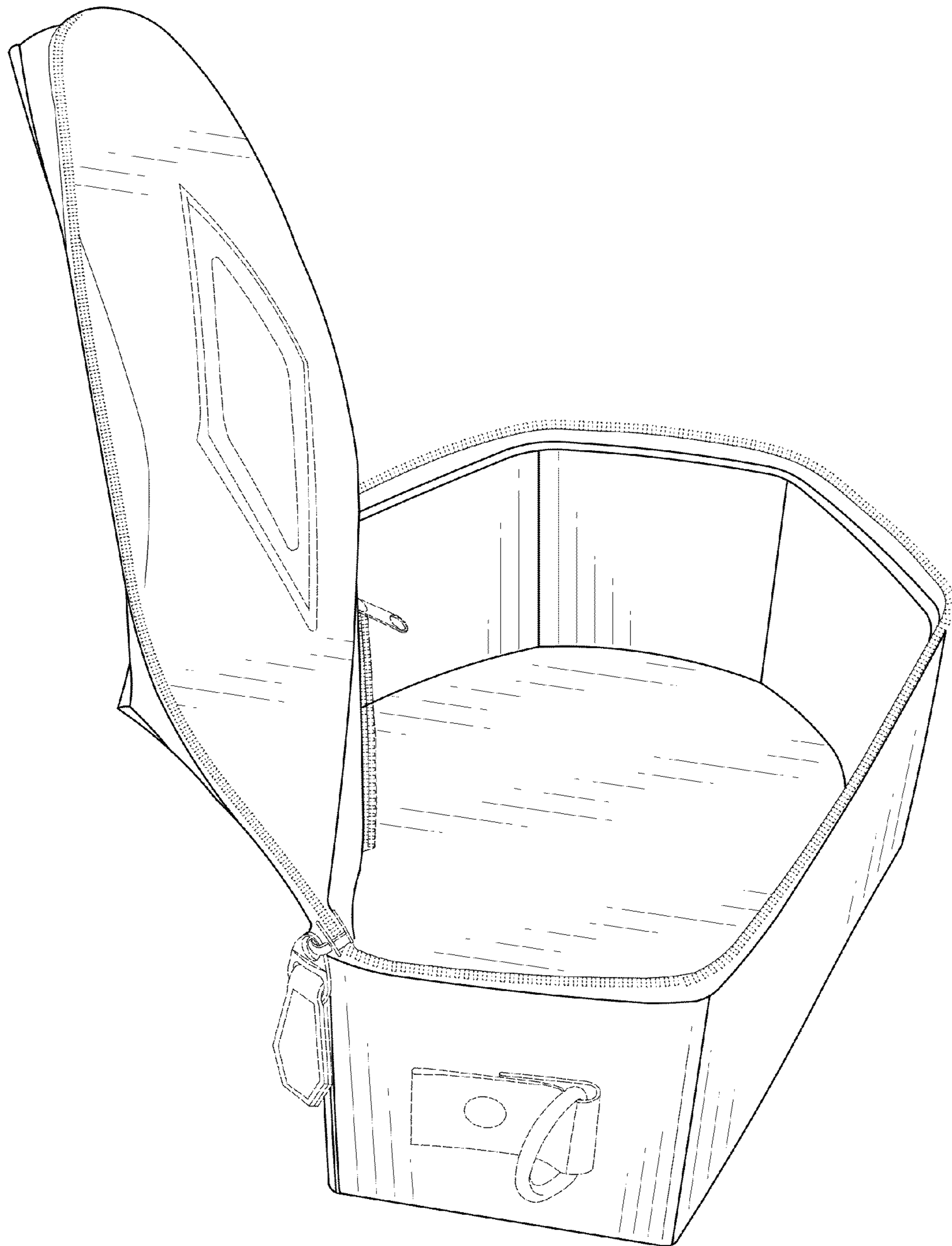


FIG. 5

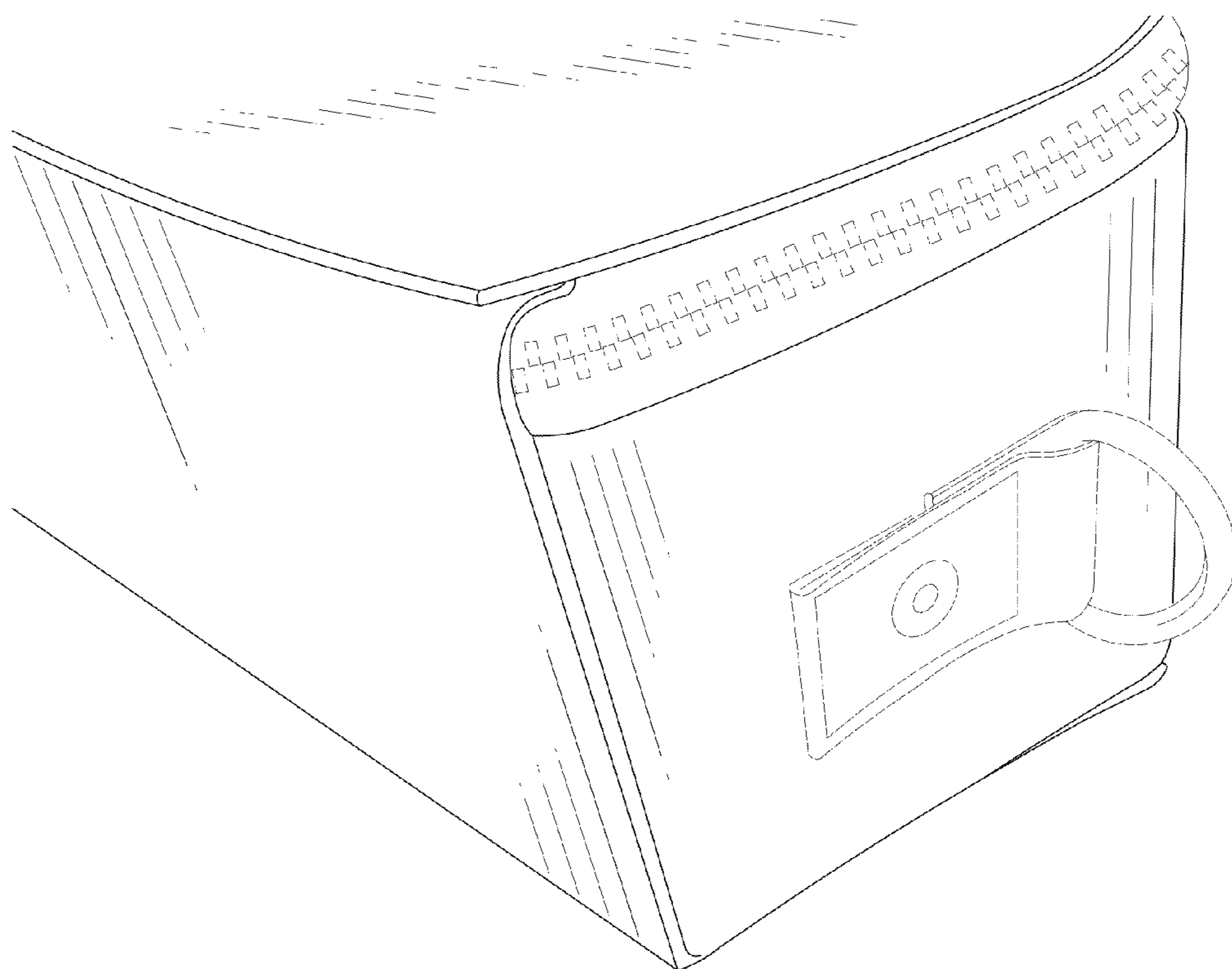


FIG. 6