



US00D732817S

(12) **United States Design Patent**  
**Elstow et al.**

(10) **Patent No.:** **US D732,817 S**  
(45) **Date of Patent:** **\*\* Jun. 30, 2015**

(54) **PARASOL STAND**

8,632,045 B2 \* 1/2014 Ma ..... 248/519  
D709,687 S \* 7/2014 Haydon et al. .... D3/10  
2005/0189005 A1 \* 9/2005 Smith et al. .... 135/16

(71) Applicants: **Corinne Elizabeth Elstow**,  
Fordingbridge (GB); **Astrid Frances**  
**Marie Haydon**, Fordingbridge (GB)

FOREIGN PATENT DOCUMENTS

(72) Inventors: **Corinne Elizabeth Elstow**,  
Fordingbridge (GB); **Astrid Frances**  
**Marie Haydon**, Fordingbridge (GB)

CN 3441708 \* 4/2005

(\*\*) Term: **14 Years**

OTHER PUBLICATIONS

(21) Appl. No.: **29/467,342**

Parasol Base: announced Sep. 15, 2010 [online], [site visited Jan. 23, 2015]. Available from Internet URL: <http://www.gardenparasol.co.uk/shop/parasol-base-concrete-37kg.html.\*

(22) Filed: **Sep. 18, 2013**

Parasol Base: announced Sep. 15, 2010 [online], [site visited Jan. 23, 2015]. Available from Internet URL: <http://www.gardenparasol.co.uk/shop/parasol-base-concrete-50kg.html.\*

(30) **Foreign Application Priority Data**

\* cited by examiner

Mar. 18, 2013 (EM) ..... 002204479-0002

*Primary Examiner* — Cathron Brooks

(51) **LOC (10) Cl.** ..... **03-03**

*Assistant Examiner* — Catherine Posthauer

(52) **U.S. Cl.**  
USPC ..... **D3/10**

(74) *Attorney, Agent, or Firm* — Ladas & Parry LLP

(58) **Field of Classification Search**  
USPC ..... D3/5, 10; D6/325, 326, 521, 525, 556,  
D6/708; D34/23; D11/152; 135/16;  
248/519; 280/32.5

(57) **CLAIM**

The ornamental design for a parasol stand, as shown and described.

CPC ..... E04H 15/26; E04H 15/30; E04H 15/32;  
A45B 2023/0012

**DESCRIPTION**

See application file for complete search history.

FIG. 1 is a perspective view of the parasol stand of our invention;

(56) **References Cited**

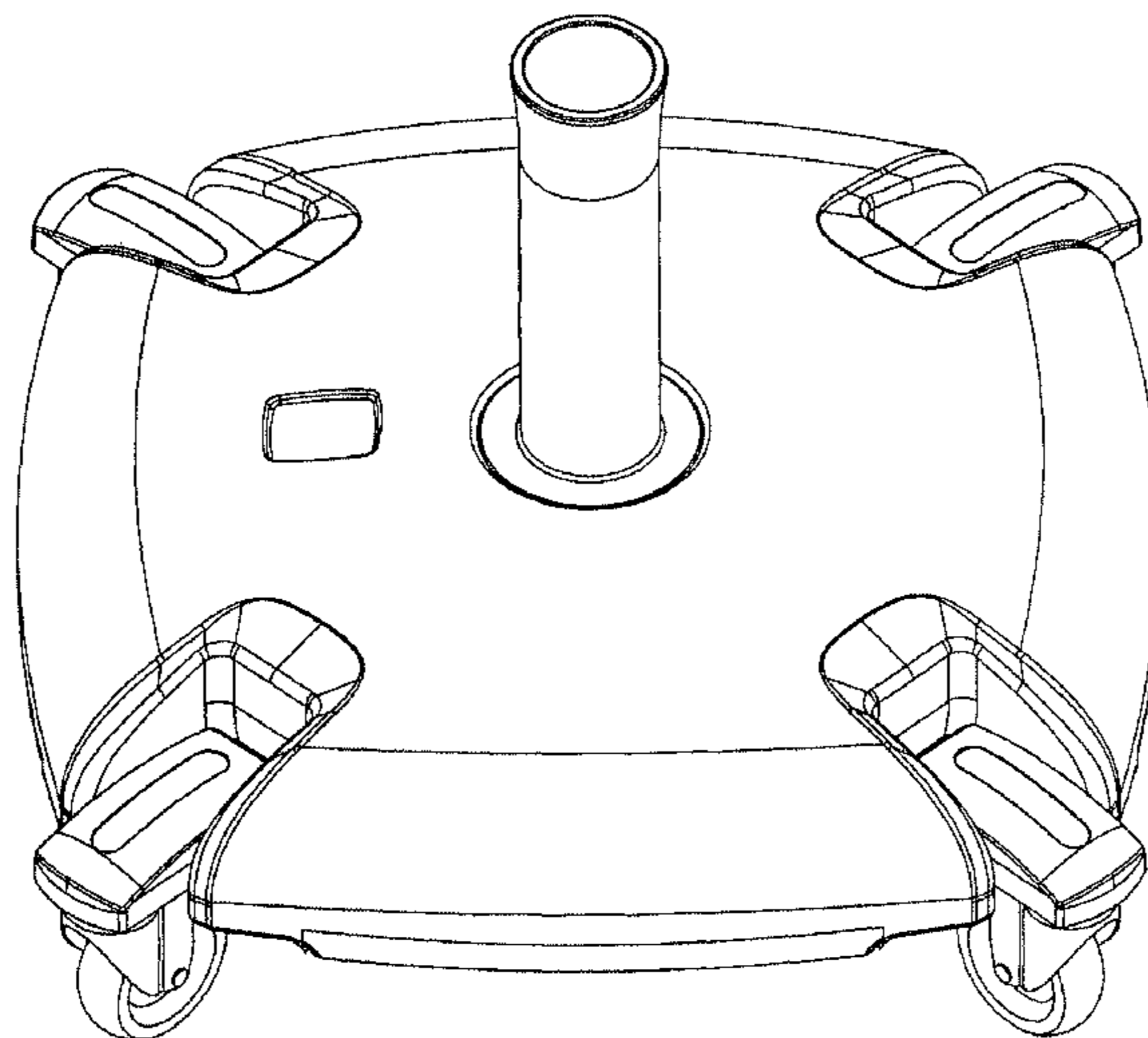
U.S. PATENT DOCUMENTS

D285,883 S \* 9/1986 Tegze ..... D6/495  
D286,962 S \* 12/1986 Ruiz ..... D6/521  
D305,702 S \* 1/1990 Taliani et al. .... D3/10  
D340,563 S \* 10/1993 Kean et al. .... D34/23  
D349,397 S \* 8/1994 Peng ..... D3/10  
D447,649 S \* 9/2001 Mason ..... D6/495  
6,446,930 B1 \* 9/2002 Li ..... 248/519  
D516,297 S \* 3/2006 Smith et al. .... D3/10  
7,347,428 B2 \* 3/2008 Edenso ..... 280/32.5  
D573,786 S \* 7/2008 Smith et al. .... D3/10

FIG. 2 is a front/side view of the parasol stand;  
FIG. 3 is a rear/opposite side view of the parasol stand;  
FIG. 4 is a top plan view of the parasol stand;  
FIG. 5 is a bottom view of the parasol stand; and,  
FIG. 6 is a perspective view of the parasol stand with the rolling base of the parasol stand shown separated from a remainder of the parasol stand.

The evenly broken lines shown indicate portions of the parasol stand and form no part of the claimed design. The dash-dot-dash broken lines define the bounds of the claimed design and form no part thereof.

**1 Claim, 6 Drawing Sheets**



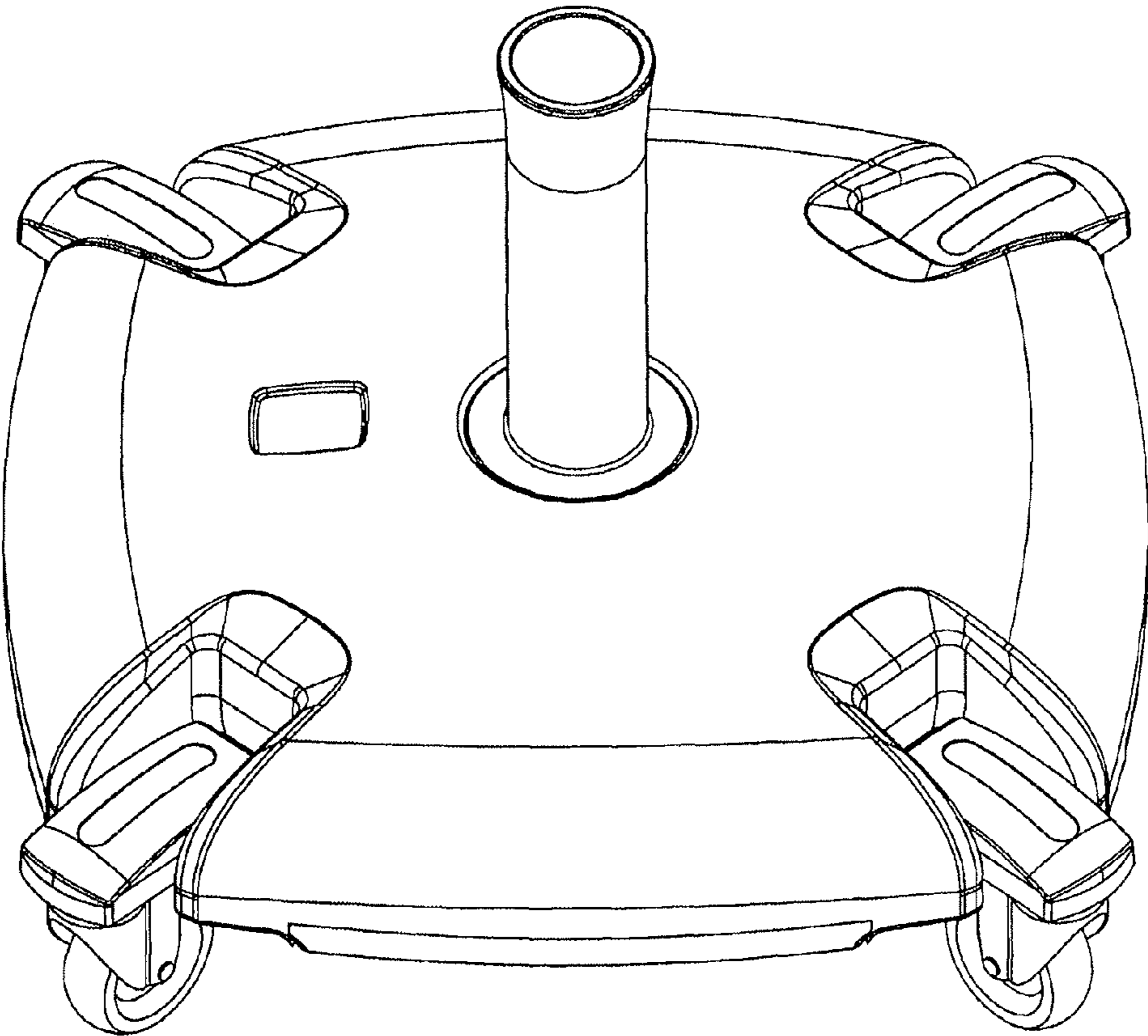


FIG 1

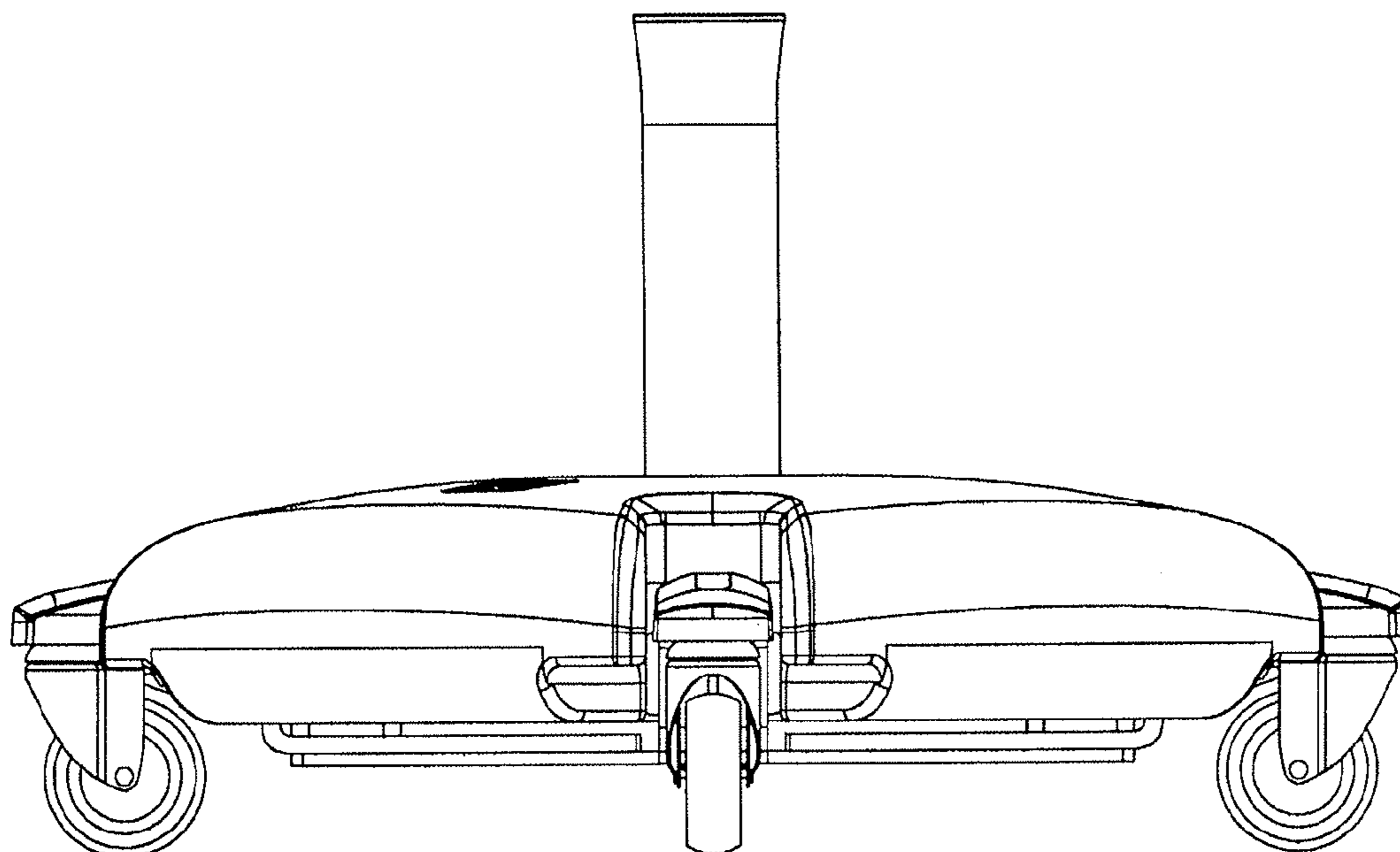


FIG 2

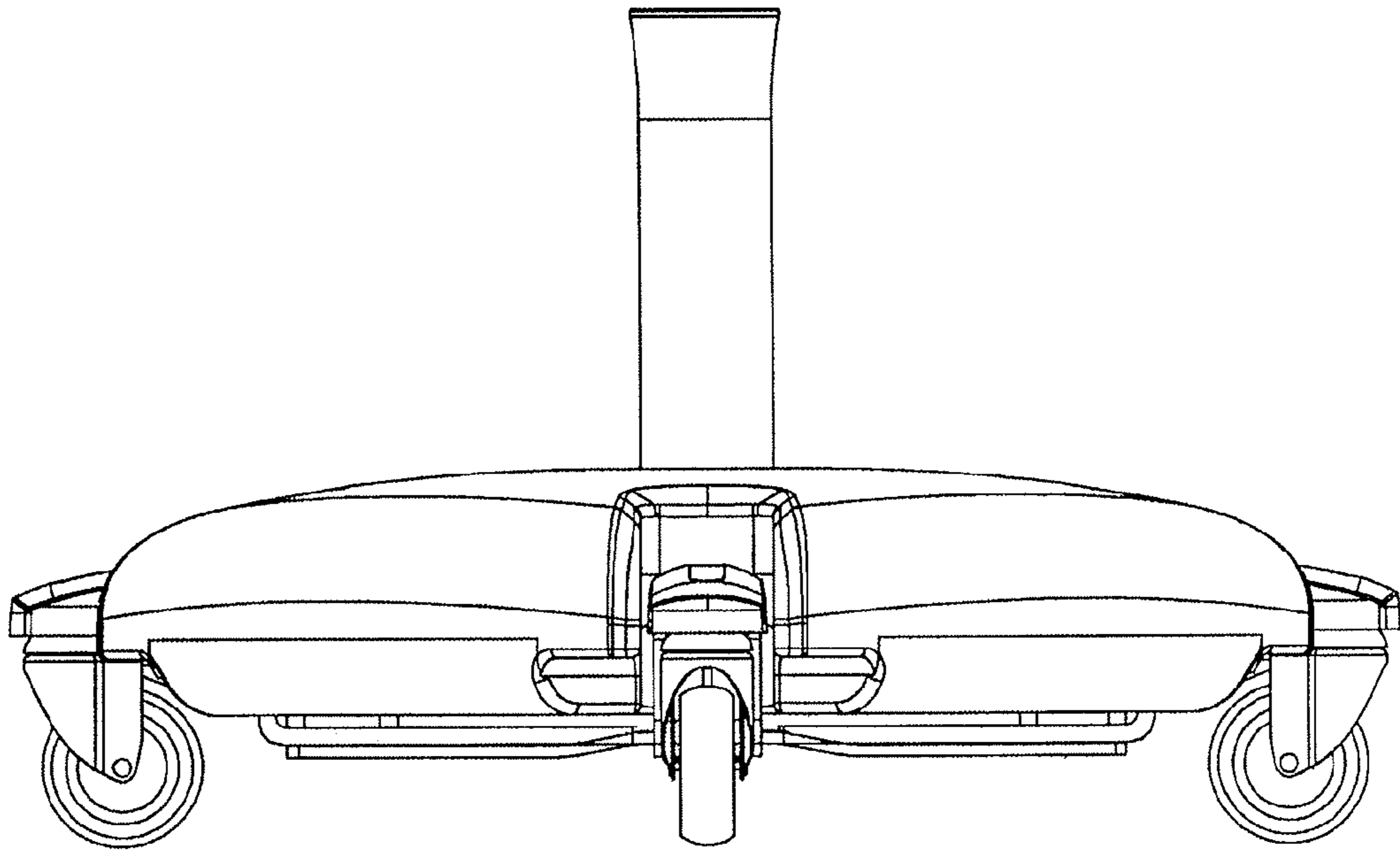


FIG 3

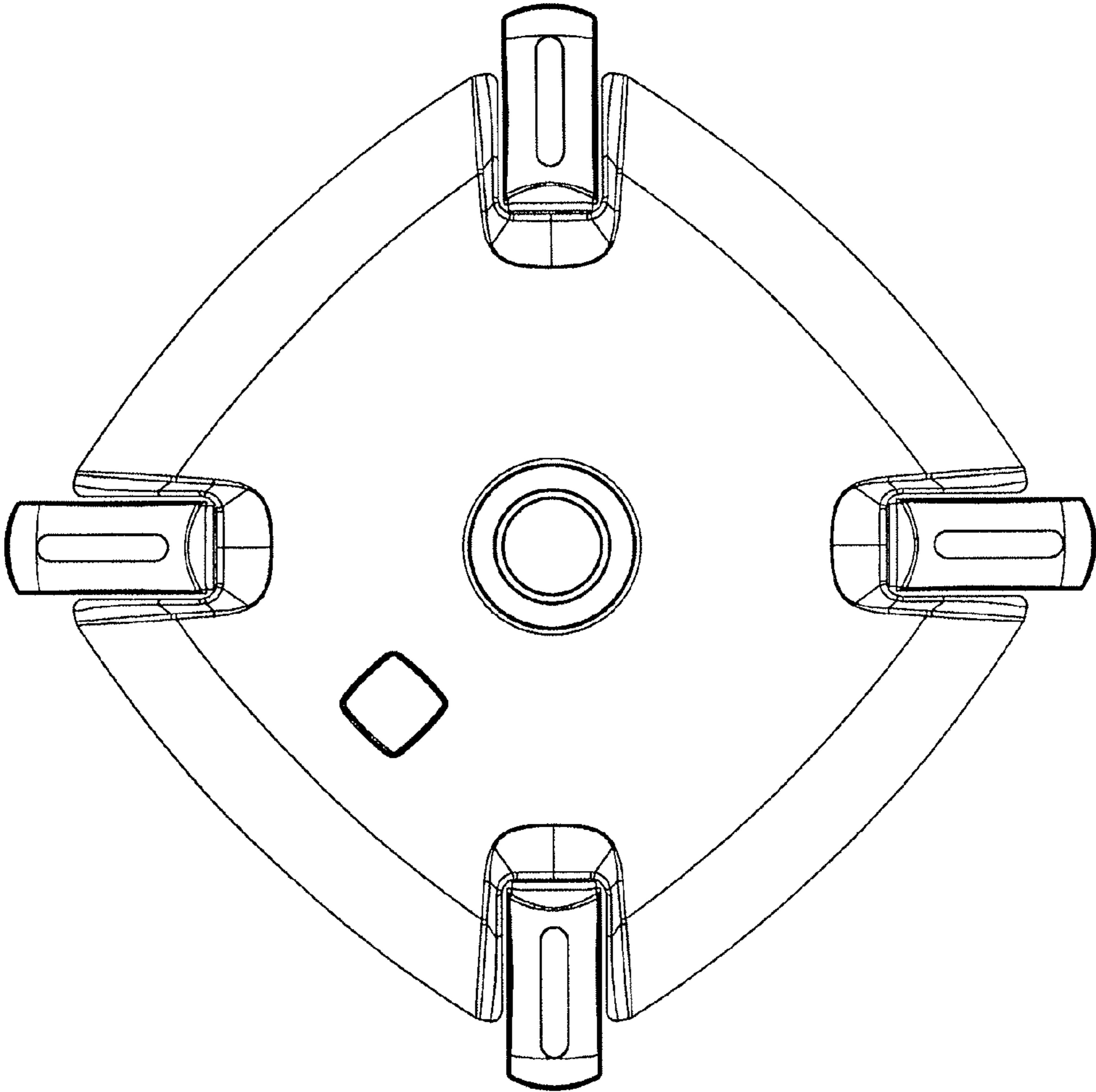


FIG 4



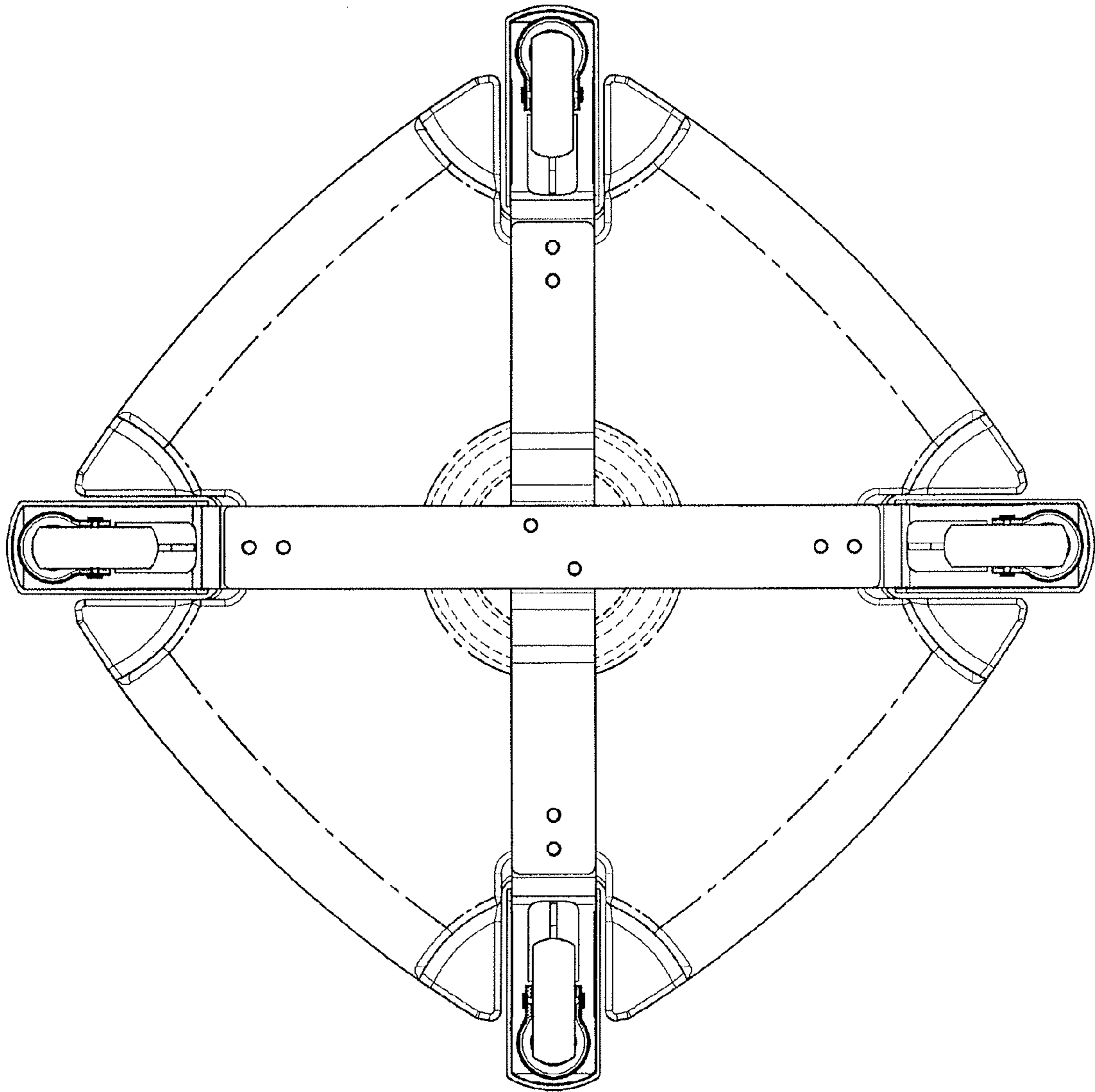


FIG 5

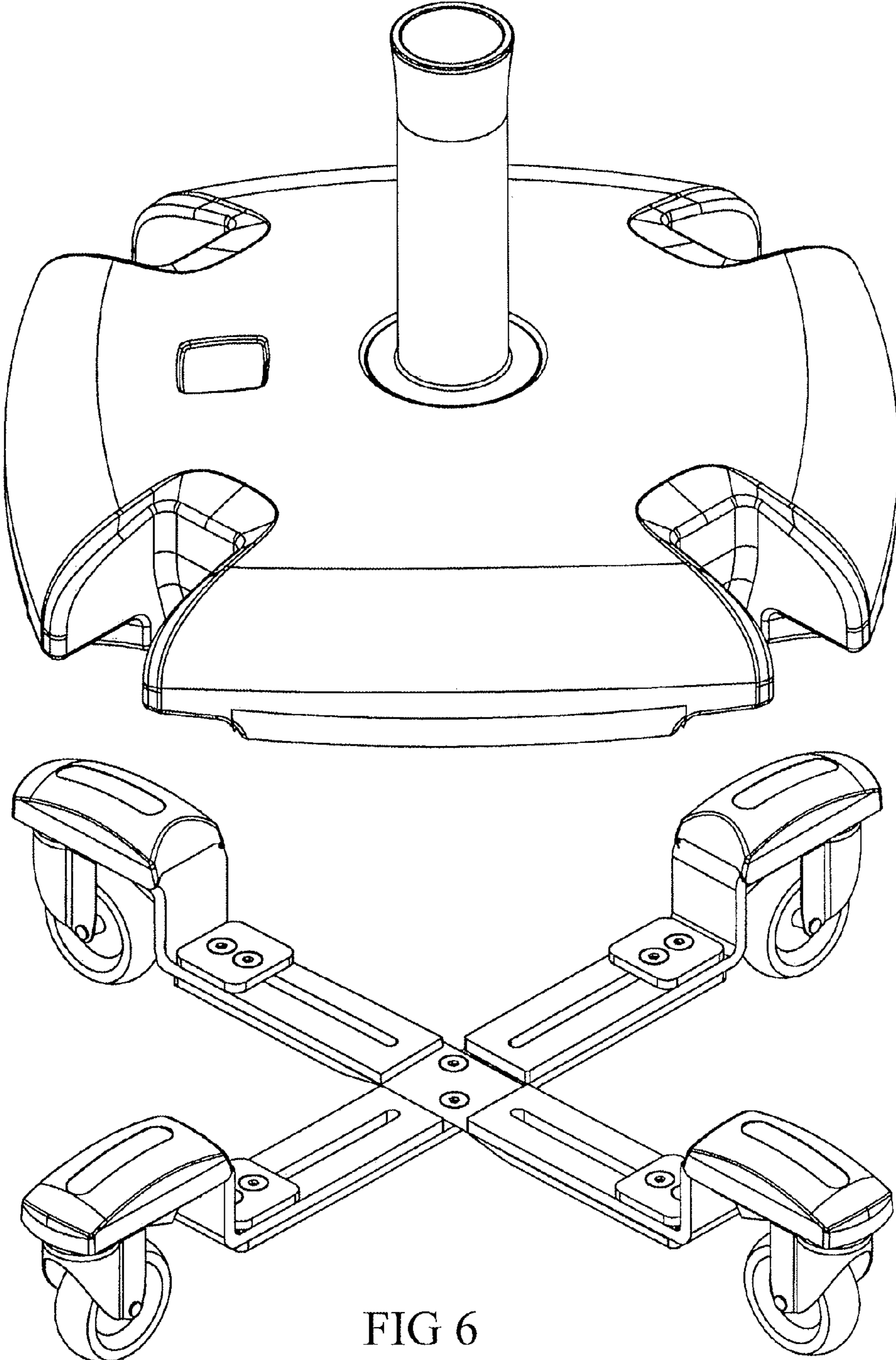


FIG 6