



US00D732816S

(12) **United States Design Patent**
Kazyaka

(10) **Patent No.:** **US D732,816 S**

(45) **Date of Patent:** **** Jun. 30, 2015**

(54) **ARTICLE HOLDER FOR A TABLE**

(71) Applicant: **Stephen R Kazyaka**, Sherman, CT (US)

(72) Inventor: **Stephen R Kazyaka**, Sherman, CT (US)

(**) Term: **14 Years**

(21) Appl. No.: **29/439,389**

(22) Filed: **Dec. 11, 2012**

(51) **LOC (10) Cl.** **03-03**

(52) **U.S. Cl.**
USPC **D3/10**

(58) **Field of Classification Search**
USPC D3/10; D6/524; D8/14, 70, 373, 376,
D8/387; D14/223; D19/85; D23/249;
D24/211, 214; D26/9, 10, 12, 14, 23,
D26/113; 431/35, 291, 293; 362/161;
D4/102, 109; D28/56, 57, 58, 59
CPC ... A46G 19/00; A45B 2025/003; F21V 35/00
See application file for complete search history.

(56) **References Cited**

U.S. PATENT DOCUMENTS

1,054,973	A *	3/1913	Markert	431/291
2,017,533	A *	10/1935	Friedrichs	431/293
4,036,577	A *	7/1977	Veitel et al.	431/35
D297,803	S *	9/1988	Rooney	D8/70
D301,057	S *	5/1989	Lazowski et al.	D23/249
D315,408	S *	3/1991	Duk	D24/211
D344,662	S *	3/1994	Dittman	D8/14
D358,222	S *	5/1995	Kane	D26/23
D376,016	S *	11/1996	Chen	D24/214
D501,885	S *	2/2005	Colson	D19/85
D554,627	S *	11/2007	Gondo	D14/223
D630,938	S *	1/2011	Bruce, III	D8/387

D678,252	S *	3/2013	Cantoni et al.	D14/223
D695,413	S *	12/2013	Grust et al.	D24/214
D715,987	S *	10/2014	Pugh	D26/113
D718,745	S *	12/2014	Thompson et al.	D14/223
D719,665	S *	12/2014	Callow	D24/214
2015/0049470	A1 *	2/2015	Kimmel et al.	362/161

* cited by examiner

Primary Examiner — Sheryl Lane

Assistant Examiner — Catherine Posthauer

(74) *Attorney, Agent, or Firm* — William J. Sapone; Ware Fresola Maguire & Barber LLP

(57) **CLAIM**

I claim the ornamental design for an article holder for a table, as shown and described.

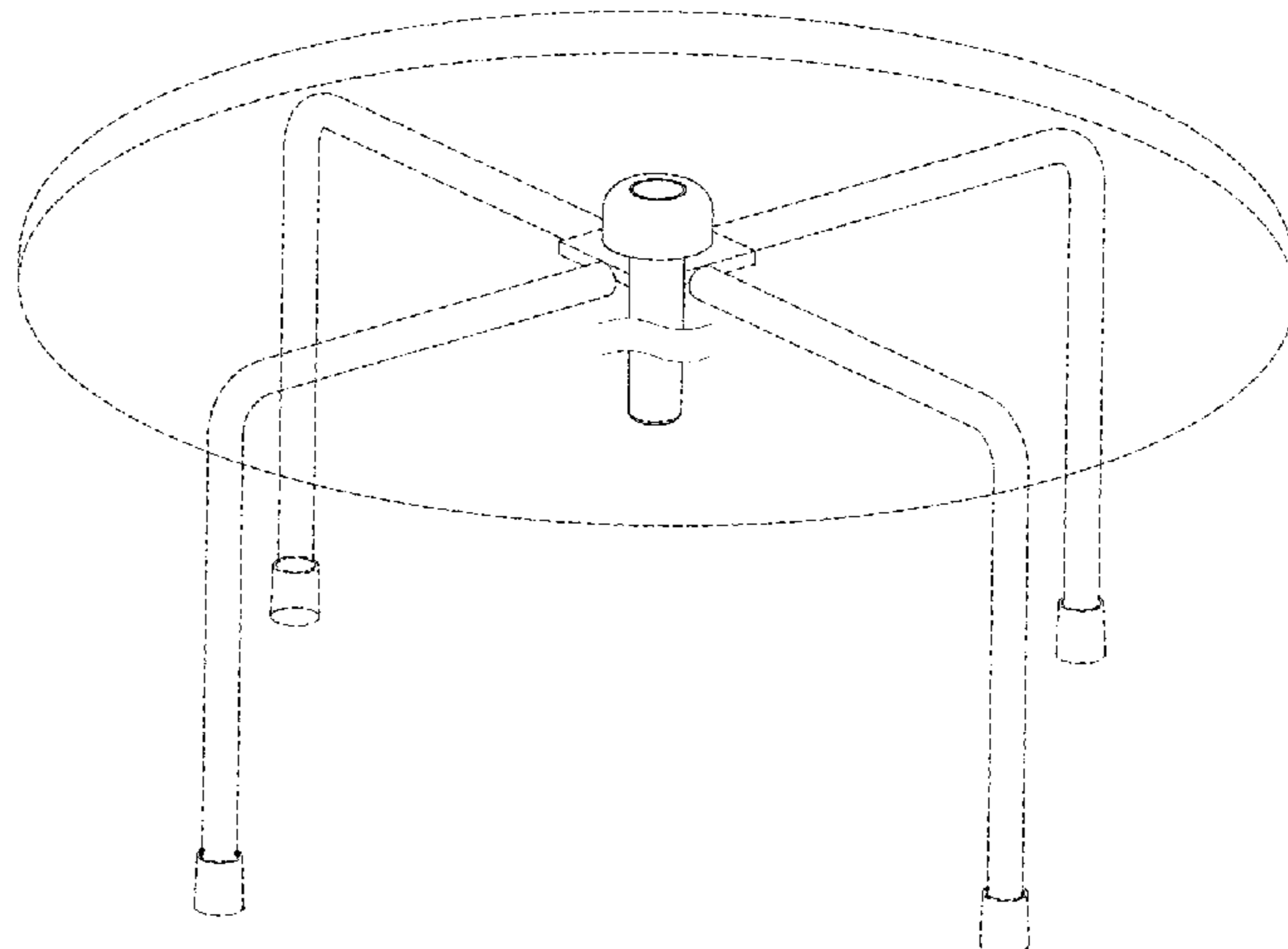
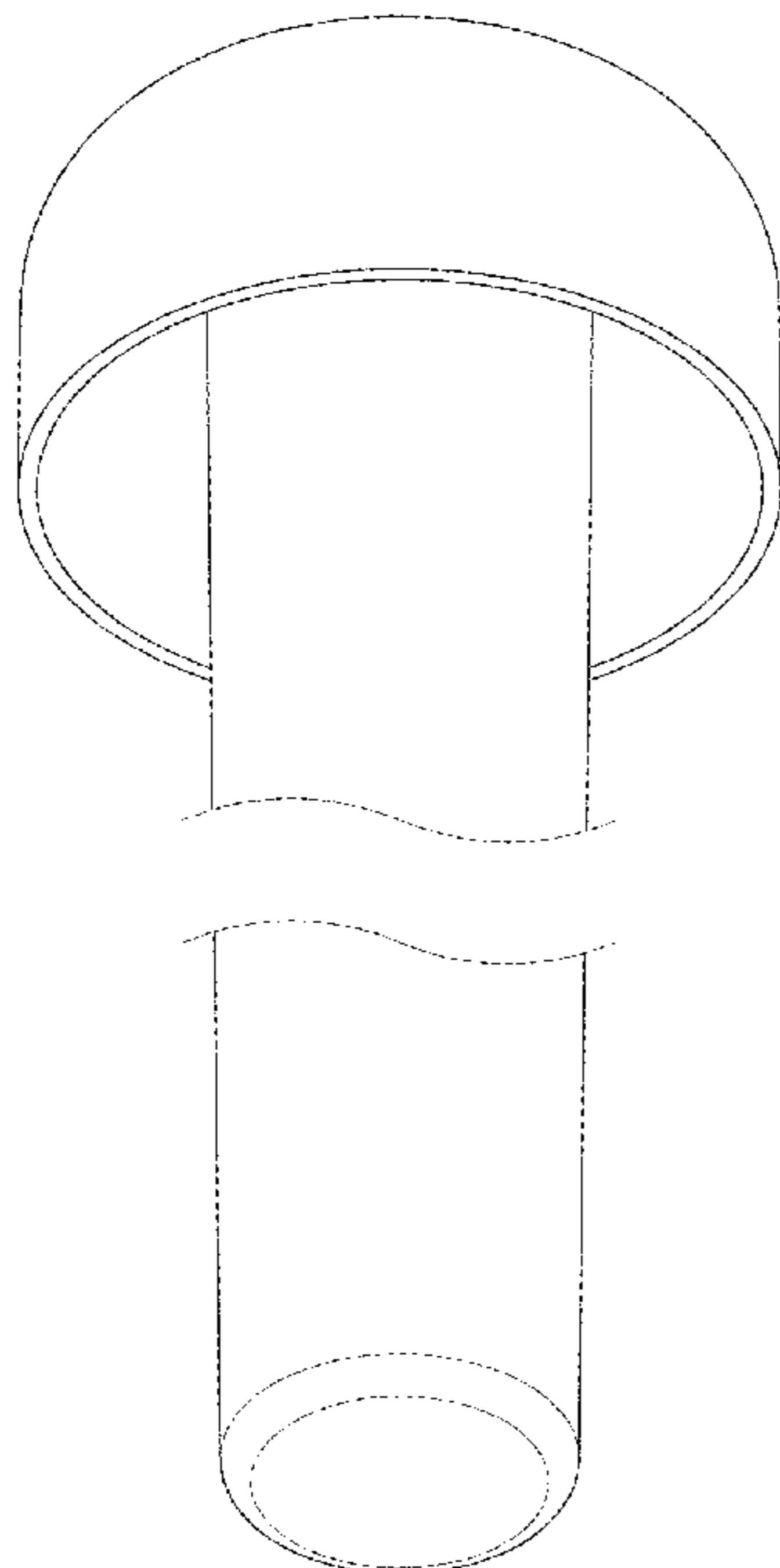
DESCRIPTION

FIG. 1 is a front, bottom perspective view of the article holder for a table, showing my new design;
 FIG. 2 is a front, top perspective view thereof;
 FIG. 3 is a front view thereof, the side and rear views being mirror images thereof;
 FIG. 4 is a cross sectional view taken along the line A-A of FIG. 3;
 FIG. 5 is a top view thereof;
 FIG. 6 is a bottom view thereof;
 FIG. 7 is a perspective view of the article holder of FIG. 1 disposed within a table; and,
 FIG. 8 is a front view of the article holder of FIG. 7.

The broken away symbols in the drawings indicate that any portion of the article beyond what is shown forms no part of the claimed design.

The broken lines showing of a table are for the purpose of illustrating environmental structure and form no part of the claimed design.

1 Claim, 4 Drawing Sheets



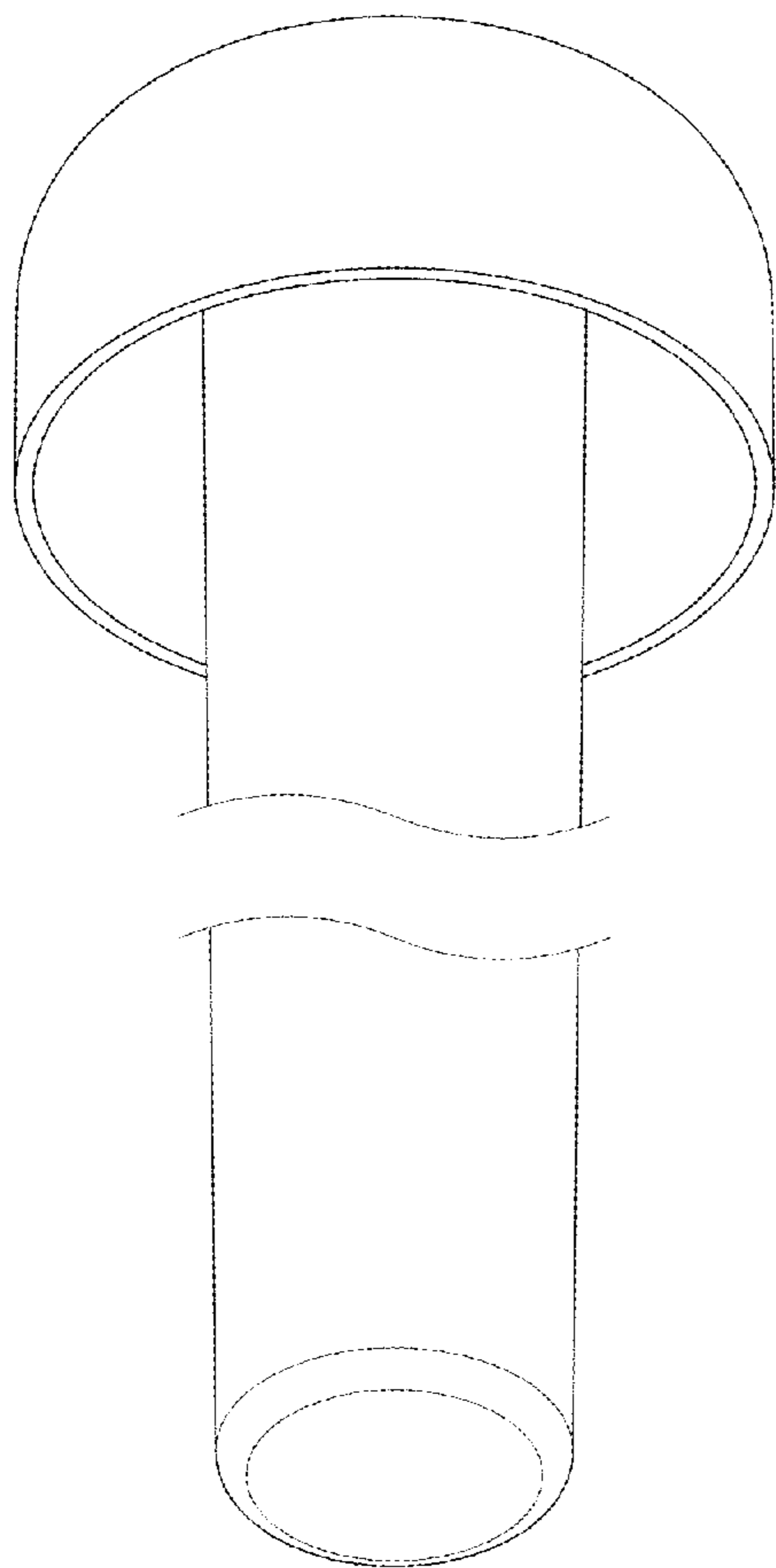


Fig. 1

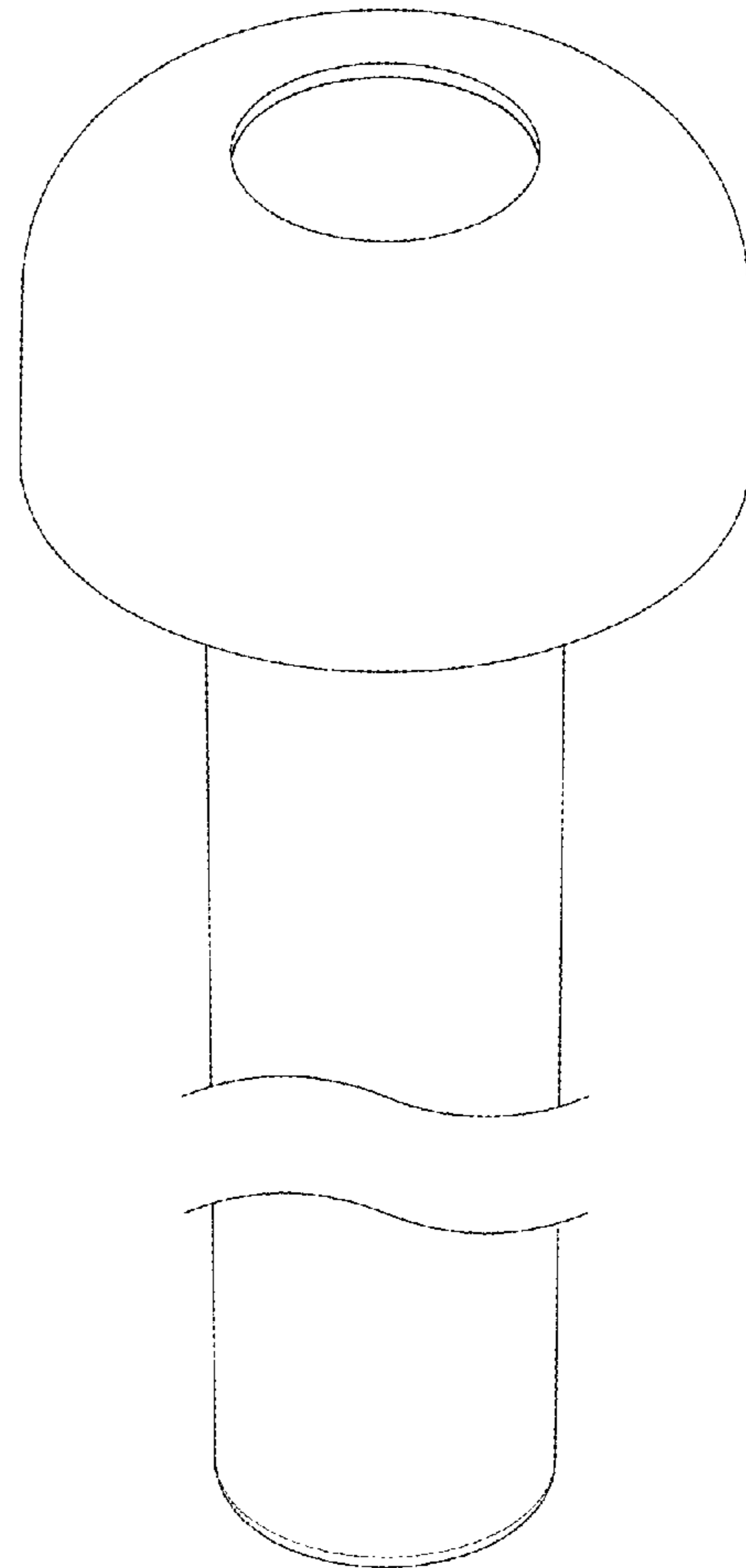


Fig. 2

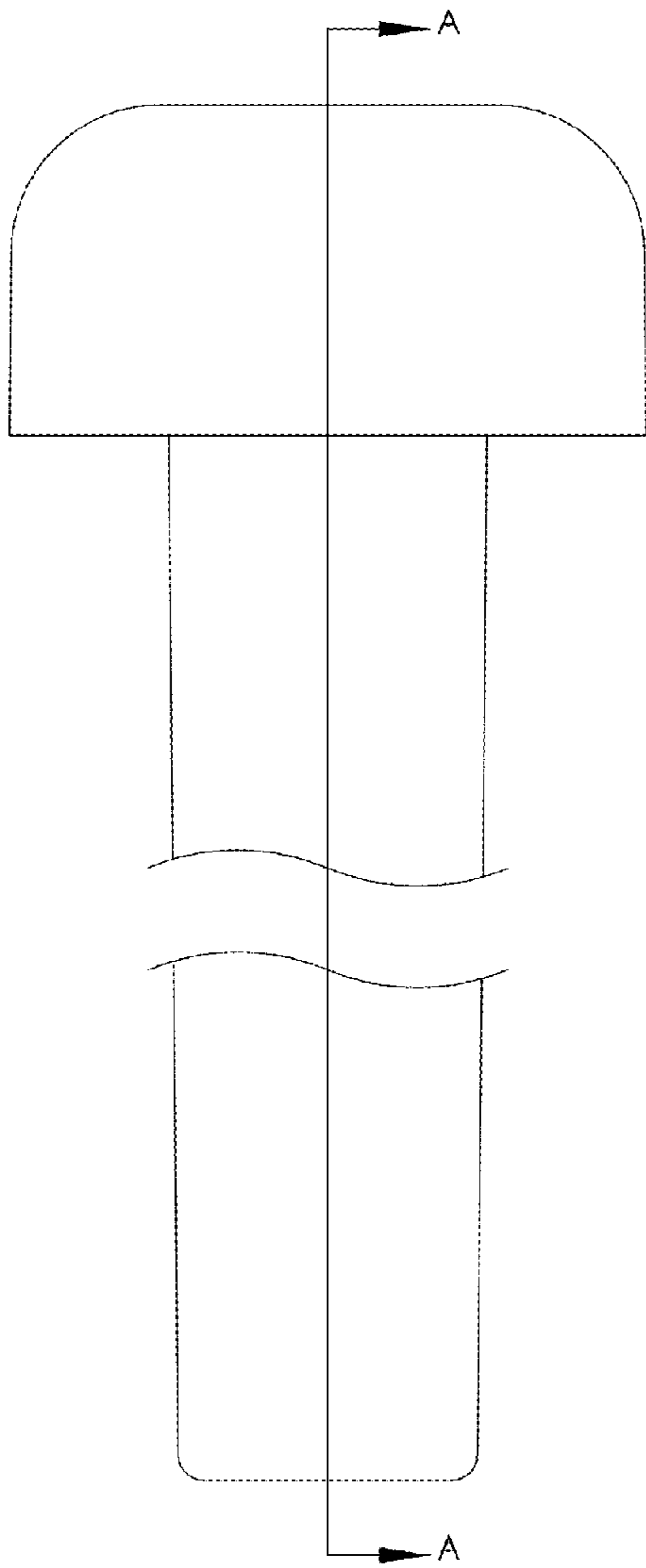


Fig. 3

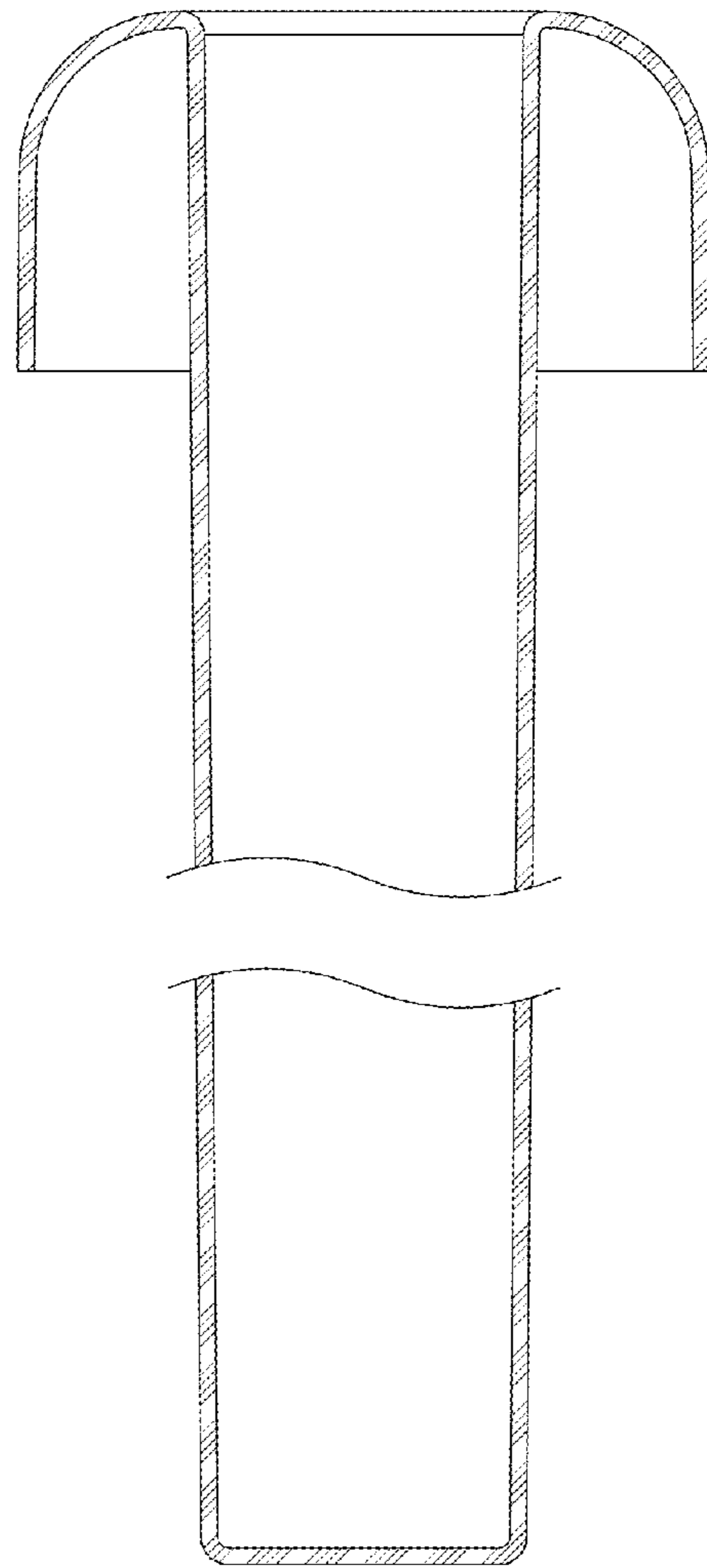


Fig. 4

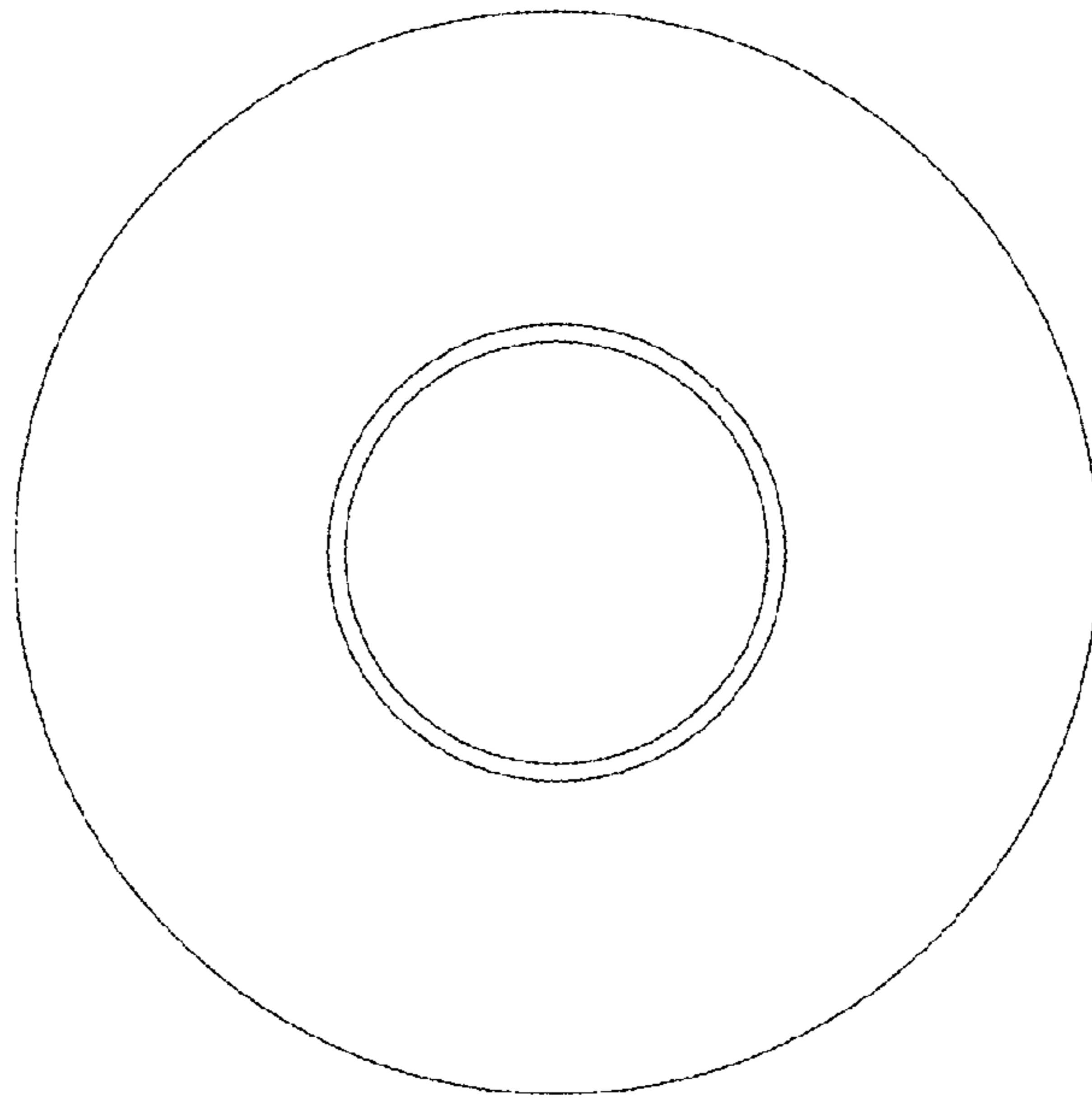


Fig. 5

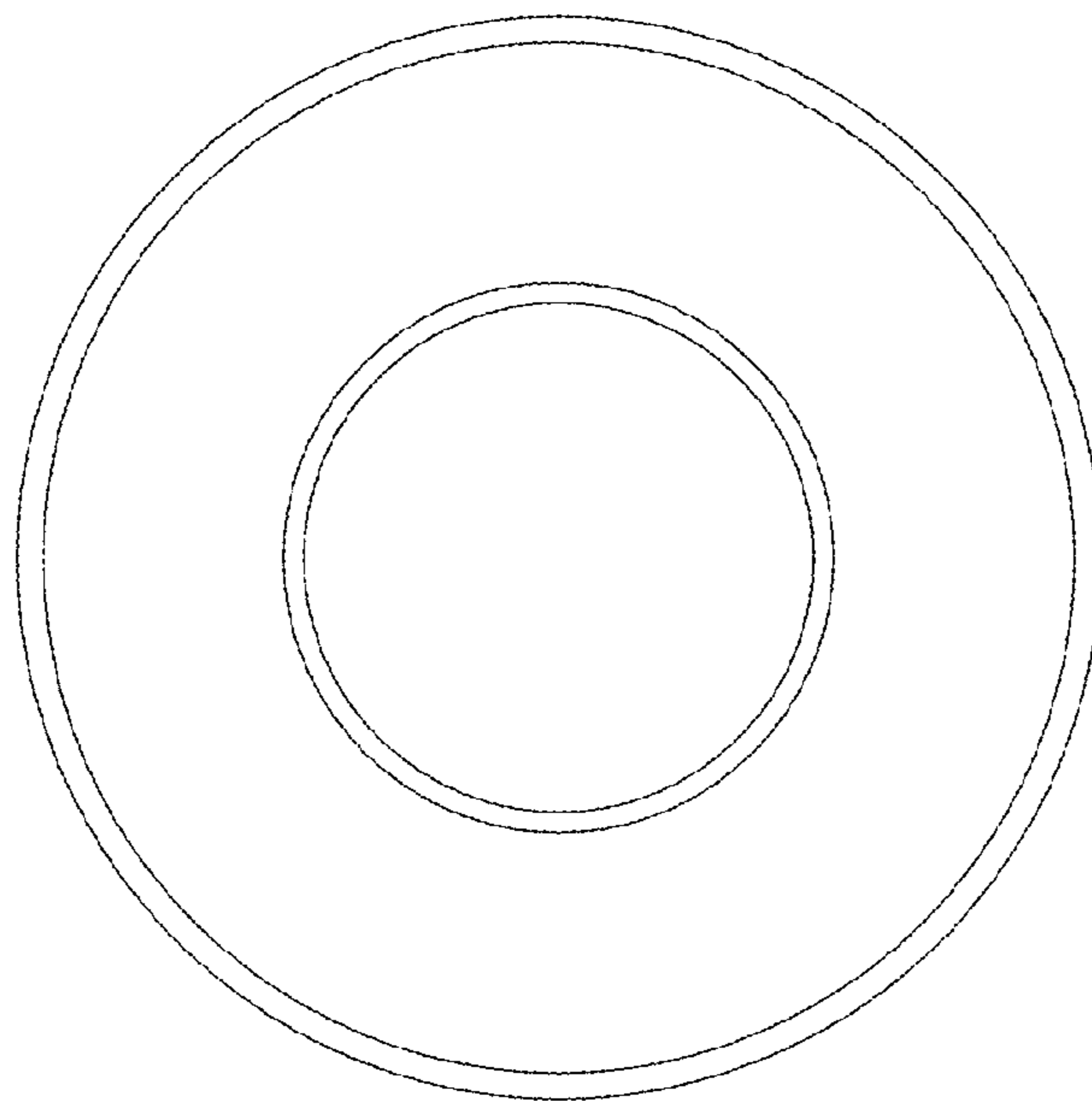


Fig. 6

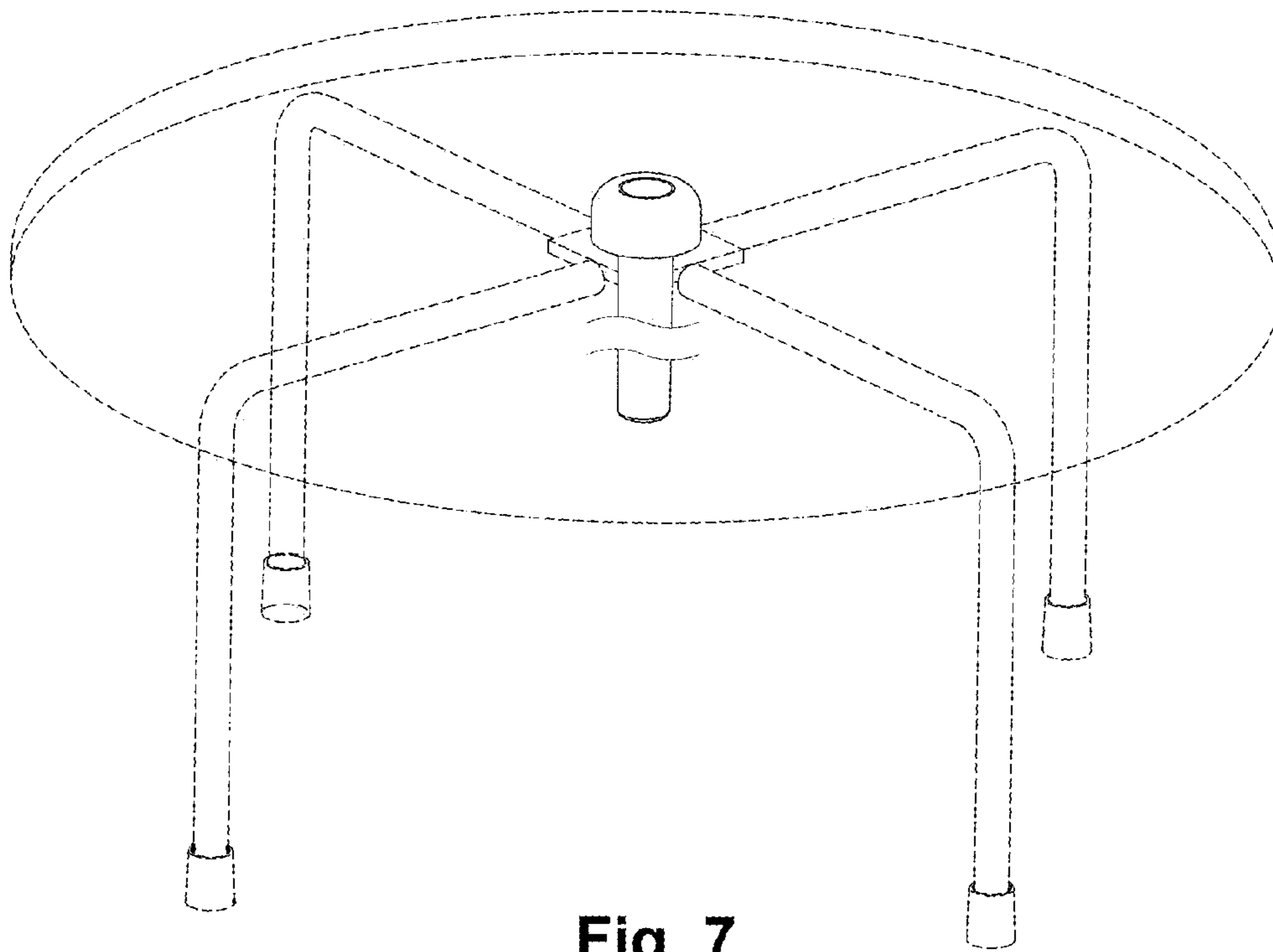


Fig. 7

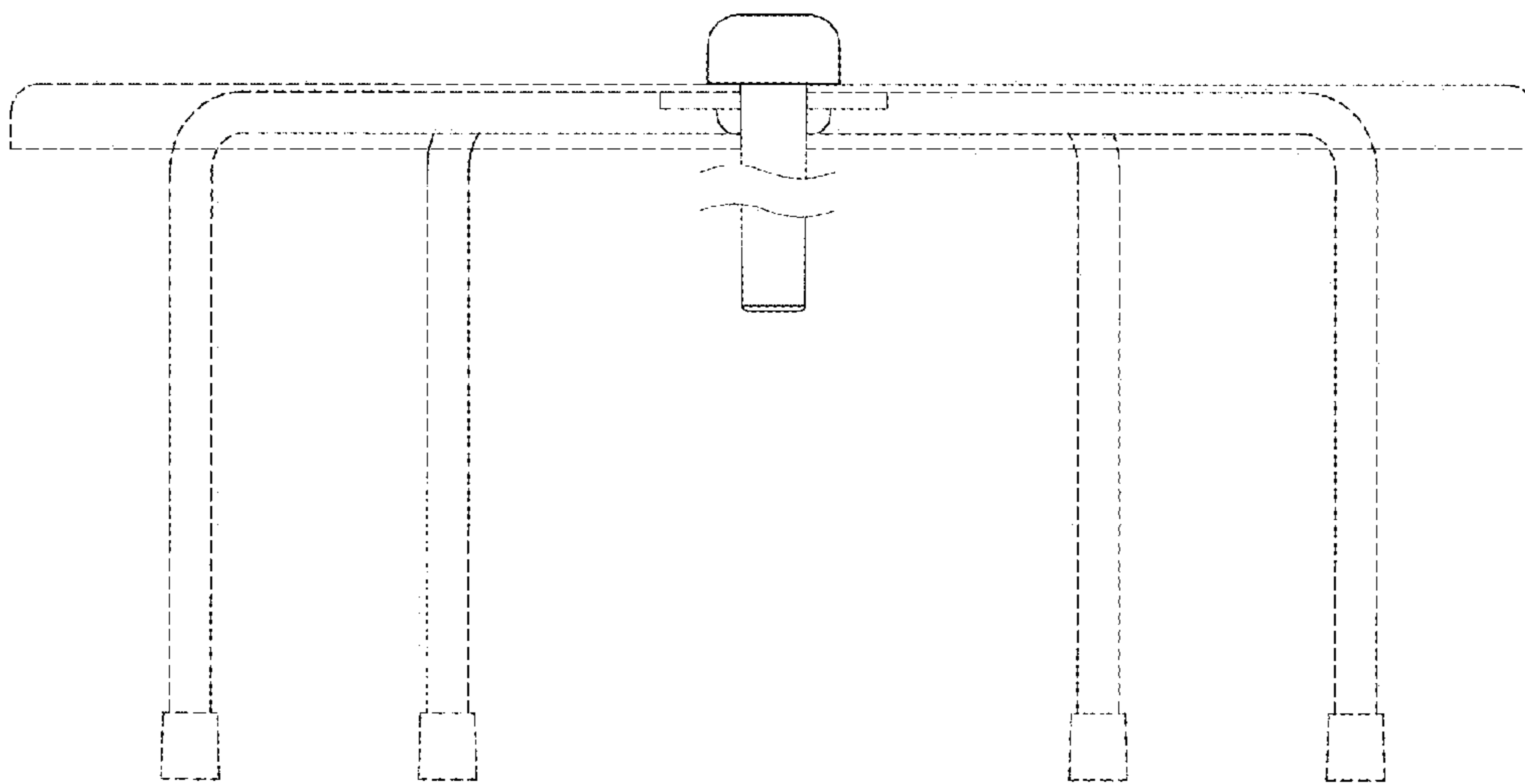


Fig. 8