



US00D732803S

(12) **United States Design Patent**
Popovich

(10) **Patent No.:** **US D732,803 S**
(45) **Date of Patent:** **** Jun. 30, 2015**

- (54) **HEADWEAR WITH FLAPPED BILL**
- (71) Applicant: **Christopher Mark Popovich, St. George, UT (US)**
- (72) Inventor: **Christopher Mark Popovich, St. George, UT (US)**
- (**) Term: **14 Years**
- (21) Appl. No.: **29/468,660**
- (22) Filed: **Oct. 2, 2013**

Related U.S. Application Data

- (63) Continuation-in-part of application No. 29/424,018, filed on Jun. 7, 2013, now abandoned.
- (51) **LOC (10) Cl.** **02-03**
- (52) **U.S. Cl.**
USPC **D2/893**
- (58) **Field of Classification Search**
USPC D2/865, 866, 867, 868, 869, 870, 871, D2/872, 873, 874, 875, 876, 878, 879, 881, D2/882, 883, 884, 889, 890, 891, 892, 893, D2/894, 895; 2/195.6, 209.13, 10, 12, 171, 2/172, 181, 422, 410, 425, 6.3, 6.4, 6.5, 2/6.7, 15, 431, 453, 454, 175.6, 195.1, 2/411
CPC A42B 1/248; A42B 1/062; A42B 1/063; A42B 1/064; A42B 3/222; A42B 3/226; A42B 3/227
See application file for complete search history.

(56) **References Cited**

U.S. PATENT DOCUMENTS

- 2,218,947 A * 10/1940 Brunzell 2/425
- 2,679,047 A * 5/1954 Bozzi 2/12
- 2,717,385 A * 9/1955 Linster 2/10
- 3,346,876 A * 10/1967 Hutton 2/10
- 4,106,119 A * 8/1978 Taupin 2/12

- D282,308 S * 1/1986 Kain D29/109
- 4,839,924 A * 6/1989 Laurence 2/195.1
- D302,608 S * 8/1989 LaPierre D29/109
- 5,007,110 A * 4/1991 Gilbert 2/10
- D367,158 S * 2/1996 Baker D2/882
- 5,754,983 A * 5/1998 Landers 2/195.1
- D396,945 S * 8/1998 Glass D2/893
- 5,884,334 A * 3/1999 Collette et al. 2/195.1
- 5,901,371 A * 5/1999 Lee 2/10
- 6,028,710 A * 2/2000 Jensen 359/630
- D521,211 S * 5/2006 Park D2/893
- D530,487 S * 10/2006 Alvarez-Calderon D2/882
- D531,392 S * 11/2006 Nathan D2/893
- 7,322,693 B2 * 1/2008 Abraham 351/158
- D592,834 S * 5/2009 Keiser D2/884
- D621,137 S * 8/2010 Byrne D2/876
- D630,417 S * 1/2011 Schmelzer D2/893
- D636,563 S * 4/2011 Keiser D2/893
- D649,213 S * 11/2011 Rim D21/791
- 8,266,722 B2 * 9/2012 Wang 2/195.6
- D669,253 S * 10/2012 Houston et al. D2/893
- 8,516,618 B2 * 8/2013 Adams et al. 2/195.1
- 2006/0143793 A1 * 7/2006 Liao 2/195.6

(Continued)

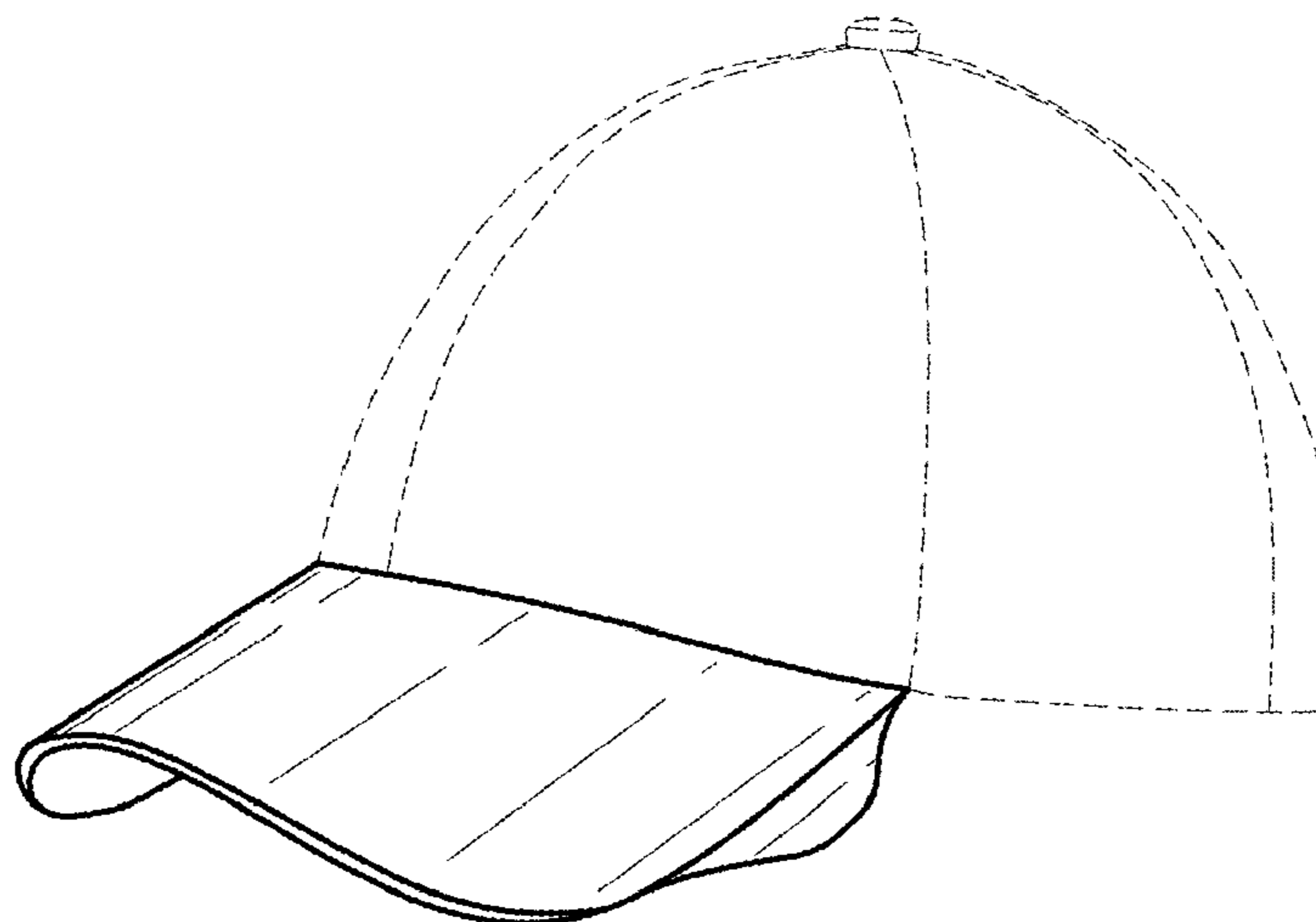
Primary Examiner — Karen E Eldridge Powers
Assistant Examiner — Kimberly Barnes
(74) *Attorney, Agent, or Firm* — Gurr & Brande, PLLC; Robert A. Gurr

(57) **CLAIM**
The ornamental design for headwear with flapped bill, as shown and described.

DESCRIPTION

FIG. 1 is a perspective view of the headwear; FIG. 2 is a top plan view of the headwear; FIG. 3 is a front elevation view of the headwear; and, FIG. 4 is a side elevation view of the headwear. The broken lines showing the crown portion of a hat depicts environmental subject matter only and forms no part of the claimed design.

1 Claim, 2 Drawing Sheets



US D732,803 S

Page 2

(56)

References Cited

U.S. PATENT DOCUMENTS

2007/0283478	A1*	12/2007	Frid et al.	2/10
2013/0125292	A1*	5/2013	Weaver et al.	2/209.13
2015/0013050	A1*	1/2015	Floyd et al.	2/411
2006/0168708	A1*	8/2006	Moshier	2/175.6
2006/0215393	A1*	9/2006	VanderSchuit	362/106

* cited by examiner

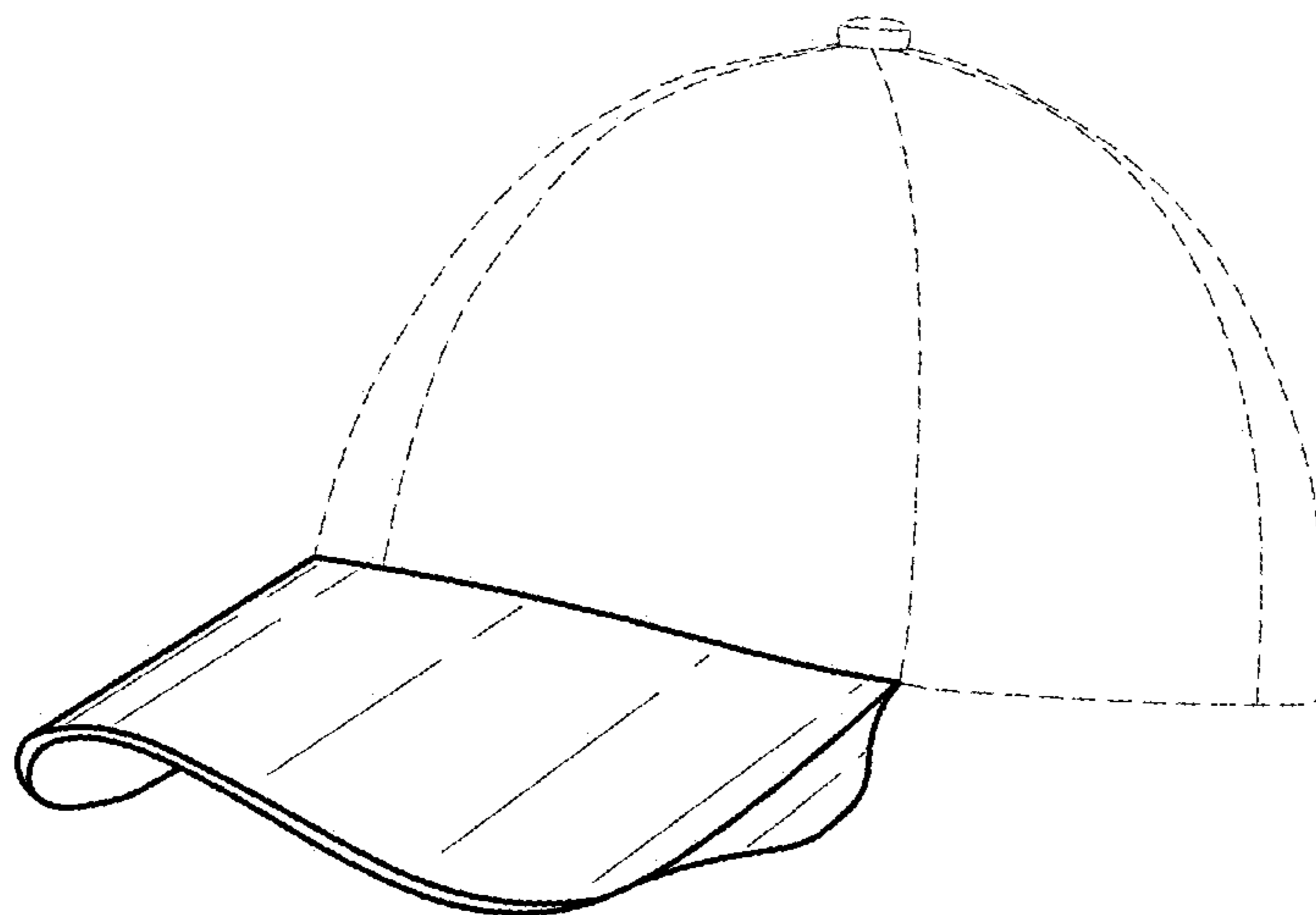


FIG. 1

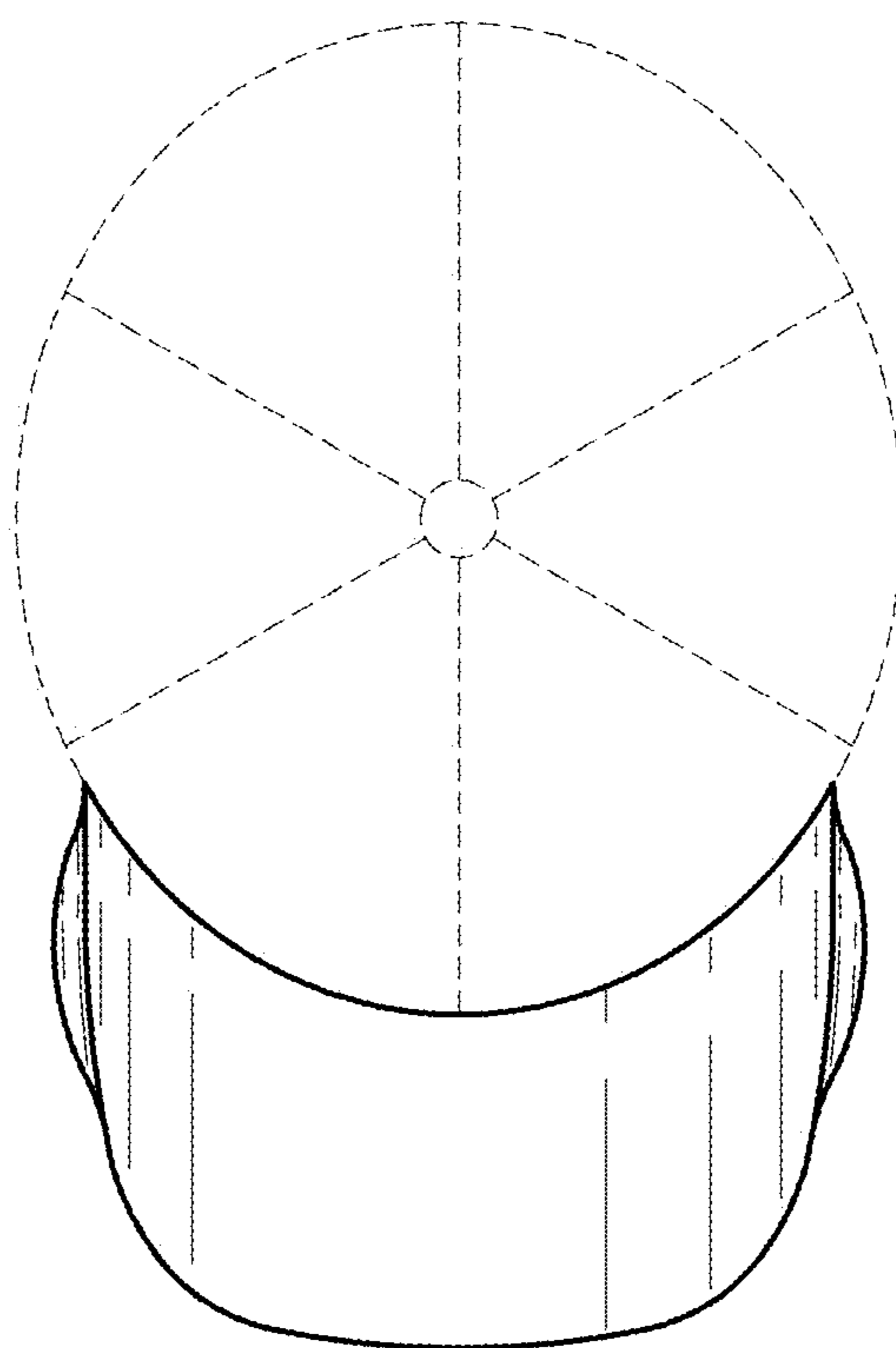


FIG. 2

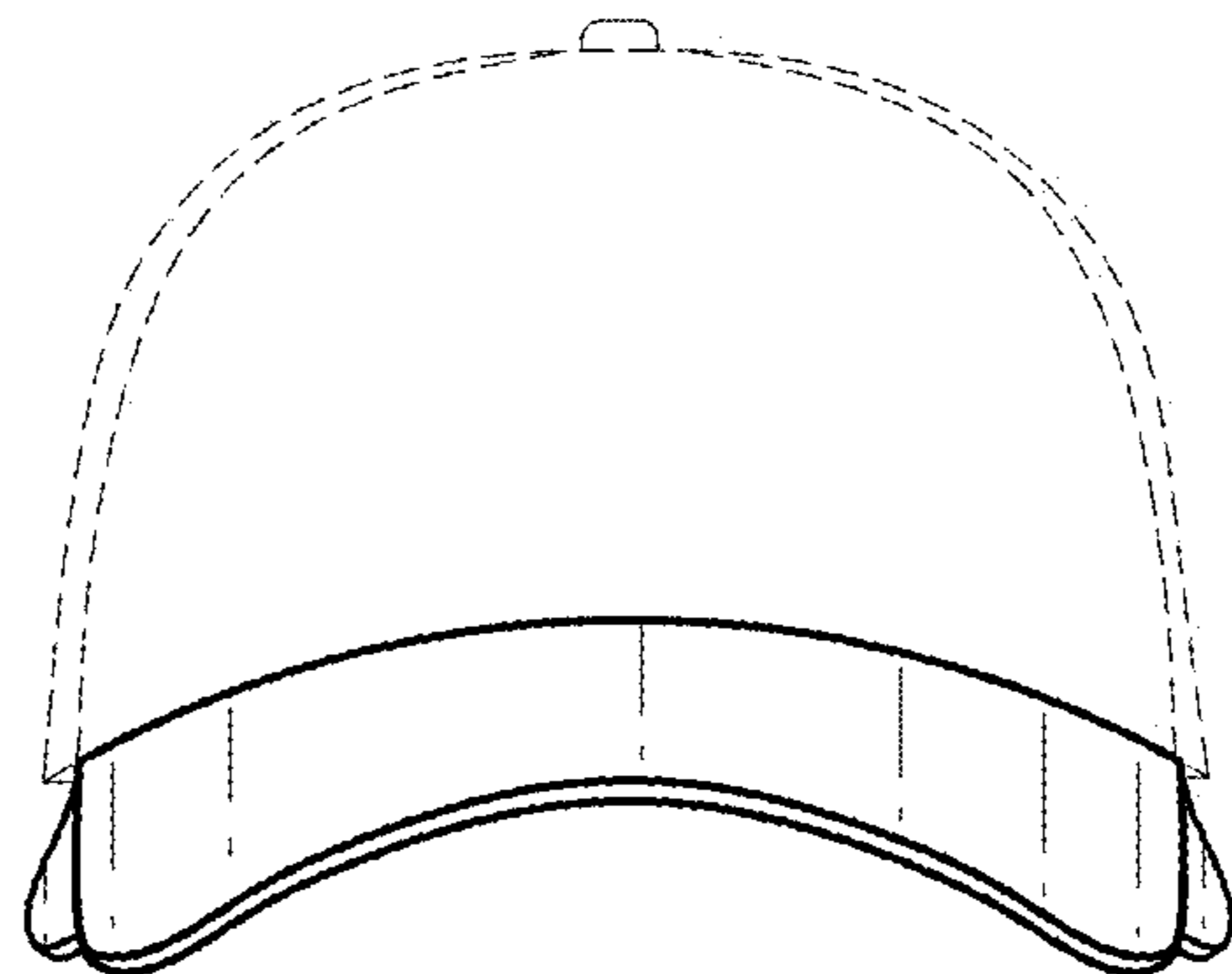


FIG. 3

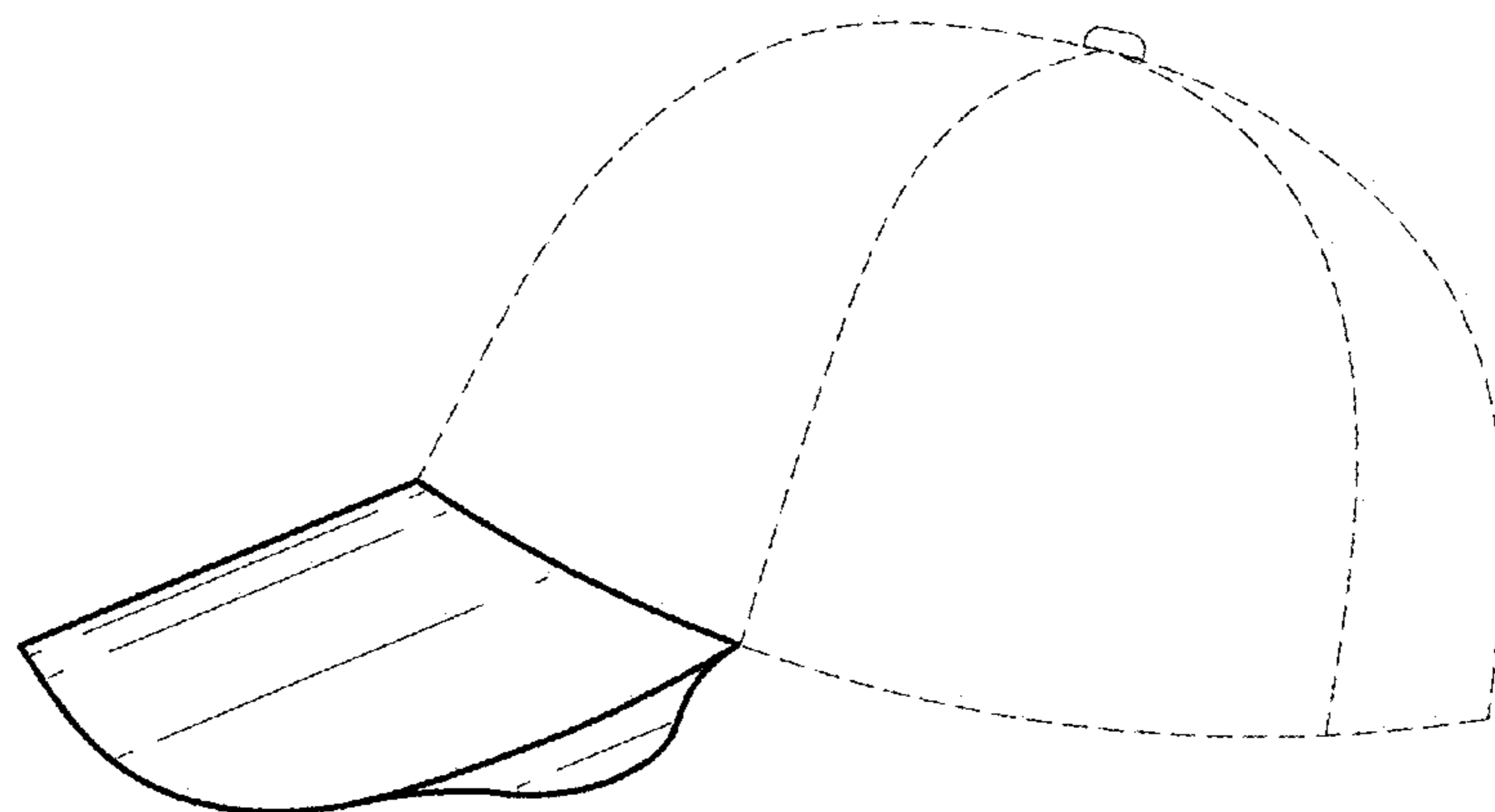


FIG. 4