



US00D732800S

(12) **United States Design Patent**
Brown

(10) **Patent No.:** **US D732,800 S**
(45) **Date of Patent:** **** Jun. 30, 2015**

- (54) **COAT**
- (71) Applicant: **Emma Jane Brown,**
Stratford-upon-Avon (GB)
- (72) Inventor: **Emma Jane Brown,**
Stratford-upon-Avon (GB)
- (**) Term: **14 Years**
- (21) Appl. No.: **29/444,826**
- (22) Filed: **Feb. 4, 2013**

Related U.S. Application Data

- (63) Continuation of application No. 29/390,556, filed on Apr. 26, 2011, now abandoned.

(30) **Foreign Application Priority Data**

Oct. 27, 2010 (EM) 0012418710003

- (51) **LOC (10) Cl.** **02-02**

- (52) **U.S. Cl.**
USPC **D2/839**

- (58) **Field of Classification Search**
USPC D2/839, 830, 828, 836, 831; 2/93, 86,
2/79, 1, 96, 750, 251; D29/69, 93, 251;
D3/229

See application file for complete search history.

(56) **References Cited**

U.S. PATENT DOCUMENTS

1,667,220 A	4/1928	Rifken
D86,976 S	5/1932	Raymond
2,042,282 A	5/1936	Tworoger
D116,885 S	9/1939	Nieberg
2,180,914 A	11/1939	Speh
D119,122 S	2/1940	Bauer
D120,711 S	5/1940	Speh
D130,637 S	12/1941	Speh
D131,396 S	2/1942	Speh

2,324,722 A	7/1943	Papierniak
2,358,137 A	9/1944	Bard et al.
2,422,779 A	6/1947	Fligel
RE22,906 E	8/1947	Sholder
2,462,361 A	2/1949	Cassens
D153,438 S	4/1949	Kratz
2,468,915 A	5/1949	Bayless
2,715,226 A *	8/1955	Weiner 2/79
D178,744 S	9/1956	Warmflash
D181,082 S	9/1957	Warmflash
D181,802 S	12/1957	McElreath
2,919,443 A	5/1960	Kashiyama
D235,590 S	7/1975	Naumovski
D243,724 S	3/1977	Schaefer
D257,571 S	12/1980	Inoue
D266,880 S	11/1982	Luhtala
D270,585 S	9/1983	Viio

(Continued)

FOREIGN PATENT DOCUMENTS

JP 2003096605 4/2003

OTHER PUBLICATIONS

U.S. Appl. No. 29/390,556, filed Apr. 26, 2011, Brown.

(Continued)

Primary Examiner — Ian Simmons
Assistant Examiner — Eleni Aldridge
(74) *Attorney, Agent, or Firm* — Wells St. John P.S.

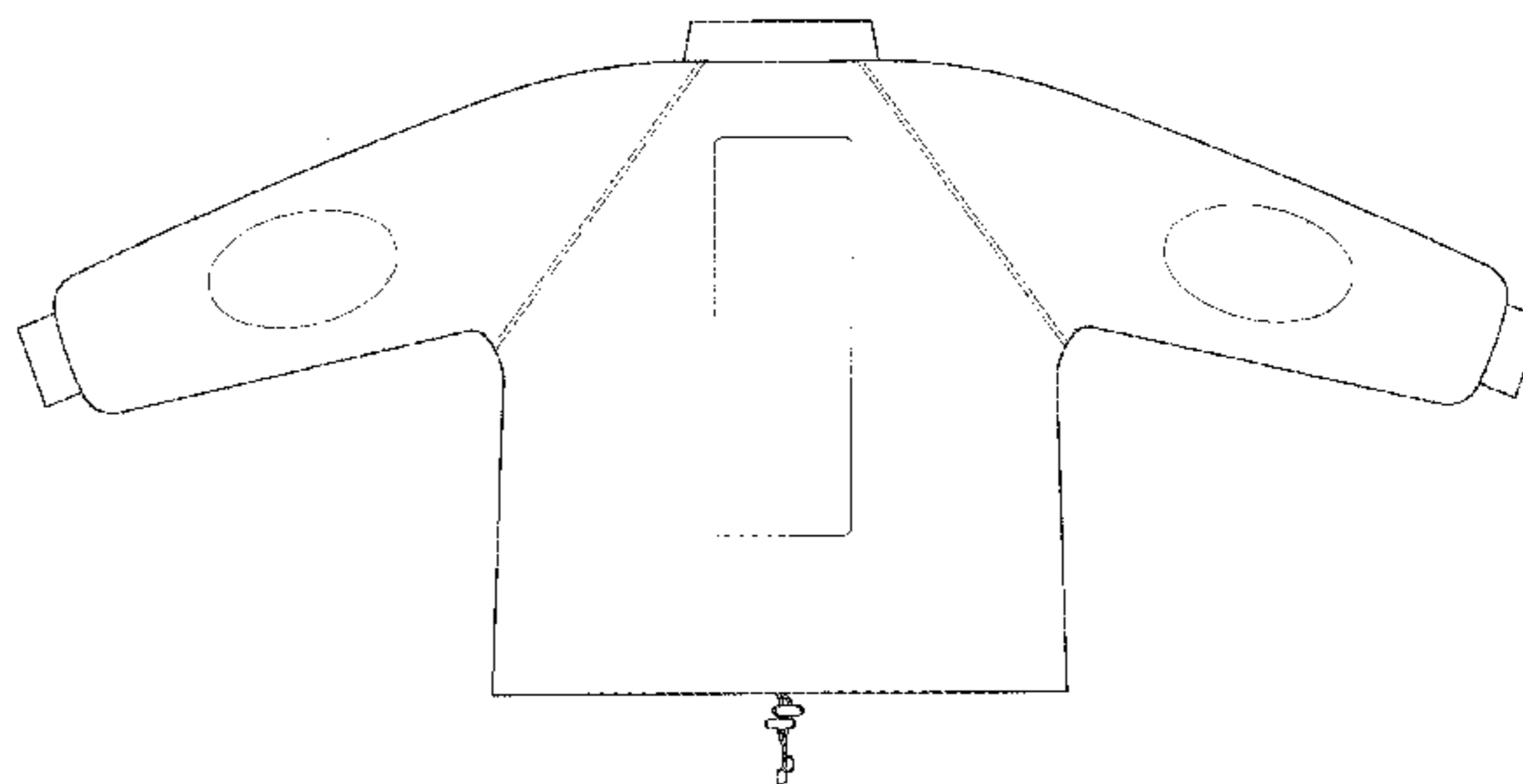
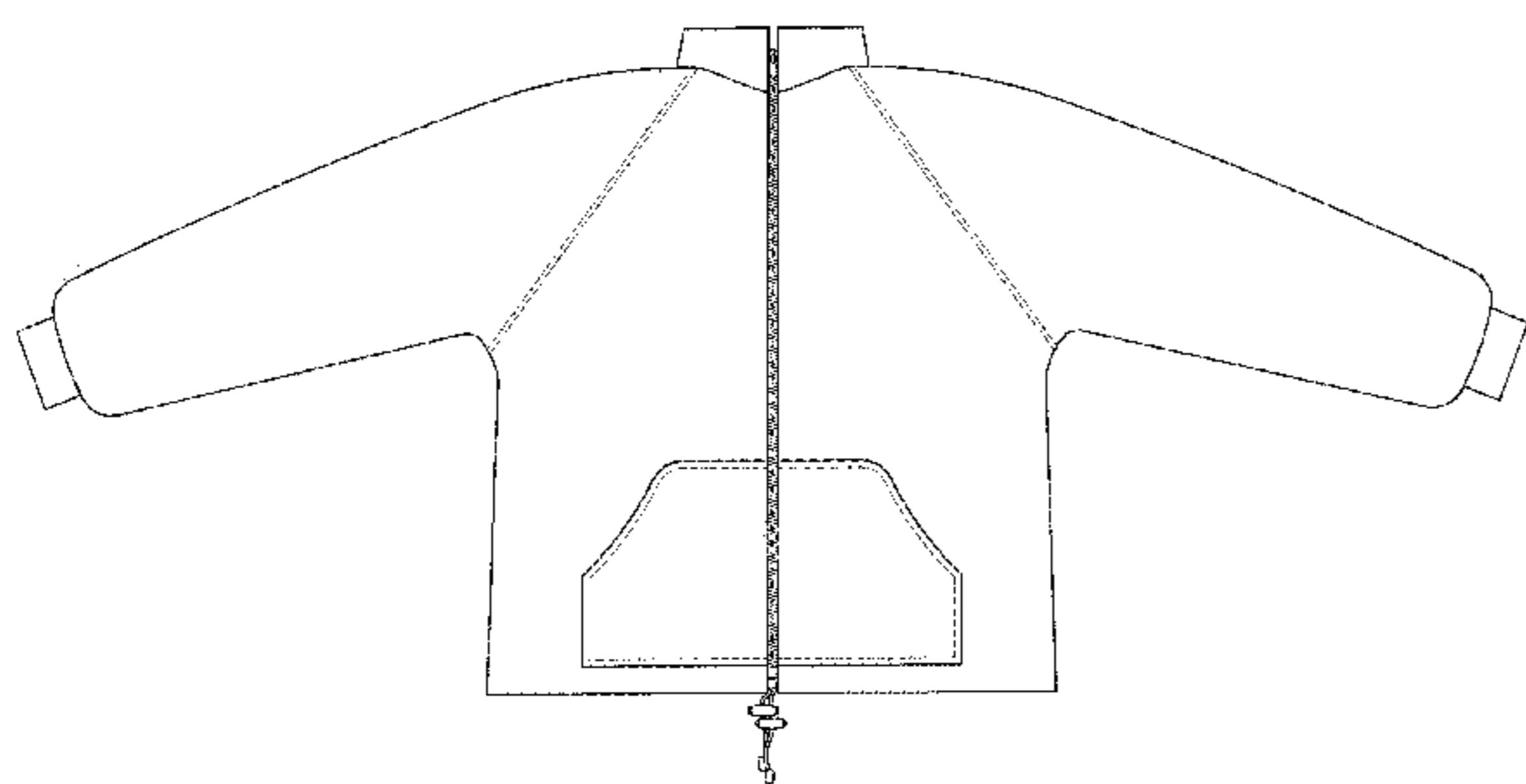
(57) **CLAIM**

I claim the ornamental design for a coat, as shown and described.

DESCRIPTION

FIG. 1 is a front view of a coat showing my new design; and, FIG. 2 is a rear view thereof. The broken line showing of stitching is included for the purpose of illustrating portions of the article that forms a part of the claimed design.

1 Claim, 2 Drawing Sheets



(56)

References Cited

U.S. PATENT DOCUMENTS

4,608,715 A * 9/1986 Miller et al. 2/1
 4,646,366 A 3/1987 Nishida et al.
 D289,941 S 5/1987 Felder
 4,875,237 A 10/1989 Cohen
 D305,825 S 2/1990 Tenore
 D306,511 S 3/1990 Jones
 D339,221 S 9/1993 Olajide
 5,384,915 A 1/1995 Rodriguez
 D385,088 S * 10/1997 Handysides D2/831
 D387,190 S 12/1997 Garcia
 D416,125 S 11/1999 Falk et al.
 5,996,122 A 12/1999 Aldridge et al.
 D421,329 S 3/2000 Adams
 D428,548 S 7/2000 Hosogai
 D439,727 S 4/2001 Hosogai
 6,668,381 B2 12/2003 Tarrell
 D498,037 S 11/2004 Bay
 D509,644 S 9/2005 Eukpeeh-Lloyd
 D530,060 S 10/2006 Quintero
 D536,859 S 2/2007 Carreras
 D551,429 S 9/2007 Wager
 D598,639 S 8/2009 Holder
 D621,132 S 8/2010 Crisp
 D622,937 S 9/2010 Bay
 7,886,368 B2 2/2011 Hood
 D637,377 S 5/2011 Herten
 D639,025 S 6/2011 Holder
 D645,230 S 9/2011 Rushworth
 D653,836 S 2/2012 Woysner et al.
 D654,664 S * 2/2012 Evans et al. D2/839
 D662,282 S 6/2012 Meunier-Bouchard
 D696,840 S * 1/2014 Brown D2/839
 D696,858 S * 1/2014 Kowalsky et al. D3/229
 2002/0142112 A1 * 10/2002 Tarrell 428/17
 2004/0143884 A1 * 7/2004 Majerfeld 2/96
 2006/0143774 A1 7/2006 Walsh et al.
 2006/0150298 A1 * 7/2006 Jones 2/93
 2008/0184454 A1 * 8/2008 Collier 2/93

2009/0044310 A1 2/2009 Baacke
 2011/0000944 A1 1/2011 Hood
 2011/0010818 A1 1/2011 Hood
 2013/0232673 A1 9/2013 Johnson et al.

OTHER PUBLICATIONS

U.S. Appl. No. 29/390,557, filed Apr. 26, 2011, Brown.
 U.S. Appl. No. 29/390,558, filed Apr. 26, 2011, Brown.
 U.S. Appl. No. 29/390,559, filed Apr. 26, 2011, Brown.
 3 Jacket Styles Every Women (sic) Should Own, [online], published on Apr. 2009, retrieved on Oct. 1, 2012. <URL: <http://thegloss.com/fashion/3-jacket-styles-every-woman-should-own/>>, 1 page.
 Dandy pants: Jul. 2009 [online], published on Jul. 4, 2009, retrieved on Oct. 1, 2012. <URL: http://danypants.blogspot.com/2009_07_01_archive.html>, 1 page.
 Levi's F/W09 Denim Trucker Jacket, [online], published on Jun. 24, 2009, retrieved on Oct. 2, 2012. <URL: <http://fluxuryb.com/2009/06/levis-fw09-denim-trucker-jacket/>>, 1 page.
 Longhorn's Vintage Clothing, [online], published on Jul. 27, 2012, retrieved on Oct. 2, 2012 <URL: <http://longhornvintage.blogspot.com/2010/02/item-10-b-0004-vintage-50s60s-levis-557.html>>, 1 page.
 tek-9. http://www.tek-9.org/forum/off_topic-22/what_you_last_bought-74078.html?page=23. Date Unknown: Viewed Sep. 2012, Jacket, 1 page.
 Calvin Klein Jeans Women's Highway Wash Jean Jacket, [online], crawled on Nov. 29, 2009, retrieved on Oct. 1, 2012, <URL: <http://web.archive.org/web/20091129125150/http://www.overstock.com/Clothing-Shoes/Clavin-Klein-Jeans-Womens-Highway-Wash-Jean-Jacket/4250335/product.html>>, 2 pages.
 Faded Glory: Denim Lightens Up for Spring, [online], published on May 19, 2009, retrieved on Oct. 1, 2012, <URL: <http://www.refinery29.com/faded-glory-denim-lightens-up>>, 4 pages.
 Sohnay Industries, http://sohnay.trustpass.alibaba.com/productsshowing/112638144-013385/Varsity_Jackets_Baseball_Jackets_Letterman_Jackets.html, Data Unknown, Viewed Sep. 2012. "Varsity Jacket" 1 page.

* cited by examiner

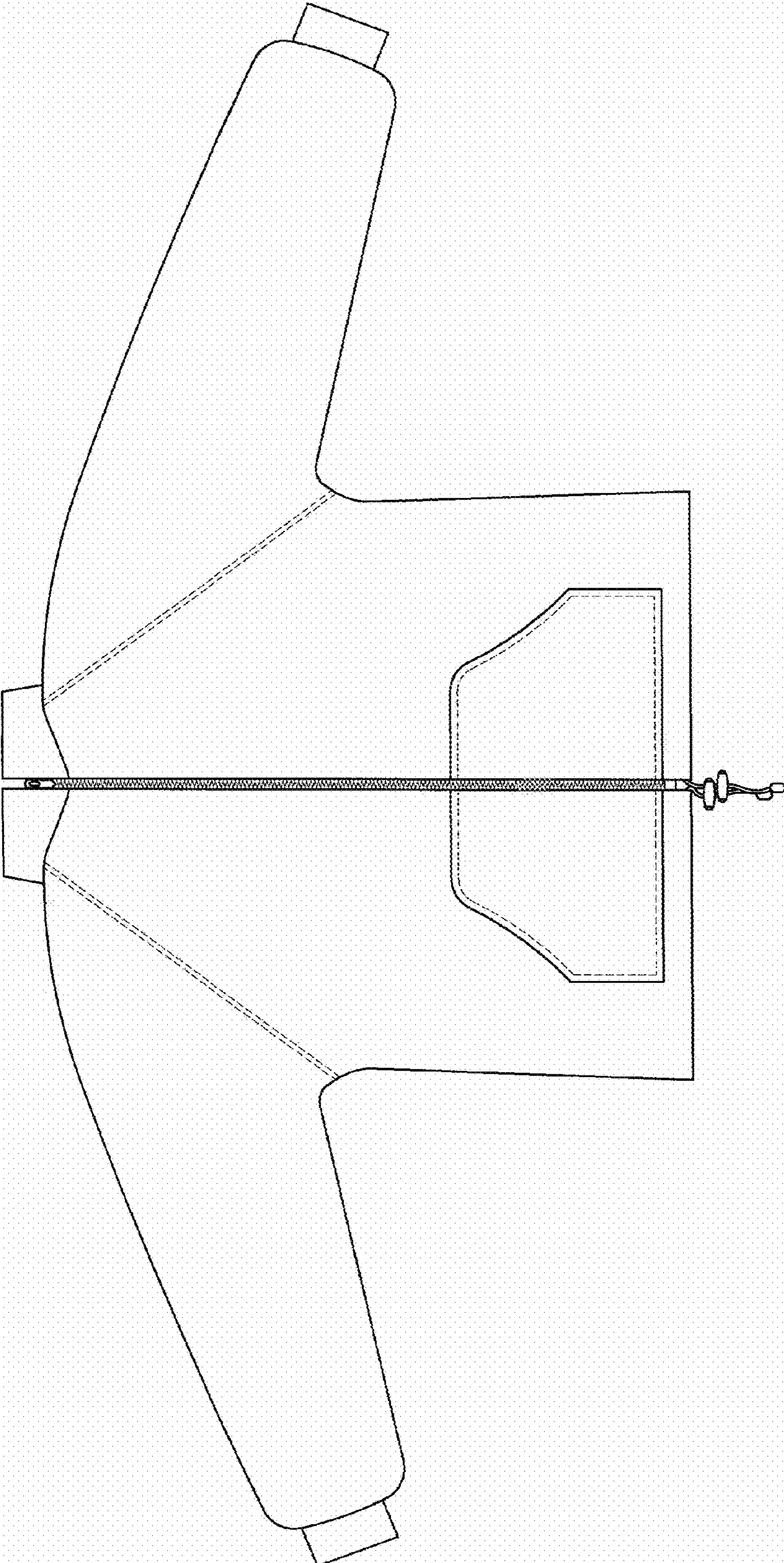


FIG. 1

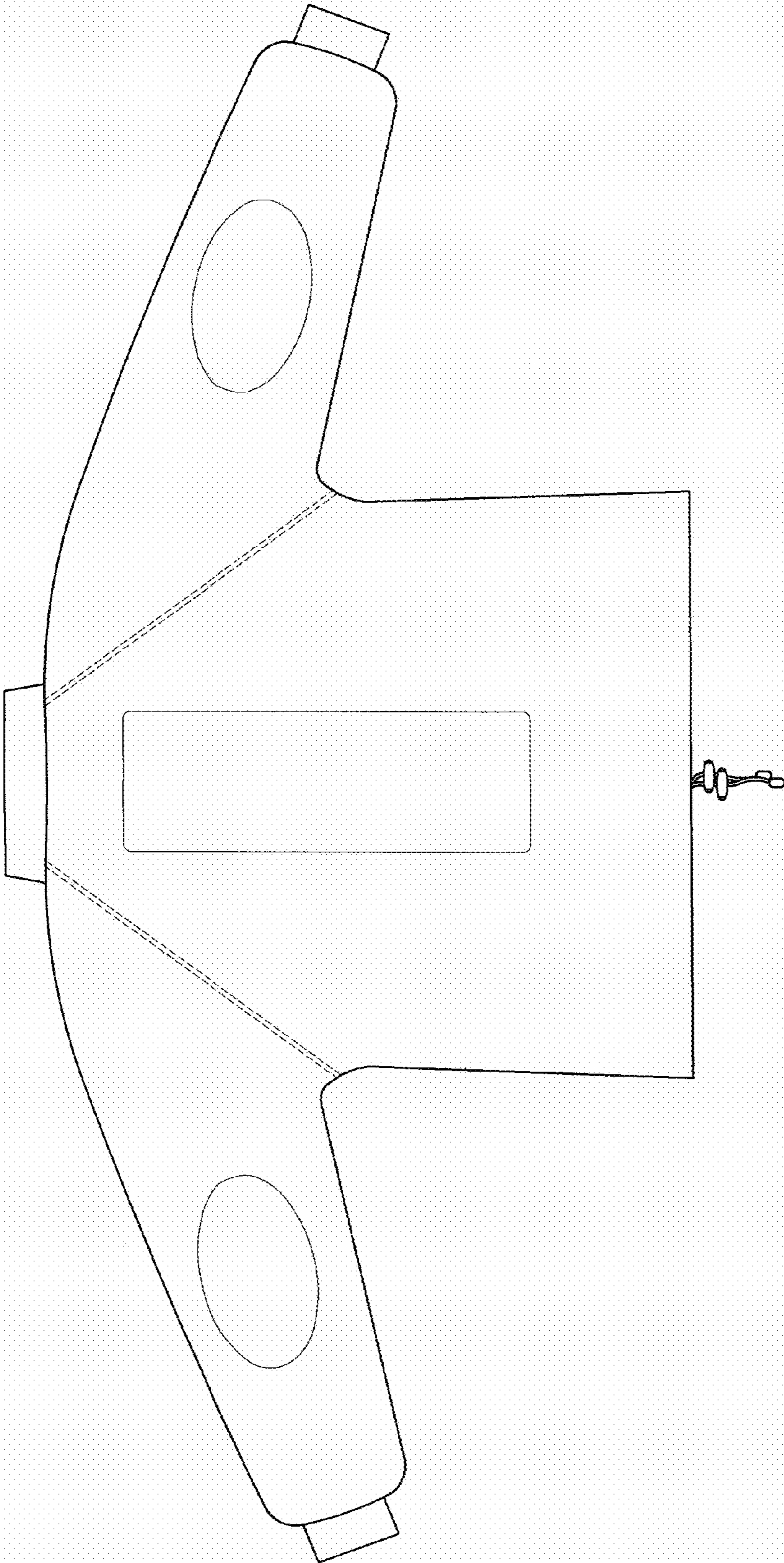


FIG. 2