



US00D732791S

(12) **United States Design Patent**
Enoch et al.

(10) **Patent No.:** **US D732,791 S**
(45) **Date of Patent:** **** Jun. 30, 2015**

(54) **PET FOOD PIECE**

(71) Applicant: **HILL'S PET NUTRITION, INC.,**
Topeka, KS (US)

(72) Inventors: **Oyinlola Enoch, Lawrence, KS (US);**
Gary Kenney, Topeka, KS (US)

(73) Assignee: **Hill's Pet Nutrition, Inc., Topeka, KS**
(US)

(**) Term: **14 Years**

(21) Appl. No.: **29/497,270**

(22) Filed: **Jul. 22, 2014**

(51) **LOC (10) Cl.** **01-01**

(52) **U.S. Cl.**
USPC **D1/130; D1/127**

(58) **Field of Classification Search**
USPC D1/100-130, 199; 426/104, 108, 138,
426/391, 549, 808, 94, 143, 559, 560;
D11/12, 24, 40, 43, 79, 86, 95;
D24/101-104; 446/118, 128; D21/484,
D21/499, 503, 335; D9/707, 756
See application file for complete search history.

(56) **References Cited**

U.S. PATENT DOCUMENTS

D234,099 S *	1/1975	Gobble et al.	D1/129
D298,180 S	10/1988	Gerstman et al.	
D298,280 S	11/1988	Concepcion et al.	
D300,680 S	4/1989	Gerstman et al.	
D302,346 S	7/1989	Gerstman et al.	
D303,450 S	9/1989	Concepcion et al.	
D306,790 S	3/1990	Tabor et al.	
D309,366 S	7/1990	Concepcion et al.	
D314,855 S *	2/1991	Puglisi et al.	D1/127
D354,613 S	1/1995	Kreger	
D358,962 S	6/1995	Benham et al.	
D375,395 S	11/1996	Gluszak et al.	
D376,056 S	12/1996	Kelly	

D387,491 S *	12/1997	Hester	D28/68
D425,287 S	5/2000	Mederer	
D427,743 S	7/2000	Macias	
D435,160 S	12/2000	Macias	
D436,428 S	1/2001	Wolff	
D444,615 S *	7/2001	Borland et al.	D1/199
D448,139 S	9/2001	Reardon	
D455,890 S	4/2002	Codilis	
6,468,569 B1 *	10/2002	Dunker et al.	426/94
D469,239 S	1/2003	Hodgdon	
D475,504 S	6/2003	Hodgdon	
D493,604 S *	8/2004	Willoughby	D1/129
D495,465 S	9/2004	Tepper et al.	
6,852,347 B2 *	2/2005	Hayes-Jacobson	426/94
D502,586 S	3/2005	Chatel	
D512,199 S	12/2005	Ibanez	
D515,274 S	2/2006	Griebel et al.	
D517,273 S	3/2006	Harrington et al.	
D522,714 S *	6/2006	Tebow et al.	D1/129
D532,182 S	11/2006	Hopkins et al.	
D537,562 S	2/2007	Taniguchi et al.	
D576,776 S	9/2008	Klacik et al.	
D589,208 S *	3/2009	Taniguchi et al.	D28/4
D600,426 S	9/2009	Dennison	
7,585,531 B2 *	9/2009	Baumeister et al.	426/439
D605,829 S	12/2009	Alimenti	

(Continued)

Primary Examiner — Deanna L Pratt

Assistant Examiner — Katie Mroczka

(74) *Attorney, Agent, or Firm* — Judy W. Chung

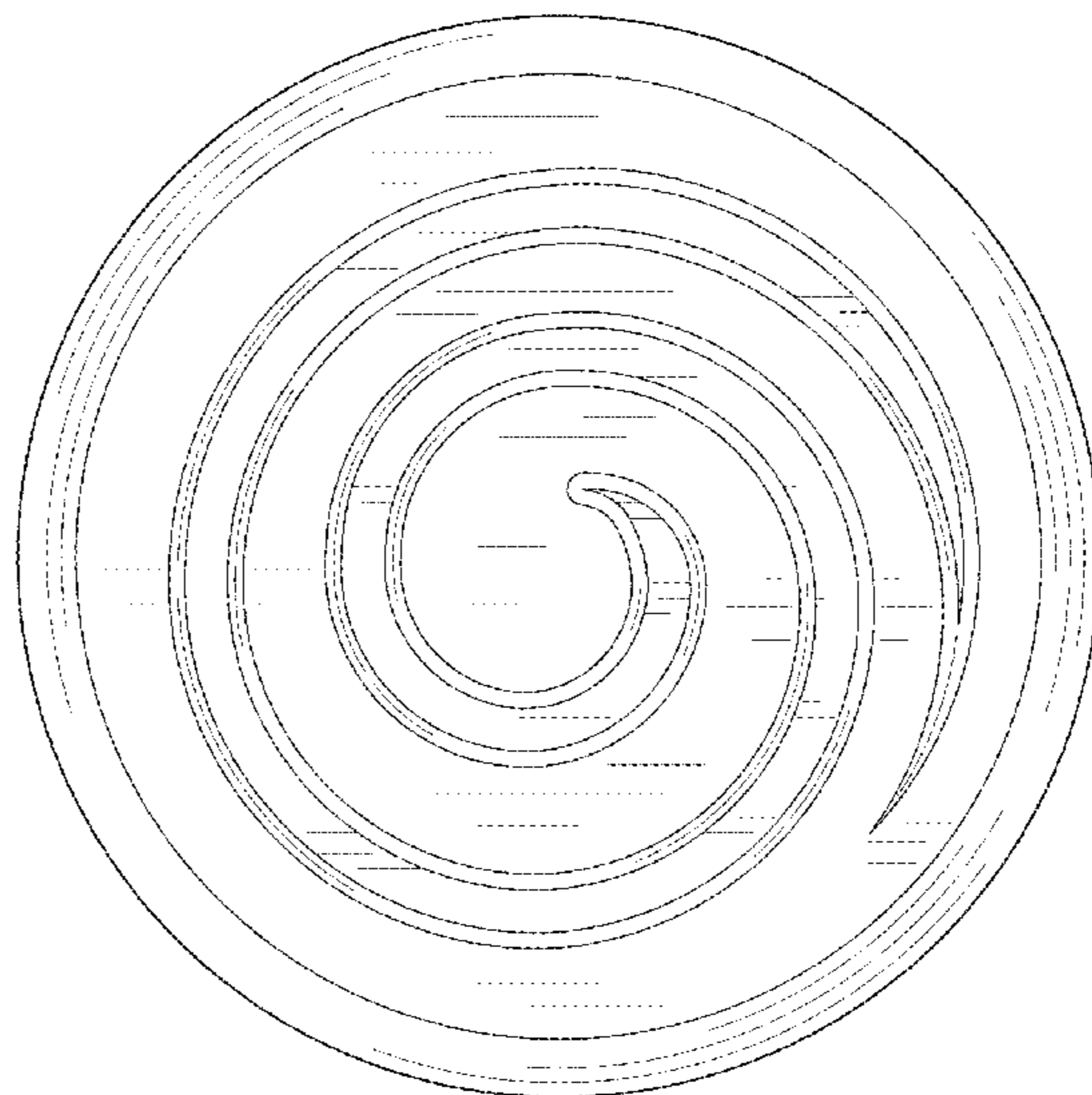
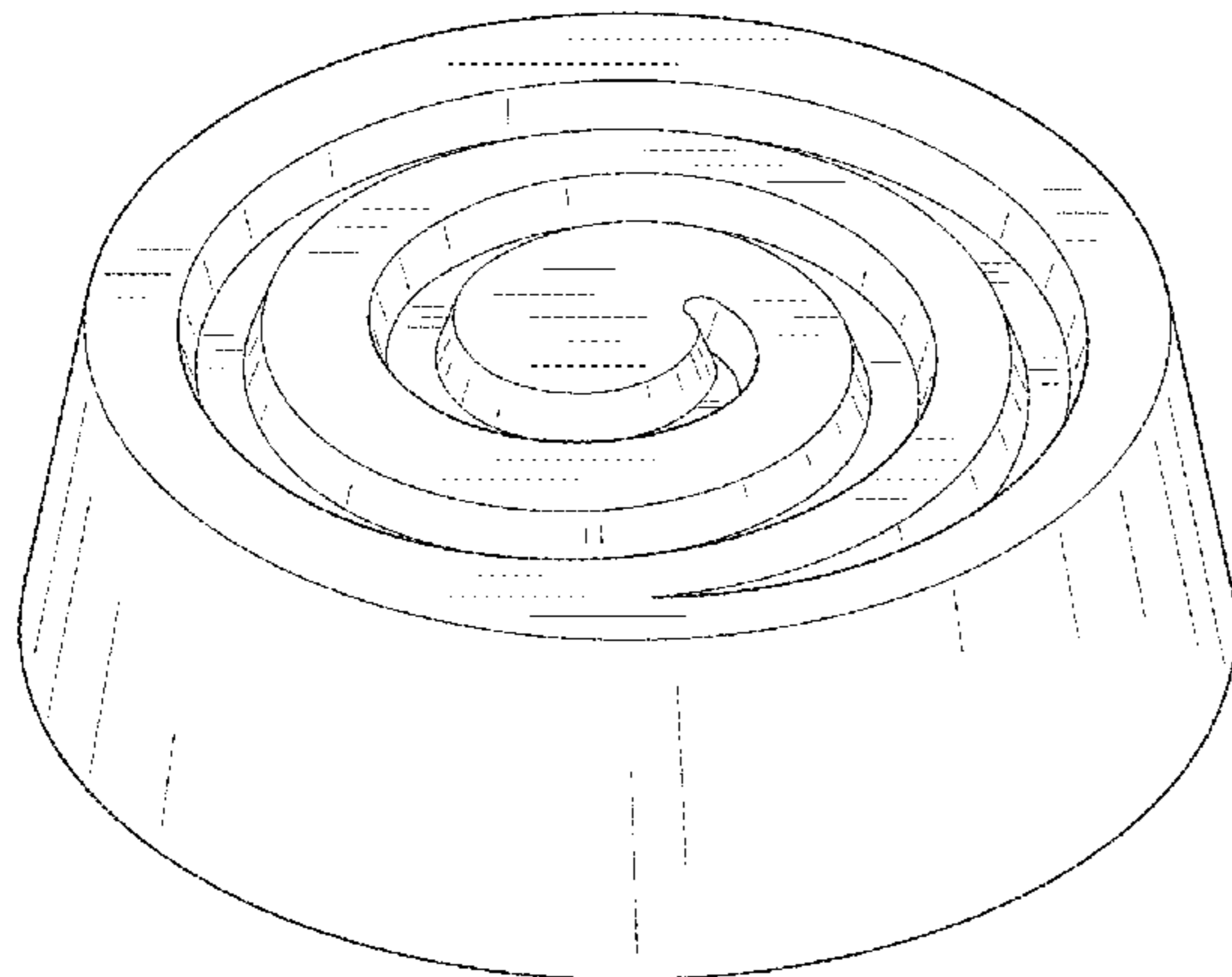
(57) **CLAIM**

The ornamental design for a pet food piece, as shown and described.

DESCRIPTION

FIG. 1 is a top perspective view of a pet food piece according to the new design;
FIG. 2 is a bottom perspective view thereof;
FIG. 3 is a side view thereof;
FIG. 4 is a top plan view thereof; and,
FIG. 5 is a bottom plan view thereof.

1 Claim, 5 Drawing Sheets



(56)

References Cited

U.S. PATENT DOCUMENTS

D607,177 S 1/2010 Roskam
D609,877 S 2/2010 Kadow-Dougherty
D644,817 S * 9/2011 Hanna et al. D1/115
D650,966 S 12/2011 Maher

D683,516 S 6/2013 Elias
D687,616 S 8/2013 Smith et al.
D696,837 S 1/2014 Lu et al.
D715,450 S * 10/2014 Bredemeier et al. D24/195
2003/0157222 A1 * 8/2003 Henry et al. 426/94

* cited by examiner

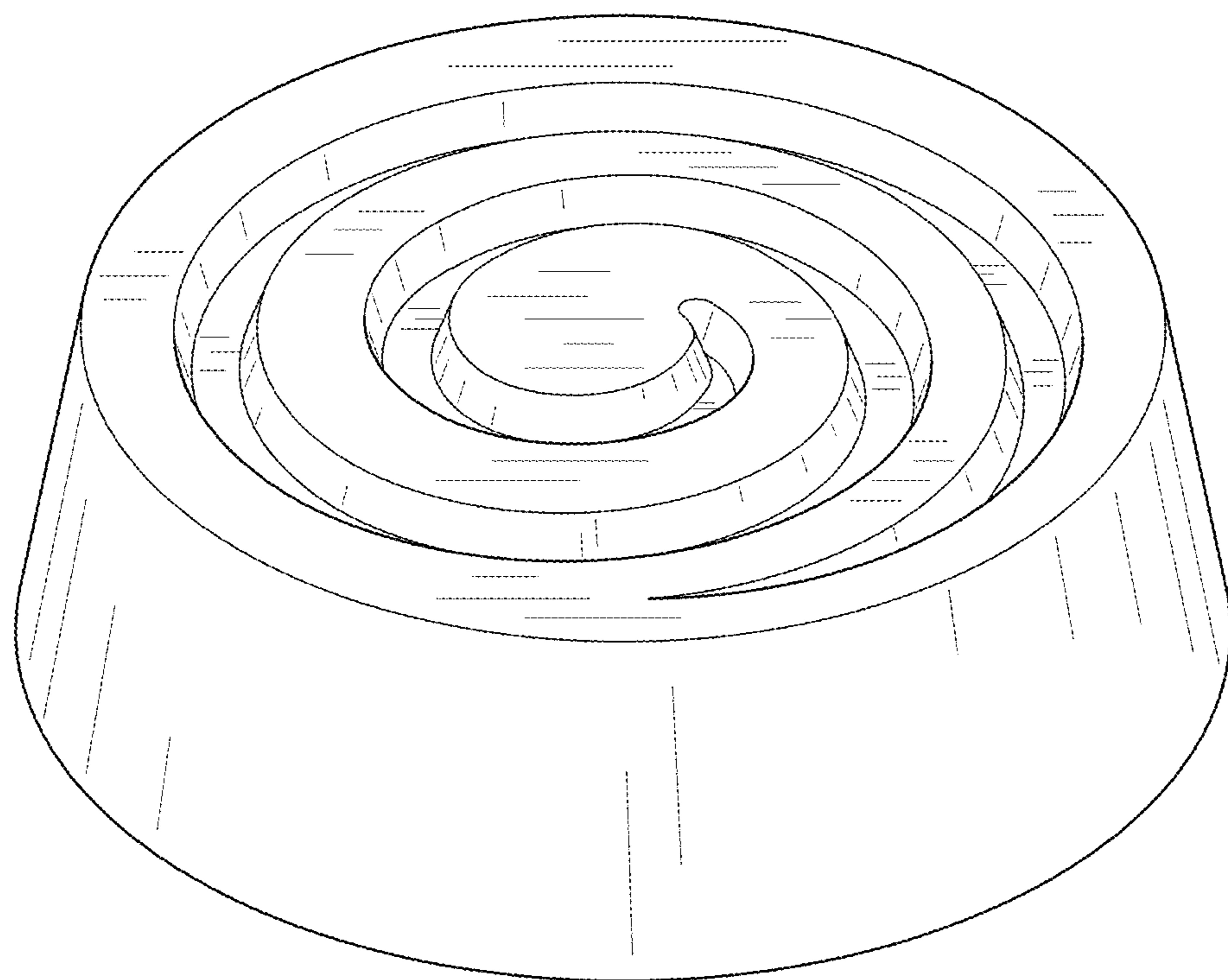


FIG. 1

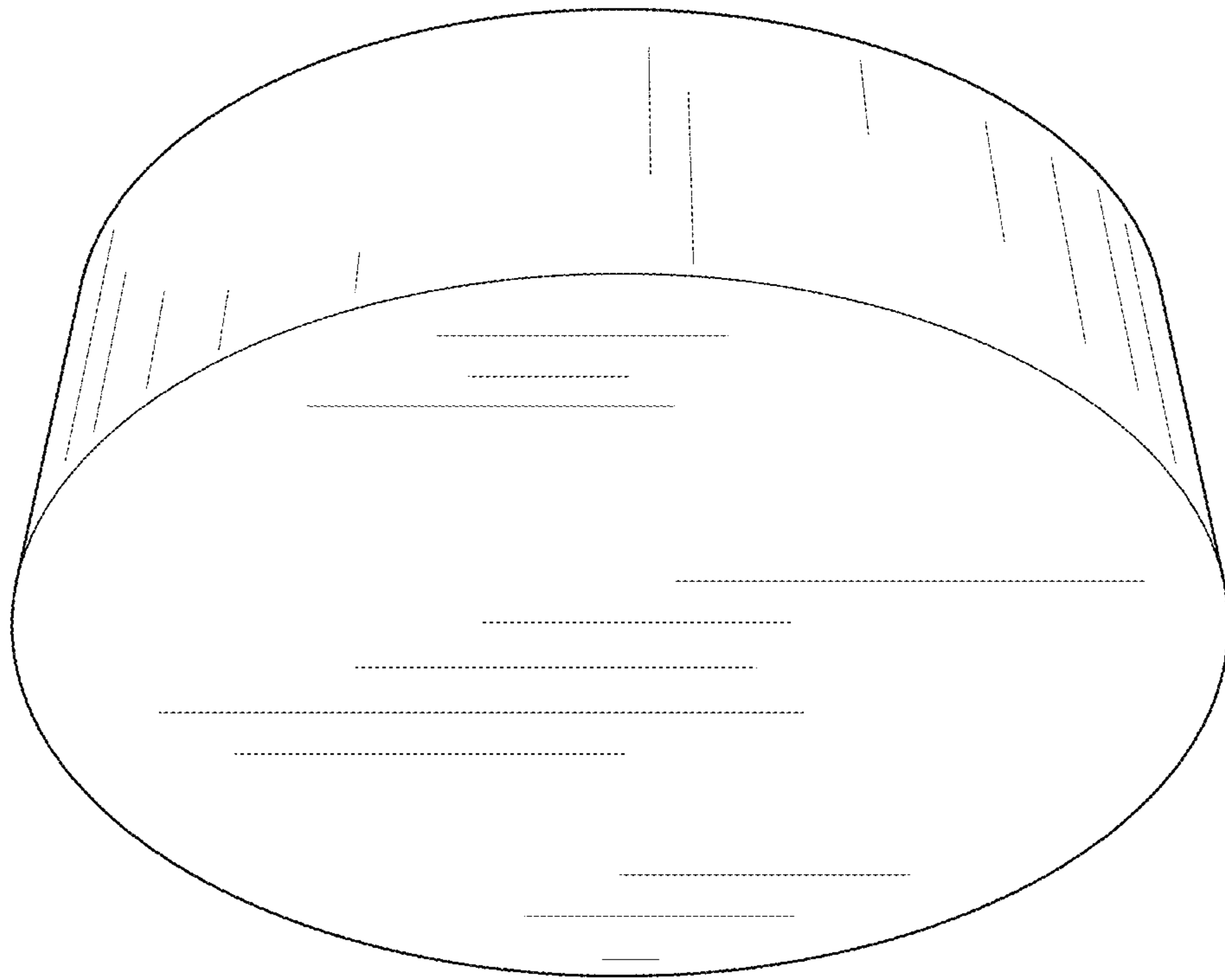


FIG. 2

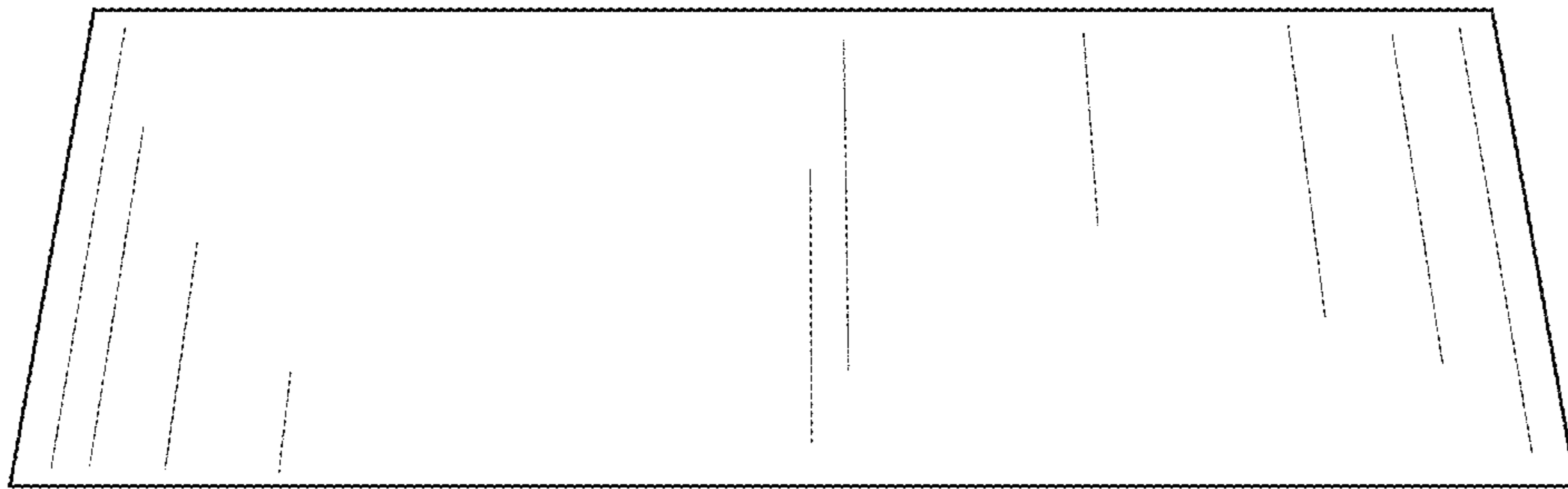


FIG. 3

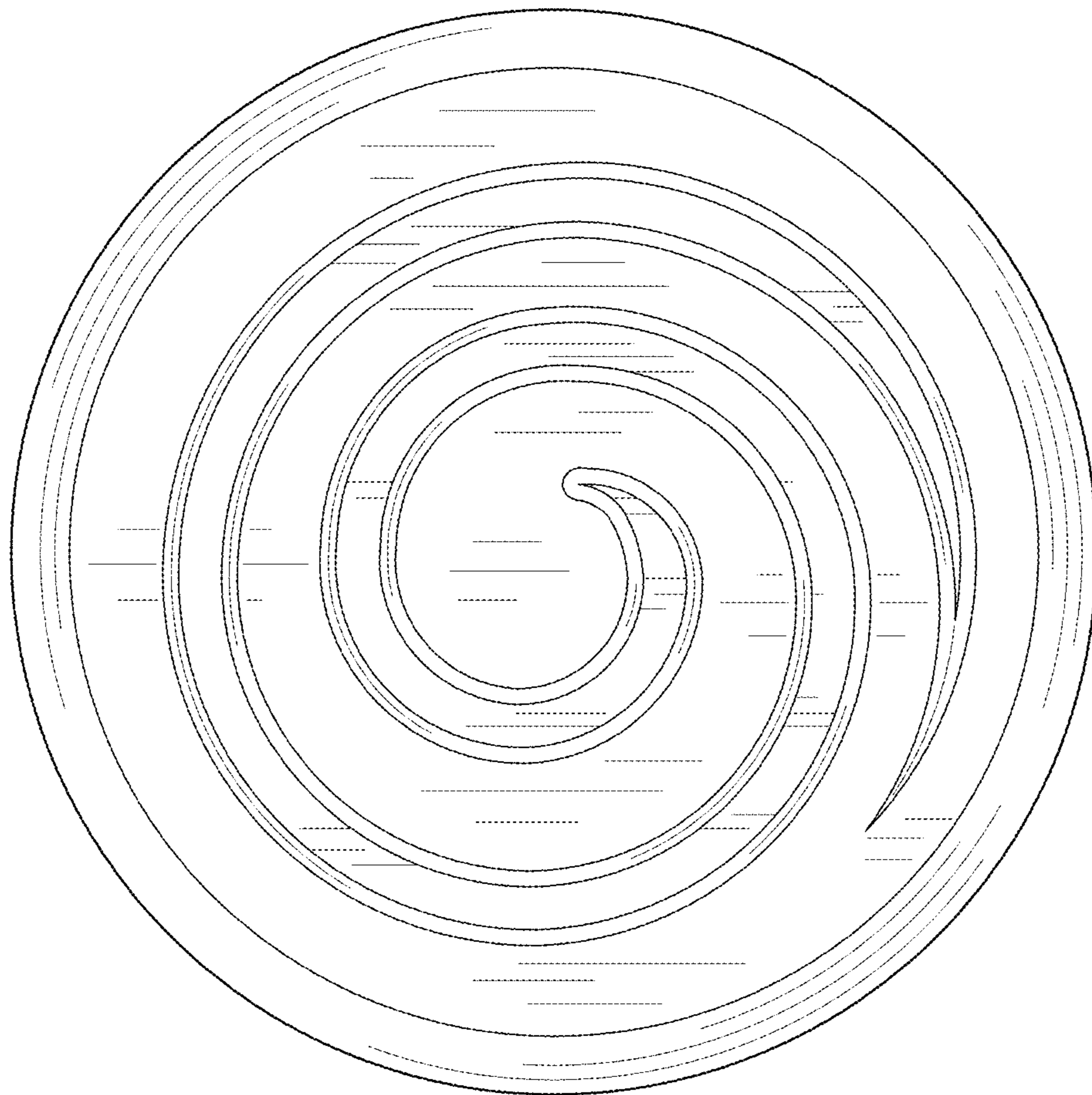


FIG. 4

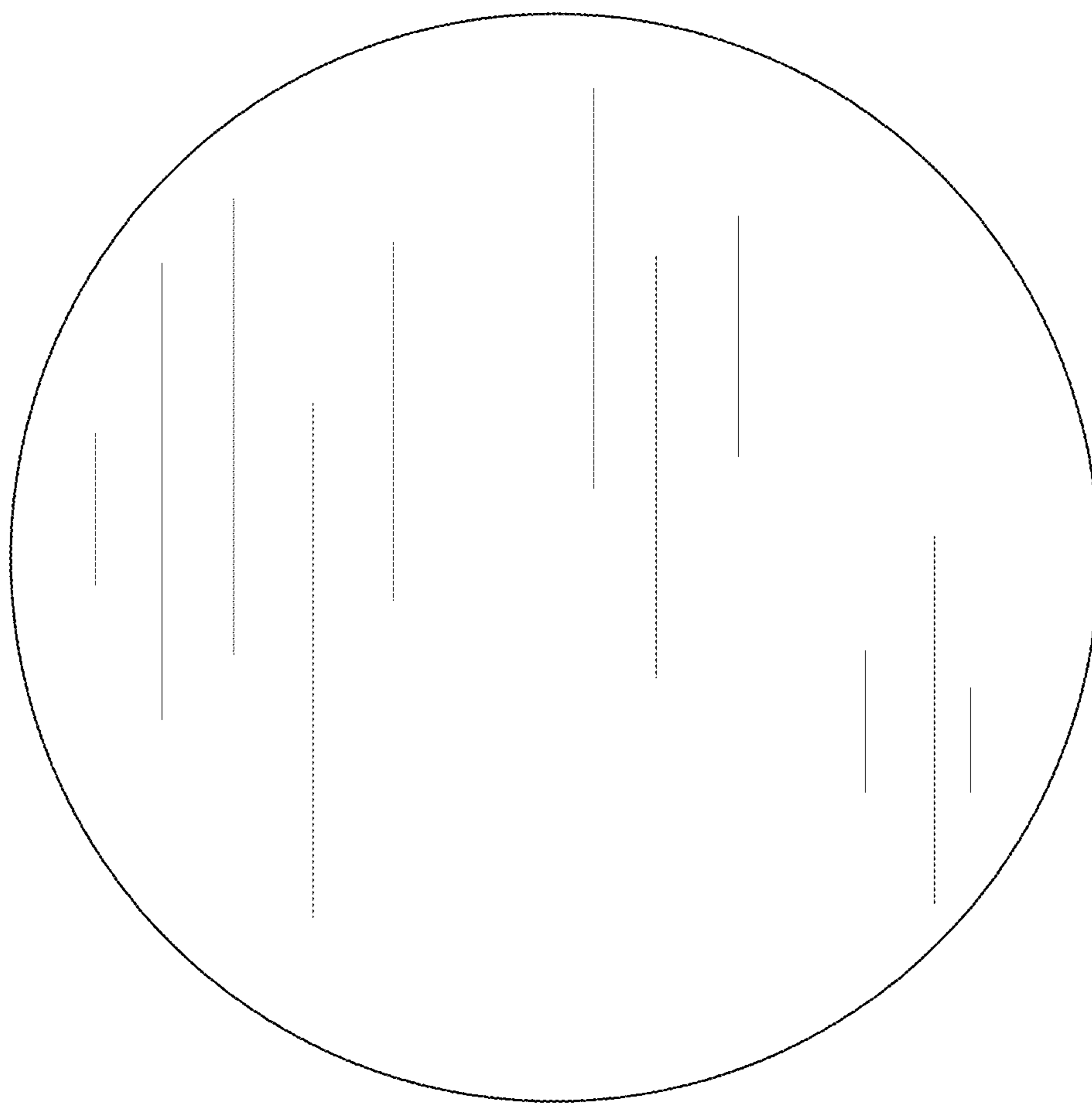


FIG. 5