



US00D732790S

(12) **United States Design Patent**  
**van der Linden**

(10) **Patent No.:** **US D732,790 S**  
(45) **Date of Patent:** **\*\* Jun. 23, 2015**

(54) **TABLE WITH SAFE**

(71) Applicant: **Simanos S.L.**, Javea (ES)

(72) Inventor: **Marcel van der Linden**, Javea (ES)

(73) Assignee: **Simanos S.L.**, Javea (ES)

(\*\*) Term: **14 Years**

(21) Appl. No.: **29/452,560**

(22) Filed: **Apr. 18, 2013**

(30) **Foreign Application Priority Data**

Oct. 18, 2012 (EM) ..... 002120741-0001

(51) **LOC (10) Cl.** ..... **99-00**

(52) **U.S. Cl.**  
USPC ..... **D99/43**

(58) **Field of Classification Search**  
USPC ..... D99/28, 34, 35, 36, 37, 43, 99;  
D6/406.1, 641, 642, 645, 685, 686,  
D6/687, 688, 691; 109/1 R, 1 V, 2, 45, 49.5,  
109/58, 59 R, 78, 81; 206/0.8, 0.815, 0.82,  
206/317, 527; 902/9  
See application file for complete search history.

(56) **References Cited**

**U.S. PATENT DOCUMENTS**

406,122 A \* 7/1889 Brown ..... 109/58  
1,447,462 A \* 3/1923 Butscher et al. .... 109/58  
D117,349 S \* 10/1939 Davis ..... D6/397  
D132,962 S \* 7/1942 Salomon ..... D6/510  
2,647,716 A \* 8/1953 Hudziak et al. .... 248/231.81  
2,906,412 A \* 9/1959 Tanner ..... 211/74  
D206,033 S \* 10/1966 Koch ..... D99/28  
3,364,884 A \* 1/1968 Hamilton et al. .... 108/124  
D308,744 S \* 6/1990 Arauchi ..... D99/28

D319,358 S \* 8/1991 Giugiaro ..... D6/406.6  
D516,768 S \* 3/2006 Walker ..... D99/28  
D516,769 S \* 3/2006 Walker ..... D99/28  
D517,269 S \* 3/2006 Walker ..... D99/28  
D551,876 S \* 10/2007 Gusdorf et al. .... D6/406.6  
D557,875 S \* 12/2007 Stuhlberg et al. .... D99/28  
D607,175 S \* 12/2009 Stevens ..... D99/43  
D619,775 S \* 7/2010 Pendleton ..... D99/28  
D619,822 S \* 7/2010 Damgaard-Sorensen .. D6/406.1

(Continued)

*Primary Examiner* — Elizabeth J Oswecki

(74) *Attorney, Agent, or Firm* — Hovey Williams LLP

(57) **CLAIM**

The ornamental design for a table with safe, as shown and described.

**DESCRIPTION**

FIG. 1 is a front right perspective view of a table with safe showing my new design, with the table bottom in a raised position;

FIG. 2 is a bottom left perspective view of FIG. 1;

FIG. 3 is a left side elevation view of FIG. 1;

FIG. 4 is a front elevation view of FIG. 1;

FIG. 5 is a right side elevation view of FIG. 1;

FIG. 6 is a top plan view of FIG. 1;

FIG. 7 is a bottom plan view of FIG. 1;

FIG. 8 is another front right perspective view thereof with the table bottom in a lowered position;

FIG. 9 is another bottom left perspective view of FIG. 8;

FIG. 10 is a left side elevation view of FIG. 8;

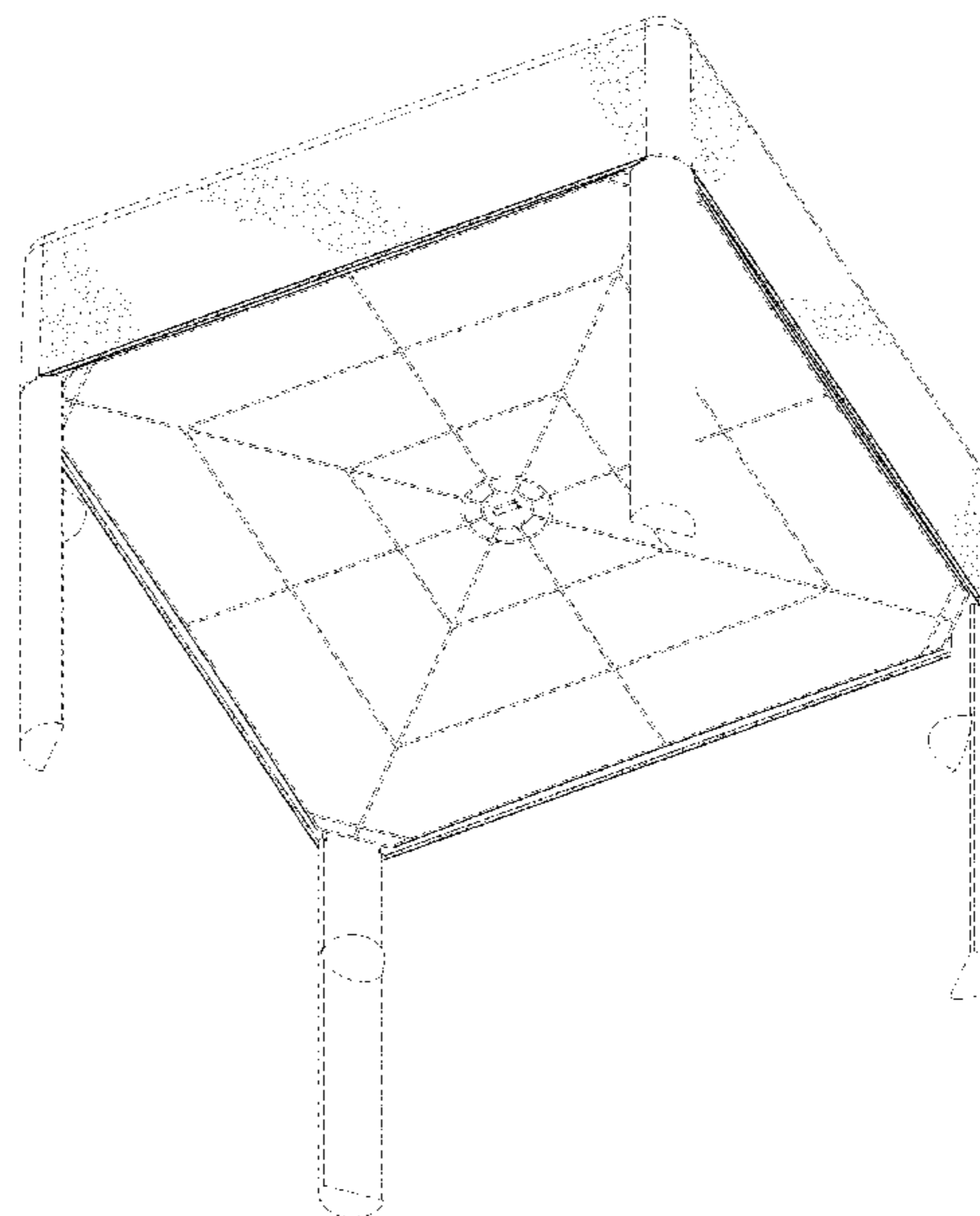
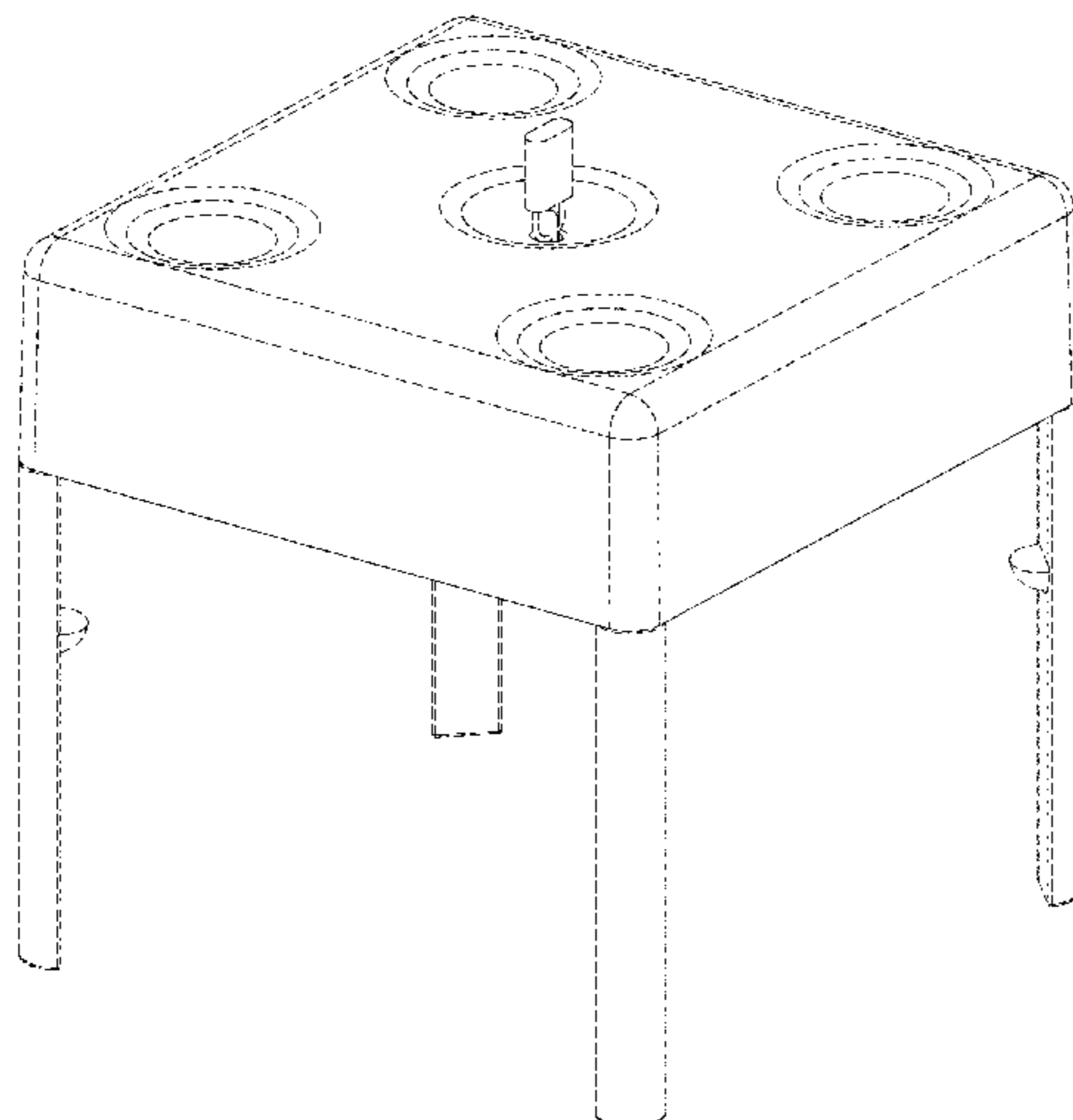
FIG. 11 is a front elevation view of FIG. 8;

FIG. 12 is a right side elevation view of FIG. 8; and,

FIG. 13 is a top plan view of FIG. 8.

The broken lines shown in the drawings represent portions of the table with safe that form no part of the claimed design. All surfaces not shown form no part of the claimed design.

**1 Claim, 13 Drawing Sheets**



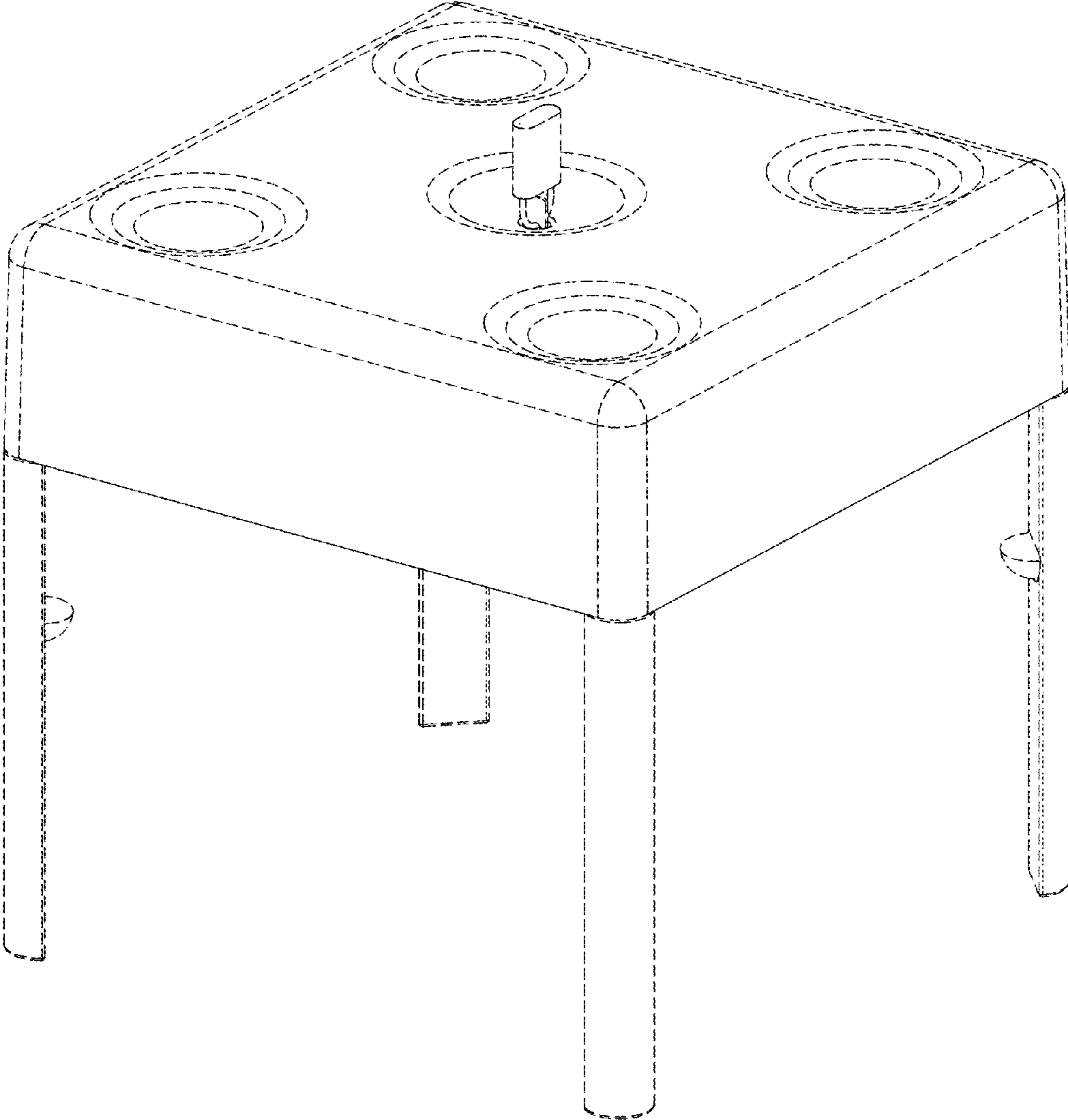
(56)

**References Cited**

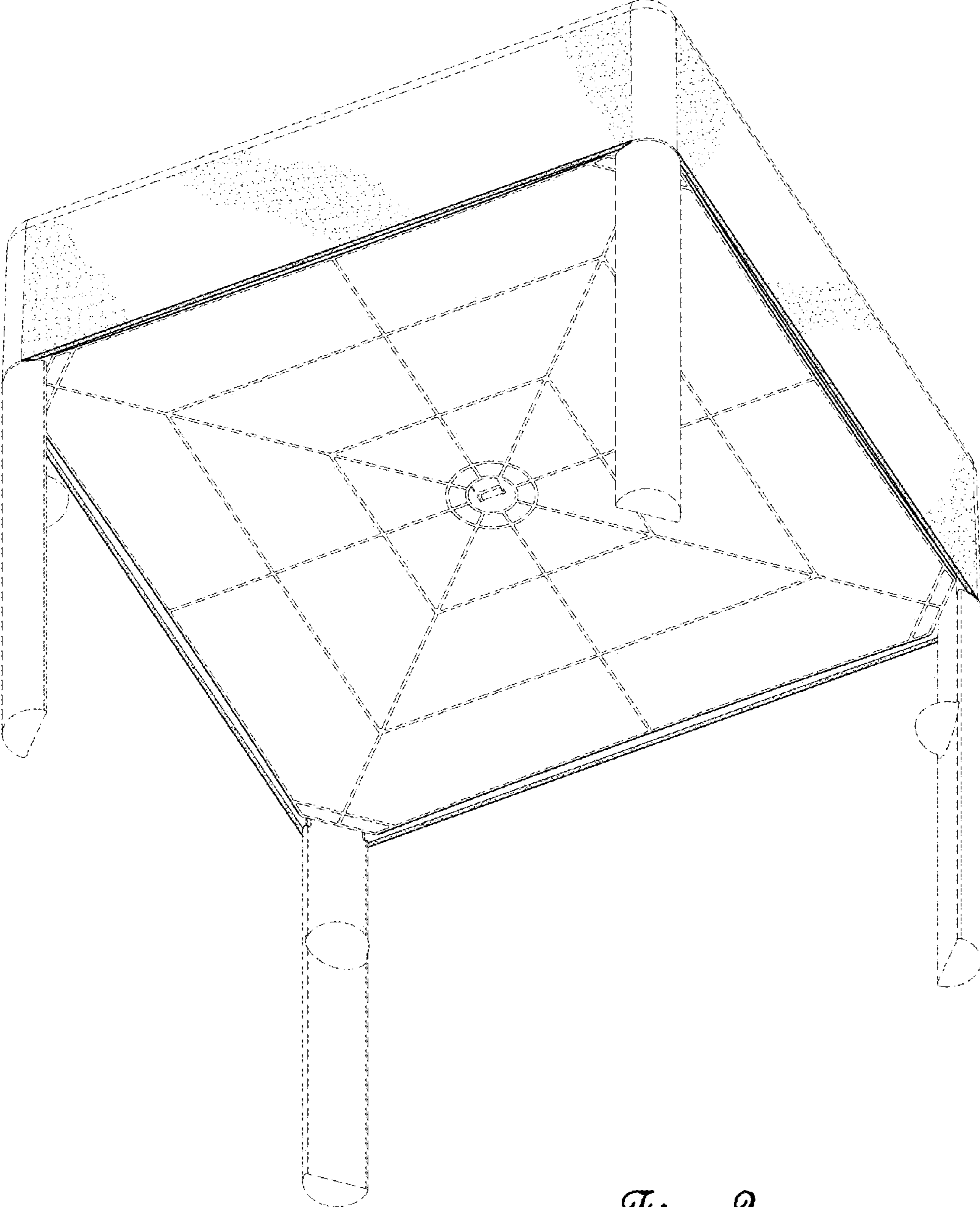
U.S. PATENT DOCUMENTS

D620,675 S *	7/2010	Doettling .....	D99/28	D649,663 S *	11/2011	Tarter et al. ....	D25/199
D623,824 S *	9/2010	Pendleton .....	D99/28	D651,785 S *	1/2012	Martin et al. ....	D99/28
D624,274 S *	9/2010	Pendleton .....	D99/28	D659,944 S *	5/2012	Pendleton .....	D99/28
D624,275 S *	9/2010	Min .....	D99/28	D669,245 S *	10/2012	Skinner .....	D99/28
7,810,717 B2 *	10/2010	Schoeffler et al. ....	235/379	D671,705 S *	11/2012	Edmondson .....	D99/28
D635,324 S *	3/2011	Plato .....	D99/28	D673,345 S *	12/2012	Pendleton .....	D99/28
				D714,513 S *	9/2014	Scott .....	D99/28
				D716,077 S *	10/2014	Hsu .....	D6/675
				2009/0189497 A1 *	7/2009	Stenbakken .....	312/248

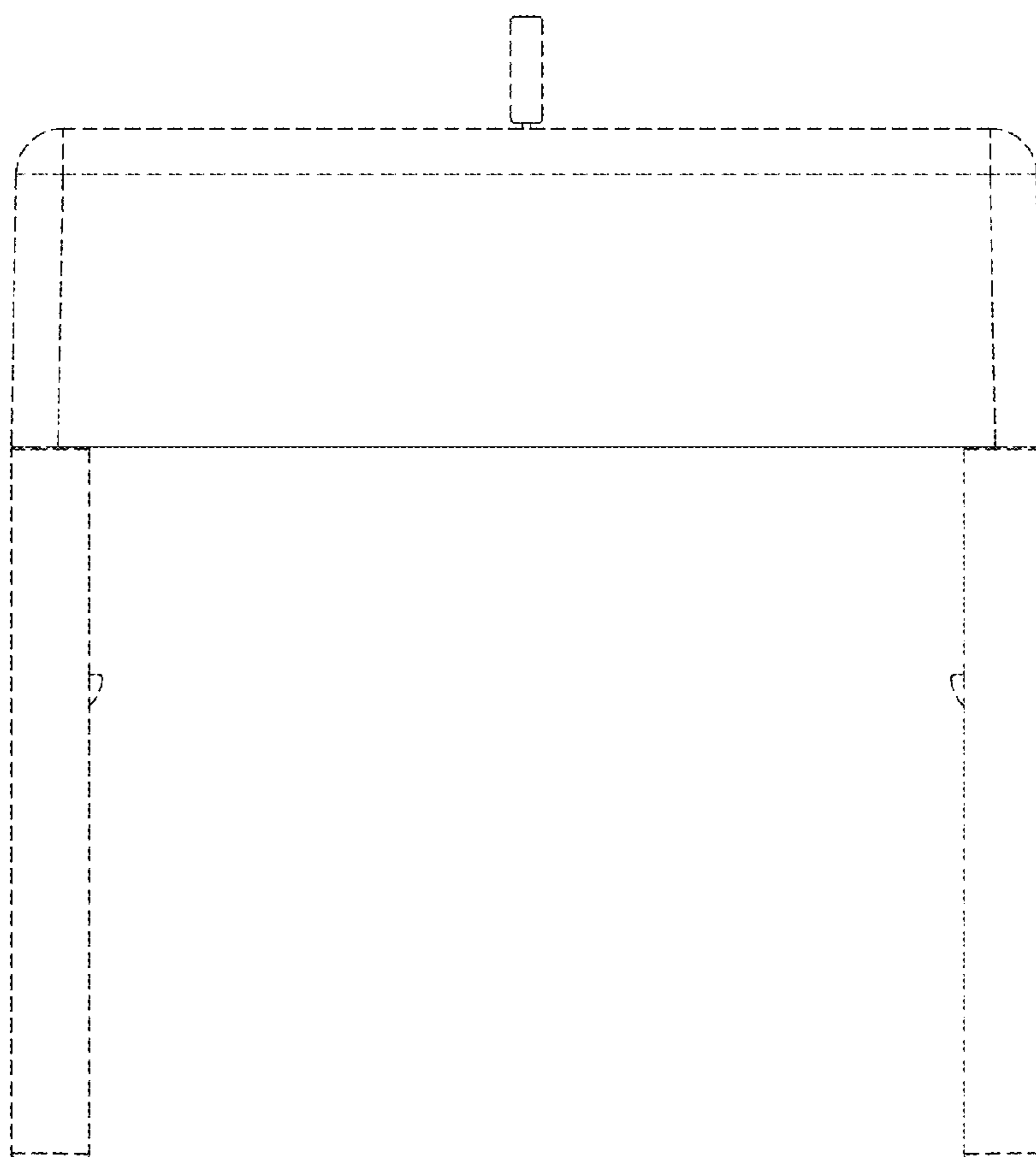
\* cited by examiner



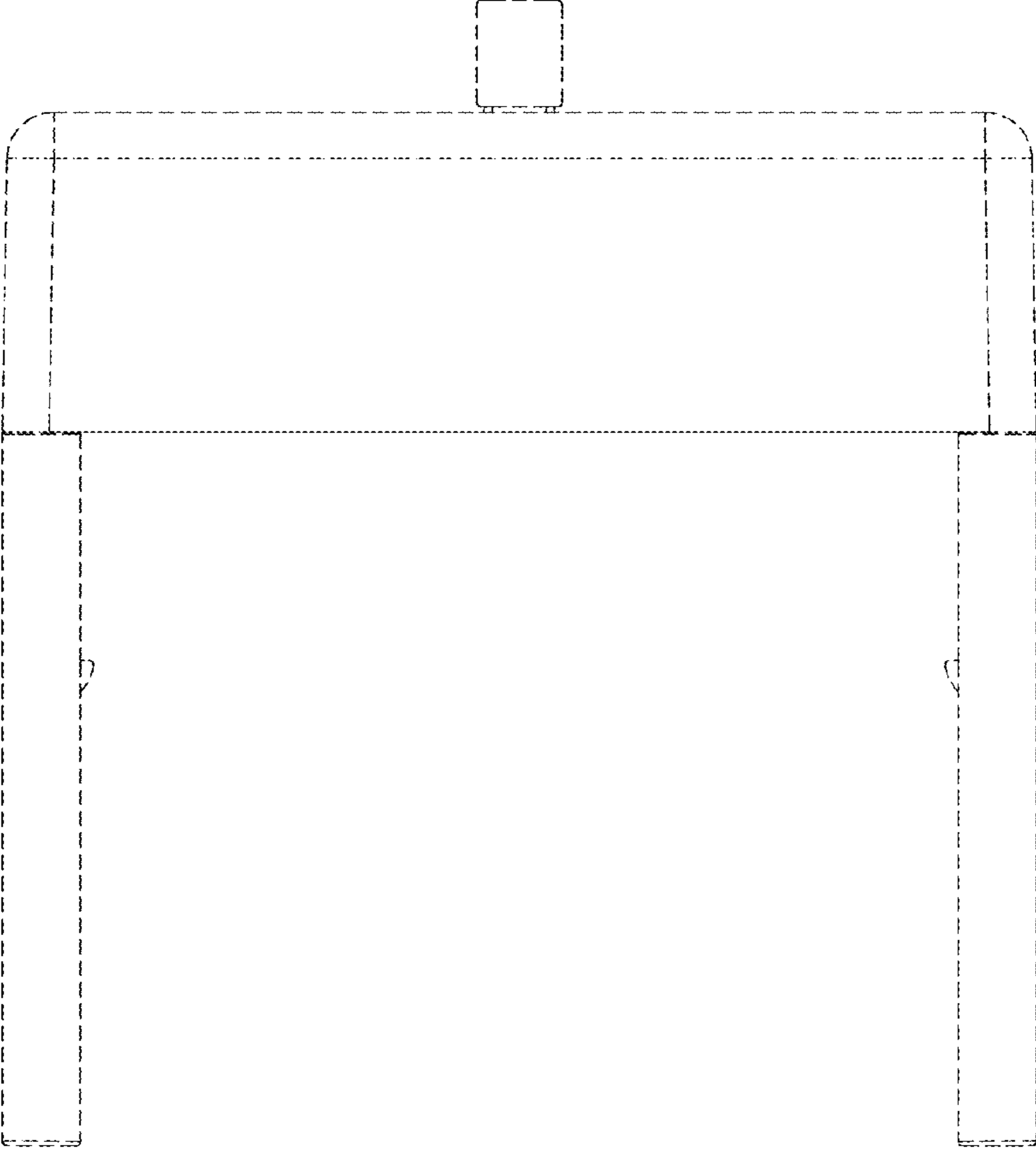
*Fig. 1.*



*Fig. 2.*

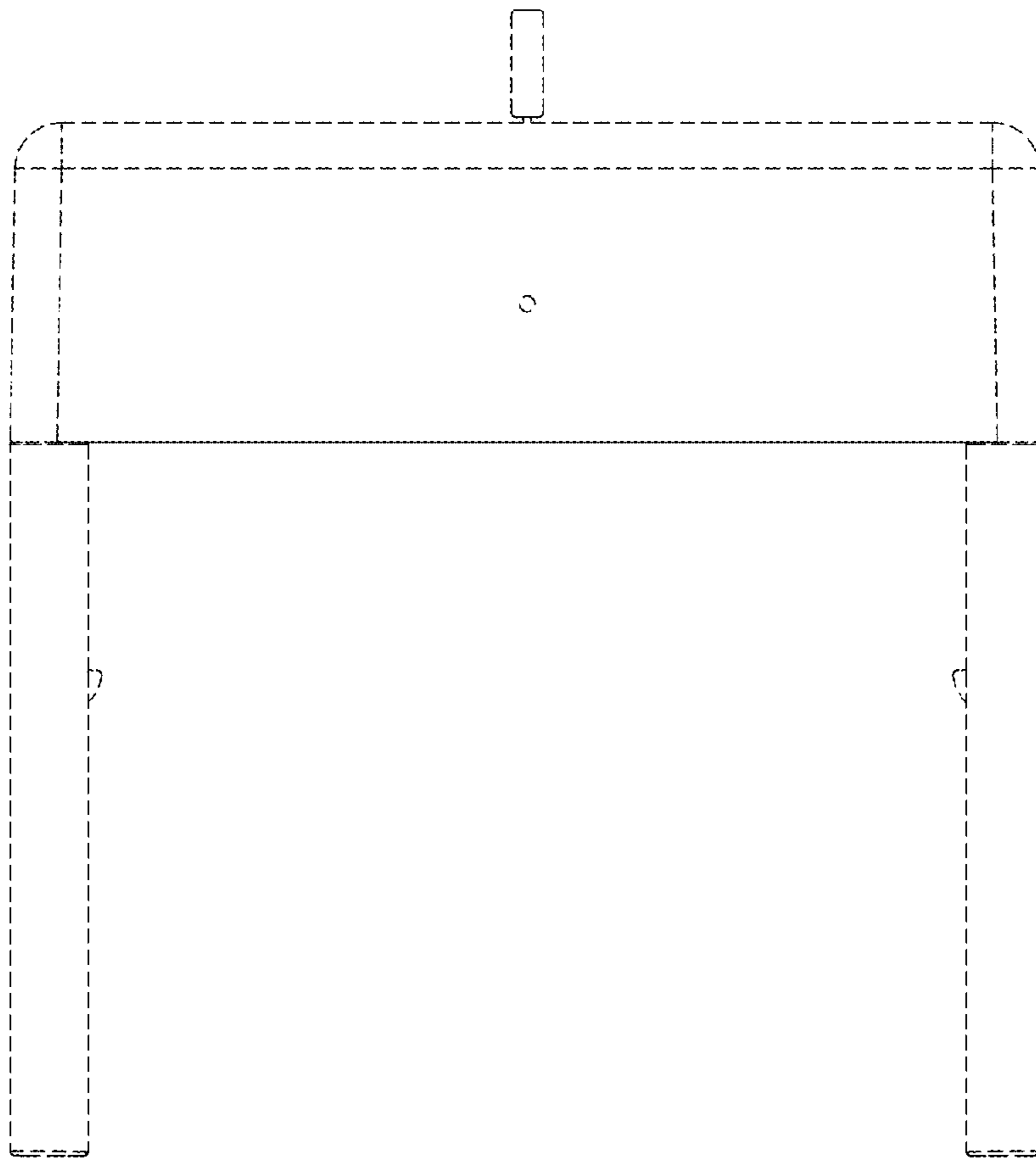


*Fig. 3.*

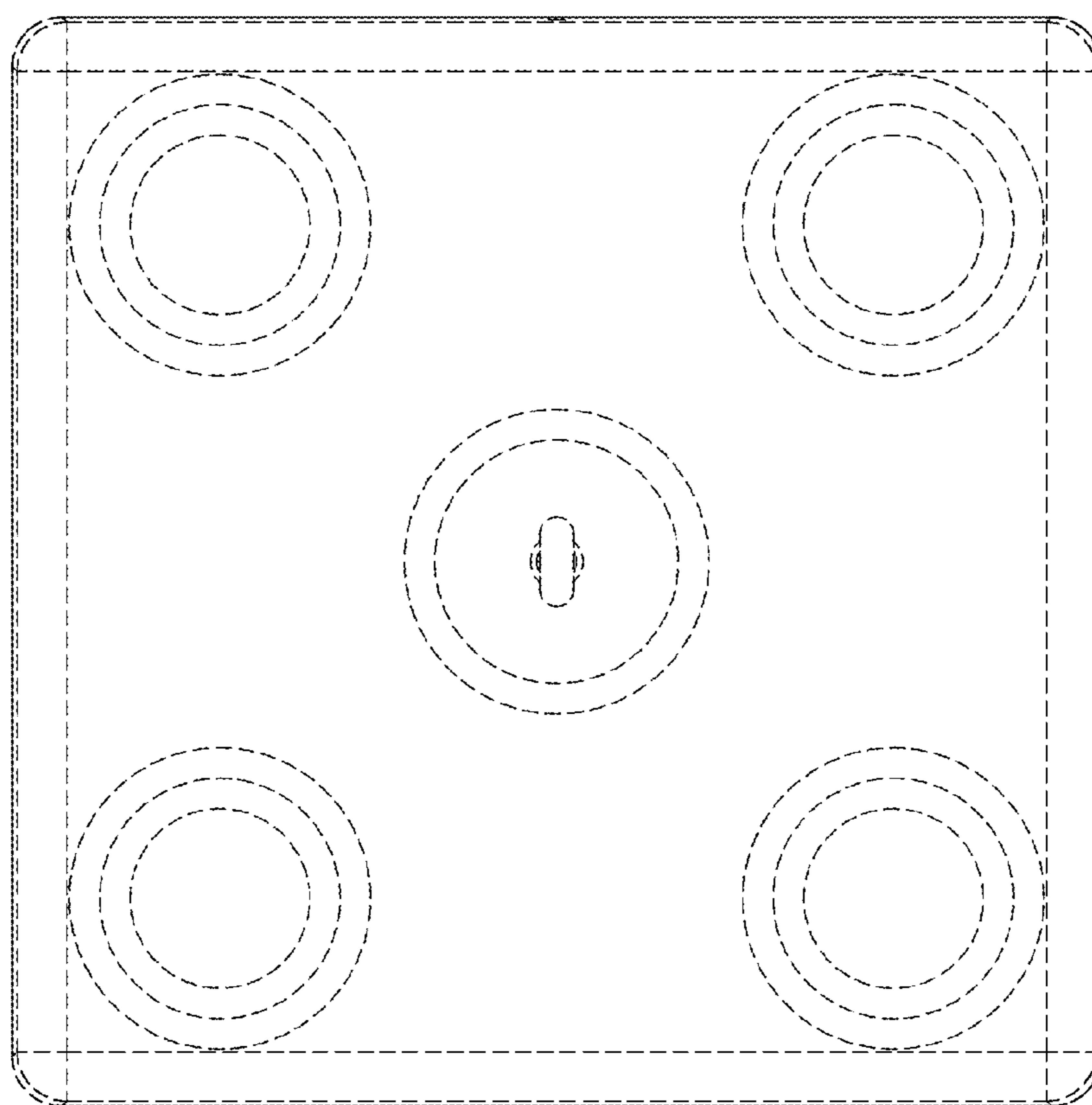


*Fig. 4.*



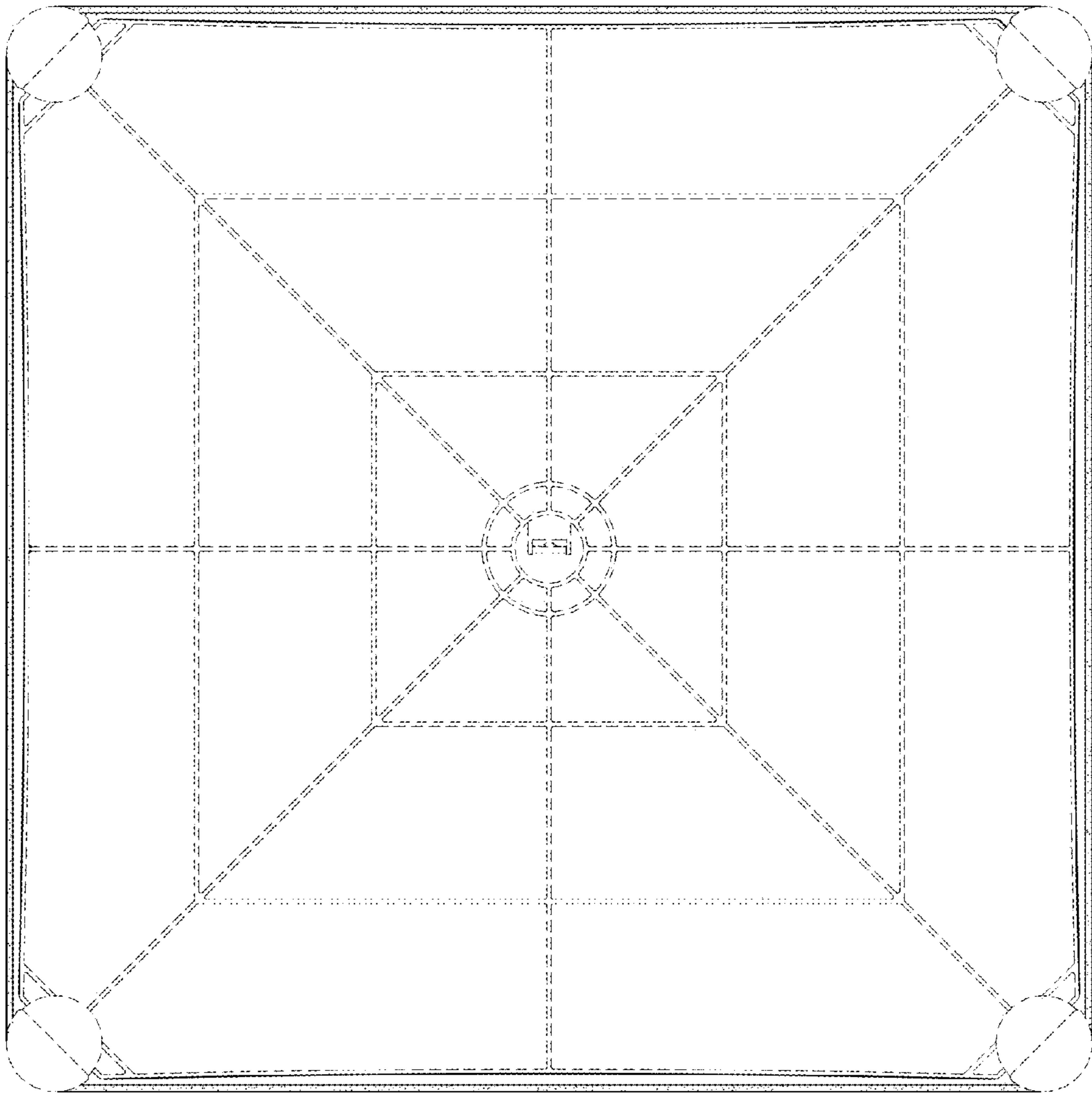


*Fig. 5.*

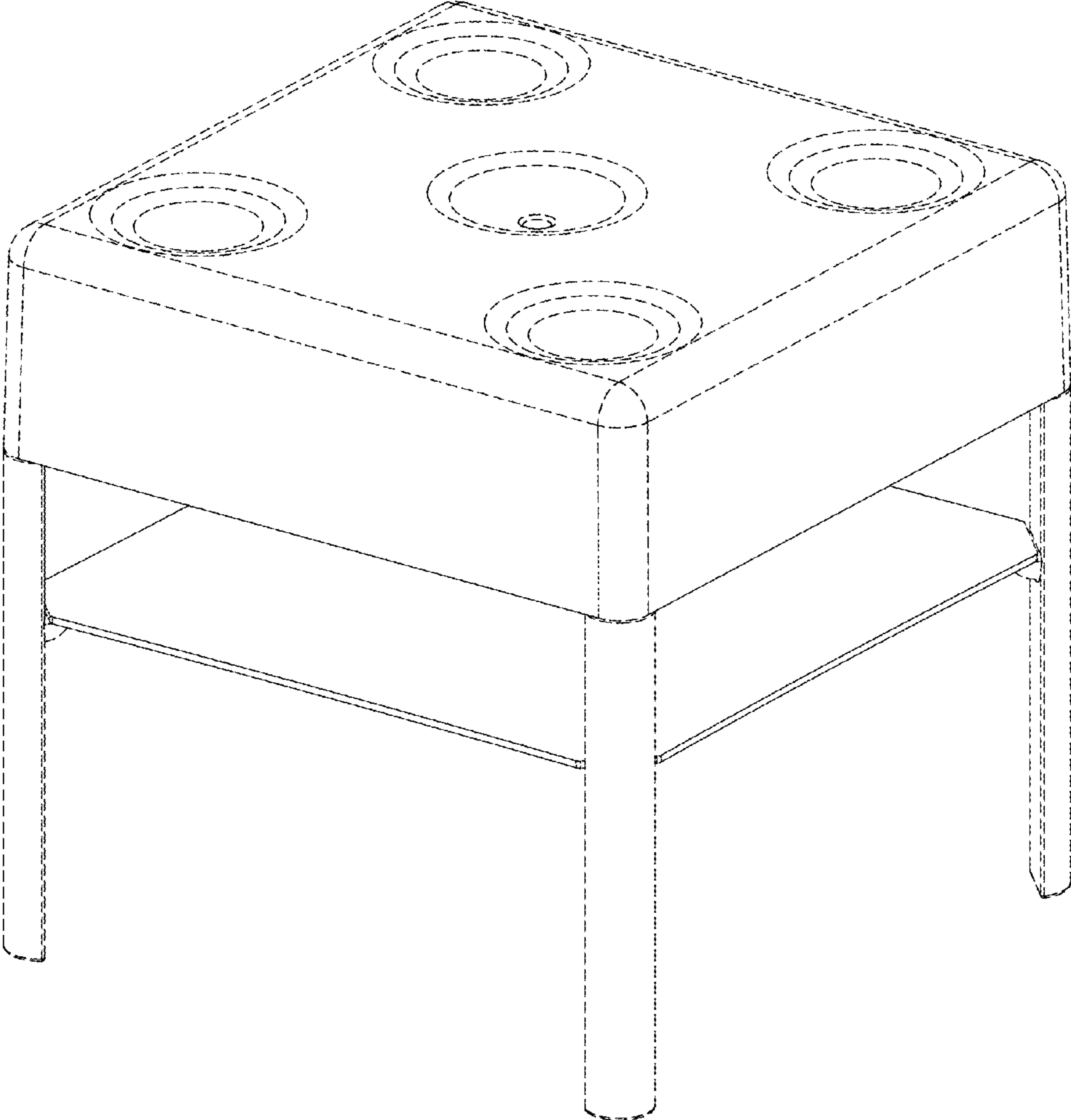


*Fig. 6.*

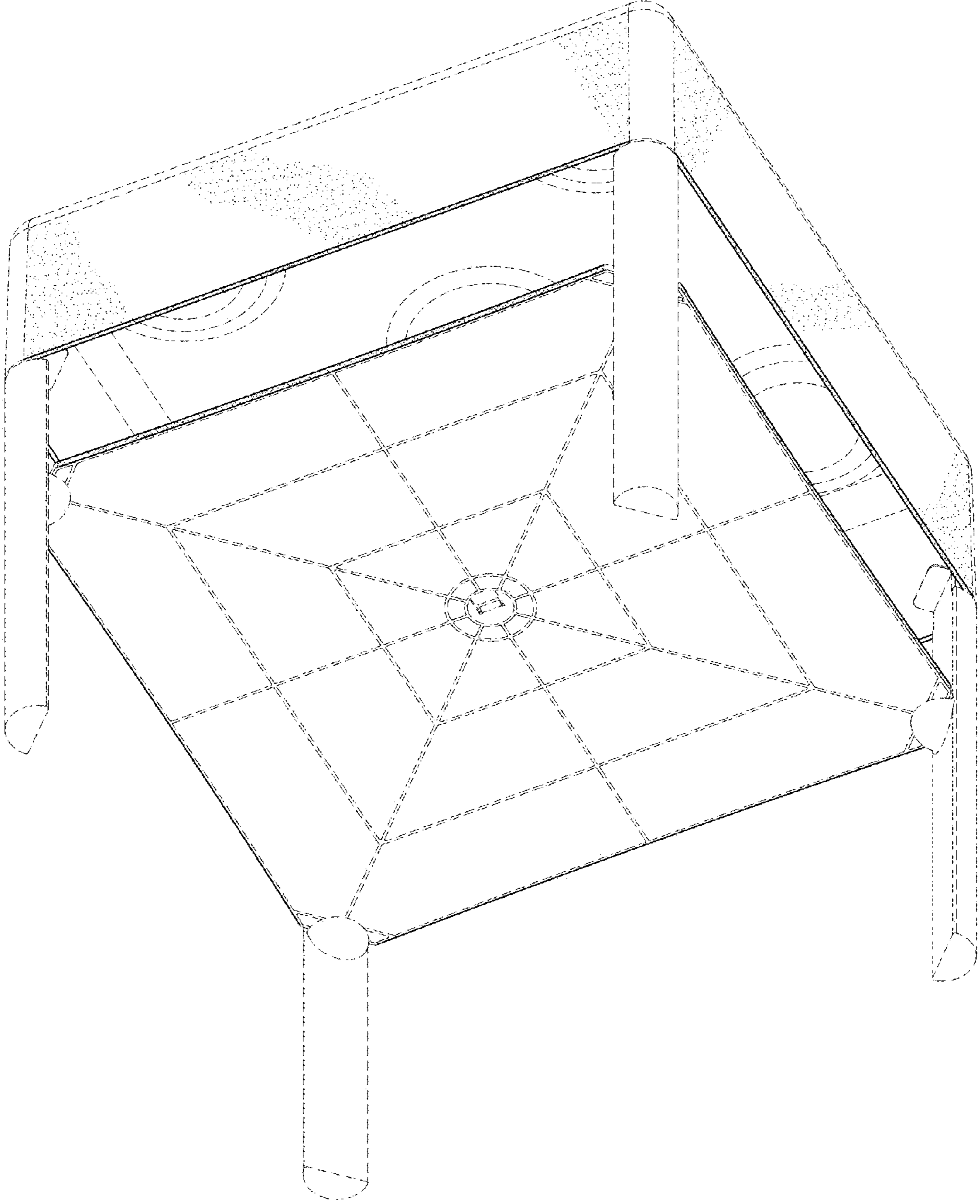




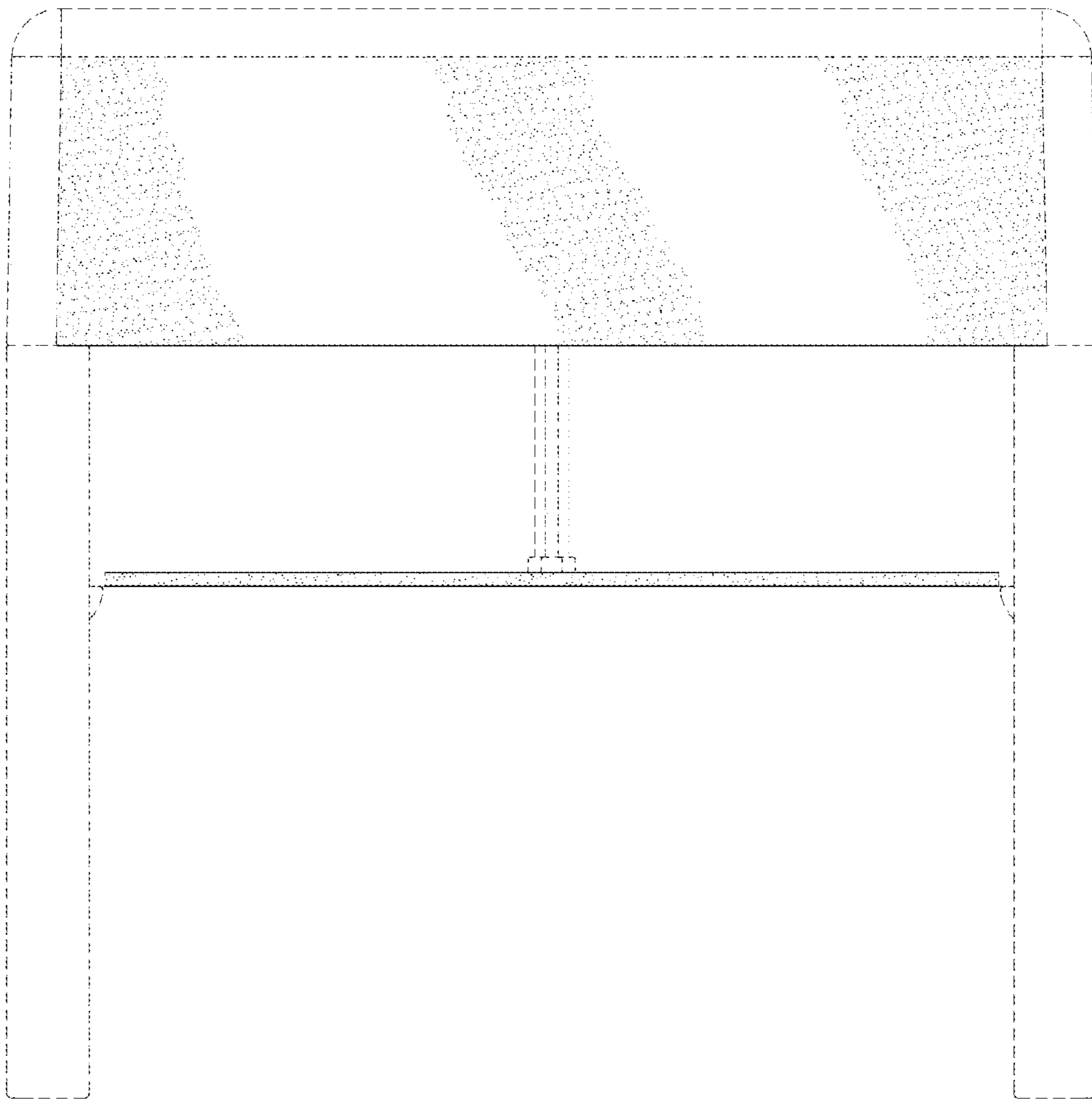
*Fig. 7.*



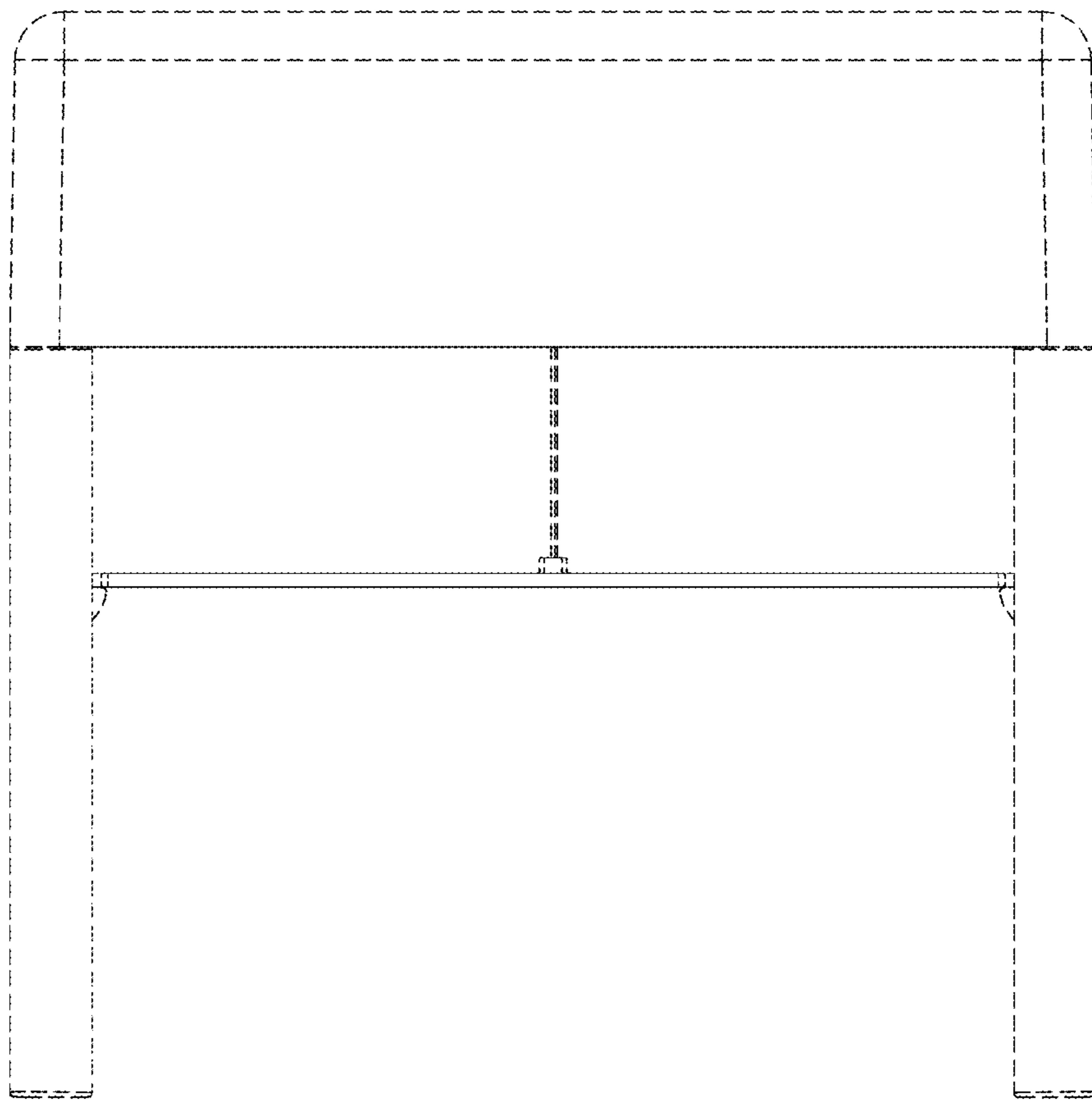
*Fig. 8.*



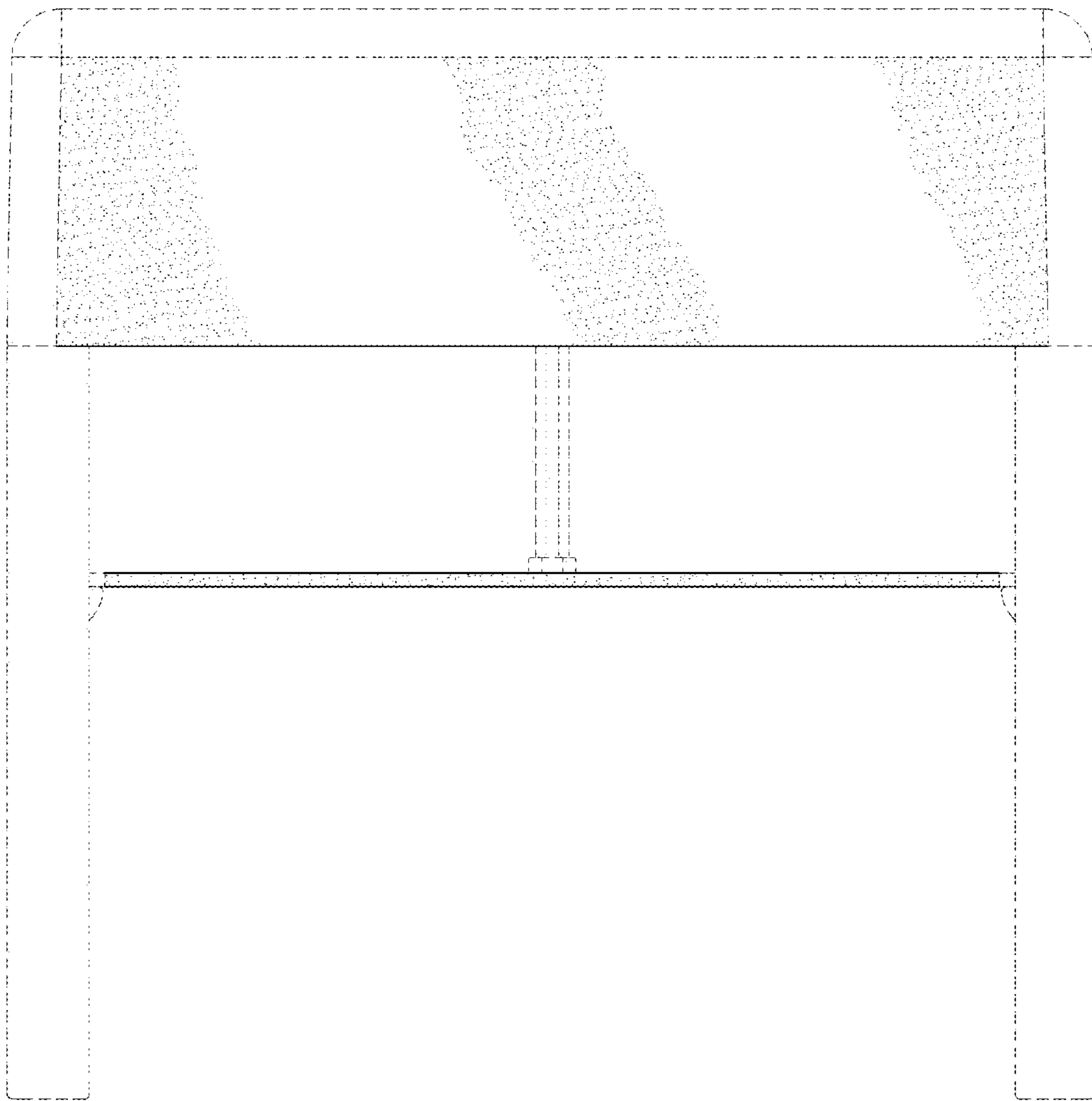
*Fig. 9.*



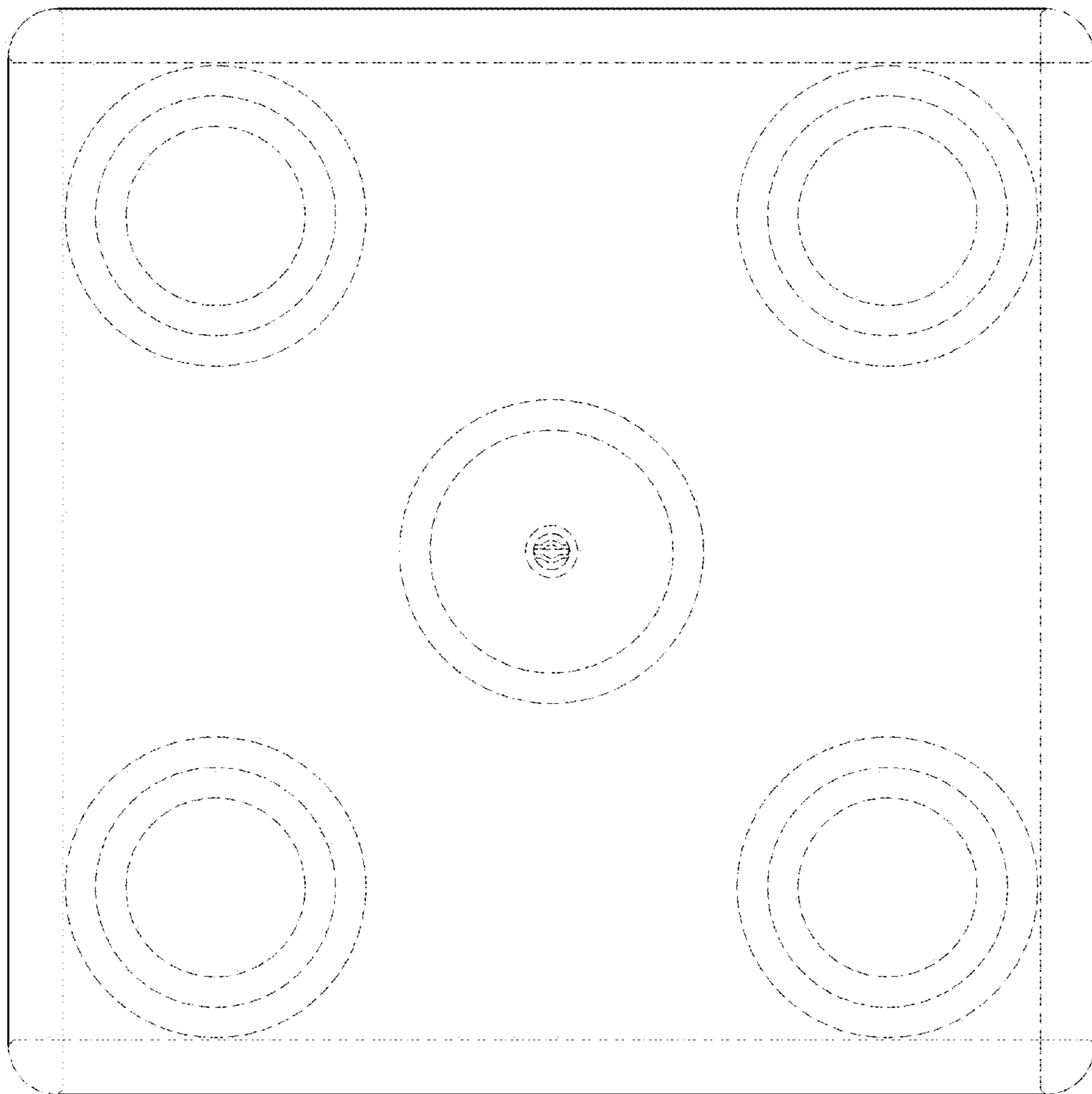
*Fig. 10.*



*Fig. 11.*



*Fig. 12.*



*Fig. 13.*