

US00D732785S

(12) **United States Design Patent**
Thorsen

(10) **Patent No.:** **US D732,785 S**
(45) **Date of Patent:** **** Jun. 23, 2015**

(54) **CARRIER ATTACHMENT FOR A VEHICLE**

(71) Applicant: **Burro Creative Solutions**, Alexandria, VA (US)

(72) Inventor: **Robert Ladd Thorsen**, Warrenton, VA (US)

(73) Assignee: **BURRO CREATIVE SOLUTIONS**, Alexandria, VA (US)

5,957,352	A	9/1999	Gares	
6,193,265	B1 *	2/2001	Yemini	280/653
D487,325	S *	3/2004	Vieira et al.	D34/16
6,964,421	B2	11/2005	Friel	
D600,423	S *	9/2009	Presnell	D34/17
2005/0212238	A1	9/2005	Conley	
2007/0039986	A1	2/2007	Tomasi	
2010/0116960	A1 *	5/2010	Lusk	248/314
2010/0127028	A1	5/2010	Lusk	
2011/0260420	A1 *	10/2011	Volin	280/47.31
2015/0001267	A1 *	1/2015	Thorsen	224/401

(**) Term: **14 Years**

(21) Appl. No.: **29/495,029**

(22) Filed: **Jun. 26, 2014**

(51) **LOC (10) Cl.** **12-02**

(52) **U.S. Cl.**
USPC **D34/27**

(58) **Field of Classification Search**
USPC D34/12-27; 224/401, 42.11, 538;
280/653, 47.31, 659, 655.1, 47.33,
280/47.26, 47.34, 33.992, 33.995, 33.997
CPC B62B 3/1468; B62B 3/148; B62B 3/1484;
B62B 3/1408; B62B 5/06; B62B 5/069;
B62B 2501/06; B62B 1/208; B62B 1/206;
B62B 1/18; B62B 1/20; B62B 1/186
See application file for complete search history.

(56) **References Cited**

U.S. PATENT DOCUMENTS

4,281,843	A *	8/1981	Johnson et al.	280/47.26
4,350,366	A *	9/1982	Helms	280/655
4,521,030	A	6/1985	Vance	
4,708,274	A	11/1987	Roche	
5,380,033	A *	1/1995	Harling	280/654
5,415,521	A	5/1995	Hufnagel et al.	
5,687,979	A	11/1997	Plevka	
D393,129	S *	3/1998	Yemini	D34/16
5,765,868	A	6/1998	Ventrone et al.	

FOREIGN PATENT DOCUMENTS

EP 0 832 723 A1 4/1998

* cited by examiner

Primary Examiner — Cynthia Ramirez

(74) *Attorney, Agent, or Firm* — Maier & Maier, PLLC

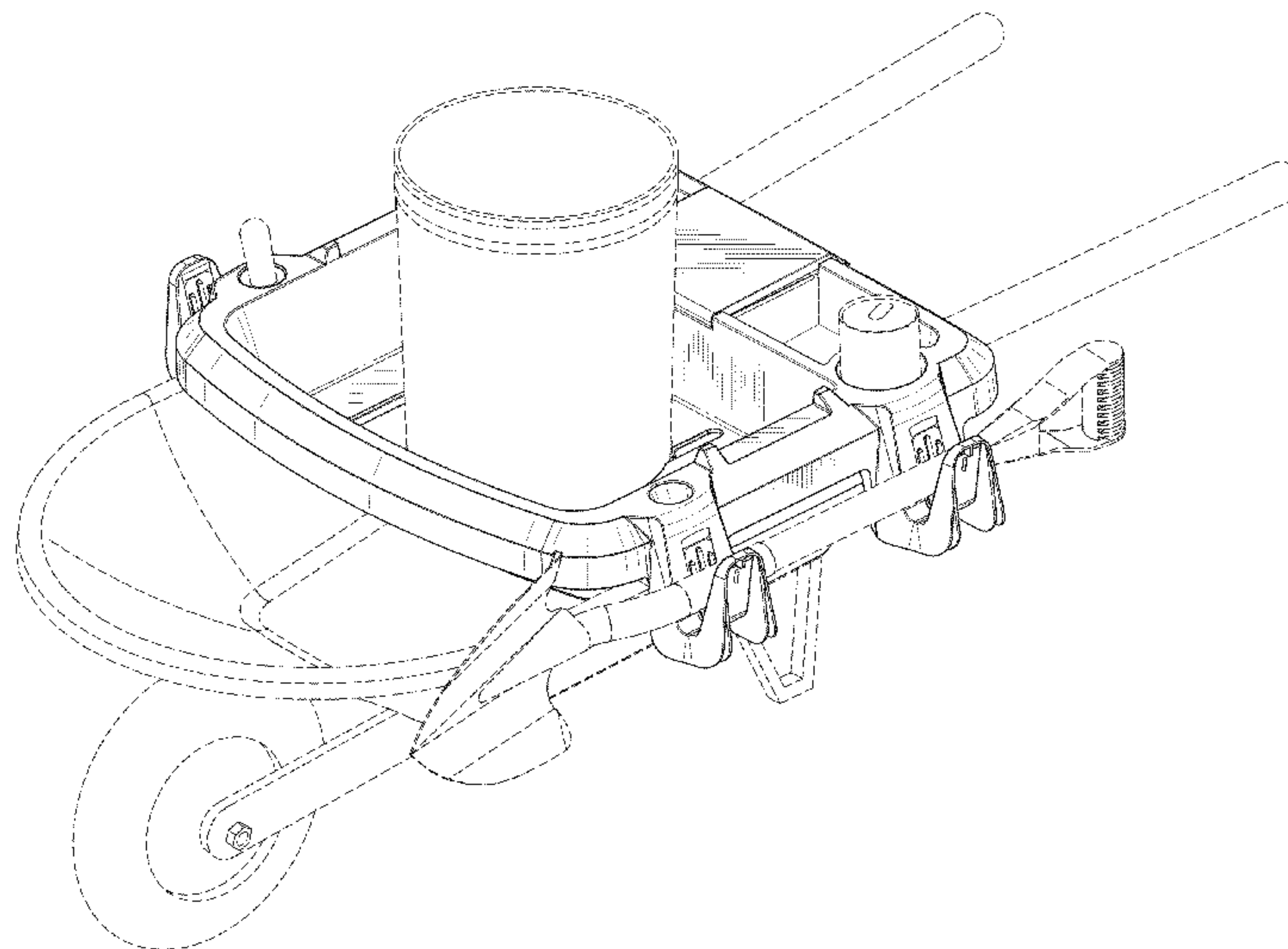
(57) **CLAIM**

The ornamental design for a carrier attachment for a vehicle, as shown and described.

DESCRIPTION

FIG. 1 is a top front perspective view of an exemplary carrier attachment for a vehicle;
FIG. 2 is top rear perspective view thereof;
FIG. 3 is a bottom rear perspective view thereof;
FIG. 4 a top plan view thereof;
FIG. 5 is a bottom plan view thereof;
FIG. 6 is a right side elevation view thereof;
FIG. 7 is a left side elevation view thereof;
FIG. 8 is a rear elevation view thereof; and,
FIG. 9 is a front elevation view thereof.
The broken lines showing a vehicle, a beverage container, a shovel, a bucket, and two short-handled tools in FIG. 1 are included for the purpose of illustrating environment and form no part of the claimed design.

1 Claim, 7 Drawing Sheets



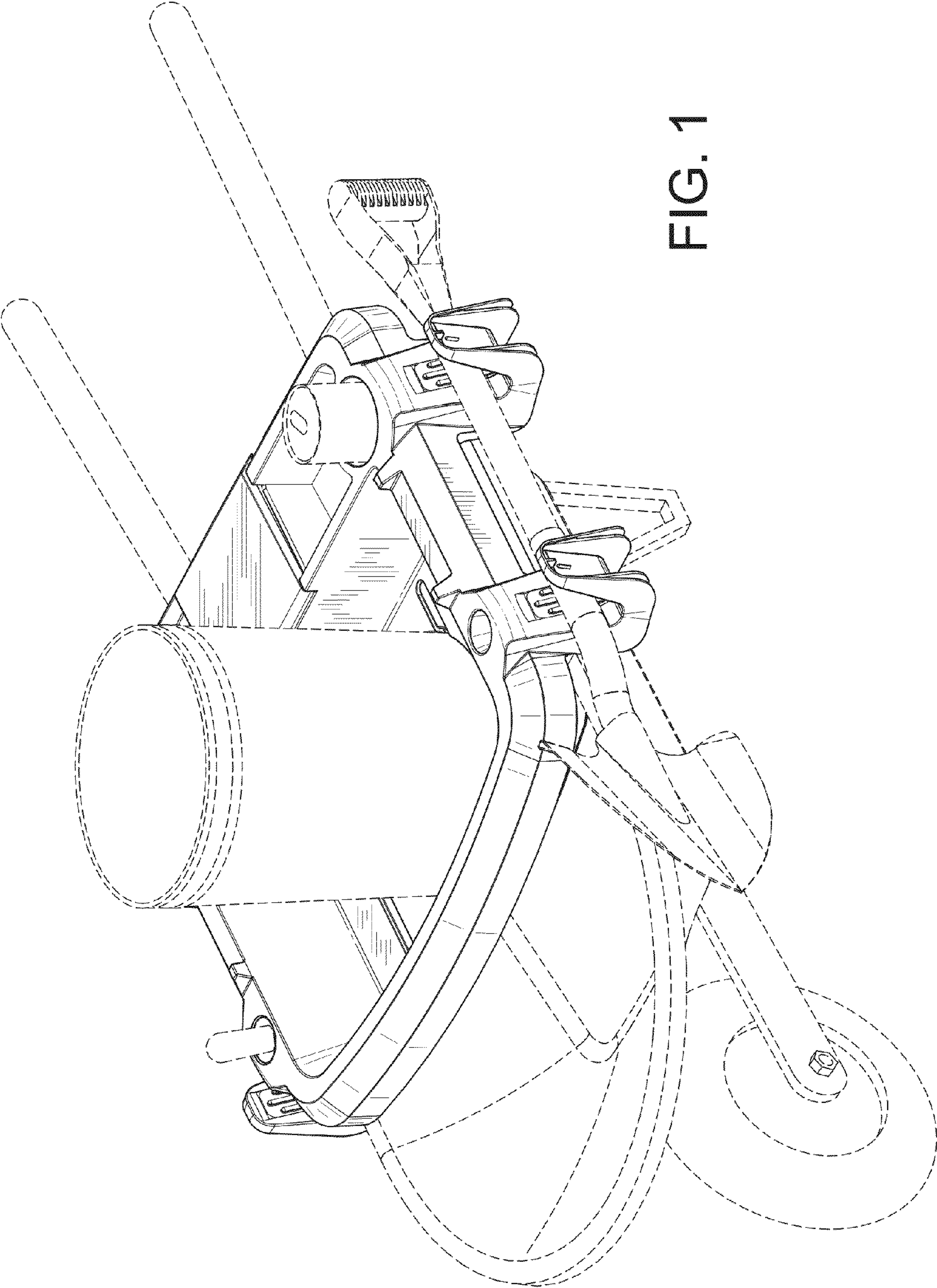


FIG. 1

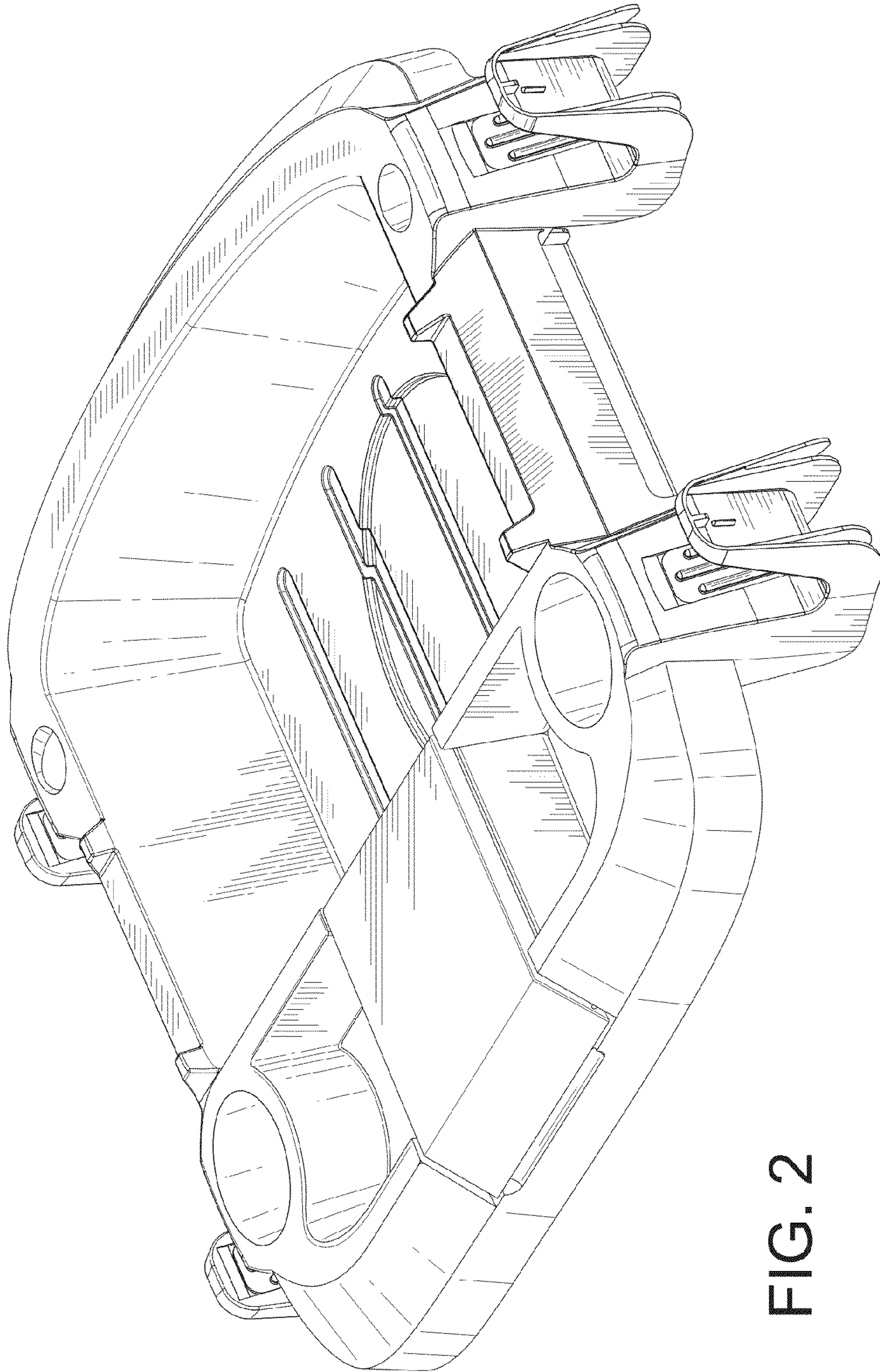


FIG. 2

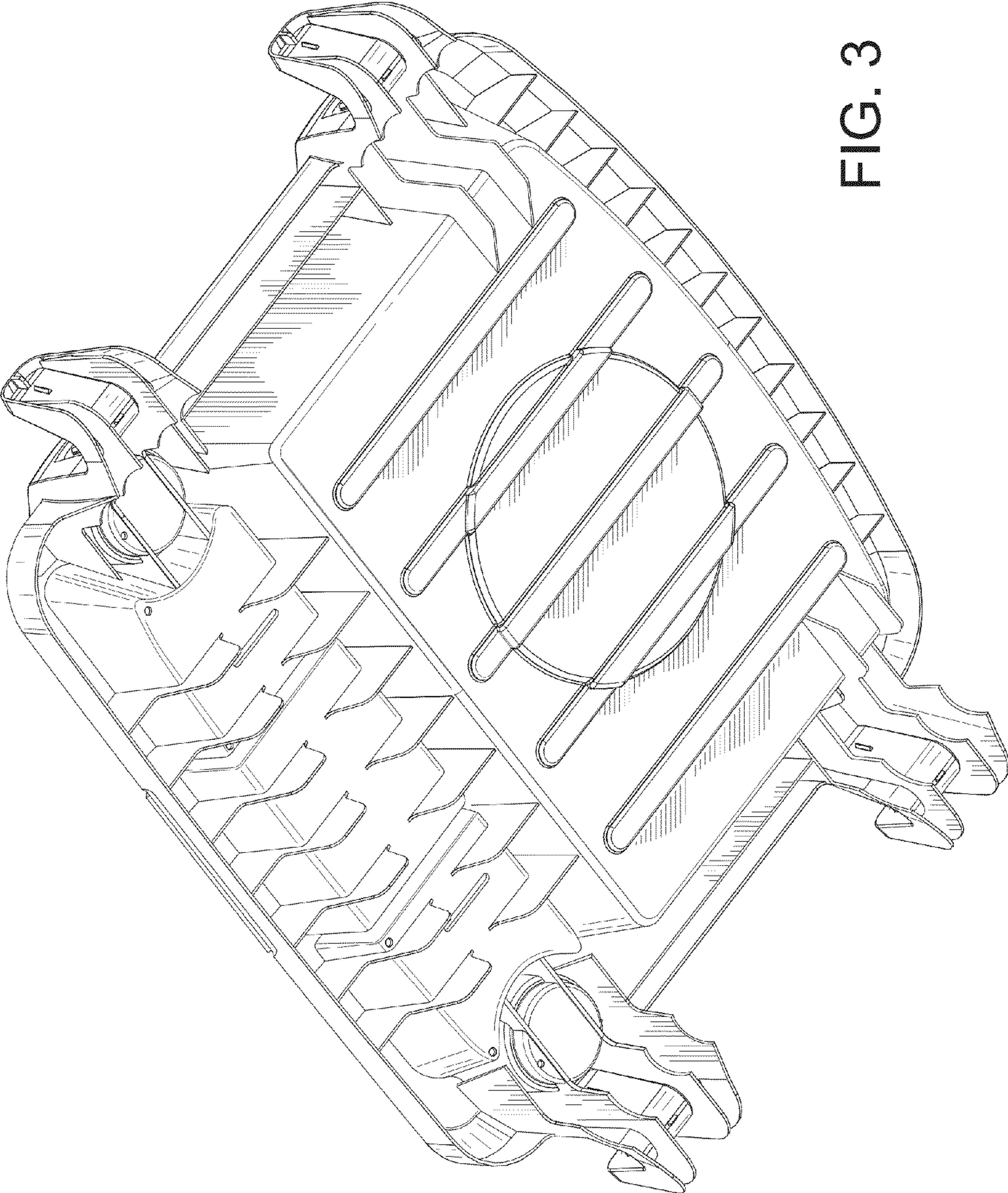


FIG. 3

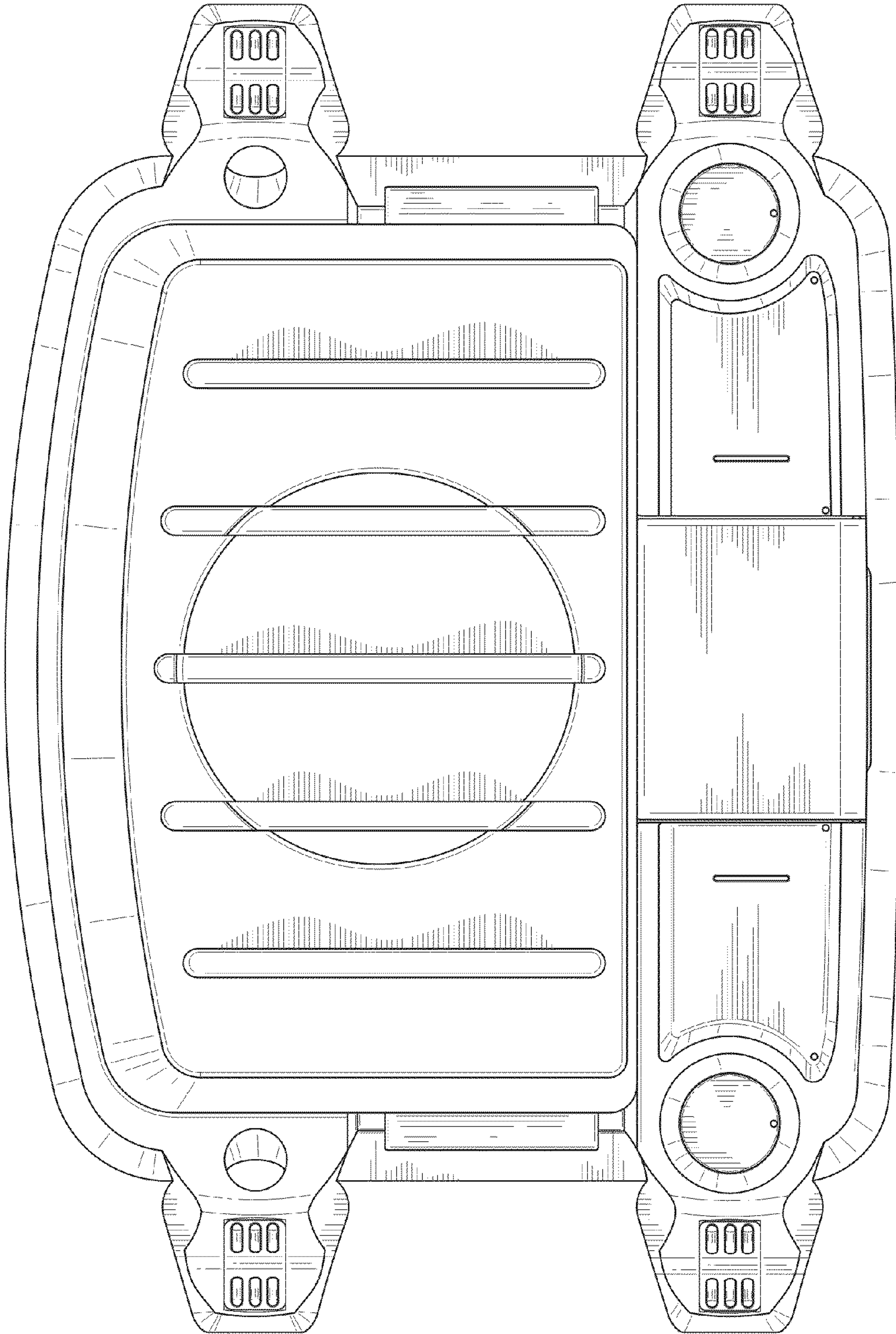


FIG. 4

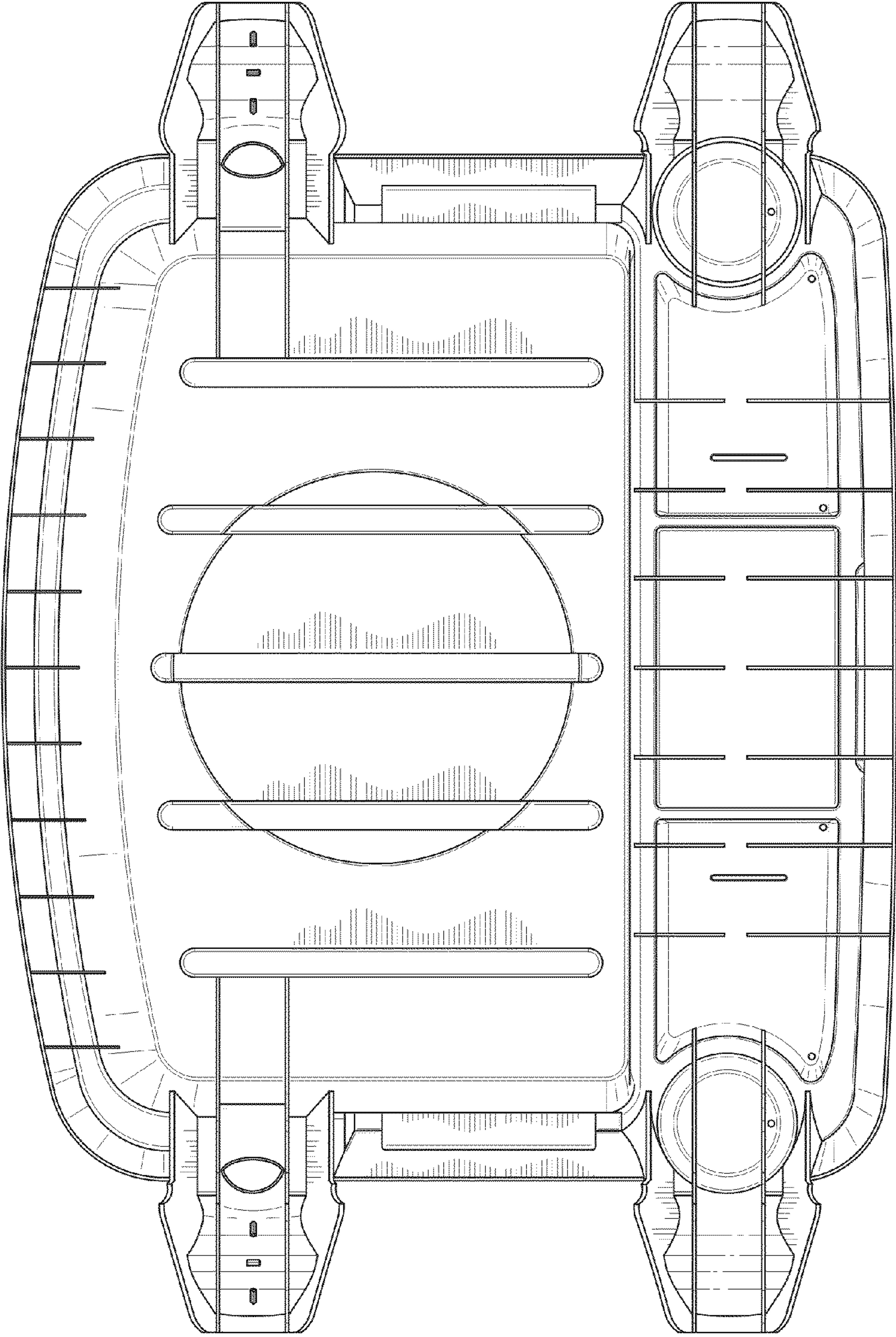


FIG. 5

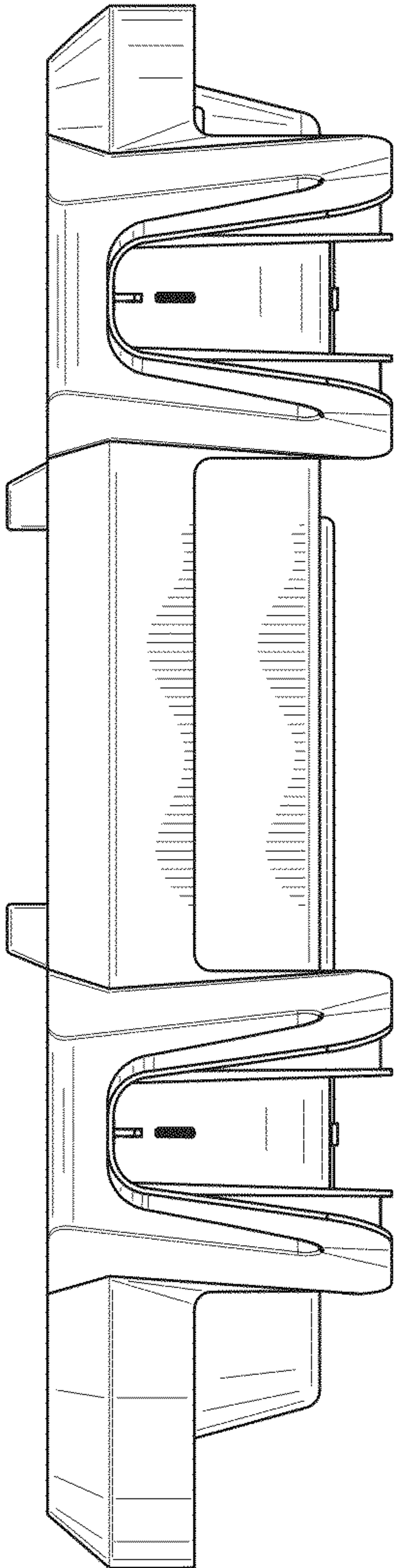


FIG. 6

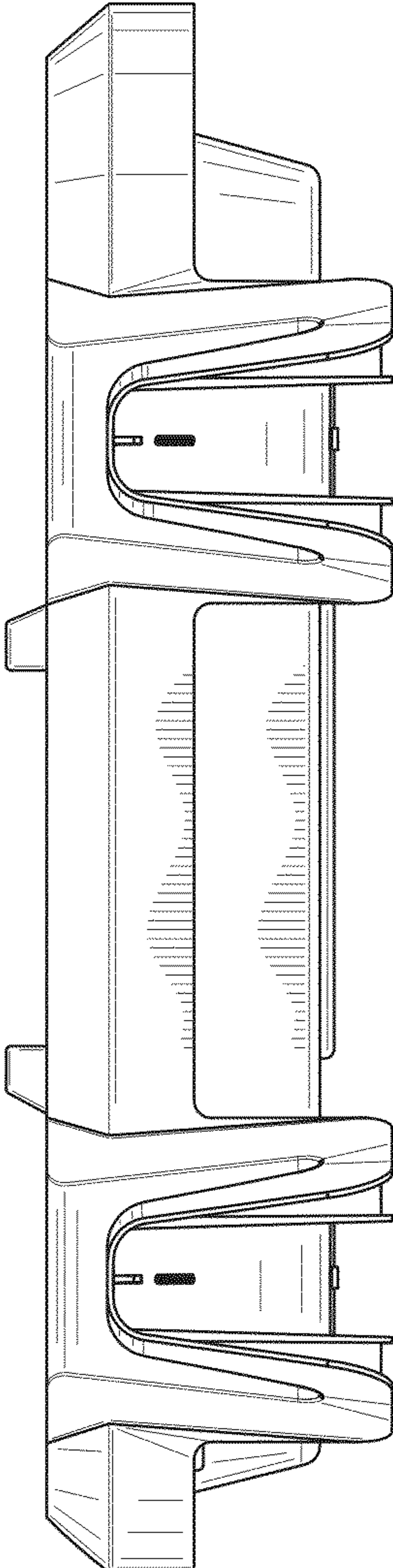


FIG. 7

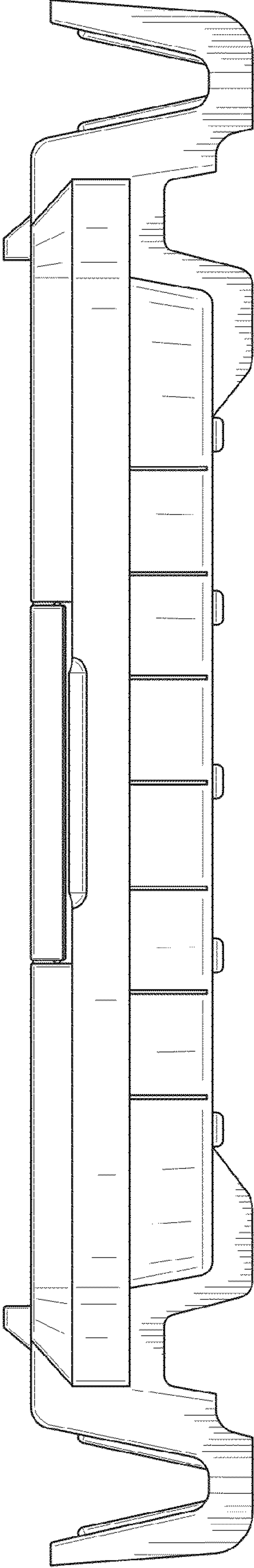


FIG. 8

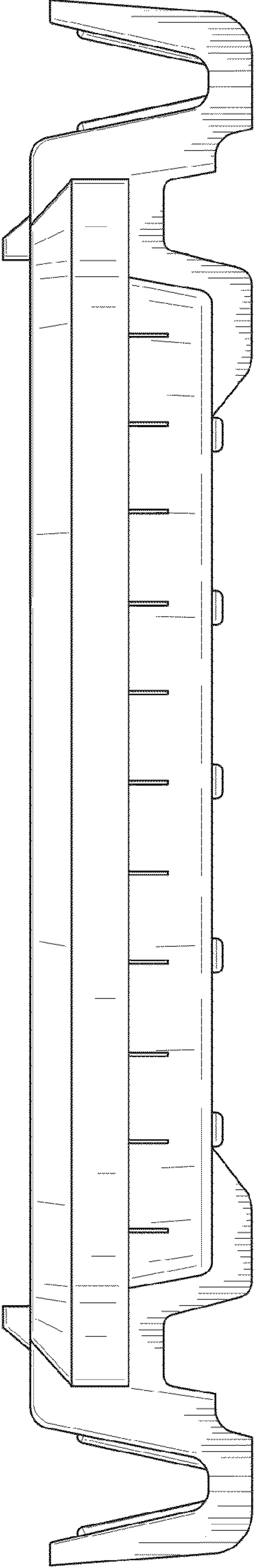


FIG. 9