



US00D732784S

(12) **United States Design Patent**
Halsted

(10) **Patent No.:** **US D732,784 S**
(45) **Date of Patent:** **** Jun. 23, 2015**

- (54) **PAN FOR WHEELBARROWS**
- (71) Applicant: **VECTO TRADE 461 (PROPRIETARY) LIMITED,**
Germiston, Gauteng Province (ZA)
- (72) Inventor: **Charles William Halsted,** Sandton (ZA)
- (73) Assignee: **VECTO TRADE 461 (PROPRIETARY) LIMITED,**
Germiston, Gauteng Province (ZA)
- (**) Term: **14 Years**
- (21) Appl. No.: **29/451,849**
- (22) Filed: **Apr. 9, 2013**
- (30) **Foreign Application Priority Data**

- Oct. 10, 2012 (ZA) A2012/01779
- (51) **LOC (10) Cl.** **12-02**
- (52) **U.S. Cl.**
USPC **D34/27**
- (58) **Field of Classification Search**
USPC D34/27, 16; 280/653, 47.31, 47.26,
280/47.34, 47.11, 47.23, 47.28; 16/426
CPC B62B 1/00; B62B 1/18; B62B 1/20;
B62B 1/22; B62B 1/24
See application file for complete search history.

(56) **References Cited**

U.S. PATENT DOCUMENTS

1,196,776	A *	9/1916	Hambay	280/47.31
1,630,975	A *	5/1927	Smith	280/47.31
3,170,707	A *	2/1965	Millar, Jr. et al.	280/47.31
4,758,010	A *	7/1988	Christie	280/47.31
4,854,601	A *	8/1989	Herndon	280/47.31
5,033,760	A *	7/1991	Evans	280/47.26
5,242,177	A *	9/1993	Morris	280/47.31
5,415,421	A *	5/1995	Godwin	280/47.31

5,758,887	A *	6/1998	Bobst	280/47.31
6,550,104	B2 *	4/2003	Cacciacarne	16/426
6,869,098	B2 *	3/2005	Tomchak et al.	280/653
D535,451	S *	1/2007	Lim	D34/16
7,232,135	B2 *	6/2007	Robinson	280/47.31
7,296,807	B2 *	11/2007	Zimmerman	280/47.32
7,547,026	B2 *	6/2009	Morris	280/47.31
7,641,204	B2 *	1/2010	Rye et al.	280/47.31
7,775,531	B2 *	8/2010	Zimmerman	280/47.31
7,866,686	B2 *	1/2011	Conaway et al.	280/653
7,900,939	B2 *	3/2011	Robinson	280/47.31
D661,452	S *	6/2012	Albert et al.	D34/27
D671,704	S *	11/2012	Cooper	D34/27
D672,932	S *	12/2012	Fredendall et al.	D34/27
D672,933	S *	12/2012	Fredendall et al.	D34/27
D675,804	S *	2/2013	Albert et al.	D34/27

(Continued)

Primary Examiner — Thomas Johannes

Assistant Examiner — Gino Colan

(74) *Attorney, Agent, or Firm* — Foley & Lardner LLP

(57) **CLAIM**

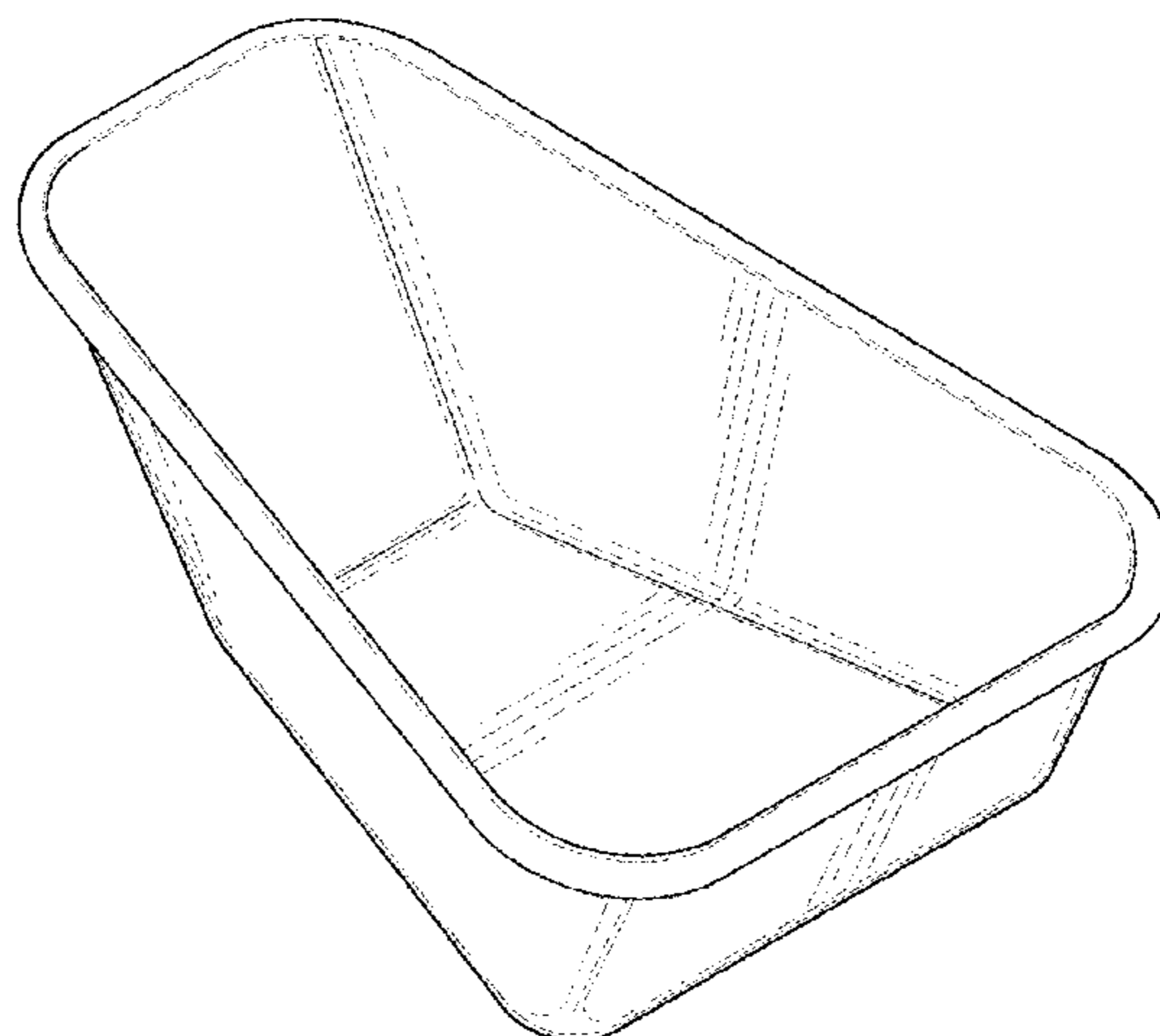
The ornamental design for a pan for wheelbarrows, as shown and described.

DESCRIPTION

FIG. 1 is a perspective view of a pan for wheelbarrows showing my new design;
 FIG. 2 is a front view of the pan for wheelbarrows of FIG. 1;
 FIG. 3 is a rear view of the pan for wheelbarrows of FIG. 1;
 FIG. 4 is a right side view of the pan for wheelbarrows of FIG. 1;
 FIG. 5 is a left side view of the pan for wheelbarrows of FIG. 1;
 FIG. 6 is a top view of the pan for wheelbarrows of FIG. 1;
 and,
 FIG. 7 is a bottom view of the pan for wheelbarrows of FIG. 1.

The broken lines in the drawings are for illustrative purposes only and form no part of the claimed design.

1 Claim, 5 Drawing Sheets



(56)

References Cited

U.S. PATENT DOCUMENTS

D681,900	S *	5/2013	Fredendall et al.	D34/27	2007/0257456	A1 *	11/2007	Feick	280/47.31
D681,901	S *	5/2013	Fredendall et al.	D34/27	2008/0067767	A1 *	3/2008	Zimmerman	280/47.31
8,523,198	B2 *	9/2013	Albert et al.	280/47.31	2008/0164668	A1 *	7/2008	Feick	280/47.31
8,752,847	B2 *	6/2014	Albert et al.	280/47.31	2008/0265537	A1 *	10/2008	Lin	280/47.31
D710,561	S *	8/2014	Rolfe et al.	D34/27	2009/0212517	A1 *	8/2009	Stark et al.	280/47.31
2004/0135333	A1 *	7/2004	Feick	280/47.31	2010/0109269	A1 *	5/2010	Albert et al.	280/47.31
2004/0164509	A1 *	8/2004	Campbell et al.	280/47.31	2010/0201091	A1 *	8/2010	Easterling	280/47.31
2005/0062245	A1 *	3/2005	Tomchak et al.	280/47.31	2012/0126502	A1 *	5/2012	Robinson	280/47.31
2005/0087958	A1 *	4/2005	Tomchak et al.	280/653	2012/0256383	A1 *	10/2012	Hatcher et al.	280/47.31
2007/0007738	A1 *	1/2007	Albert	280/47.31	2013/0207361	A1 *	8/2013	Albert et al.	280/47.26
					2013/0313796	A1 *	11/2013	Albert et al.	280/47.31
					2014/0246838	A1 *	9/2014	Albert et al.	280/47.31

* cited by examiner

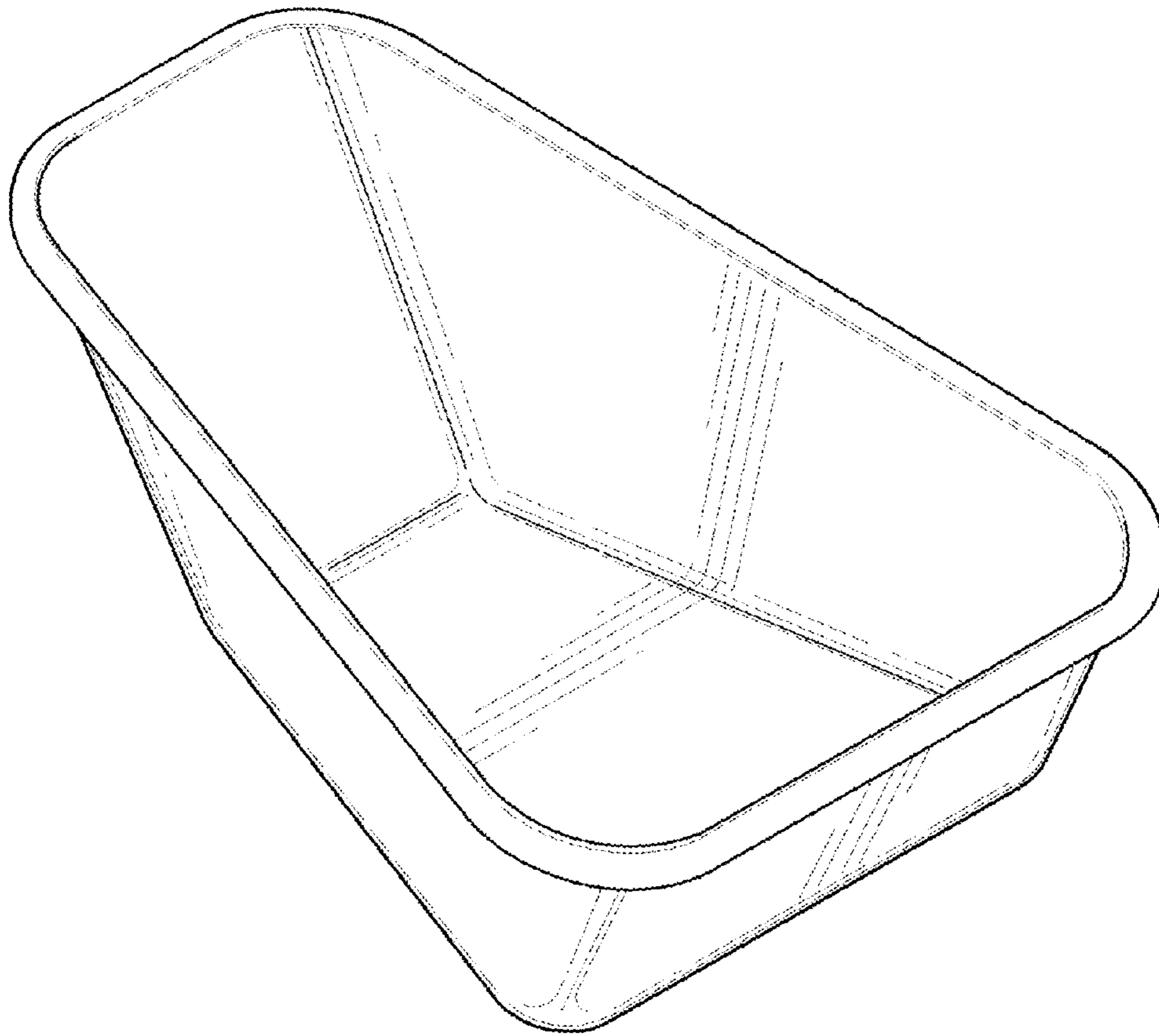


FIG 1

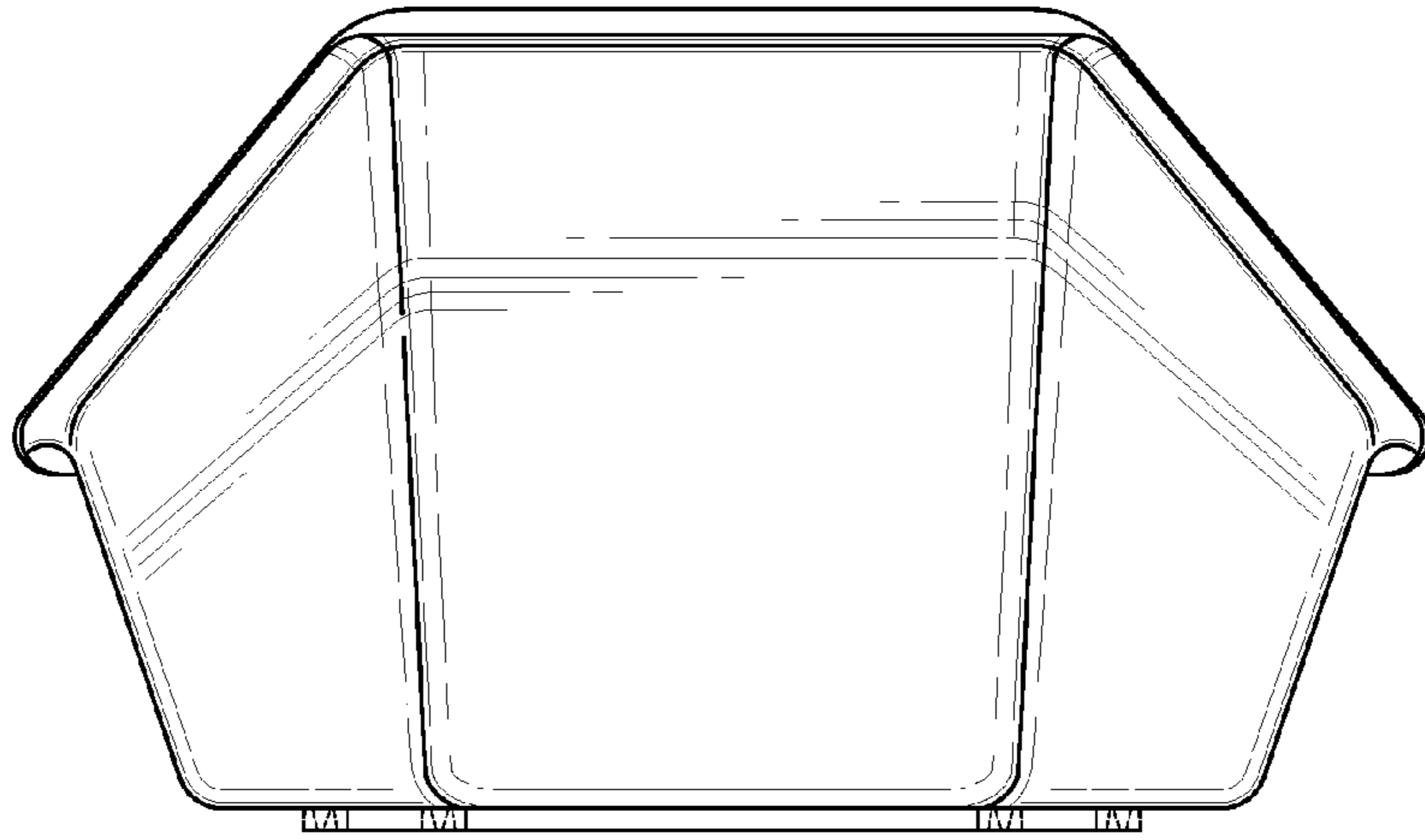


FIG 2

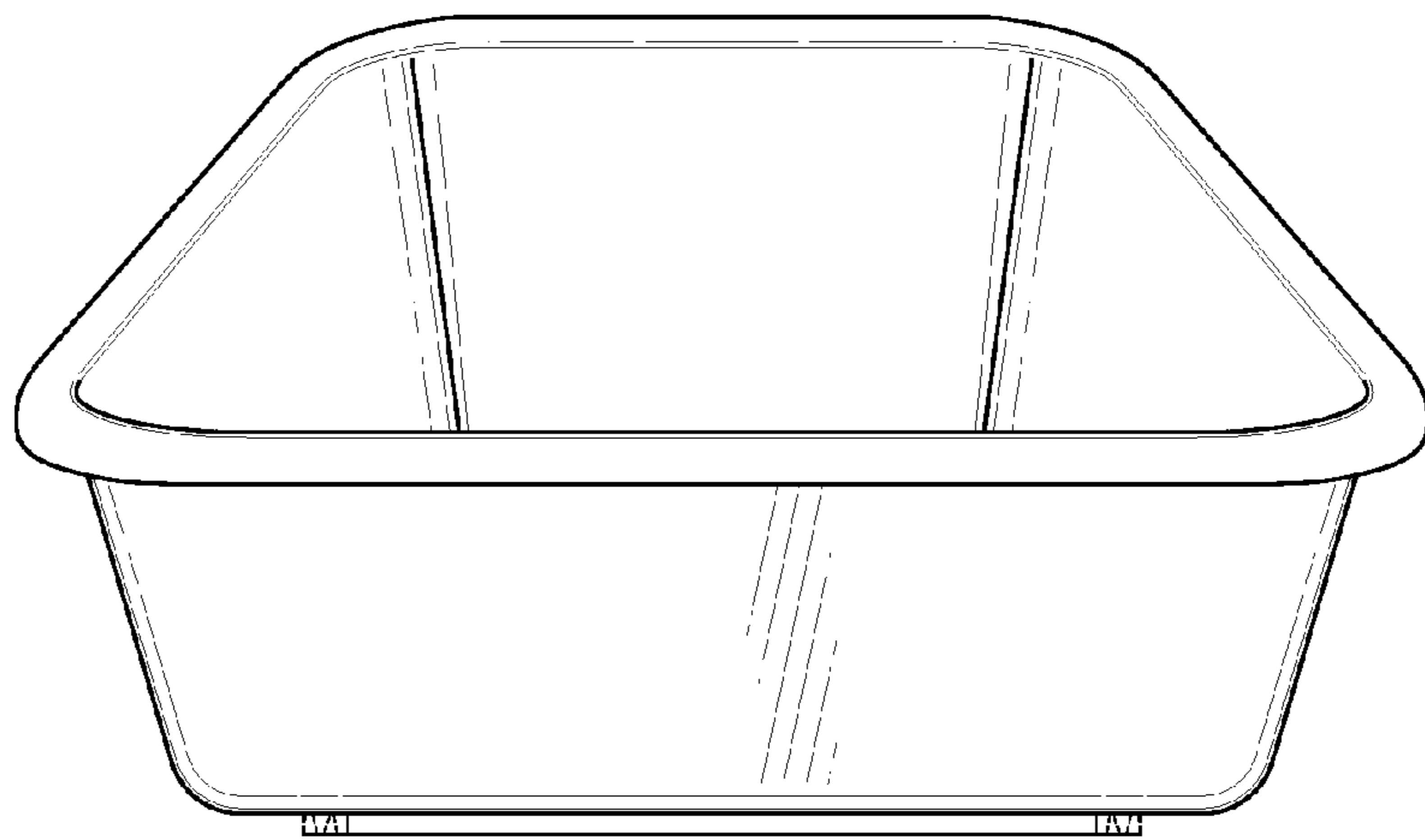


FIG 3

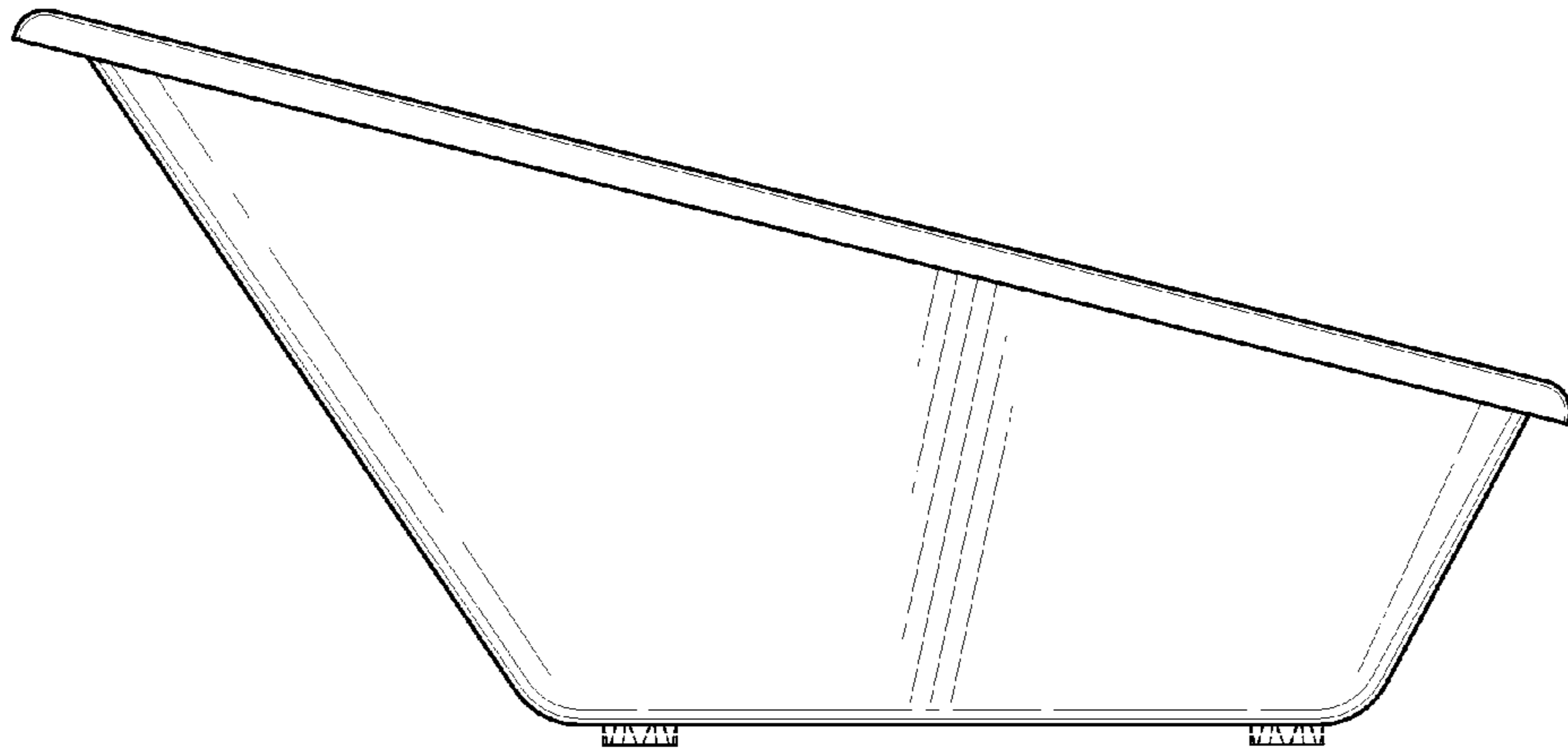


FIG 4

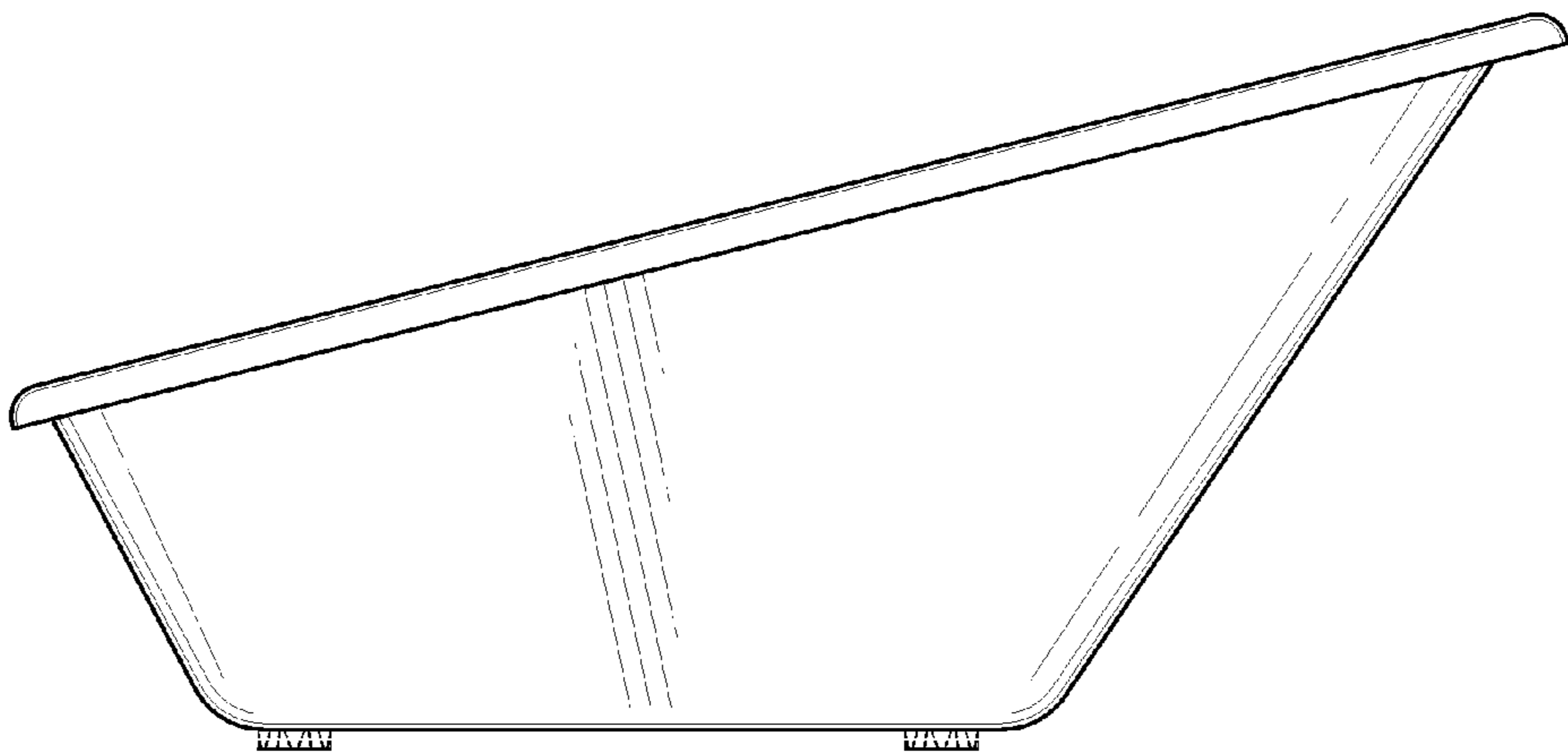


FIG 5

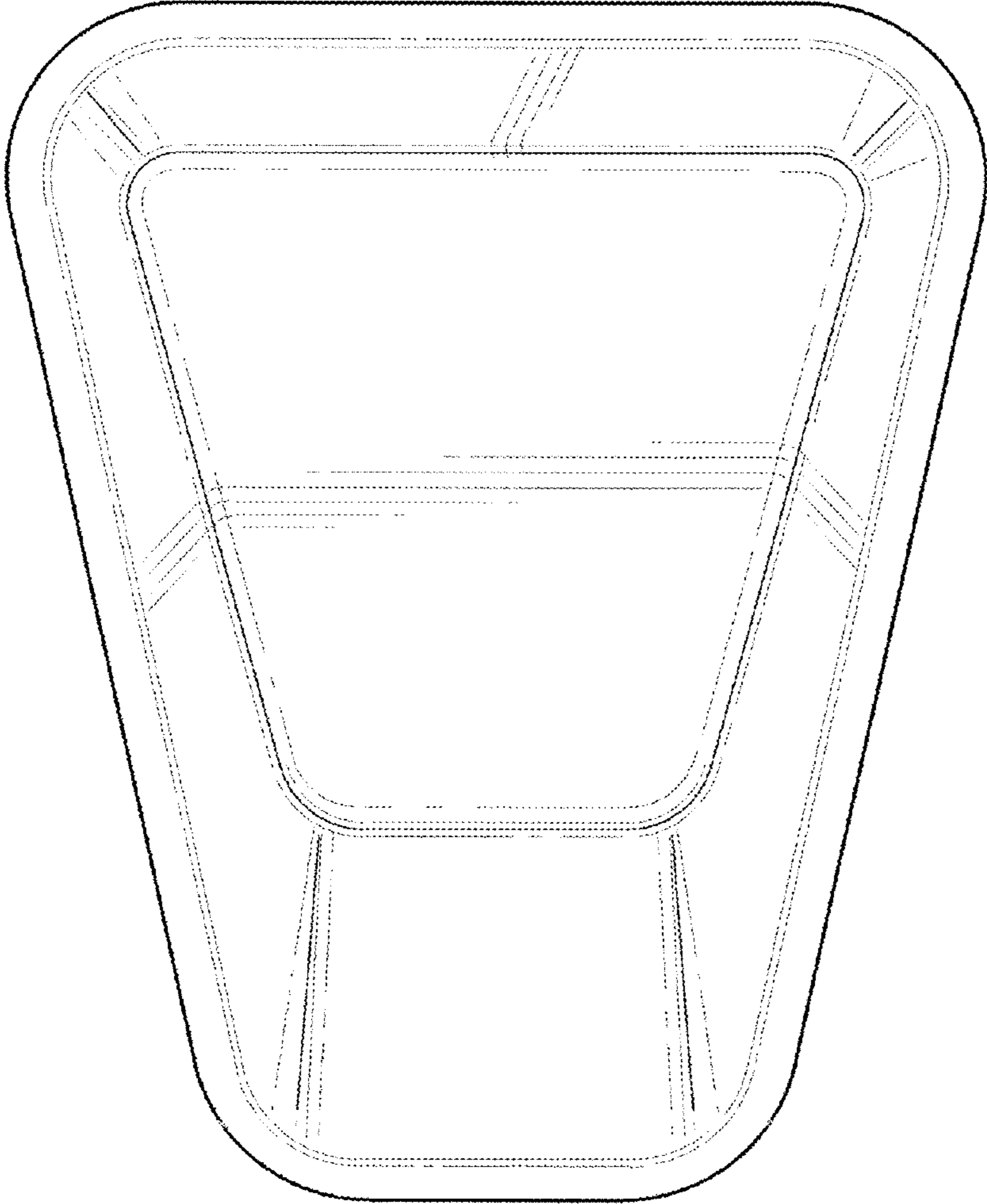


FIG 6

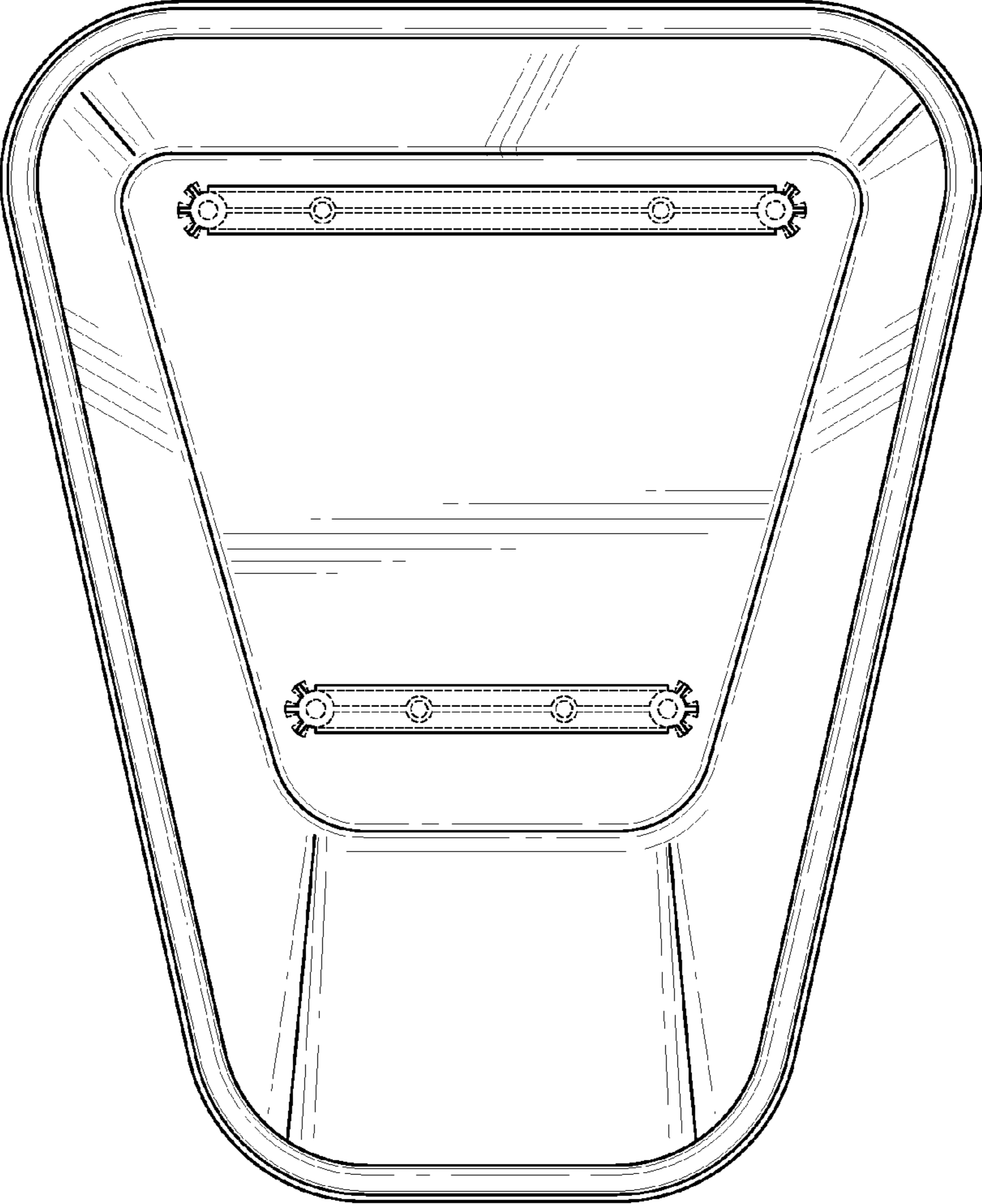


FIG 7