



US00D732783S

(12) **United States Design Patent**
MacArthur

(10) **Patent No.:** **US D732,783 S**
(45) **Date of Patent:** **** Jun. 23, 2015**

(54) **COMPOST BIN**

(71) Applicant: **James MacArthur**, Kitchener (CA)

(72) Inventor: **James MacArthur**, Kitchener (CA)

(**) Term: **14 Years**

(21) Appl. No.: **29/490,863**

(22) Filed: **May 14, 2014**

(30) **Foreign Application Priority Data**

Feb. 12, 2014 (CA) 155114

(51) **LOC (10) Cl.** **09-09**

(52) **U.S. Cl.**
USPC **D34/1**

(58) **Field of Classification Search**
USPC D34/1-11; D9/424; D3/273, 304, 307,
D3/308, 313-316; 220/527, 518, 751, 1.5,
220/519, 350, 508, 668, 660, 676, 909,
220/23.86; 206/511, 508, 509, 519, 596,
206/606
CPC .. B65D 21/0209; B65D 43/02; B65D 88/121;
B65D 88/14; B65D 88/12; B65D 88/128;
B65D 90/008; B65F 2001/1489; B65F
2210/181; B65F 2210/116; B65F 2210/172;
B65F 1/06; B65F 1/14; B65F 1/1415; B65F
1/16; B65F 1/02; B65F 1/04; B65F 1/12;
B65F 1/1468; B65F 1/1615; B65F 1/1646
See application file for complete search history.

(56) **References Cited**

U.S. PATENT DOCUMENTS

3,005,572 A * 10/1961 Gustafson et al. 220/671
3,303,965 A * 2/1967 Parker et al. 206/511
3,419,184 A * 12/1968 Asenbauer 206/508
3,447,715 A * 6/1969 Beney 206/507
3,623,631 A * 11/1971 Ford 220/628
3,680,735 A * 8/1972 Lucas 206/511

3,759,416 A * 9/1973 Constantine 206/505
4,042,111 A * 8/1977 Smith 206/508
4,316,540 A * 2/1982 Lapham 206/507
4,416,374 A * 11/1983 Smith et al. 206/507
D286,937 S * 11/1986 Schafer D3/272
4,848,580 A * 7/1989 Wise 206/519
4,932,557 A * 6/1990 Yeo 220/23.83
5,046,636 A * 9/1991 Coskery 220/571
5,105,947 A * 4/1992 Wise 206/519
D326,345 S * 5/1992 Mandell et al. D3/312
5,111,938 A * 5/1992 Soprano et al. 206/386
D339,436 S * 9/1993 Craft et al. D32/53
D375,836 S * 11/1996 Conti D3/304
D382,112 S * 8/1997 Egan D3/273
5,718,350 A * 2/1998 Williams 220/326
D398,151 S * 9/1998 Ahern, Jr. D3/304
6,253,948 B1 * 7/2001 Ficker 220/350
D446,017 S * 8/2001 Koefeld D3/307
D450,926 S * 11/2001 Dickinson et al. D3/304
6,318,586 B1 * 11/2001 Frankenberg 220/826
D460,619 S * 7/2002 Koefeld D3/304
6,454,112 B1 * 9/2002 Walters et al. 220/1.5
6,874,650 B2 * 4/2005 Welsh et al. 220/519
D539,998 S * 4/2007 Andrade D34/3

(Continued)

Primary Examiner — Cynthia Ramirez

(74) *Attorney, Agent, or Firm* — Perry + Currier, Inc.

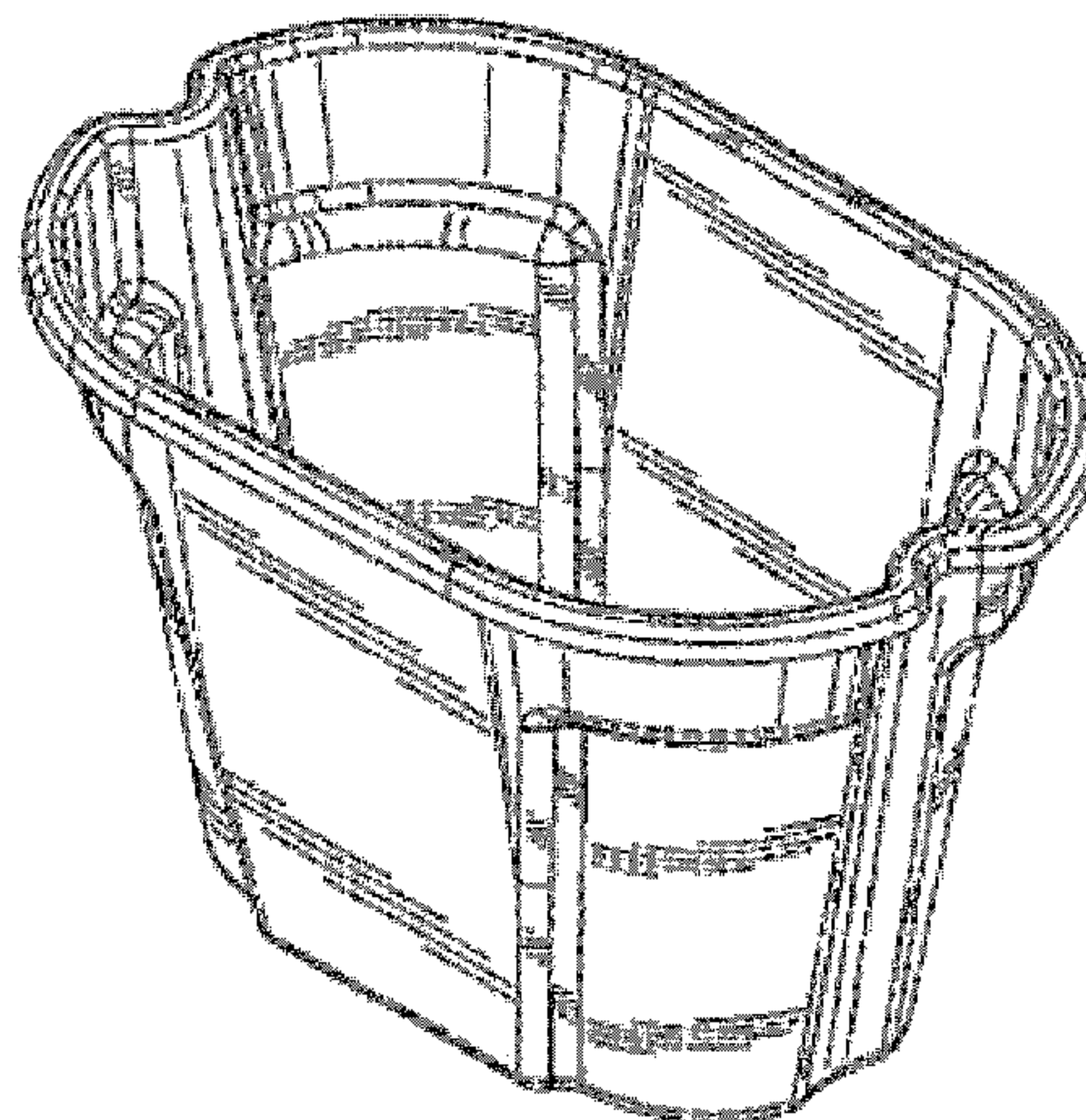
(57) **CLAIM**

The ornamental design for a compost bin, as shown and described.

DESCRIPTION

FIG. 1 is a front-top-right perspective view of a compost bin showing my new design;
FIG. 2 is a bottom-top-right perspective view thereof;
FIG. 3 is a right side elevation view thereof;
FIG. 4 is a front elevation view thereof;
FIG. 5 is a left side elevation view thereof;
FIG. 6 is a rear elevation view thereof;
FIG. 7 is a top plan view thereof; and,
FIG. 8 is a bottom plan view thereof.

1 Claim, 4 Drawing Sheets



(56)

References Cited

U.S. PATENT DOCUMENTS

D554,320 S * 10/2007 Williams D34/1
D610,448 S * 2/2010 Drozek et al. D9/424
7,784,615 B2 * 8/2010 Stahl 206/511
D654,690 S * 2/2012 Sofy et al. D3/309
8,141,742 B2 * 3/2012 Wolf 220/751
D666,829 S * 9/2012 Liao D3/304

D666,904 S * 9/2012 Snedden et al. D9/424
8,596,459 B2 * 12/2013 Huizingh et al. 206/600
2008/0190805 A1 * 8/2008 Lightner et al. 206/519
2009/0001088 A1 * 1/2009 Lamendola et al. 220/606
2009/0179039 A1 * 7/2009 Cimmerer et al. 220/781
2011/0062161 A1 * 3/2011 Hassell et al. 220/495.11
2012/0181214 A1 * 7/2012 Kernen et al. 206/596
2012/0223078 A1 * 9/2012 Chitayat et al. 220/476

* cited by examiner

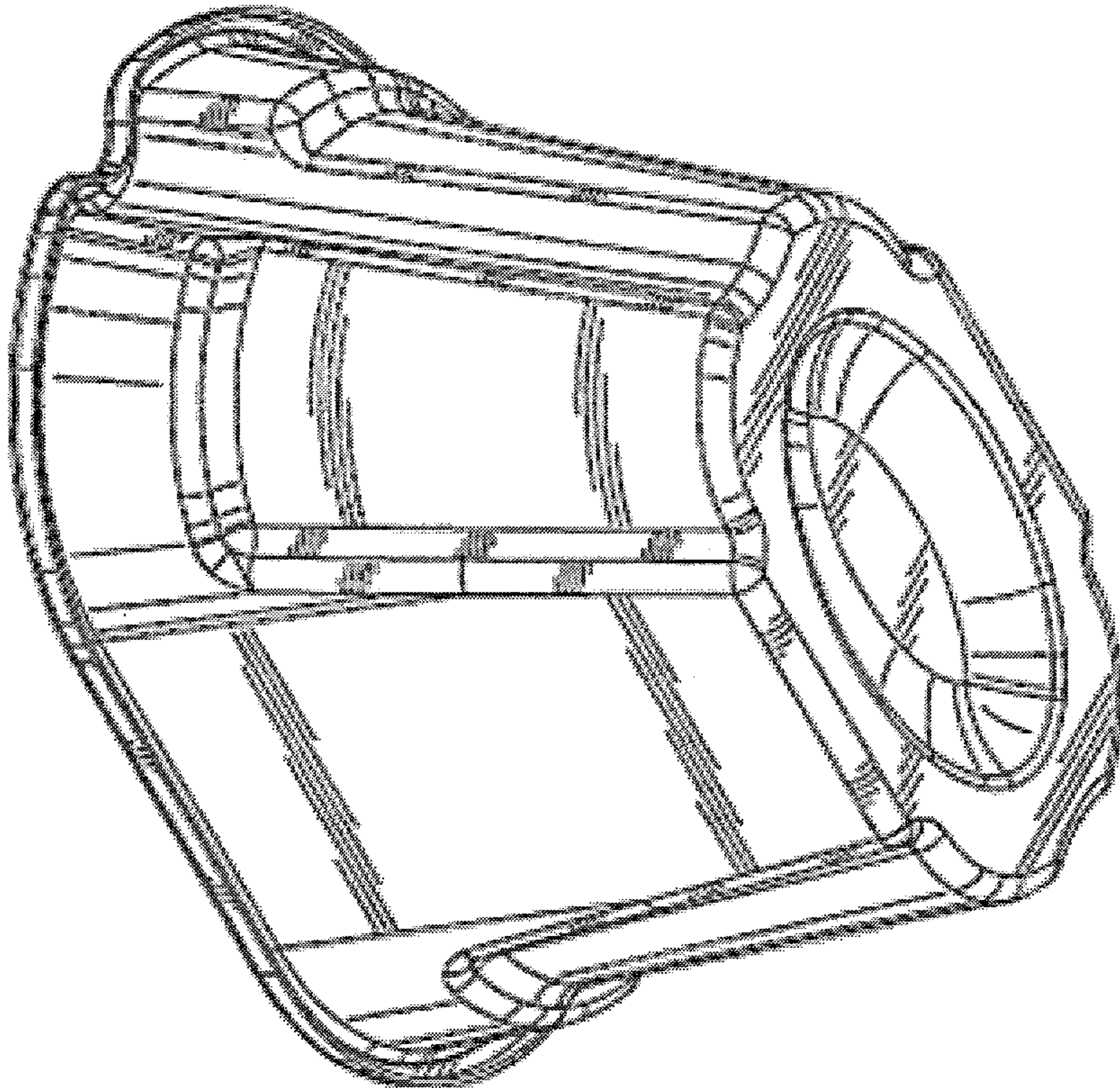


FIG. 2

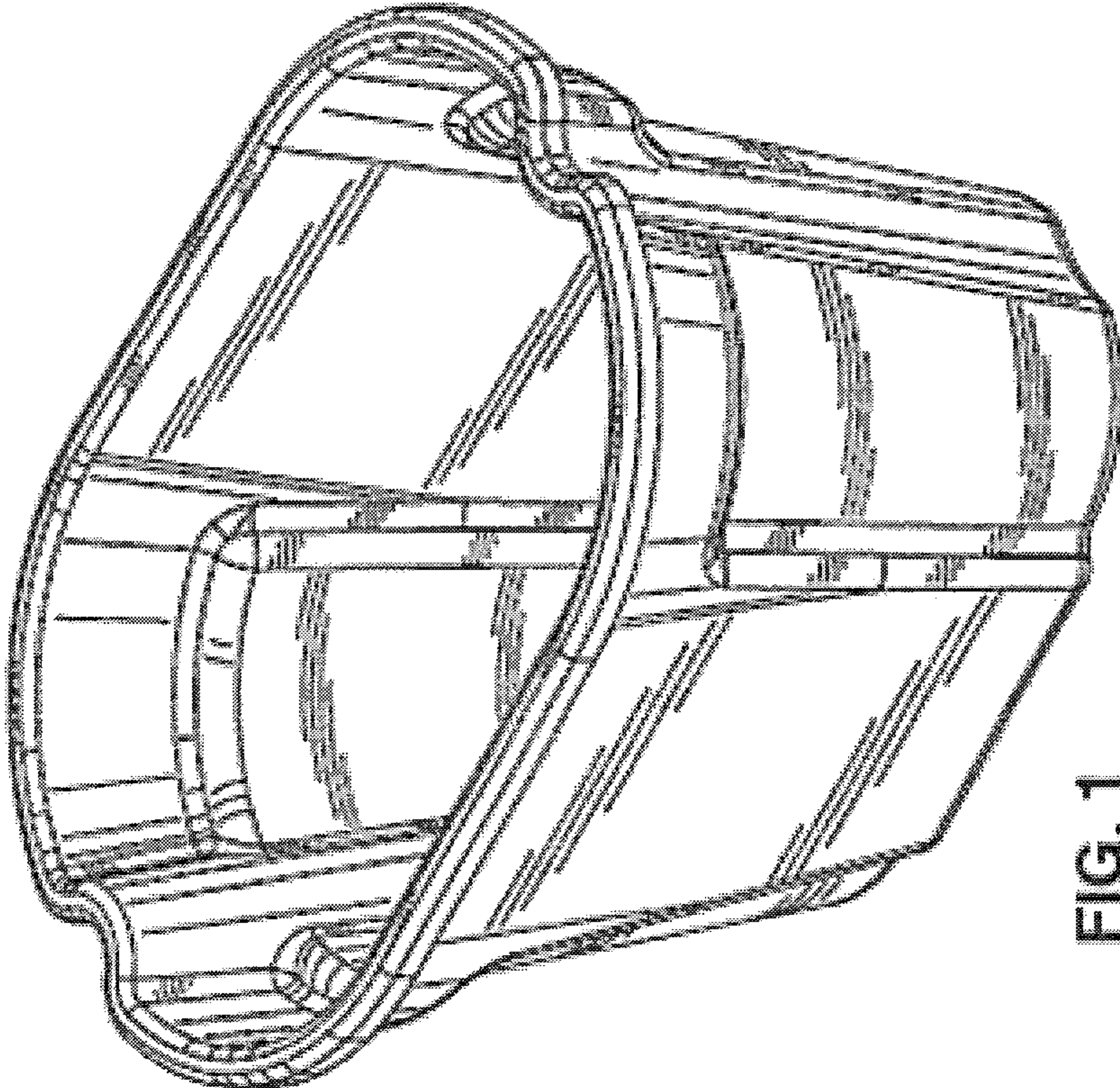


FIG. 1

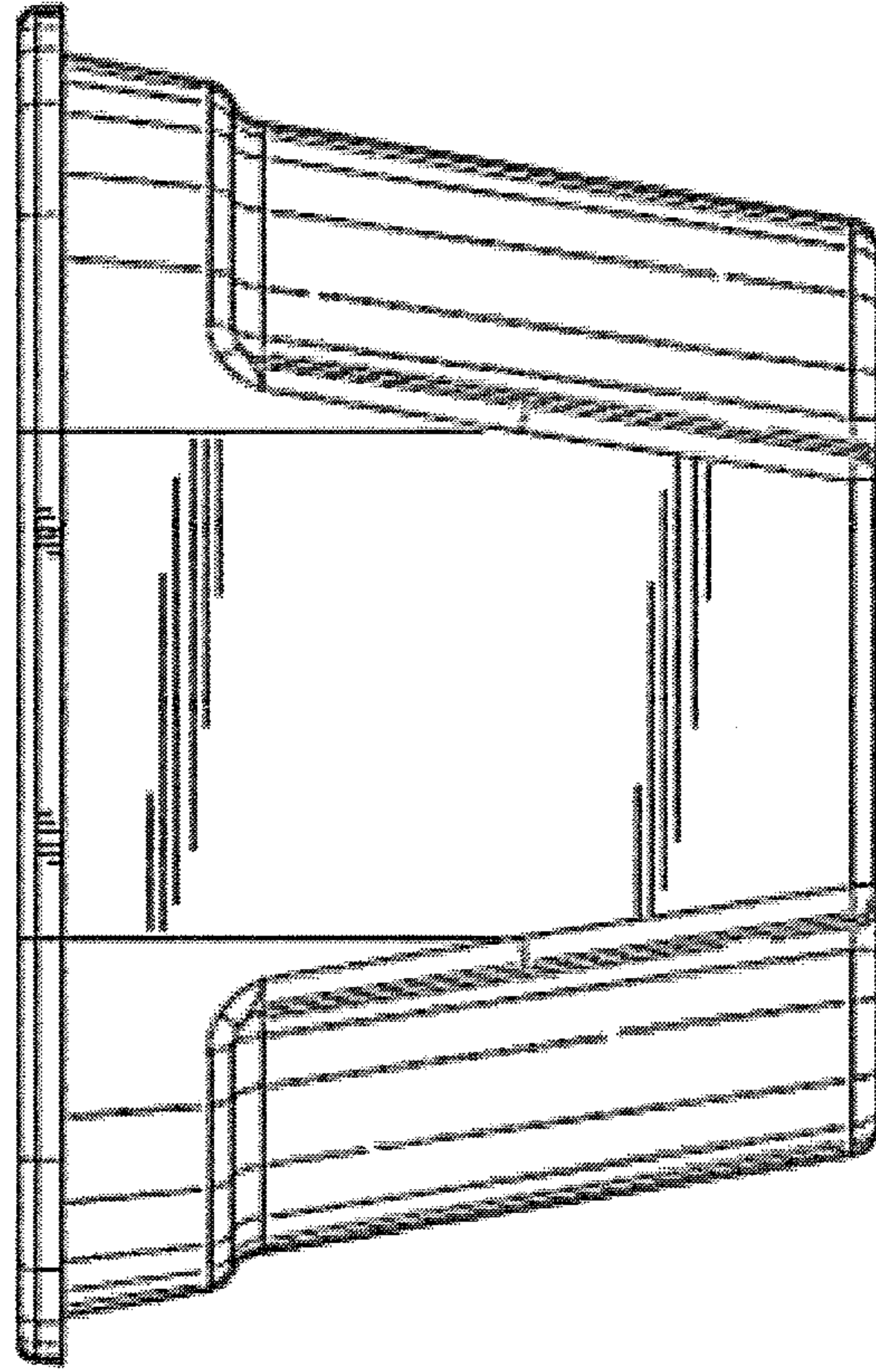


FIG. 4

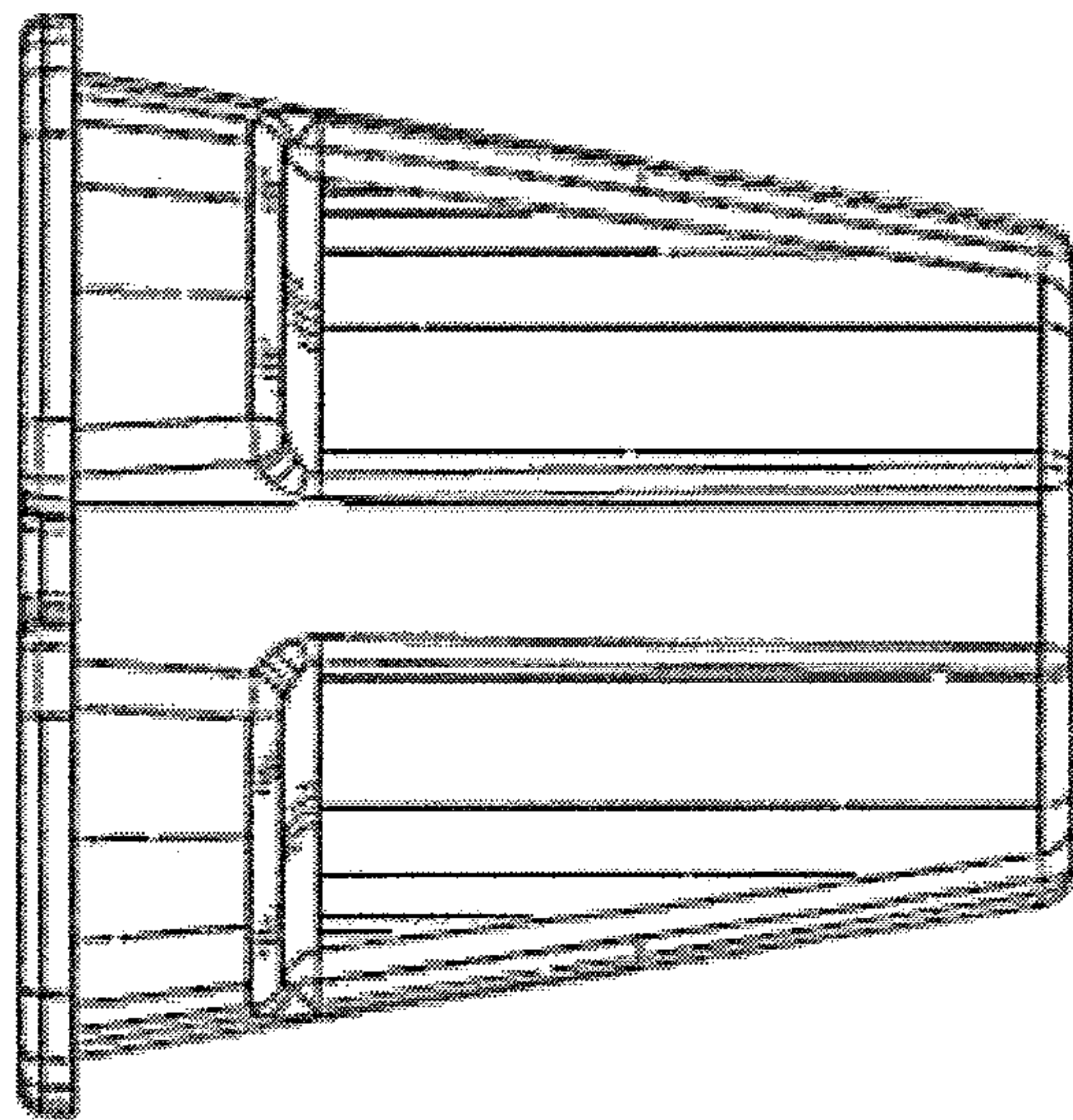


FIG. 3

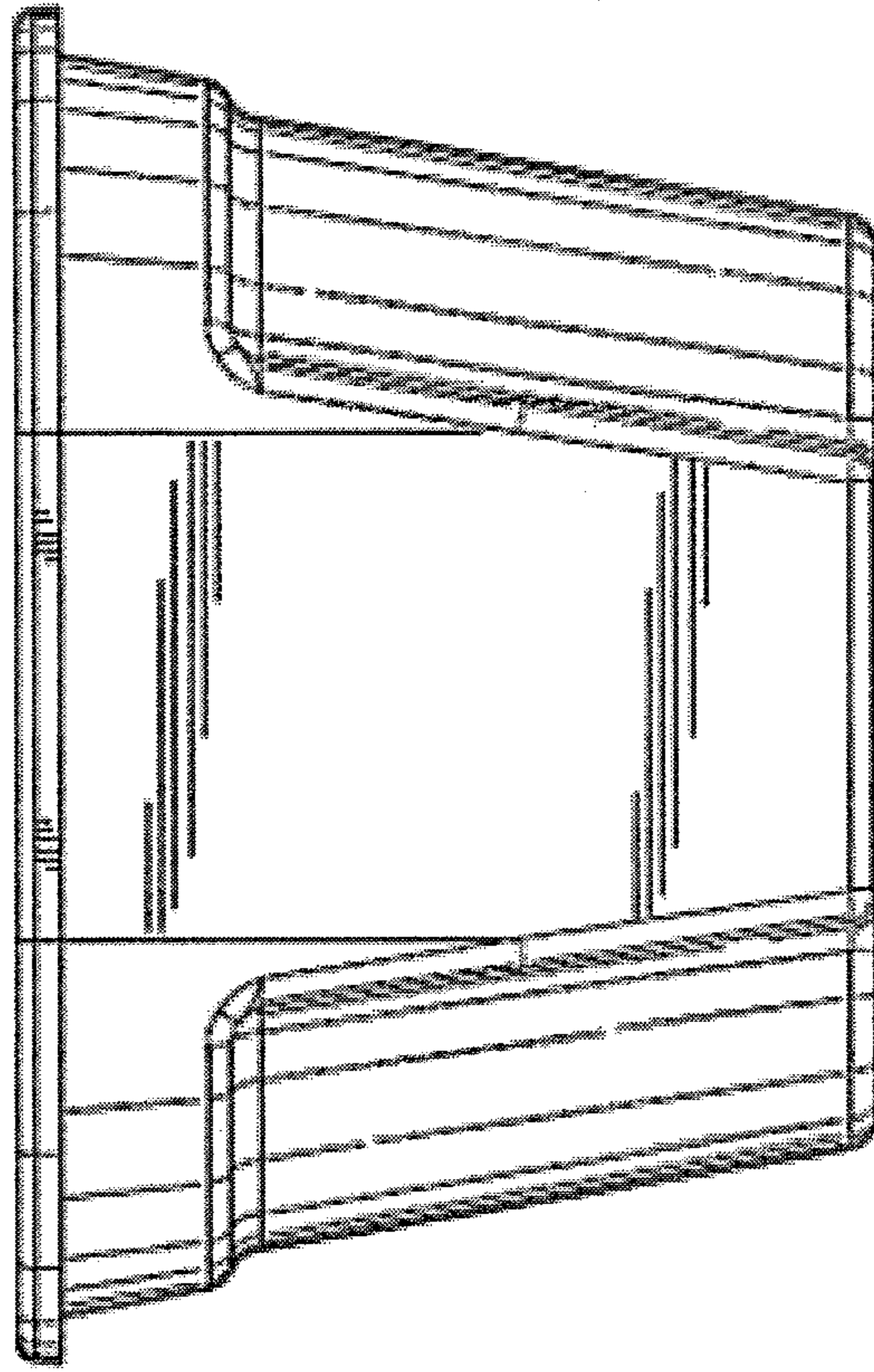


FIG. 5

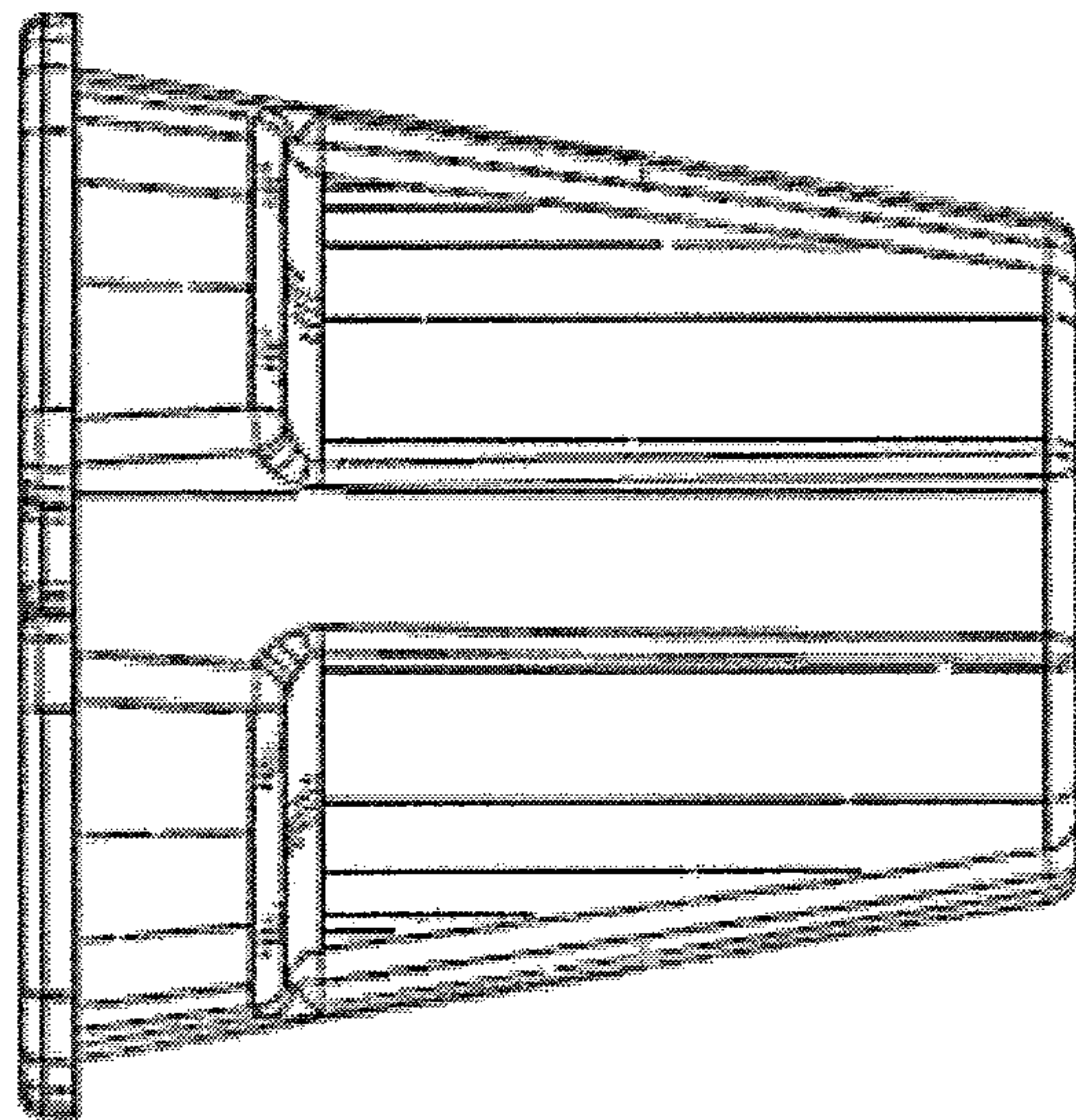


FIG. 6

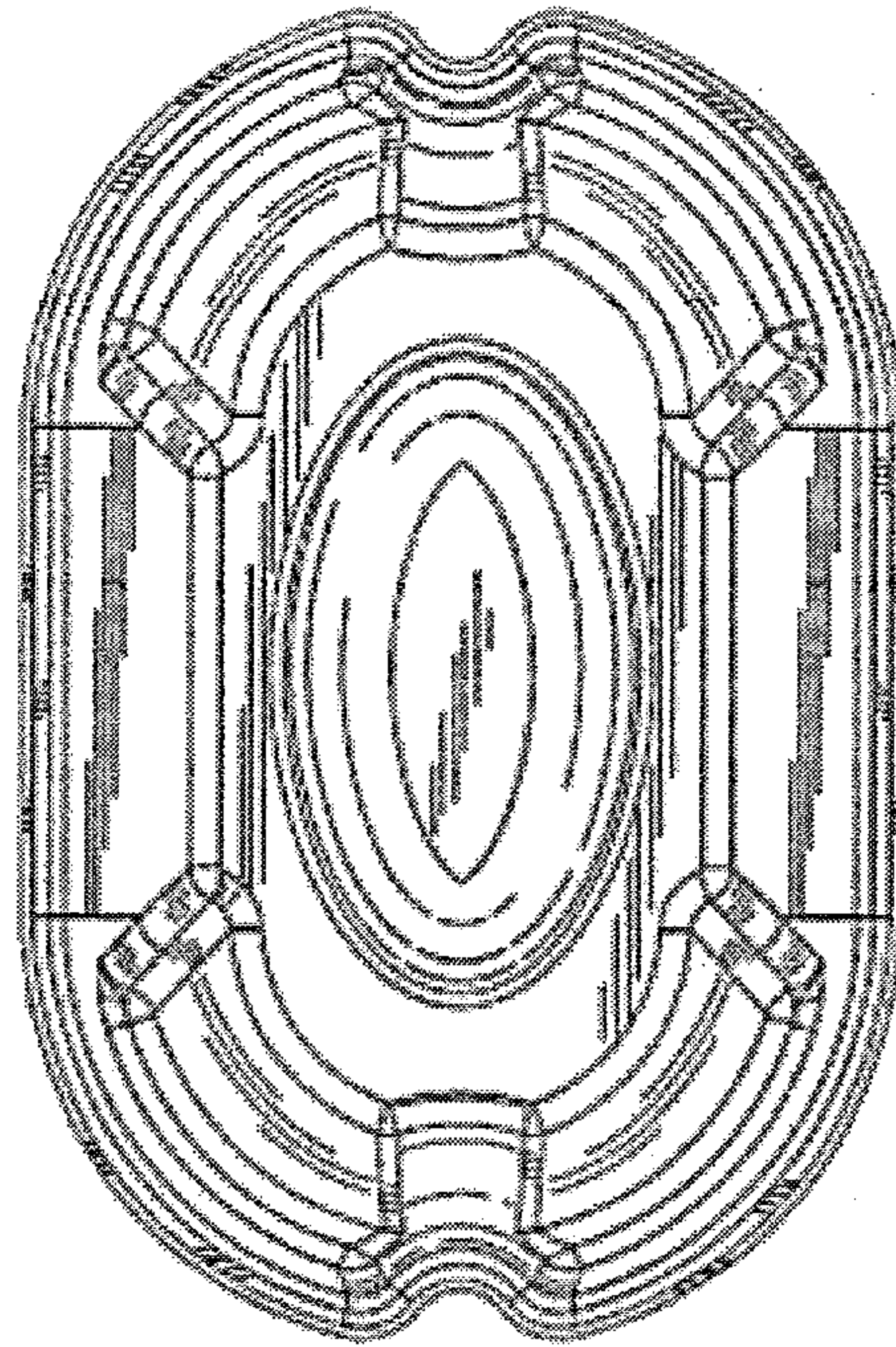


FIG. 8

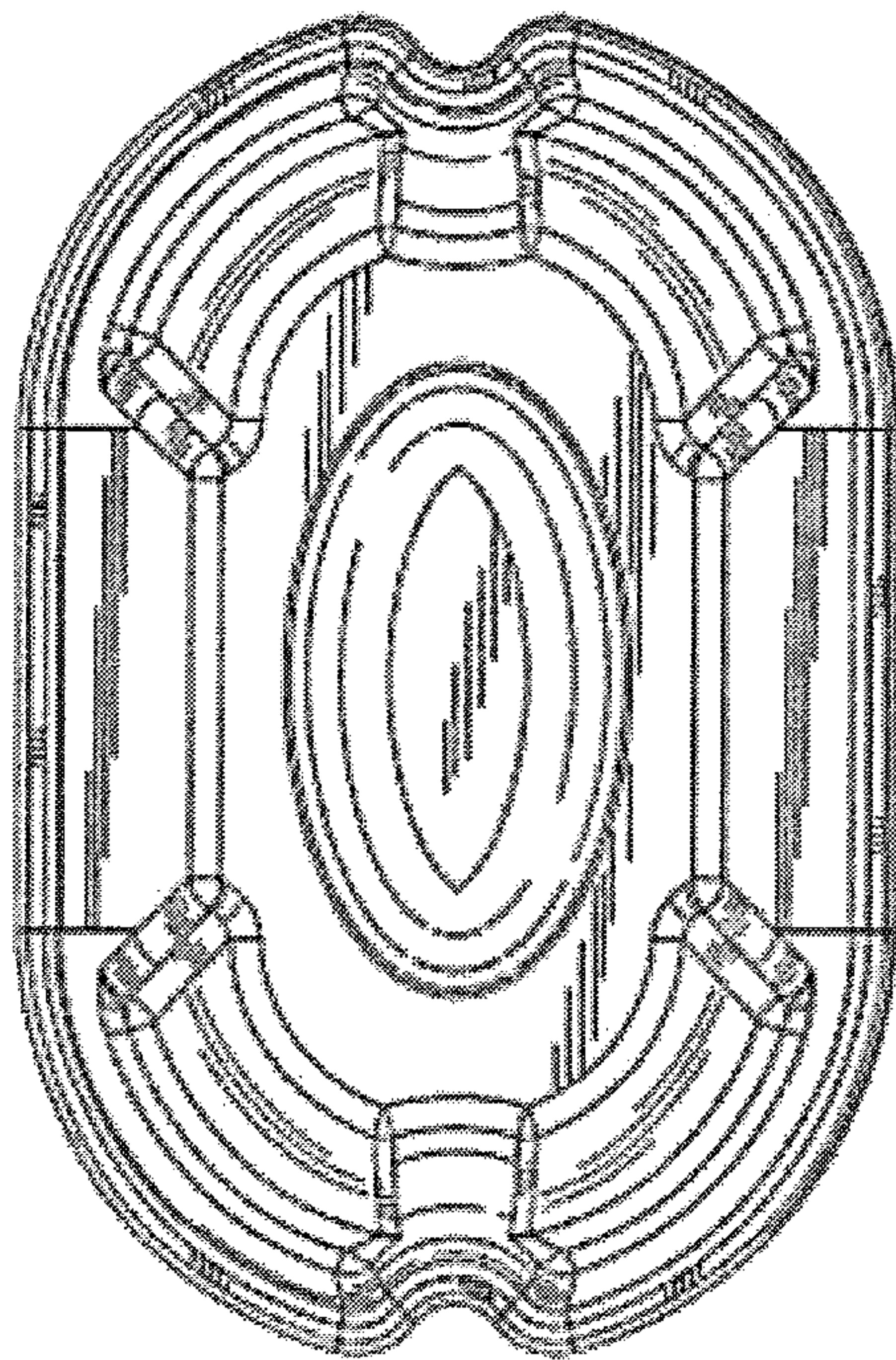


FIG. 7