

US00D732782S

(12) **United States Design Patent**
Huang

(10) **Patent No.:** **US D732,782 S**
(45) **Date of Patent:** **** Jun. 23, 2015**

- (54) **DISH DRAINER**
- (71) Applicant: **Anho Houseware Co., Ltd.**
(Jiangmen), Jiangmen, Guangdong (CN)
- (72) Inventor: **Jianming Huang, Guangdong (CN)**
- (73) Assignee: **Anho Houseware Co., Ltd.**
(Jiangmen), Jiangmen (CN)

D647,678 S	10/2011	Yang et al.	
D667,190 S *	9/2012	Miller	D32/55
D670,882 S	11/2012	Meredith	
D677,443 S *	3/2013	Urdaneta	D32/55
D690,069 S *	9/2013	Sofy et al.	D32/55
D692,200 S *	10/2013	Lee et al.	D32/55
D695,482 S *	12/2013	Huang	D32/55
D699,413 S *	2/2014	Huang	D32/55
D706,008 S *	5/2014	Lerner	D32/55
D714,508 S *	9/2014	Joy	D32/55
D720,109 S *	12/2014	Huang	D32/55

(**) Term: **14 Years**

* cited by examiner

(21) Appl. No.: **29/454,277**

Primary Examiner — Austin Murphy

(22) Filed: **May 8, 2013**

(74) *Attorney, Agent, or Firm* — Faegre Baker Daniels LLP

(51) **LOC (10) Cl.** **07-05**

(57) **CLAIM**

(52) **U.S. Cl.**
USPC **D32/56**

I claim the ornamental design for the dish drainer, as shown and described.

(58) **Field of Classification Search**
USPC D32/55, 276, 3; D6/510, 525; D30/133;
211/41.5, 41.4, 41.3, 41.8; 361/679.4;
312/311, 333, 334.4; D7/354, 629
CPC A47J 47/20; A47J 2201/00; A47J 47/00;
B65D 35/02; B65D 35/22; B65D 35/56
See application file for complete search history.

DESCRIPTION

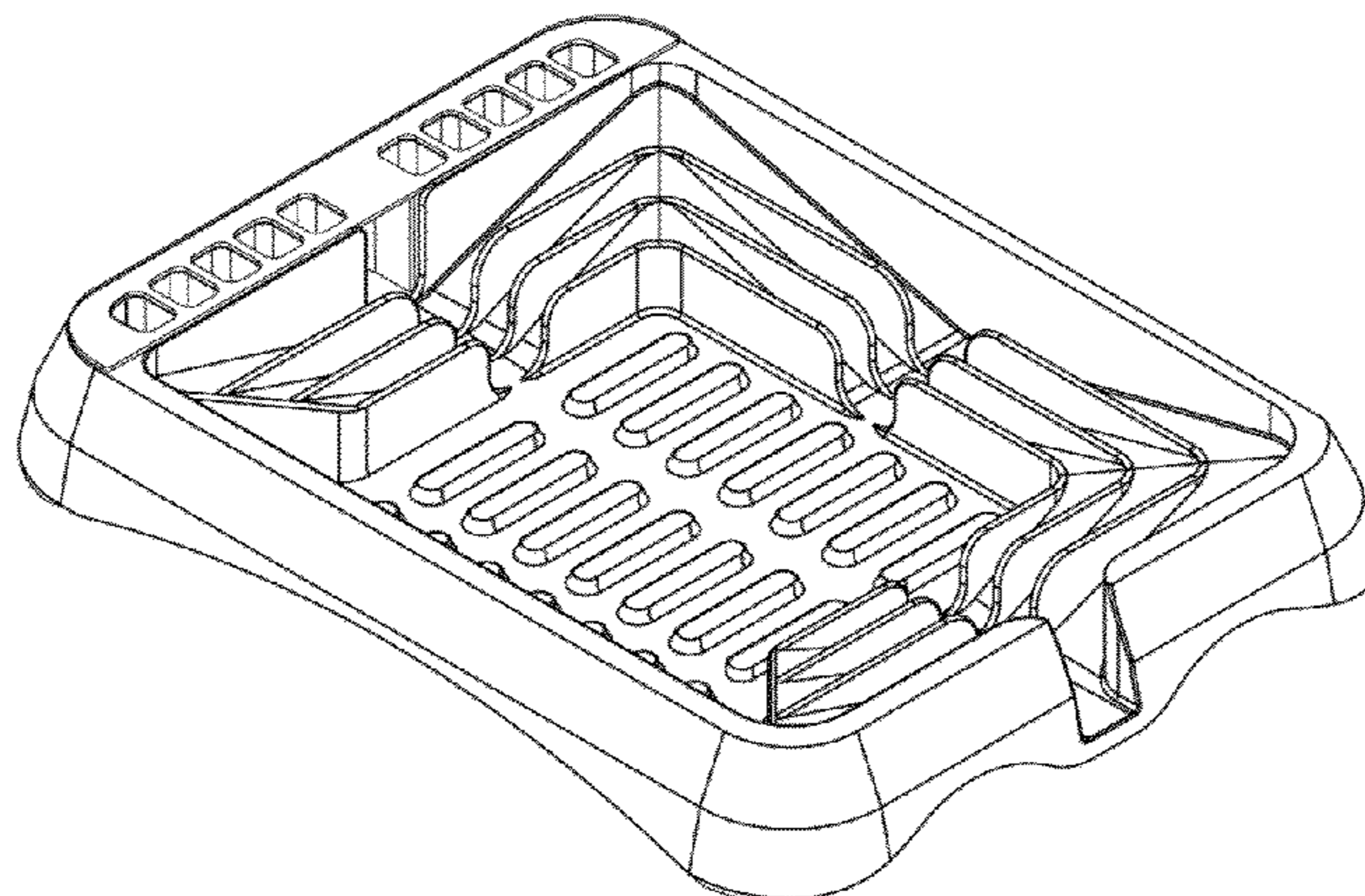
FIG. 1 is a front view of a dish drainer having an ornamental sheet according to the present application;
FIG. 2 is a rear view of a dish drainer having the ornamental sheet according to the present application;
FIG. 3 is a left view of the dish drainer having the ornamental sheet according to the present application;
FIG. 4 is a right view of the dish drainer having the ornamental sheet according to the present application;
FIG. 5 is a top view of the dish drainer having the ornamental sheet according to the present application;
FIG. 6 is a top view of the dish drainer without the ornamental sheet according to the present application;
FIG. 7 is a bottom view of the dish drainer according to the present application;
FIG. 8 is a perspective view of the dish drainer having the ornamental sheet according to the present application;
FIG. 9 is a perspective view of the dish drainer without the ornamental sheet according to the present application; and,
FIG. 10 is an exploded view of FIG. 8. The ornamental sheet is shown removed and is shown in two positions.

(56) **References Cited**

U.S. PATENT DOCUMENTS

D373,866 S	9/1996	Belden et al.	
D490,198 S *	5/2004	Jerstroem et al.	D32/55
D492,457 S	6/2004	Soroka	
D520,699 S	5/2006	Yang et al.	
D534,701 S	1/2007	Schmidt	
D555,310 S	11/2007	Yang et al.	
D555,311 S	11/2007	Yang et al.	
D559,491 S	1/2008	Yang et al.	
7,407,059 B2	8/2008	Sullivan et al.	
D581,619 S	11/2008	Yang et al.	
D586,061 S	2/2009	Curtin	
D589,222 S	3/2009	Gicela et al.	
D599,067 S	8/2009	Yang et al.	
D599,068 S	8/2009	Yang et al.	
D599,519 S	9/2009	Cohen	
D634,089 S *	3/2011	Wisniewski	D32/55

1 Claim, 6 Drawing Sheets



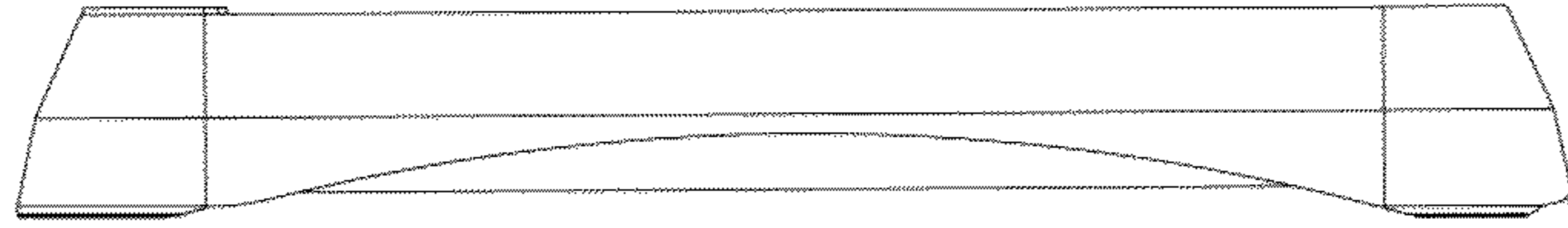


Figure 1

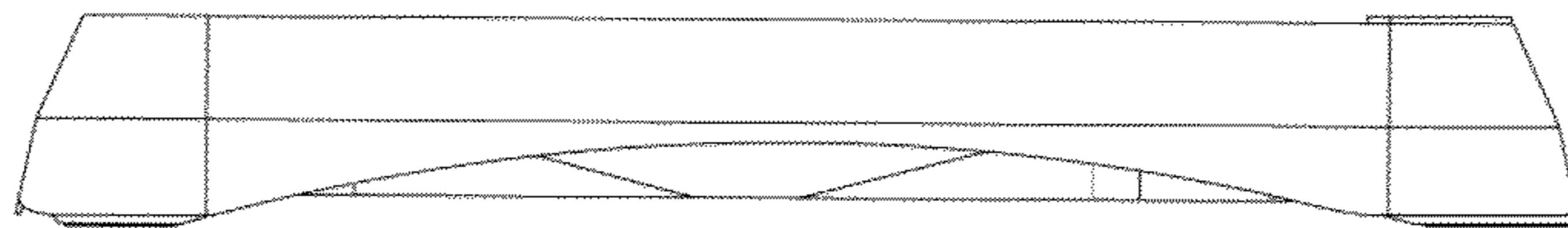


Figure 2

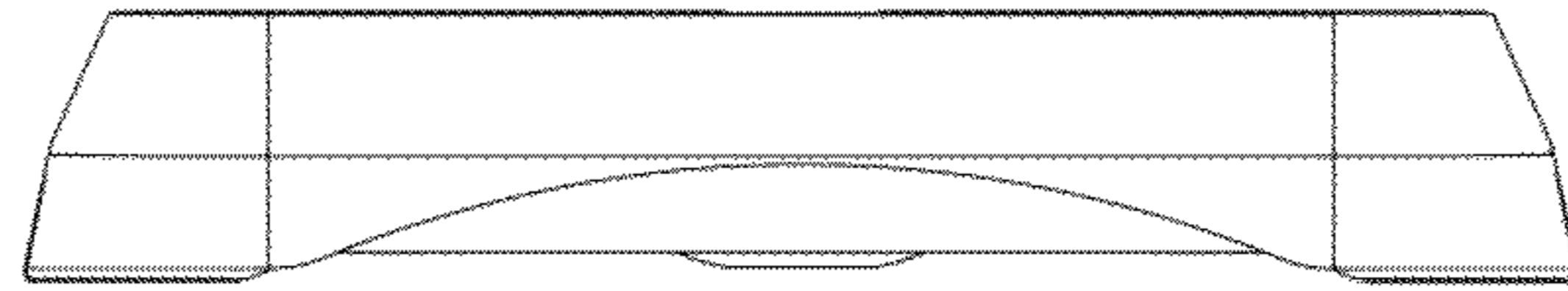


Figure 3

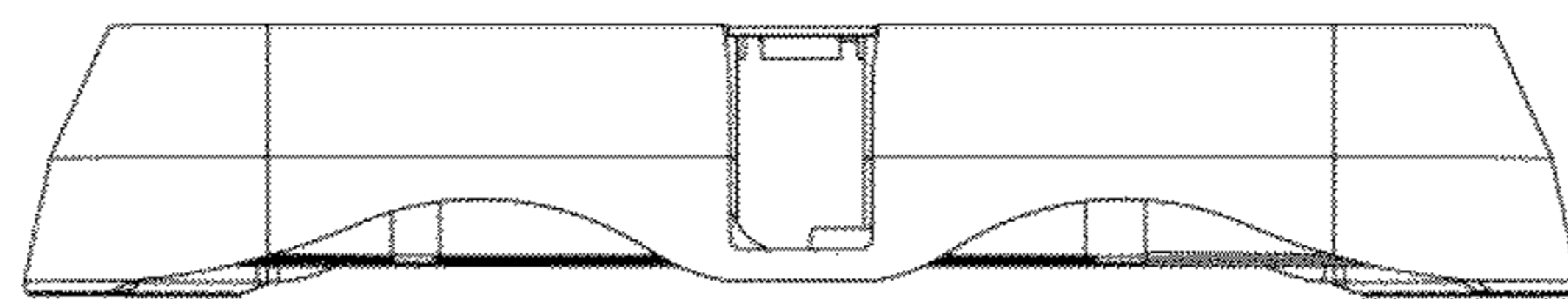


Figure 4

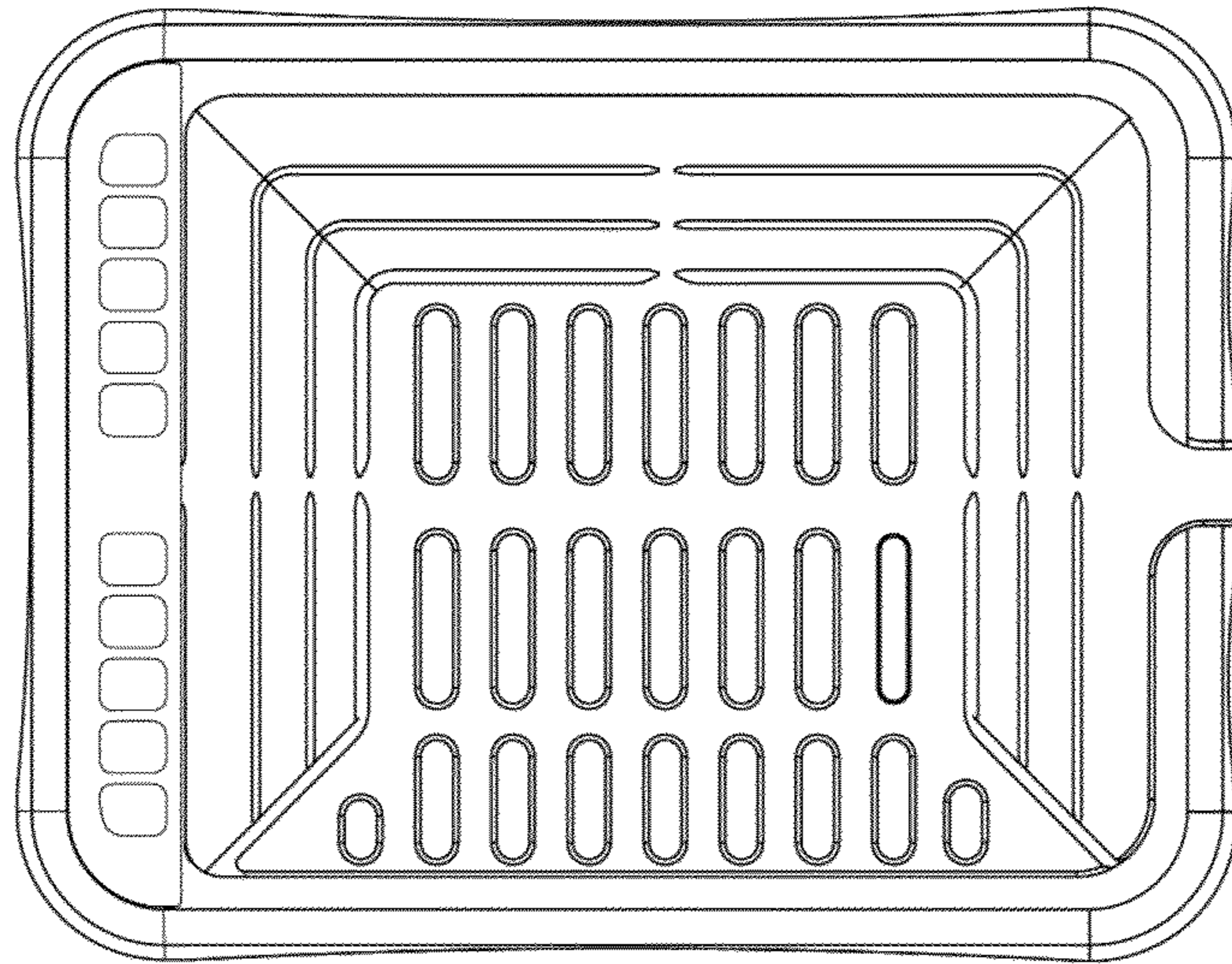


Figure 5

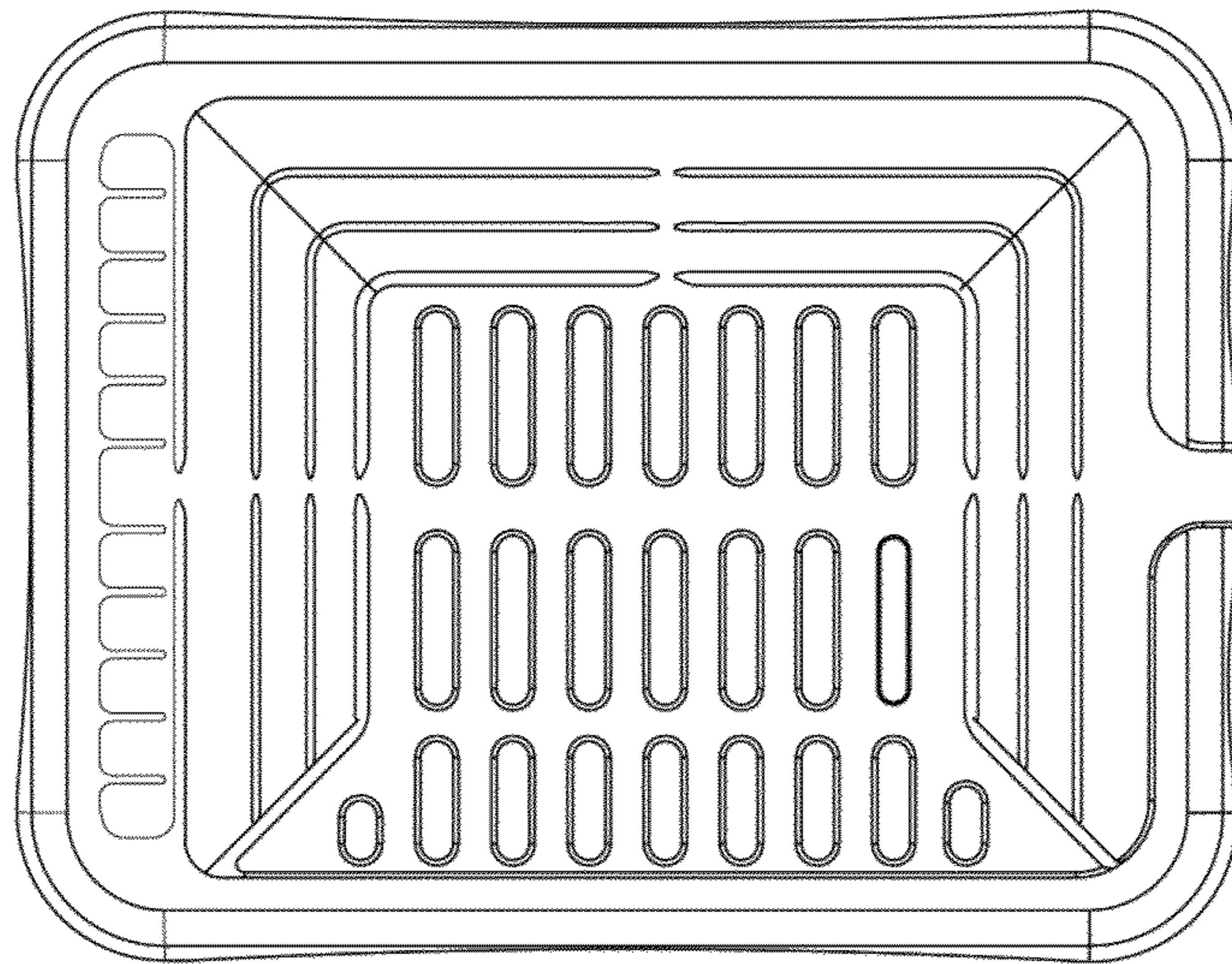


Figure 6

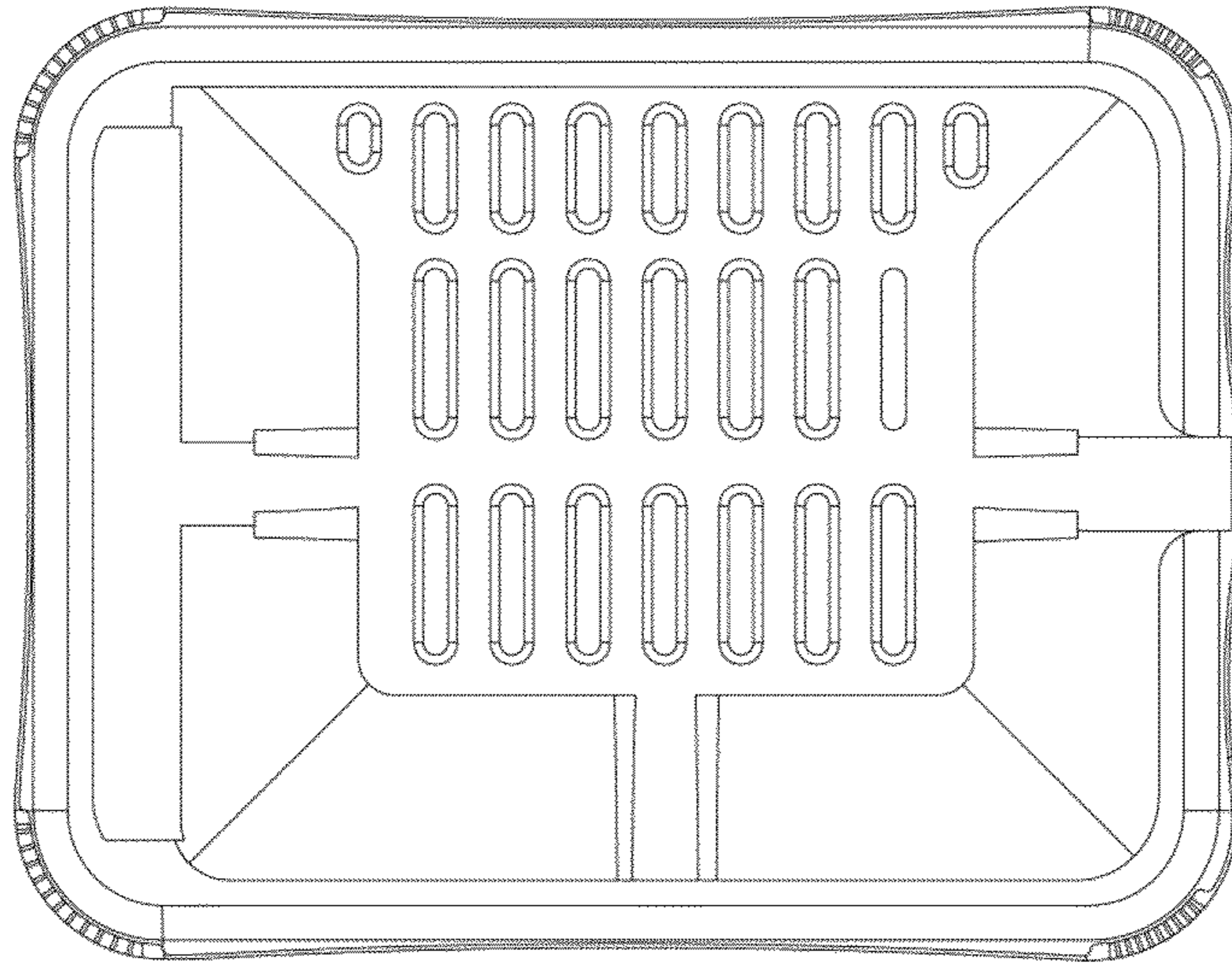


Figure 7

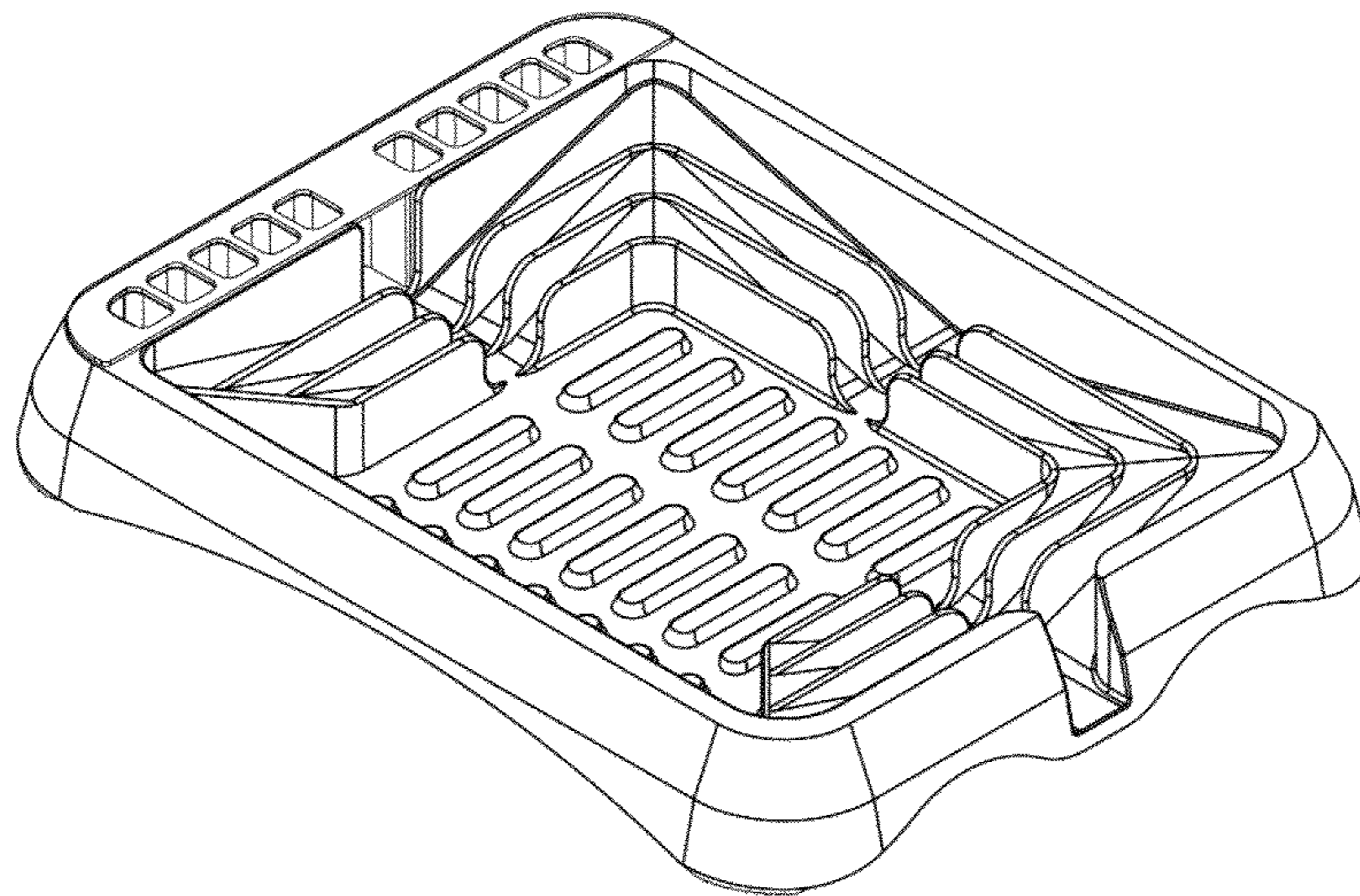


Figure 8

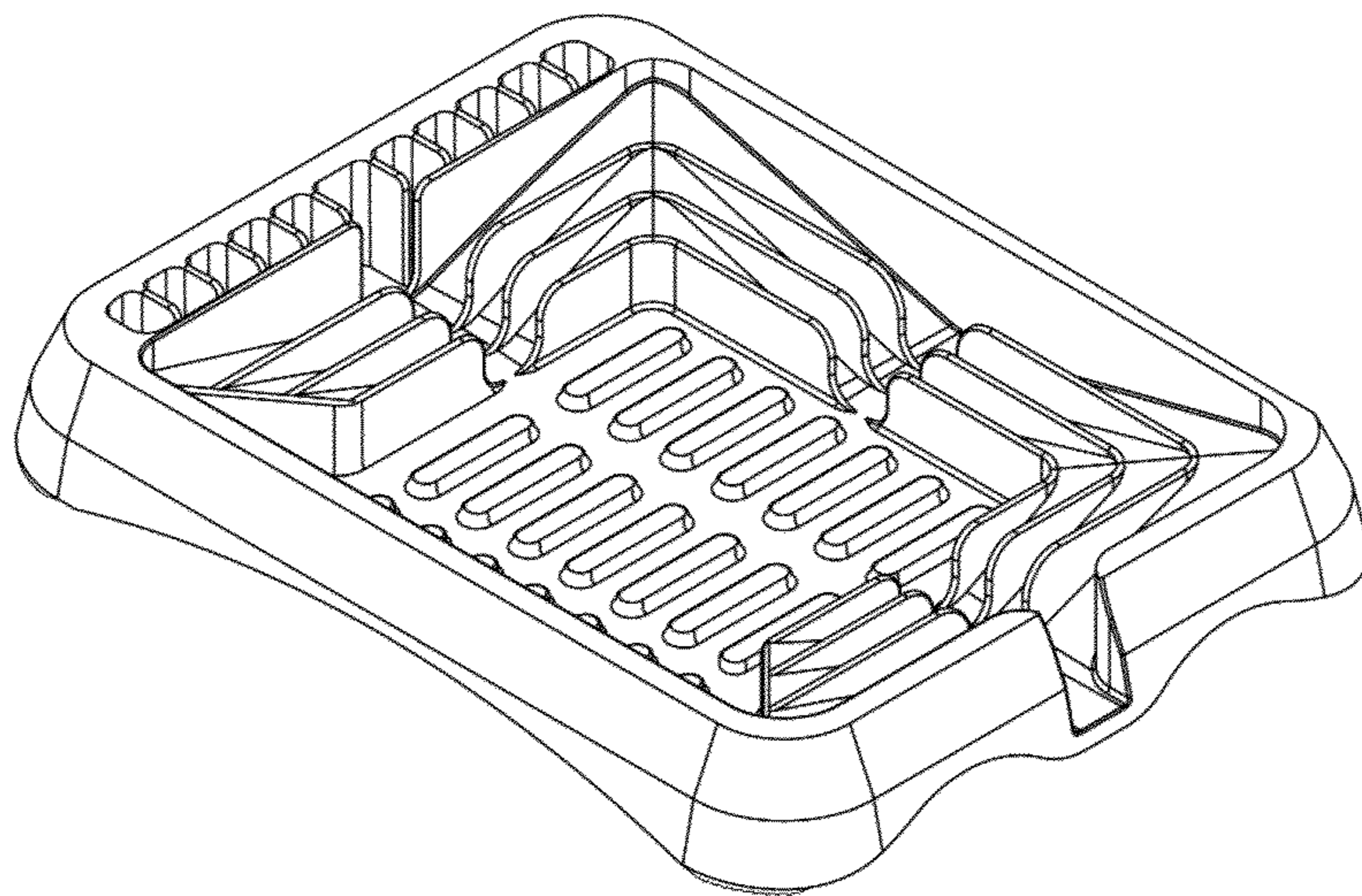


Figure 9

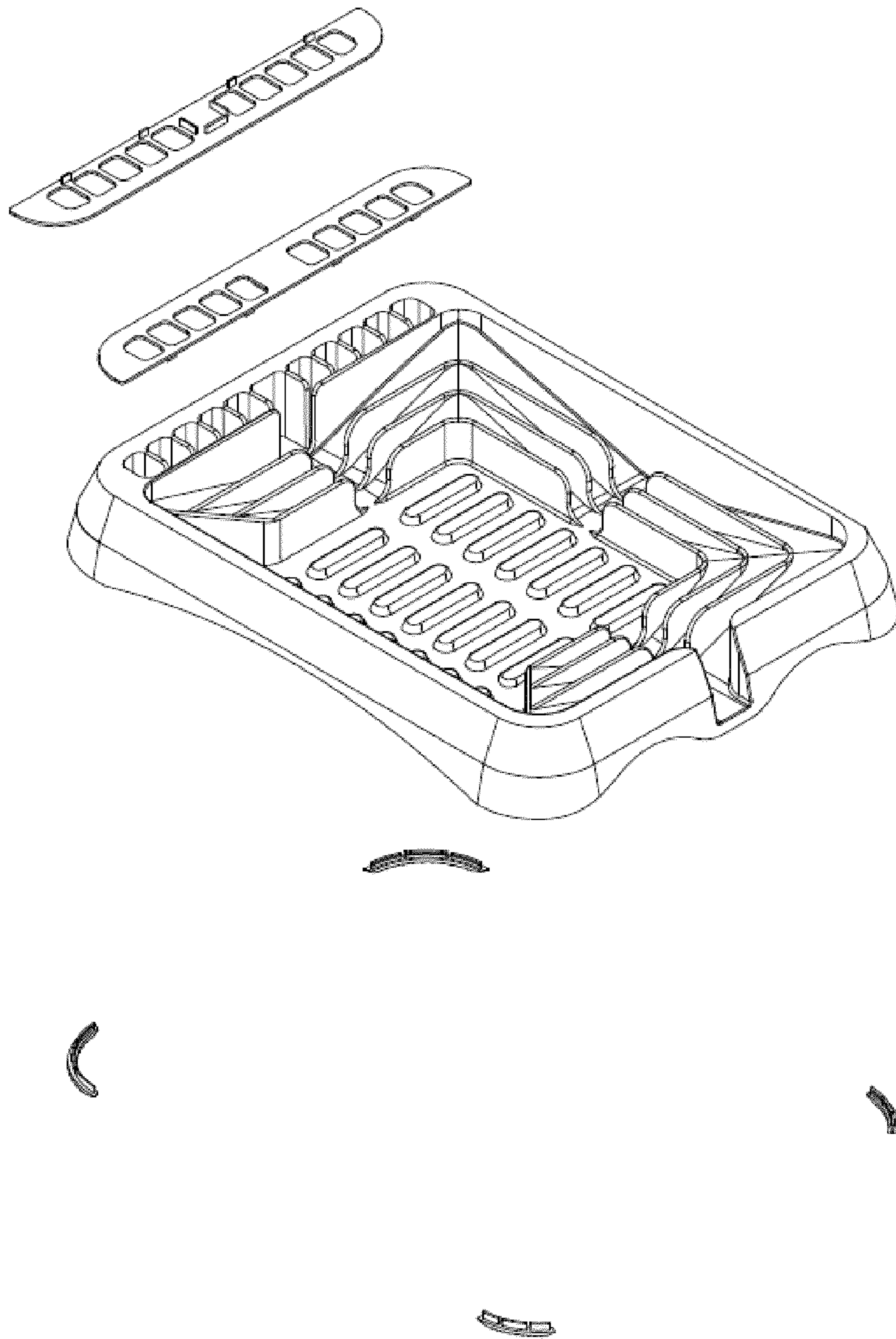


Figure 10