

US00D732779S

(12) **United States Design Patent**
Bittle

(10) **Patent No.:** **US D732,779 S**
(45) **Date of Patent:** **** Jun. 23, 2015**

(54) **LAUNDRY SORTER FRAME**

(71) Applicant: **Easy Home Organization Manufacturing Co., Ltd., Shenzhen (CN)**

(72) Inventor: **Bobby Joe Bittle, Bentonville, AR (US)**

(73) Assignee: **EASY HOME ORGANIZATION MANUFACTURING CO., LTD., Shenzhen (CN)**

(**) Term: **14 Years**

(21) Appl. No.: **29/492,167**

(22) Filed: **May 29, 2014**

(51) **LOC (10) Cl.** **07-07**

(52) **U.S. Cl.**
USPC **D32/37**

(58) **Field of Classification Search**
USPC D32/35, 37, 53; D3/201, 304, 305, 306, D3/307, 308, 309, 312, 314; D9/420, 423, D9/501, 721, 742; D34/5, 6, 11; 206/292, 206/299; 220/752; 248/95, 97, 98
See application file for complete search history.

(56) **References Cited**

U.S. PATENT DOCUMENTS

| | | | | | |
|--------------|------|---------|------------------|-------|-----------|
| 2,625,973 | A * | 1/1953 | Weldon et al. | | 220/909 |
| 3,388,882 | A * | 6/1968 | Burroughs et al. | | 248/97 |
| D279,038 | S * | 5/1985 | Thompson, Jr. | | D32/37 |
| 4,585,283 | A * | 4/1986 | Redmon et al. | | 220/909 |
| 4,588,154 | A * | 5/1986 | Basore | | 248/99 |
| 5,154,359 | A * | 10/1992 | Junta et al. | | D34/5 |
| 5,967,342 | A * | 10/1999 | Steffine | | D32/37 |
| 6,691,879 | B1 * | 2/2004 | Alvarez | | 211/175 |
| 8,910,813 | B1 * | 12/2014 | Barre et al. | | 220/23.83 |
| 2006/0157358 | A1 * | 7/2006 | Heidel | | 206/278 |

| | | | | | |
|--------------|------|---------|---------------|-------|----------|
| 2006/0255213 | A1 * | 11/2006 | Lawson et al. | | 248/95 |
| 2012/0241398 | A1 * | 9/2012 | Lam | | 211/85.3 |
| 2014/0217247 | A1 * | 8/2014 | Kemmer et al. | | 248/98 |

OTHER PUBLICATIONS

Linen Quad Front Load Laundry Sorter, <http://www.target.com/p/threshold-brown-linen-quad-front-load-laundry-sorter/-/A-14450172>, accessed Aug. 29, 2014.

* cited by examiner

Primary Examiner — George D Kirschbaum

Assistant Examiner — Natasha Vujcic

(74) *Attorney, Agent, or Firm* — Husch Blackwell LLP

(57) **CLAIM**

The ornamental design for a laundry sorter frame, as shown and described.

DESCRIPTION

FIG. 1 is a top perspective view of the design of a laundry sorter frame;

FIG. 2 is a front side view of the laundry sorter frame shown in FIG. 1;

FIG. 3 is a back side view of the laundry sorter frame shown in FIG. 1;

FIG. 4 is a left side view of the laundry sorter frame shown in FIG. 1;

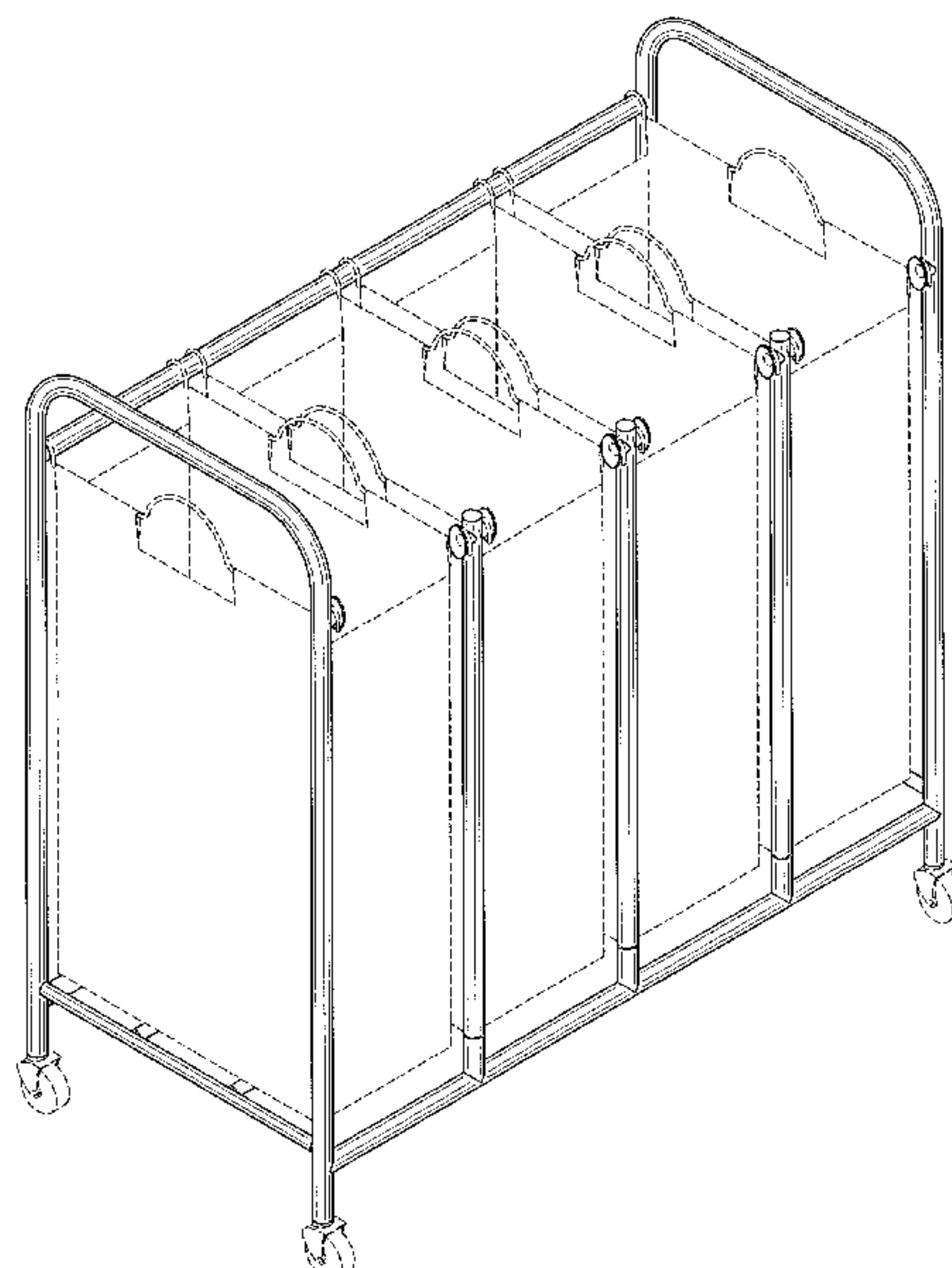
FIG. 5 is a right side view of the laundry sorter frame shown in FIG. 1;

FIG. 6 is a top plan view of the laundry sorter frame shown in FIG. 1; and,

FIG. 7 is a bottom plan view of the laundry sorter frame shown in FIG. 1.

The broken lines in the drawings illustrate portions of the laundry sorter frame which form no part of the claimed design.

1 Claim, 5 Drawing Sheets



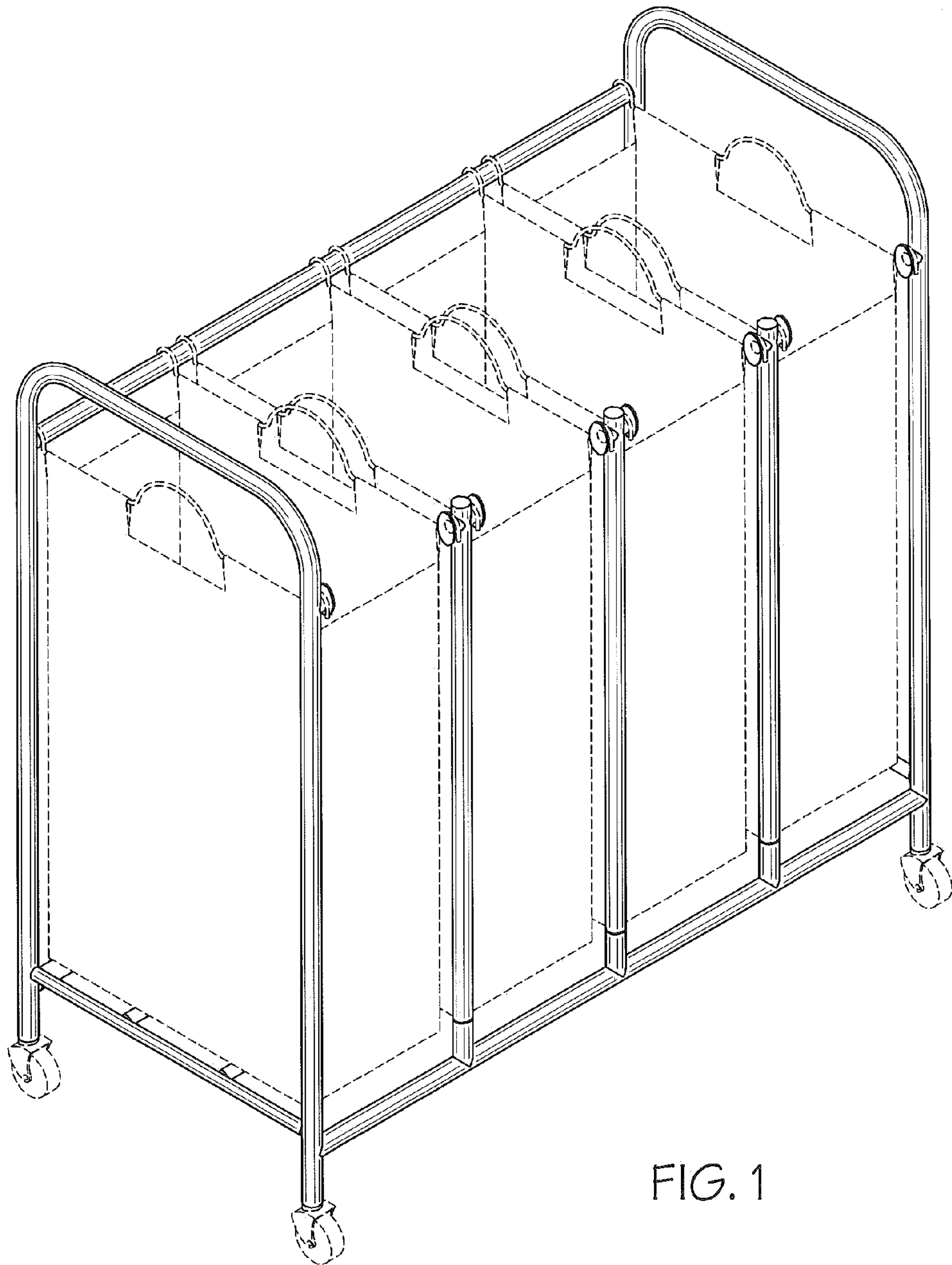


FIG. 1

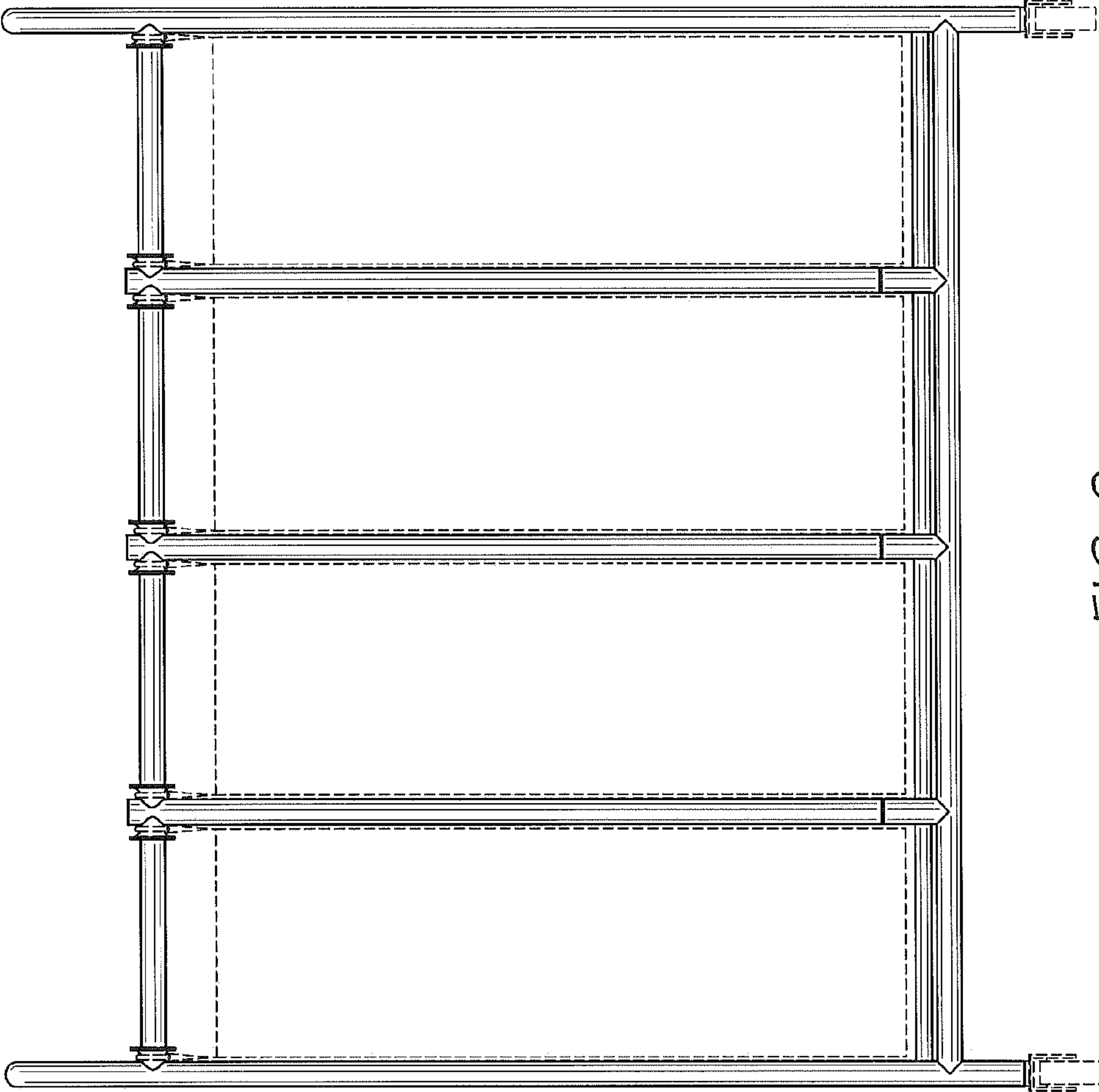


FIG. 2

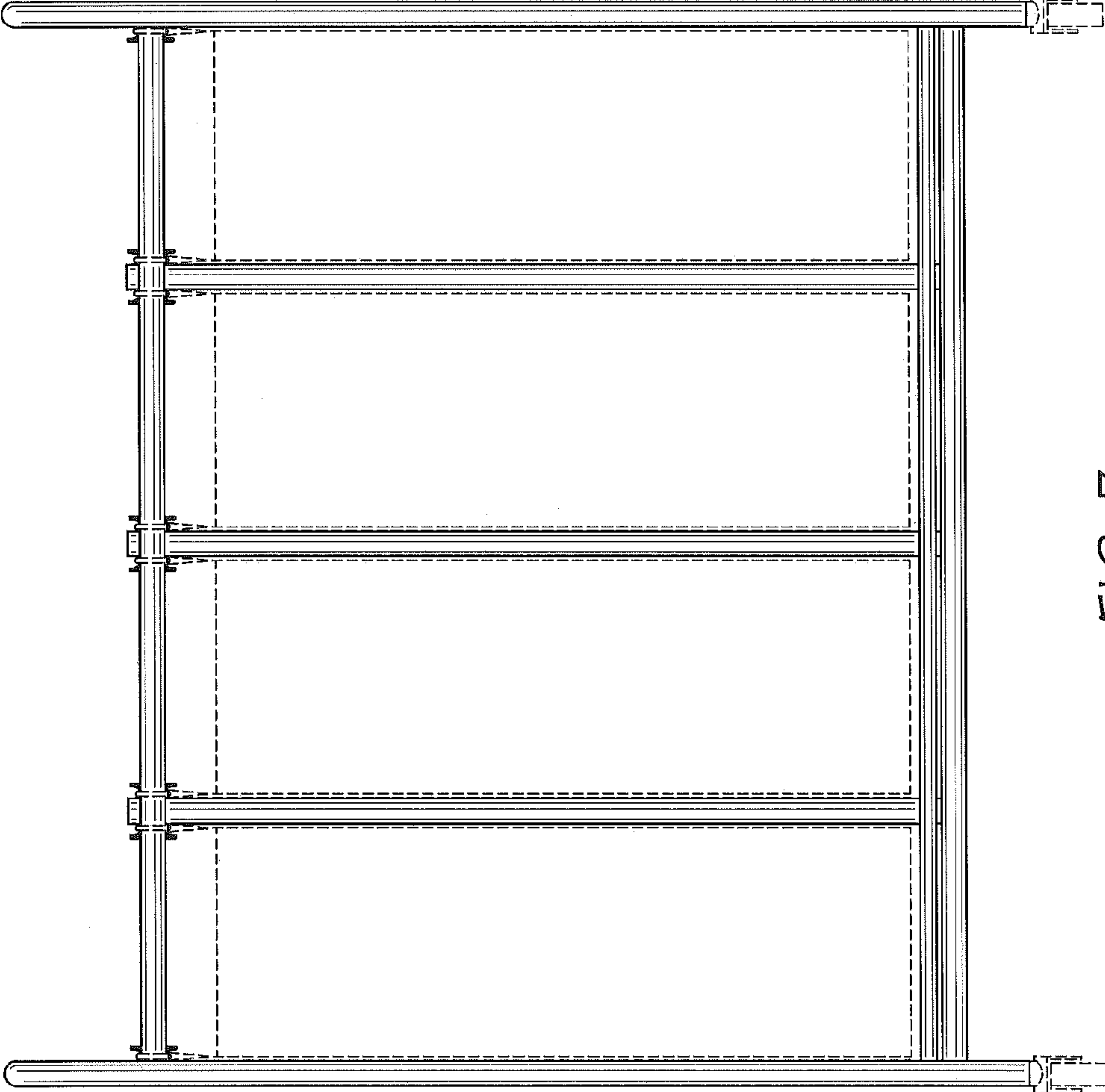


FIG. 3

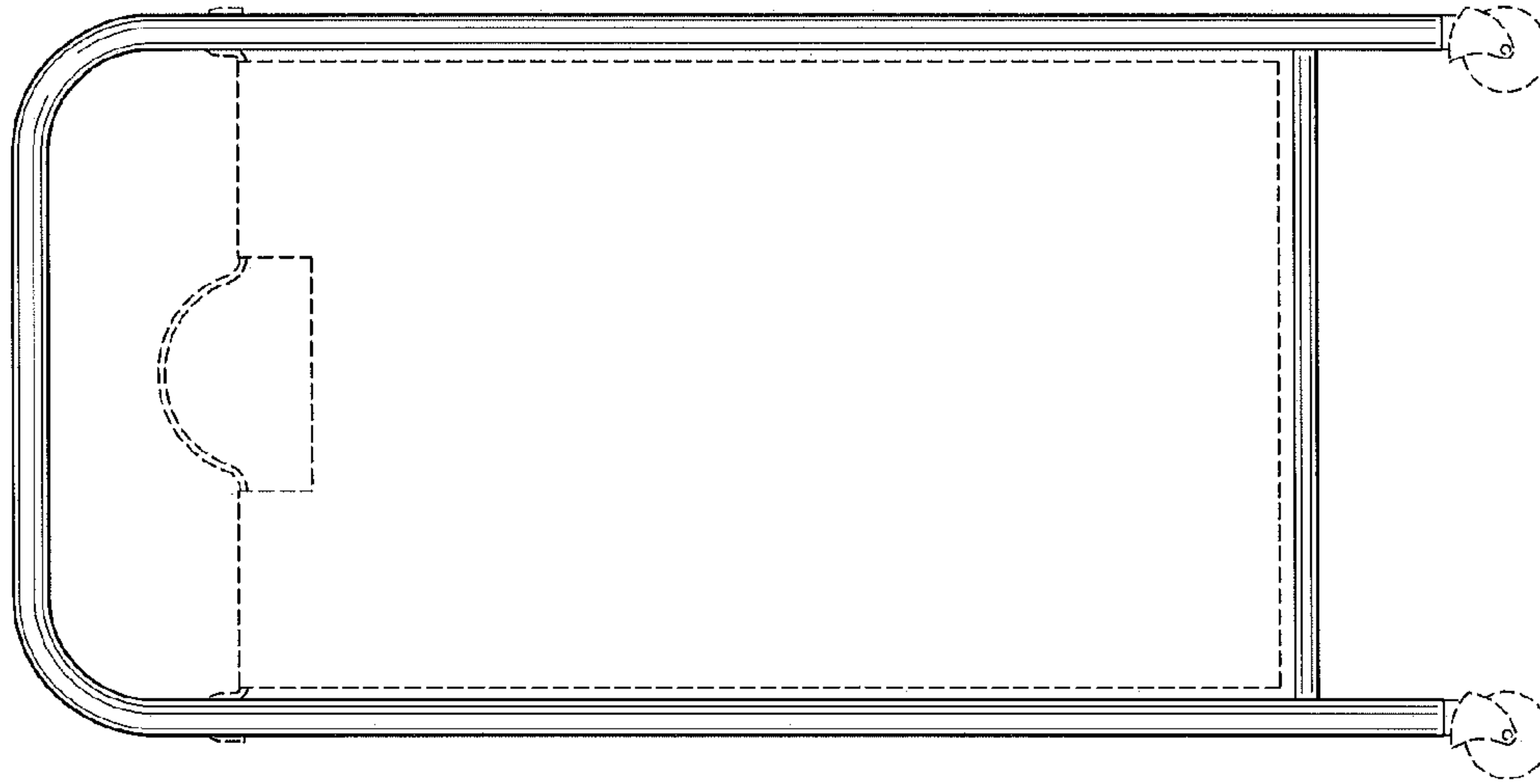


FIG. 5

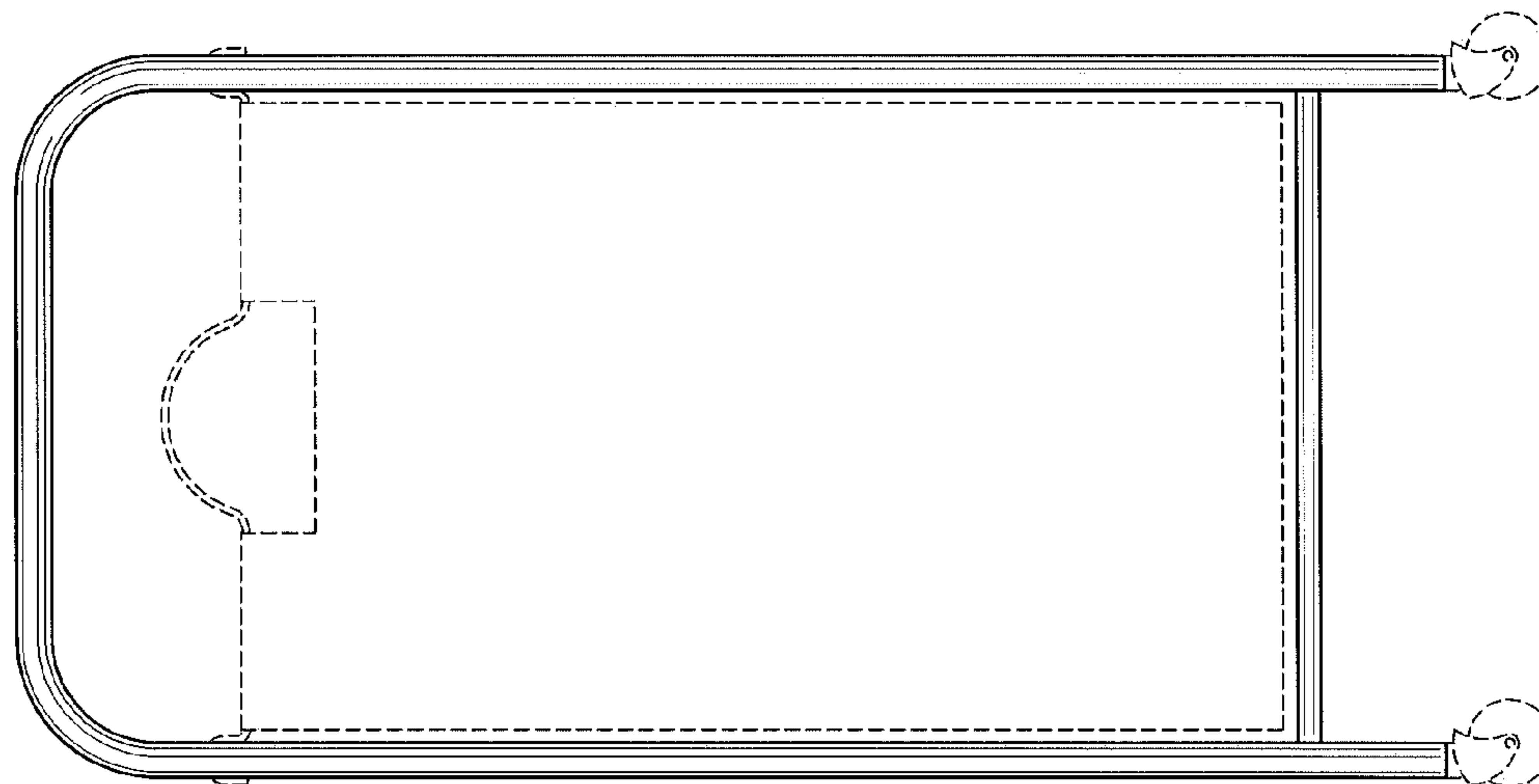


FIG. 4

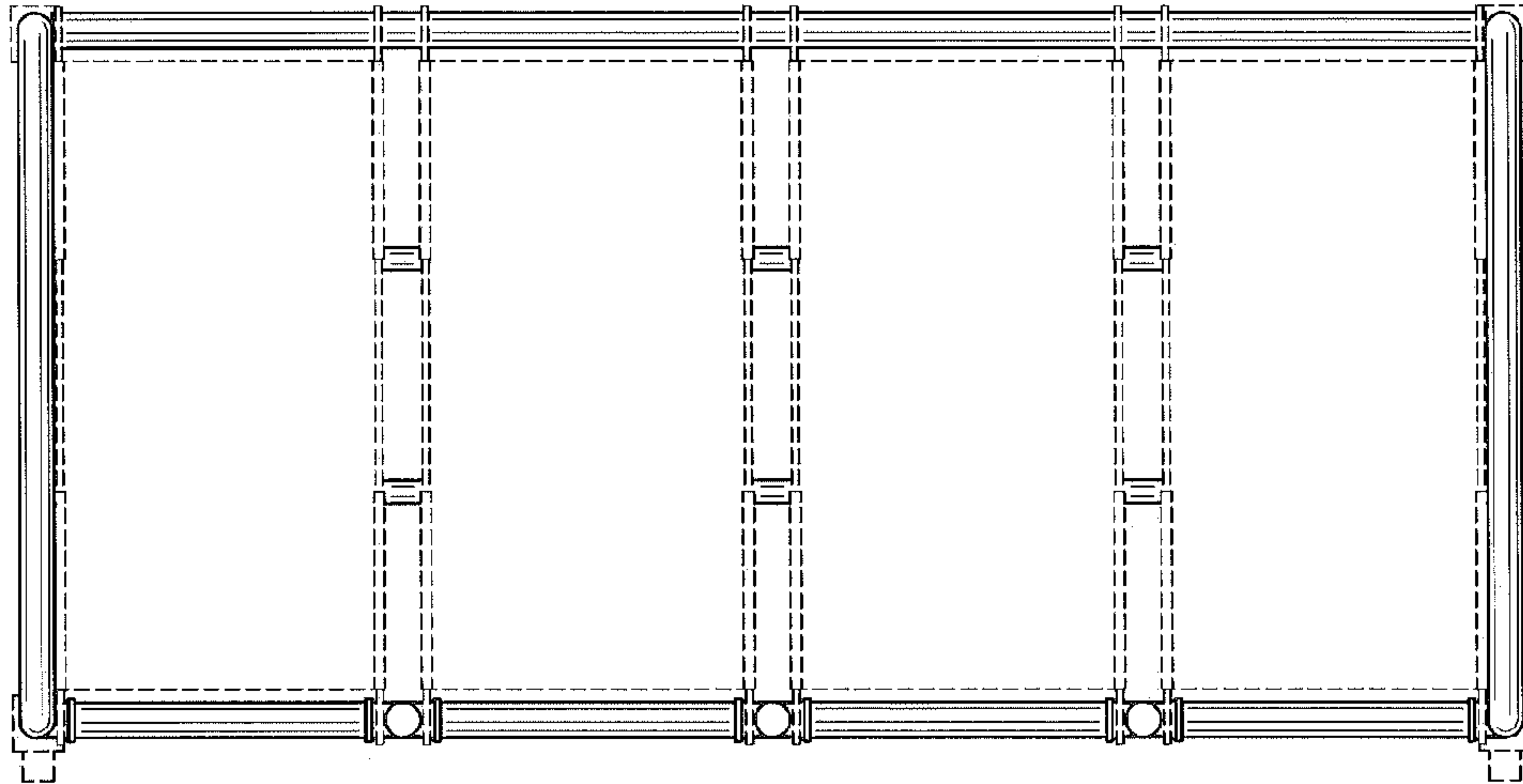


FIG. 6

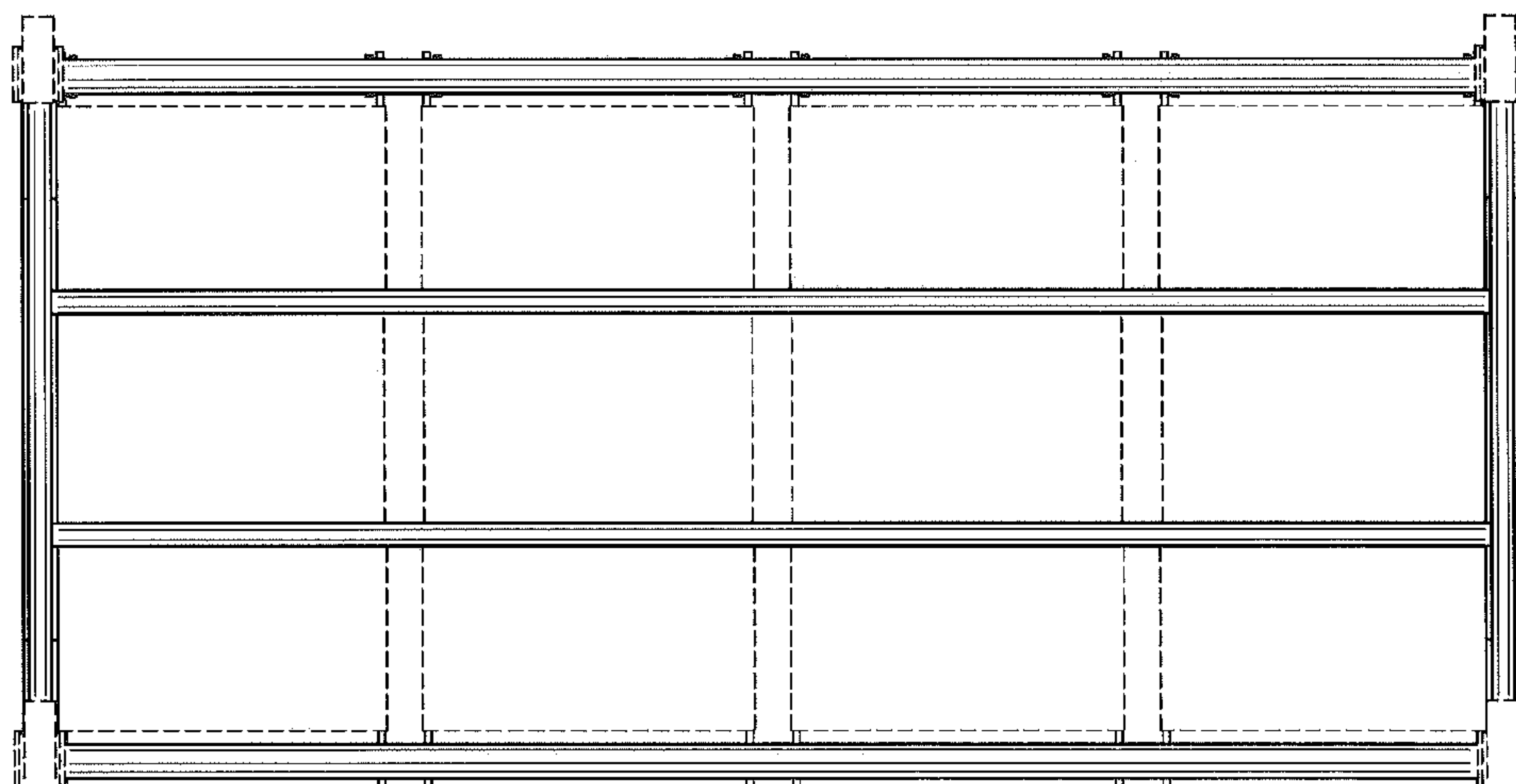


FIG. 7