



US00D732771S

(12) **United States Design Patent**  
**Chung et al.**

(10) **Patent No.:** **US D732,771 S**  
(45) **Date of Patent:** **\*\* Jun. 23, 2015**

(54) **DOOR FOR CLOTHES MANAGEMENT APPARATUS**

5,305,484 A \* 4/1994 Fitzpatrick et al. .... 8/149.3  
5,815,961 A \* 10/1998 Estes et al. .... 38/14  
6,018,885 A \* 2/2000 Hill ..... 34/202  
D427,454 S \* 7/2000 Munch et al. .... D6/663

(71) Applicant: **LG Electronics Inc.**, Seoul (KR)

(Continued)

(72) Inventors: **Wookjun Chung**, Seoul (KR);  
**Jaemyung Lim**, Seoul (KR);  
**Byeongkook Kim**, Seoul (KR); **Junghoi Choi**, Seoul (KR)

**OTHER PUBLICATIONS**

LG clothing management cabinet, dated Jan. 7, 2013. www.lgnewsroom.com/ces2013.\*

(73) Assignee: **LG Electronics Inc.**, Seoul (KR)

(Continued)

(\*\*) Term: **14 Years**

*Primary Examiner* — Sandra Morris

(21) Appl. No.: **29/484,204**

(74) *Attorney, Agent, or Firm* — Morgan, Lewis & Bockius LLP

(22) Filed: **Mar. 7, 2014**

(57) **CLAIM**

(30) **Foreign Application Priority Data**

The ornamental design for a door for clothes management apparatus, as shown and described.

Sep. 11, 2013 (KR) ..... 30-2013-0046957

**DESCRIPTION**

(51) **LOC (10) Cl.** ..... **15-05**

(52) **U.S. Cl.**  
USPC ..... **D32/25**

(58) **Field of Classification Search**  
USPC ..... D3/319, 328; D6/556, 559–561, 660,  
D6/662, 662.1, 663, 703, 703.2; D25/33,  
D25/48.3, 121–122, 125, 138; D32/1, 6, 8,  
D32/10, 25; 68/3 R, 5 R, 5 C; 312/326  
CPC ..... D06F 58/10; D06F 58/20; F25D 23/02;  
E05Y 2900/20; E05Y 2900/30  
See application file for complete search history.

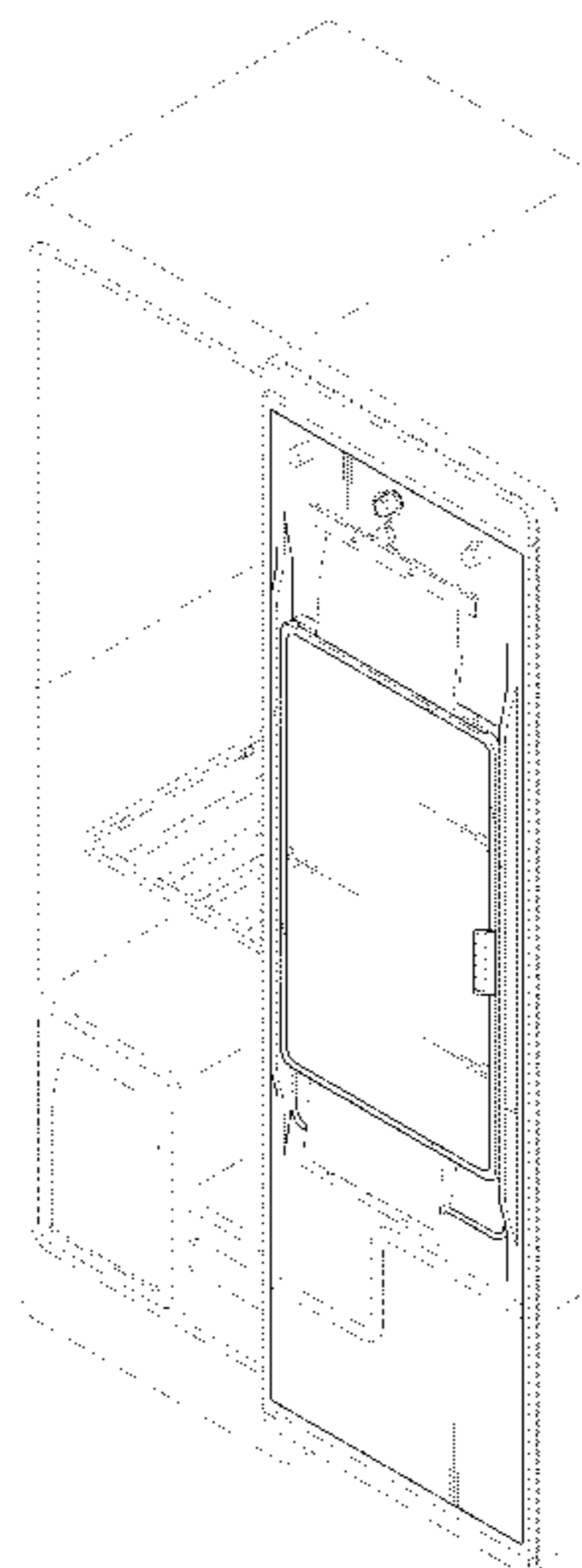
FIG. 1 is a perspective view of a door for clothes management apparatus showing our new design;  
FIG. 2 is a front view thereof;  
FIG. 3 is a rear view thereof;  
FIG. 4 is a left side view thereof;  
FIG. 5 is a right side view thereof;  
FIG. 6 is a top plan view thereof;  
FIG. 7 is a bottom plan view thereof;  
FIG. 8 is a perspective view showing the design in use;  
FIG. 9 is a perspective view thereof showing the state in which the pants press has been opened;  
FIG. 10 is a front view of FIG. 9;  
FIG. 11 is a left side view of FIG. 9;  
FIG. 12 is a right side view of FIG. 9;  
FIG. 13 is at top plan view of FIG. 9; and,  
FIG. 14 is a bottom plan view of FIG. 9.  
The broken lines are for illustrative purposes only and form no part of the claimed design.

(56) **References Cited**

**U.S. PATENT DOCUMENTS**

D197,085 S \* 12/1963 Bequette ..... D32/8  
3,805,561 A \* 4/1974 Bullock ..... 68/5 C  
4,845,868 A \* 7/1989 Tierney et al. .... 38/71  
D324,965 S \* 3/1992 Nelsen ..... D6/663  
5,094,020 A \* 3/1992 Wingfield et al. .... 38/1 A  
5,299,372 A \* 4/1994 Kelly et al. .... 38/36

**1 Claim, 12 Drawing Sheets**



(56)

**References Cited**

U.S. PATENT DOCUMENTS

D431,394 S \* 10/2000 Ciavarella et al. .... D6/703.2  
 6,189,346 B1 \* 2/2001 Chen et al. .... 68/5 R  
 6,427,365 B2 \* 8/2002 MacGregor et al. .... 38/1 A  
 D476,782 S \* 7/2003 Huddleston ..... D32/6  
 D516,834 S \* 3/2006 Masseth, Jr. .... D6/663  
 D532,563 S \* 11/2006 Kim et al. .... D32/6  
 7,235,109 B2 \* 6/2007 Kleker ..... 8/149.3  
 D601,317 S \* 9/2009 Reiner ..... D32/25  
 D610,759 S \* 2/2010 Wai ..... D32/25  
 D622,456 S \* 8/2010 Kim et al. .... D32/8  
 D638,592 S \* 5/2011 Suh ..... D32/8  
 D640,430 S \* 6/2011 Jee ..... D32/6  
 D643,165 S \* 8/2011 Song et al. .... D32/8  
 8,037,626 B2 \* 10/2011 Moon et al. .... 38/14  
 8,061,066 B2 \* 11/2011 Hong et al. .... 38/14  
 8,151,495 B2 \* 4/2012 Kim et al. .... 38/14

D659,917 S \* 5/2012 Jeon et al. .... D32/10  
 D663,495 S \* 7/2012 Song et al. .... D32/8  
 8,215,133 B2 \* 7/2012 Kim et al. .... 68/5 C  
 8,296,967 B2 \* 10/2012 Kim et al. .... 34/164  
 8,424,141 B2 \* 4/2013 Yoo et al. .... 8/149.3  
 8,484,868 B2 \* 7/2013 Kim et al. .... 38/14  
 8,505,340 B2 \* 8/2013 Kim et al. .... 68/5 C  
 2001/0037590 A1 \* 11/2001 MacGregor et al. .... 38/3  
 2004/0134087 A1 \* 7/2004 Meyer ..... 34/90  
 2005/0223502 A1 \* 10/2005 Kleker ..... 8/158  
 2008/0136295 A1 \* 6/2008 Aizpuru Borda et al. .... 312/31  
 2010/0018072 A1 \* 1/2010 Kim et al. .... 34/86  
 2010/0058813 A1 \* 3/2010 Moon et al. .... 68/6  
 2012/0240425 A1 \* 9/2012 Park et al. .... 34/202

OTHER PUBLICATIONS

LG Tromm Styler, dated Jan. 2011. [www.thecoolgadgets.com](http://www.thecoolgadgets.com).\*

\* cited by examiner

FIG. 1

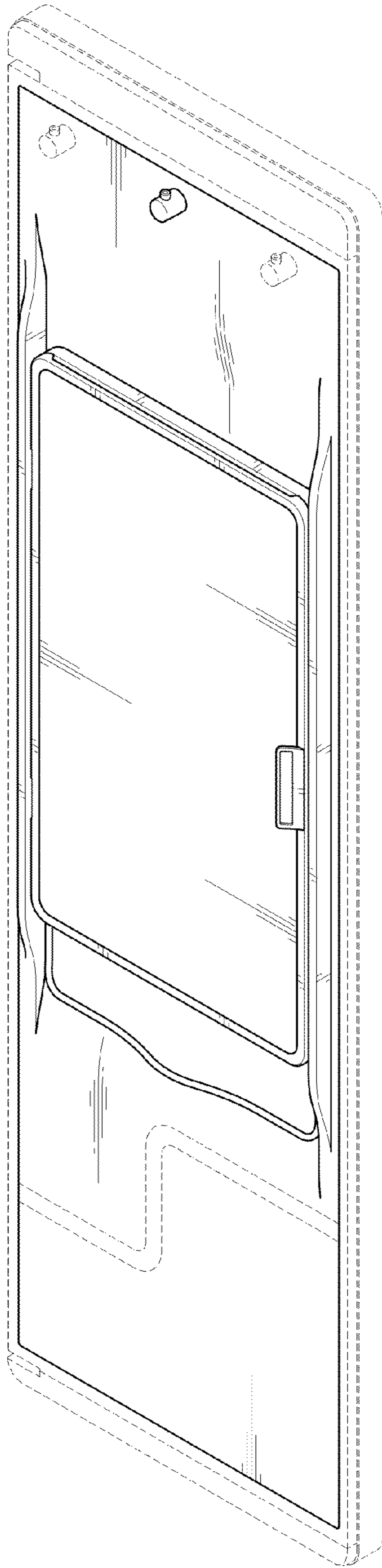


FIG. 2

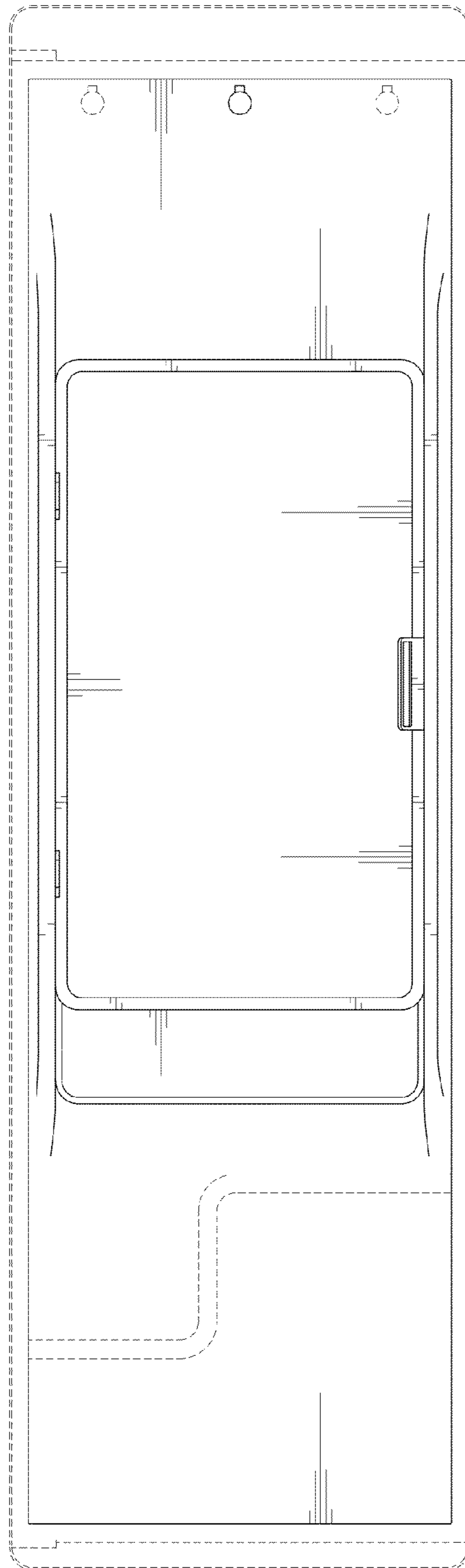


FIG. 3

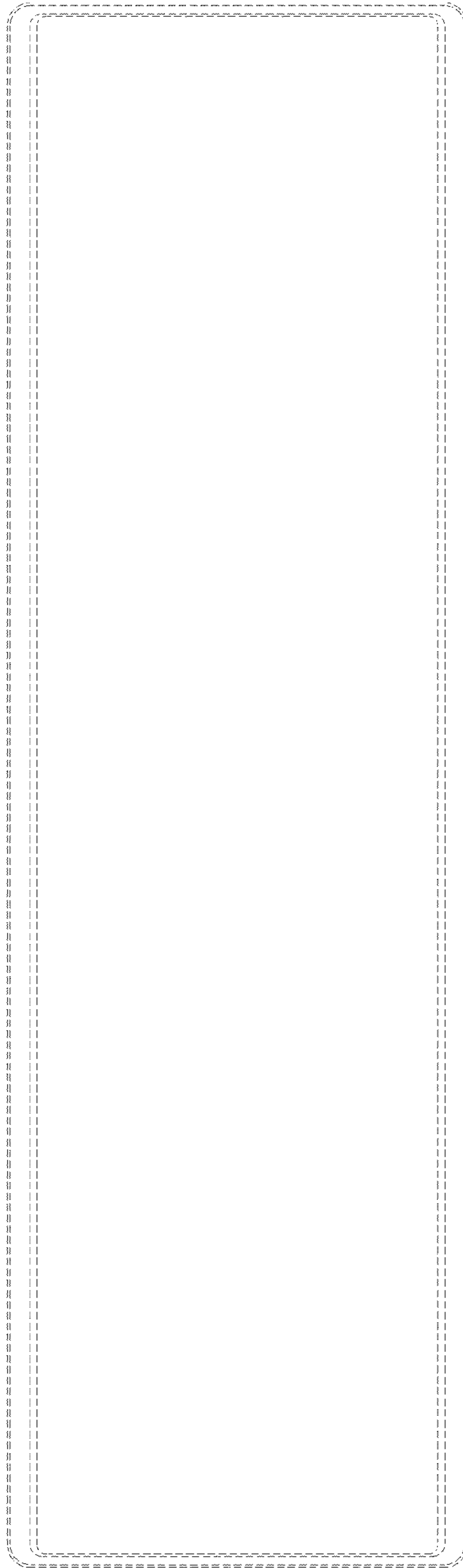


FIG. 4



FIG. 5

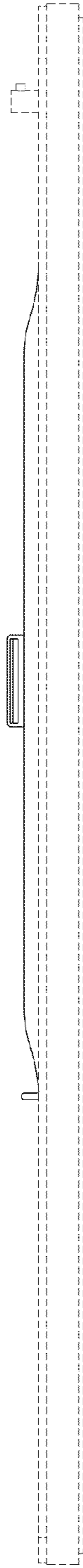


FIG. 6

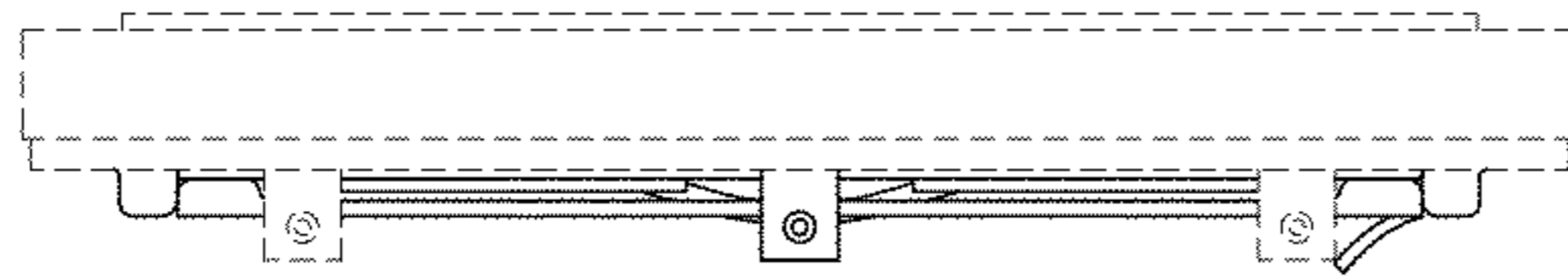


FIG. 7

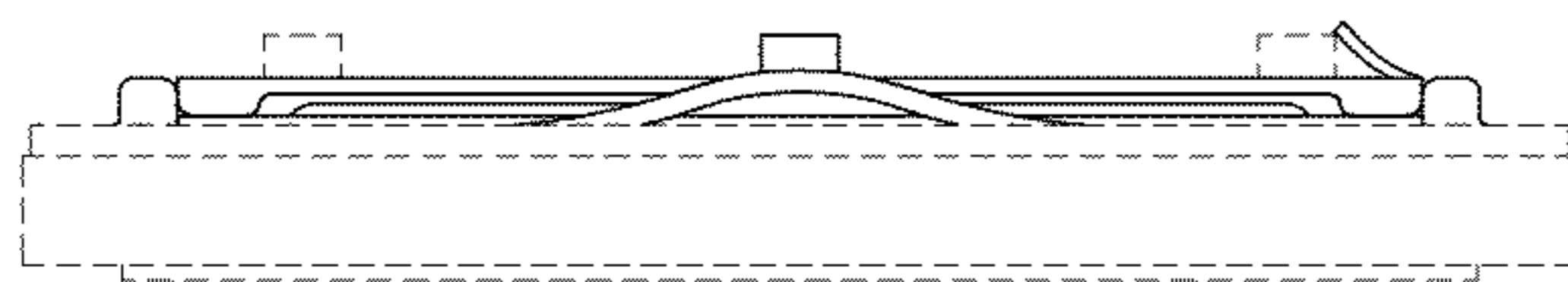




FIG. 8

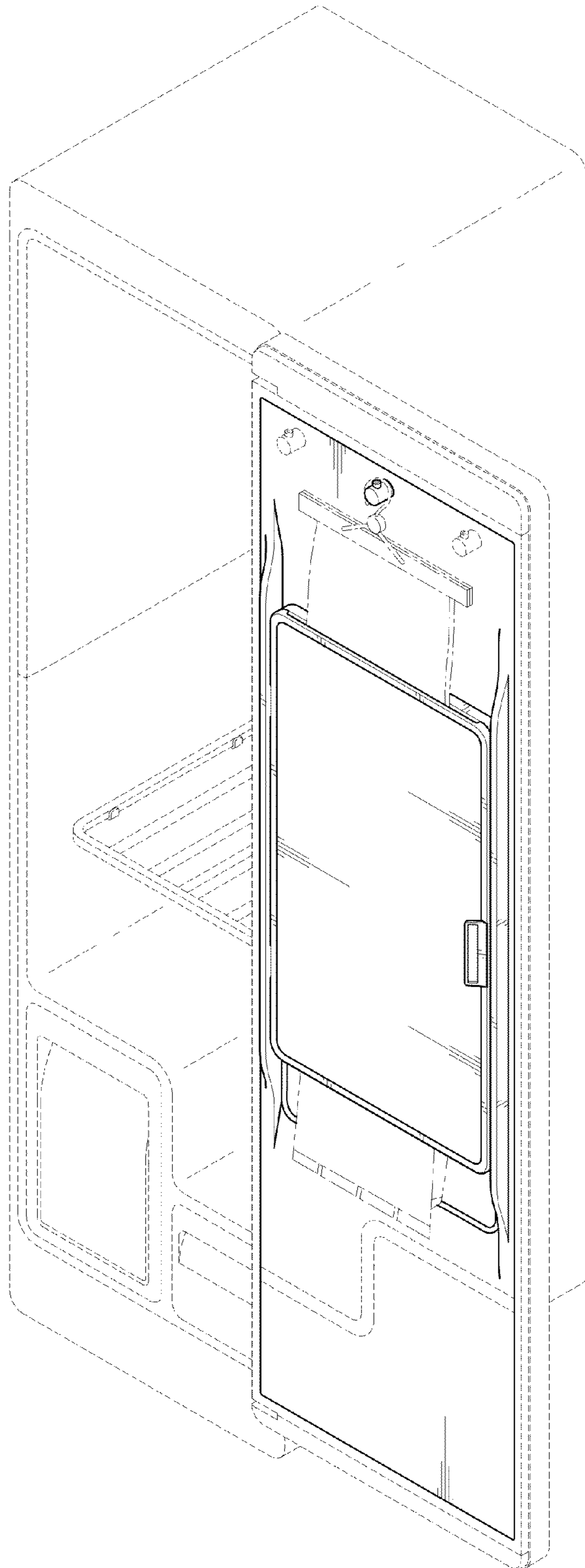


FIG. 9

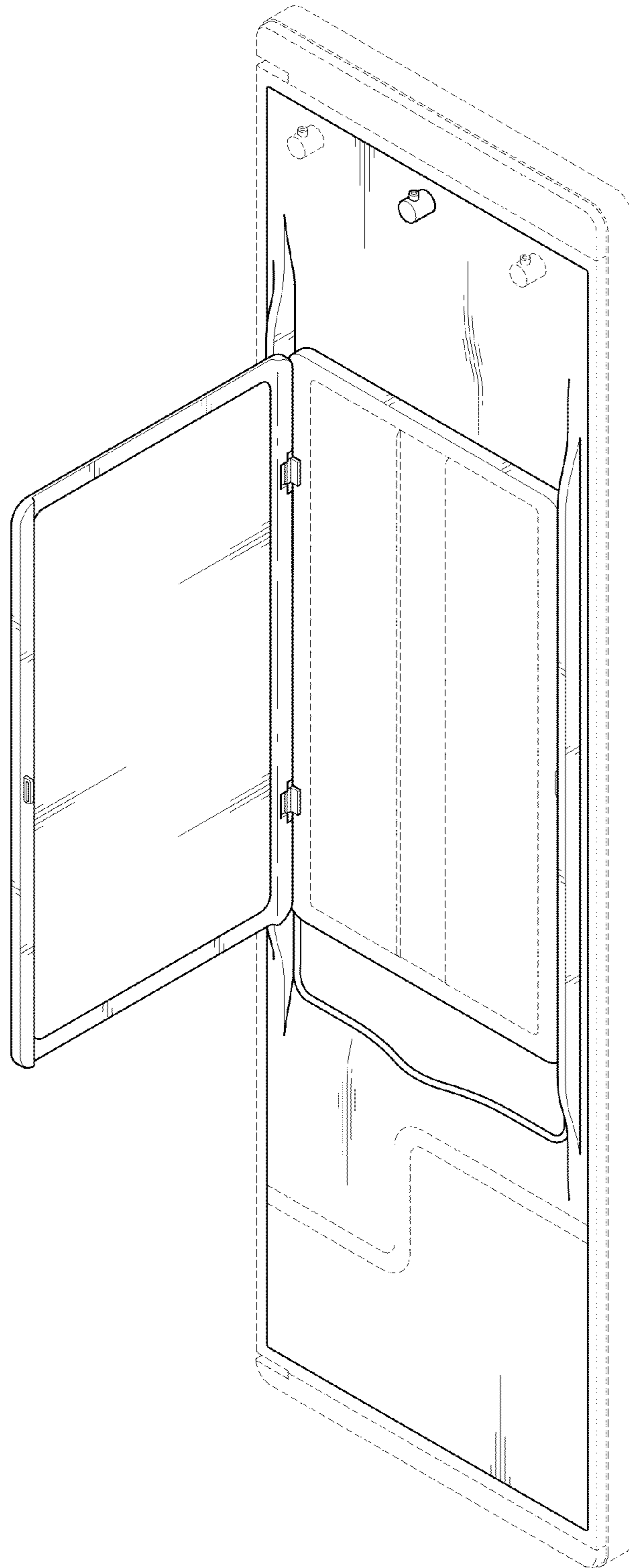


FIG. 10

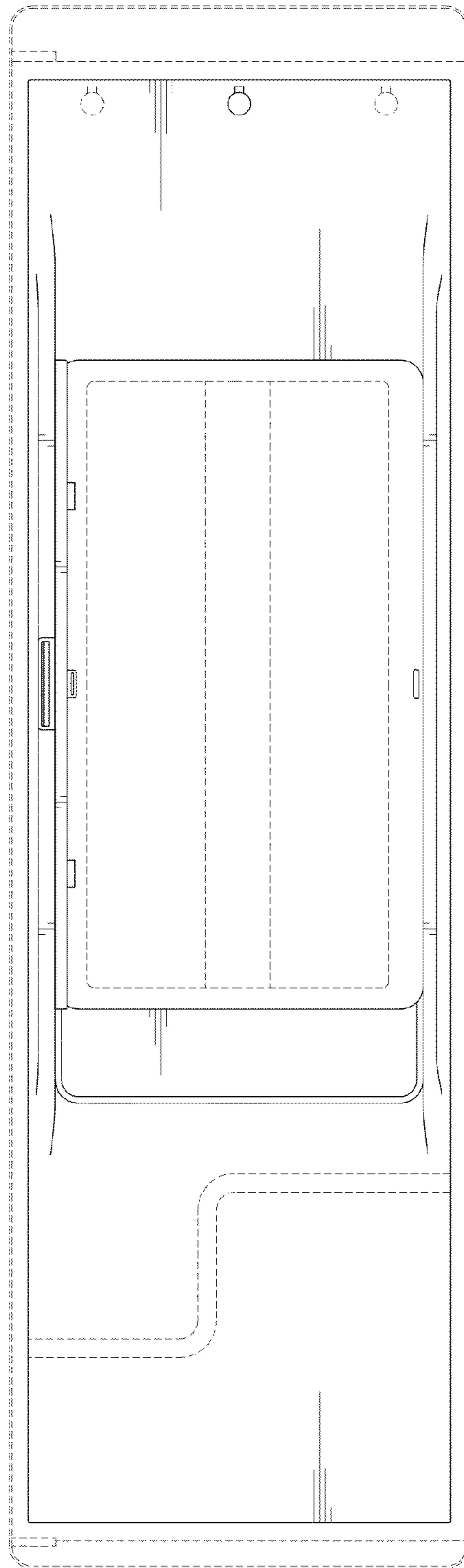


FIG. 11

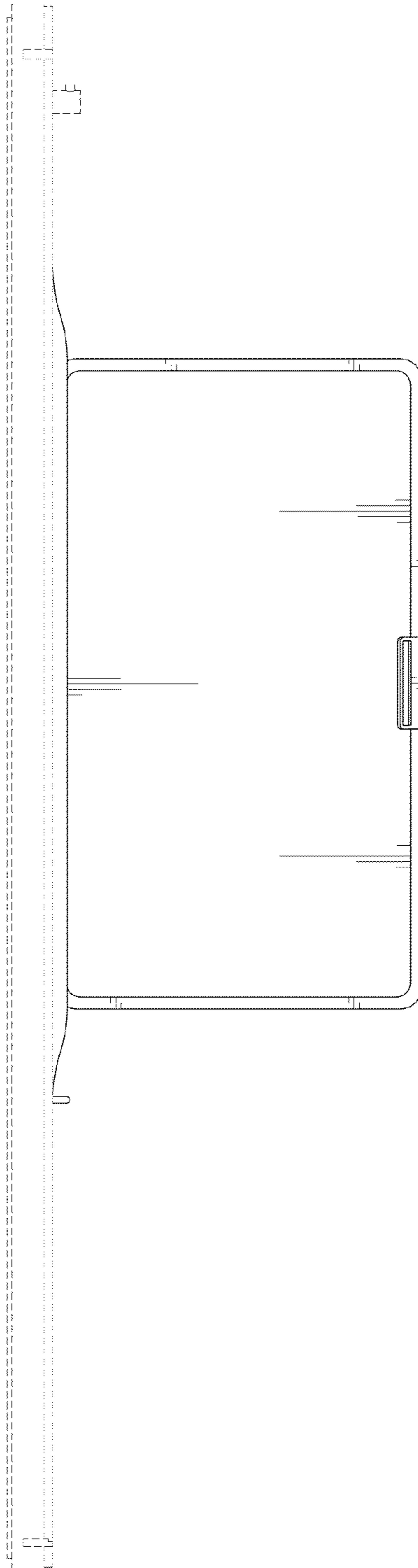


FIG. 12

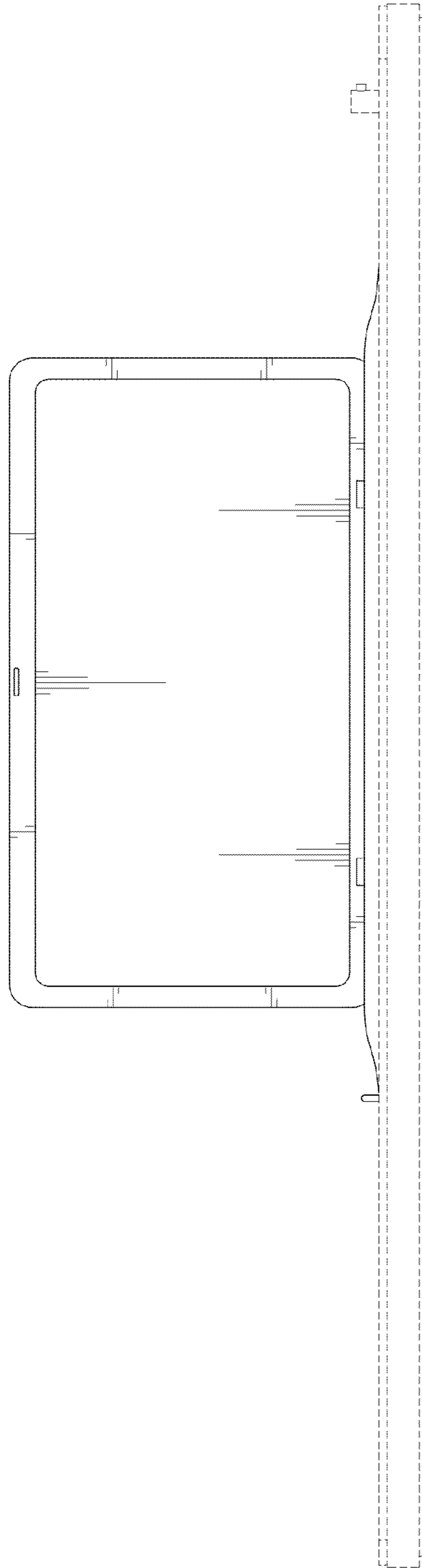


FIG. 13

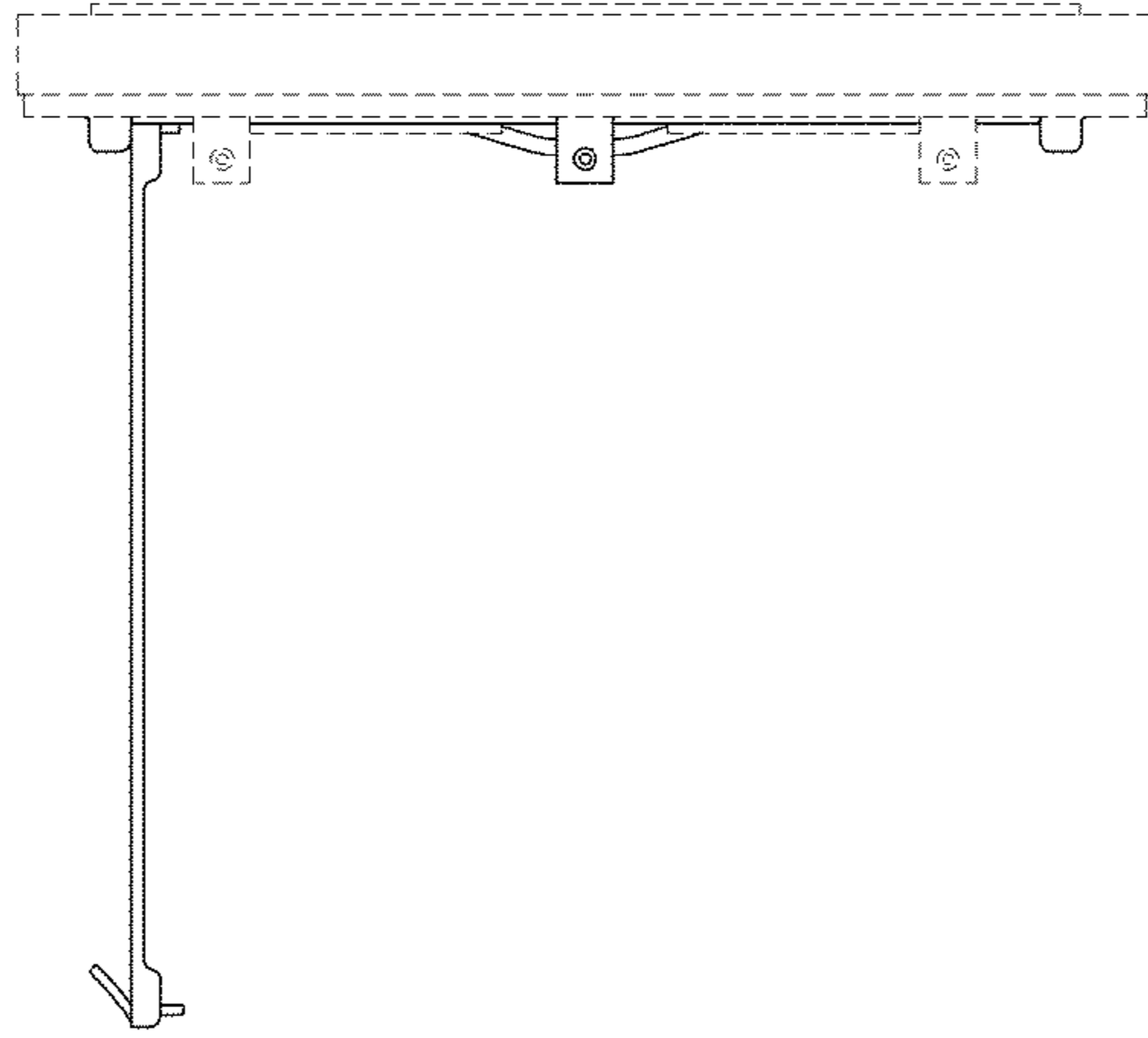


FIG. 14

