



US00D732769S

(12) **United States Design Patent**
Chung et al.

(10) **Patent No.:** **US D732,769 S**
(45) **Date of Patent:** **** Jun. 23, 2015**

(54) **DOOR FOR CLOTHES MANAGEMENT APPARATUS**

5,305,484 A * 4/1994 Fitzpatrick et al. 8/149.3
5,815,961 A * 10/1998 Estes et al. 38/14
6,018,885 A * 2/2000 Hill 34/202
D427,454 S * 7/2000 Munch et al. D6/663

(71) Applicant: **LG Electronics Inc.**, Seoul (KR)

(Continued)

(72) Inventors: **Wookjun Chung**, Seoul (KR);
Jaemyung Lim, Seoul (KR);
Byeongkook Kim, Seoul (KR); **Junghoi Choi**, Seoul (KR)

OTHER PUBLICATIONS

LG clothing management cabinet, dated Jan. 7, 2013. www.lgnewsroom.com/ces2013.*

(73) Assignee: **LG Electronics Inc.**, Seoul (JP)

(Continued)

(**) Term: **14 Years**

Primary Examiner — Sandra Morris

(21) Appl. No.: **29/484,099**

(74) *Attorney, Agent, or Firm* — Morgan, Lewis & Bockius LLP

(22) Filed: **Mar. 6, 2014**

(57) **CLAIM**

(30) **Foreign Application Priority Data**

The ornamental design for a door for clothes management apparatus, as shown and described.

Sep. 11, 2013 (KR) 30-2013-0046955

DESCRIPTION

(51) **LOC (10) Cl.** **15-05**

(52) **U.S. Cl.**
USPC **D32/25**

(58) **Field of Classification Search**
USPC D3/319, 328; D6/556, 559-561, 660,
D6/662, 662.1, 663, 703, 703.2; D25/33,
D25/48.3, 121-122, 125, 138; D32/1, 6, 8,
D32/10, 25; 68/3 R, 5 R, 5 C; 312/326
CPC D06F 58/10; D06F 58/20; F25D 23/02;
E05Y 2900/20; E05Y 2900/30
See application file for complete search history.

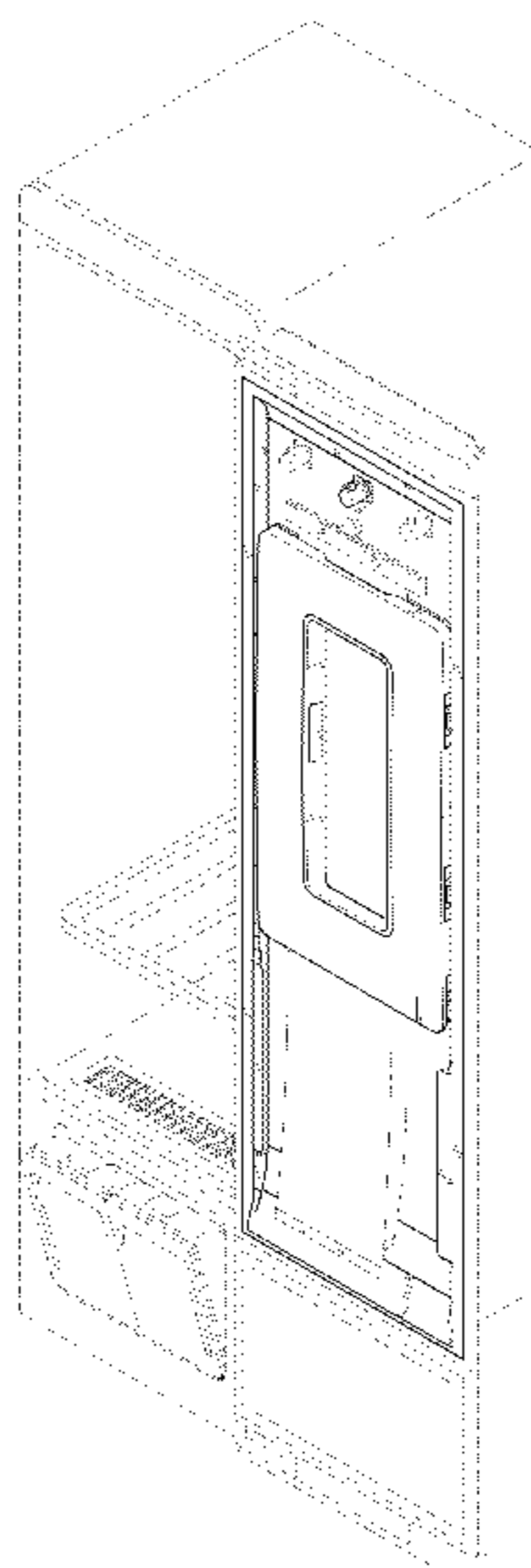
FIG. 1 is a perspective view of a door for clothes management apparatus showing our new design;
FIG. 2 is a front view thereof;
FIG. 3 is a rear view thereof;
FIG. 4 is a left side view thereof;
FIG. 5 is a right side view thereof;
FIG. 6 is a top plan view thereof;
FIG. 7 is a bottom plan view thereof;
FIG. 8 is a perspective view showing the design in use;
FIG. 9 is a perspective view thereof showing the state in which the pants press has been opened;
FIG. 10 is a front view of FIG. 9;
FIG. 11 is a left side view of FIG. 9;
FIG. 12 is a right side view of FIG. 9;
FIG. 13 is a top plan view of FIG. 9; and,
FIG. 14 is a bottom plan view of FIG. 9.
The broken lines are for illustrative purposes only and form no part of the claimed design.

(56) **References Cited**

U.S. PATENT DOCUMENTS

D197,085 S * 12/1963 Bequette D32/8
3,805,561 A * 4/1974 Bullock 68/5 C
4,845,868 A * 7/1989 Tierney et al. 38/71
D324,965 S * 3/1992 Nelsen D6/663
5,094,020 A * 3/1992 Wingfield et al. 38/1 A
5,299,372 A * 4/1994 Kelly et al. 38/36

1 Claim, 12 Drawing Sheets



(56)

References Cited

U.S. PATENT DOCUMENTS

D431,394 S * 10/2000 Ciavarella et al. D6/703.2
 6,189,346 B1 * 2/2001 Chen et al. 68/5 R
 6,427,365 B2 * 8/2002 MacGregor et al. 38/1 A
 D476,782 S * 7/2003 Huddleston D32/6
 D516,834 S * 3/2006 Masseth, Jr. D6/663
 D532,563 S * 11/2006 Kim et al. D32/6
 7,235,109 B2 * 6/2007 Kleker 8/149.3
 D601,317 S * 9/2009 Reiner D32/25
 D610,759 S * 2/2010 Wai D32/25
 D622,456 S * 8/2010 Kim et al. D32/8
 D638,592 S * 5/2011 Suh D32/8
 D640,430 S * 6/2011 Jee D32/6
 D643,165 S * 8/2011 Song et al. D32/8
 8,037,626 B2 * 10/2011 Moon et al. 38/14
 8,061,066 B2 * 11/2011 Hong et al. 38/14
 8,151,495 B2 * 4/2012 Kim et al. 38/14

D659,917 S * 5/2012 Jeon et al. D32/10
 D663,495 S * 7/2012 Song et al. D32/8
 8,215,133 B2 * 7/2012 Kim et al. 68/5 C
 8,296,967 B2 * 10/2012 Kim et al. 34/164
 8,424,141 B2 * 4/2013 Yoo et al. 8/149.3
 8,484,868 B2 * 7/2013 Kim et al. 38/14
 8,505,340 B2 * 8/2013 Kim et al. 68/5 C
 2001/0037590 A1 * 11/2001 MacGregor et al. 38/3
 2004/0134087 A1 * 7/2004 Meyer 34/90
 2005/0223502 A1 * 10/2005 Kleker 8/158
 2008/0136295 A1 * 6/2008 Aizpuru Borda et al. 312/31
 2010/0018072 A1 * 1/2010 Kim et al. 34/86
 2010/0058813 A1 * 3/2010 Moon et al. 68/6
 2012/0240425 A1 * 9/2012 Park et al. 34/202

OTHER PUBLICATIONS

LG TROMM Styler, dated Jan. 2011. www.thecoolgadgets.com.*

* cited by examiner

FIG. 1

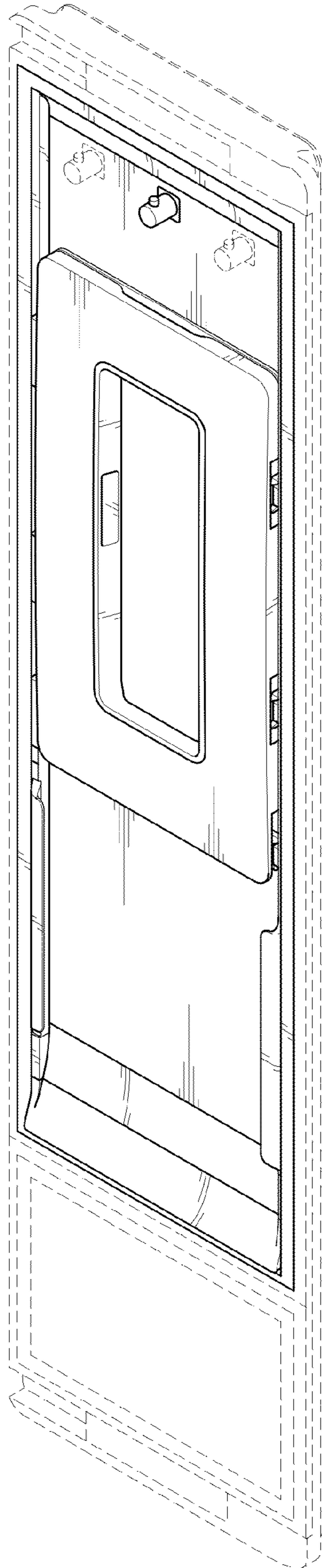


FIG. 2

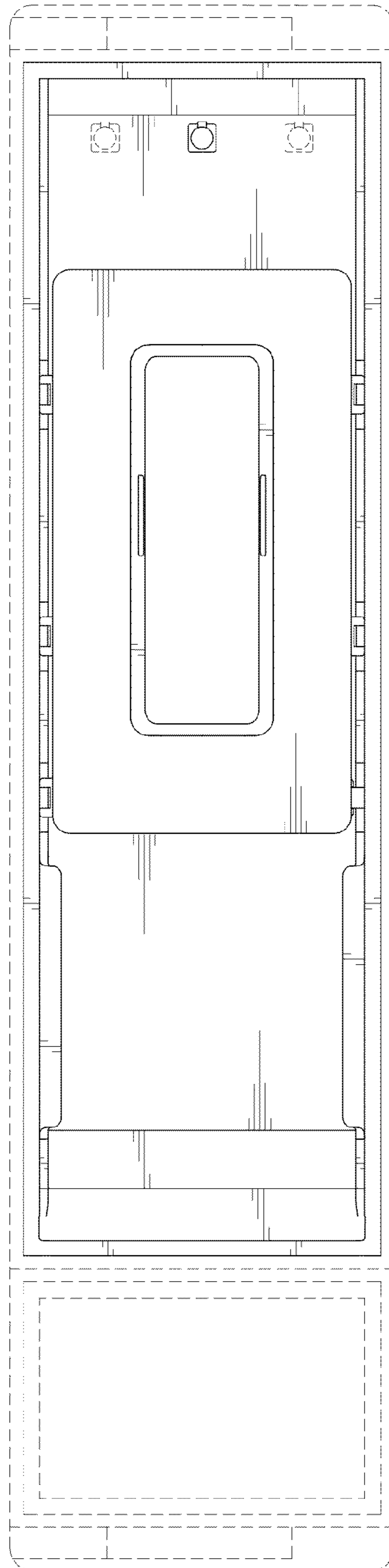


FIG. 3

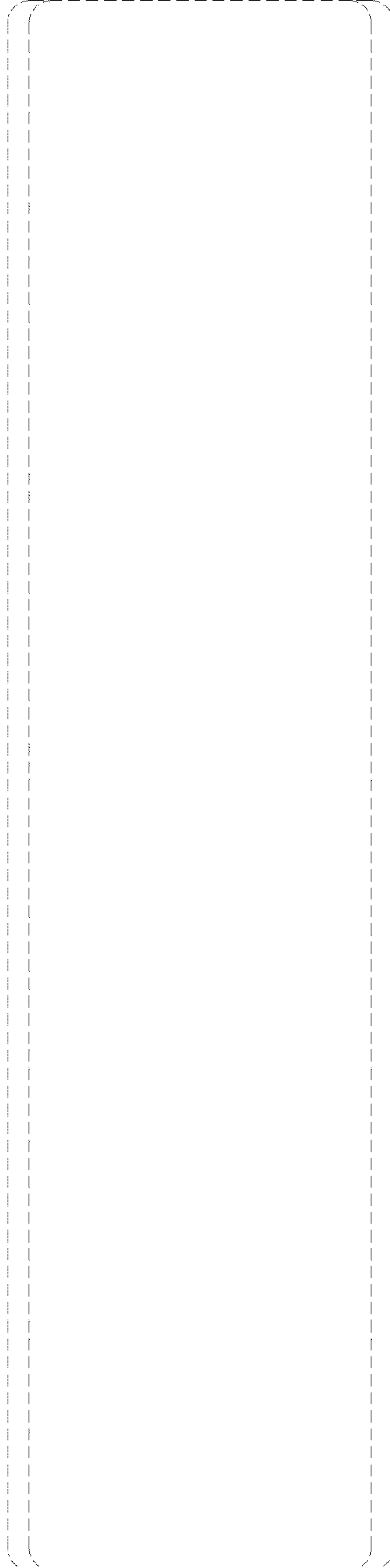


FIG. 4

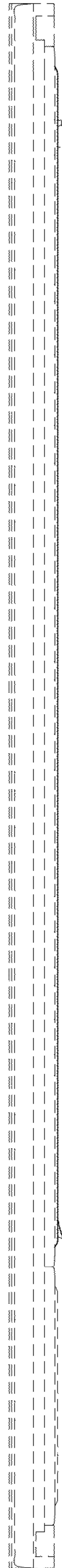


FIG. 5

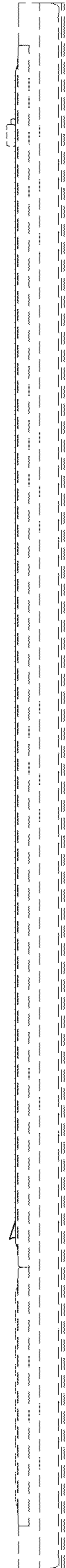


FIG. 6



FIG. 7

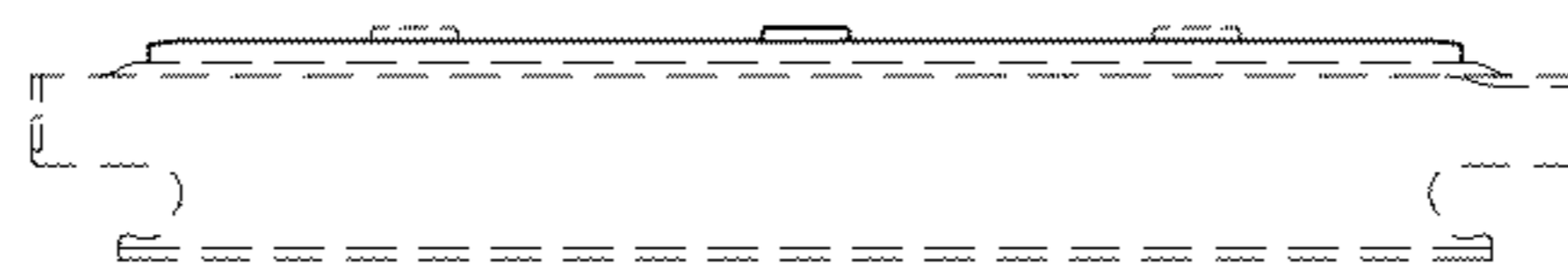


FIG. 8

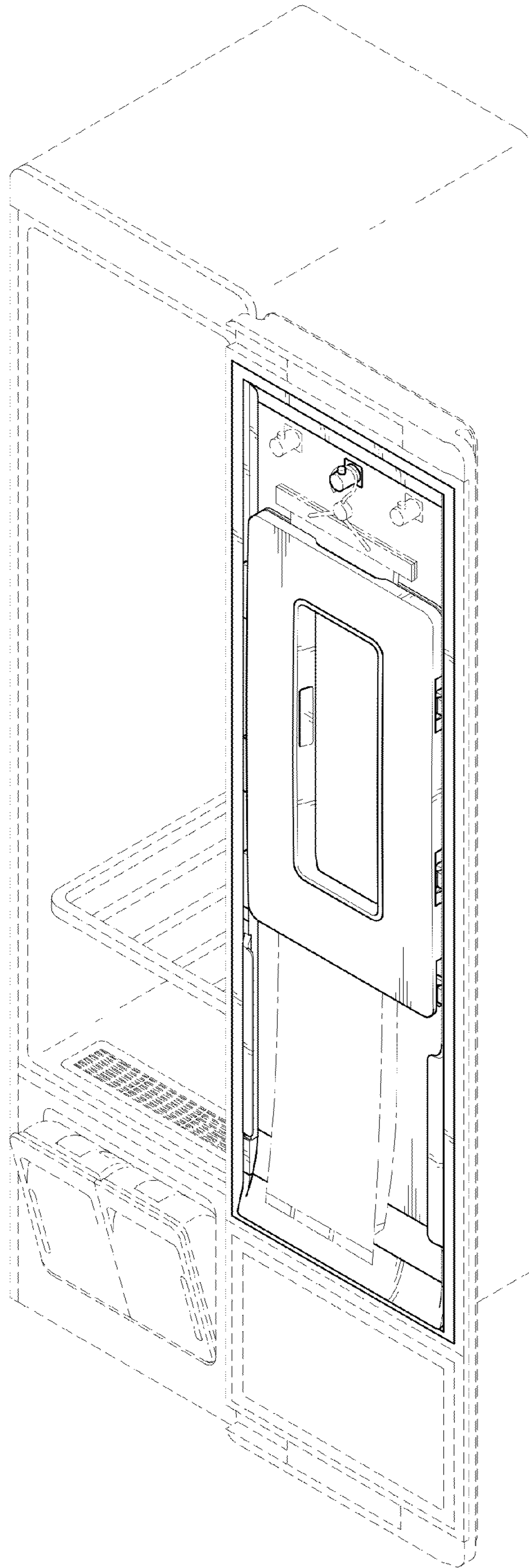


FIG. 9

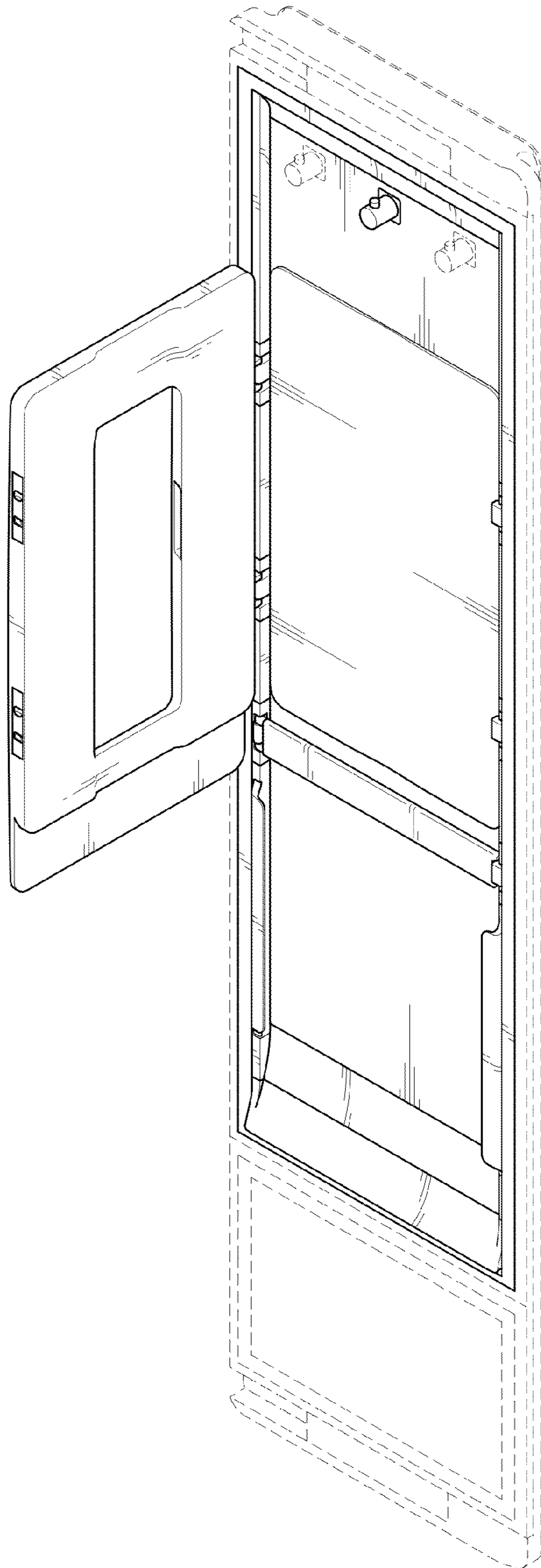


FIG. 10

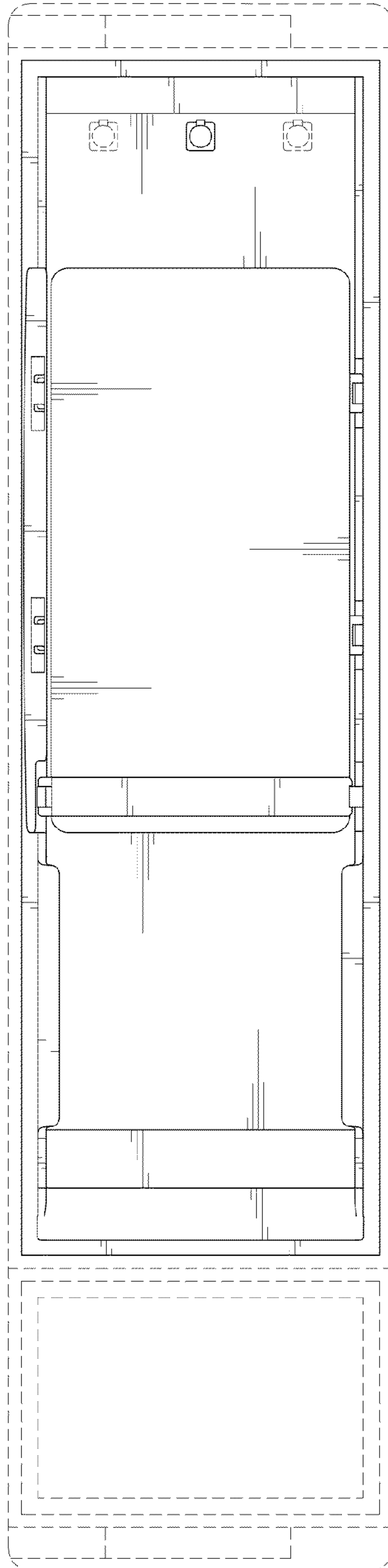


FIG. 11

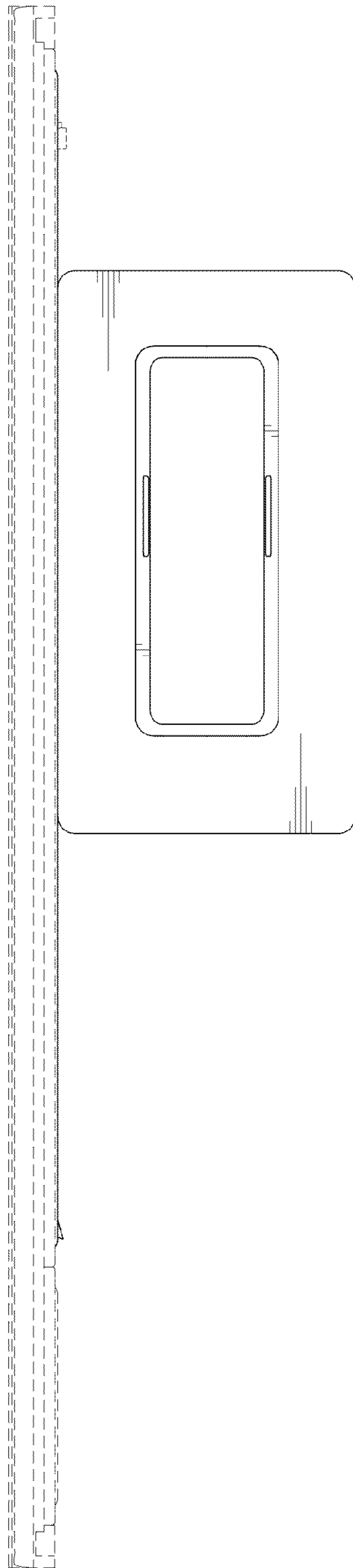


FIG. 12

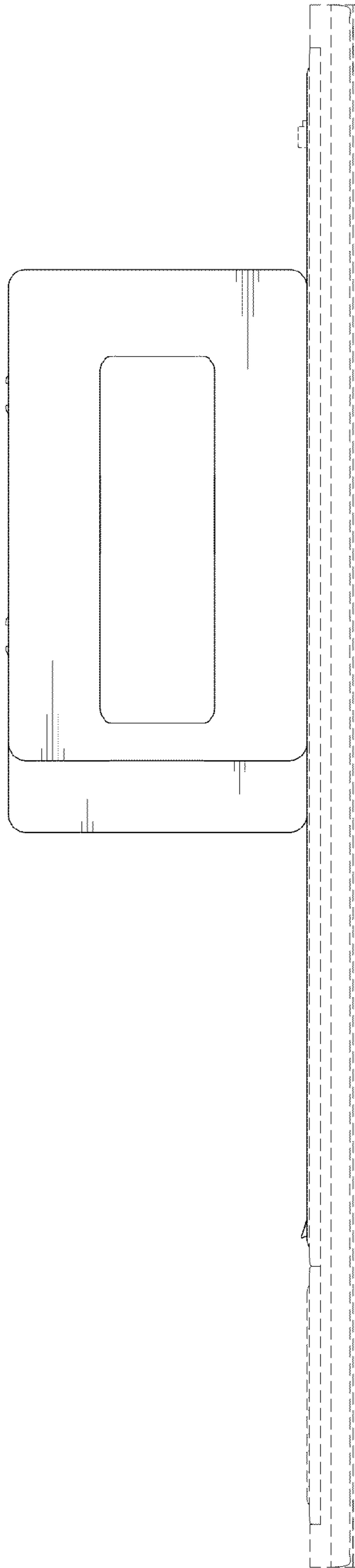


FIG. 13

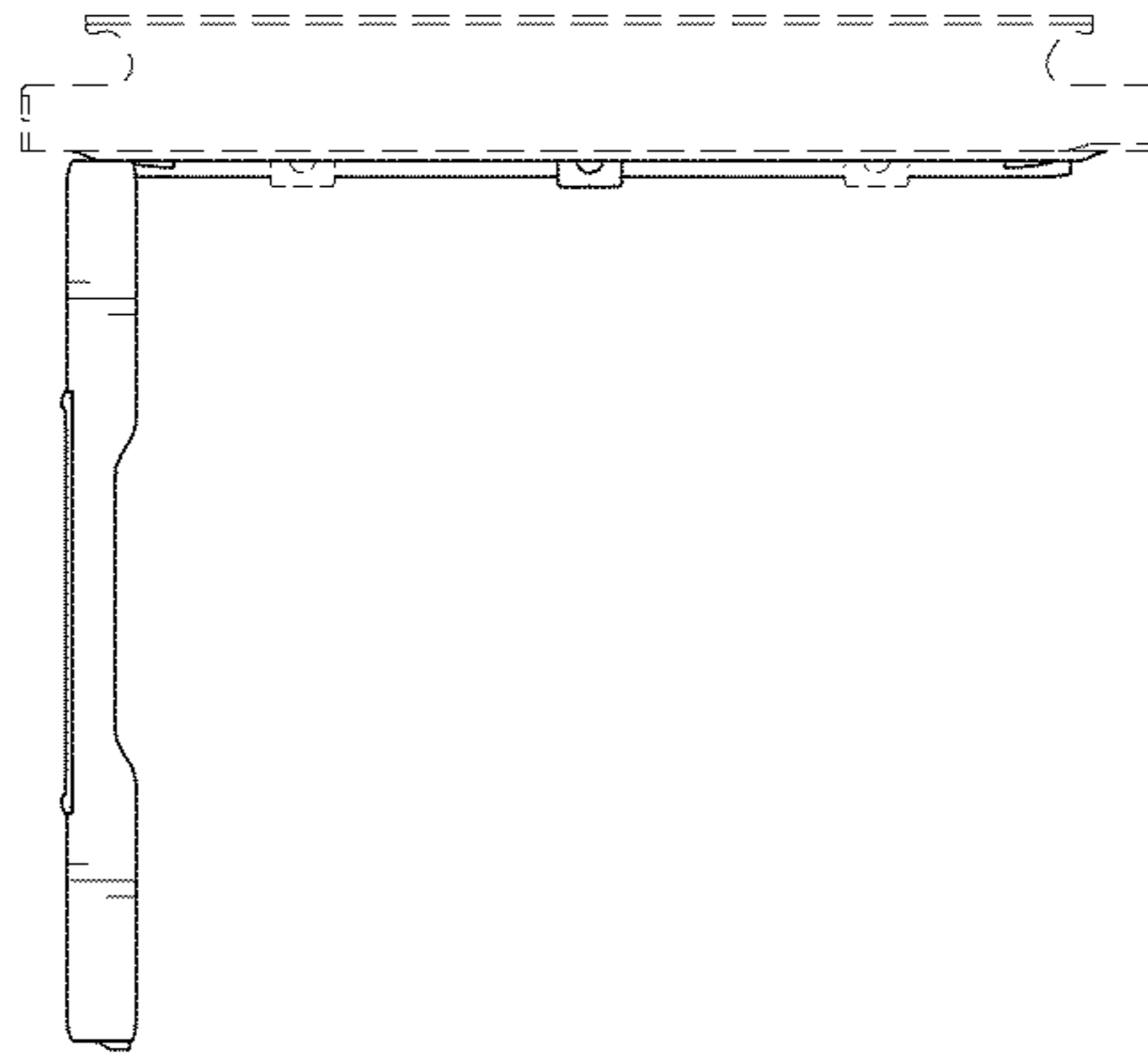


FIG. 14

