



US00D732768S

(12) **United States Design Patent**
Choi et al.

(10) **Patent No.:** **US D732,768 S**
(45) **Date of Patent:** **** Jun. 23, 2015**

(54) **WASHING MACHINE**

D501,966 S * 2/2005 Hwang D32/25
D524,001 S * 6/2006 Carey et al. D32/6
D549,894 S * 8/2007 Wilday D32/6

(71) Applicant: **Samsung Electronics Co., Ltd.**,
Suwon-si, Gyeonggi-do (KR)

(Continued)

(72) Inventors: **Hyoung-Sub Choi**, Seoul (KR);
Jung-Hoon Hwang, Yongin-si (KR);
Ki-Sang Yoon, Daejeon (KR); **Jae-Won Choi**, Seoul (KR); **Tae-Hyoung Cho**, Seoul (KR)

FOREIGN PATENT DOCUMENTS

CN 301611815 * 7/2011
KR 300399626-0000 * 11/2005

(Continued)

(73) Assignee: **SAMSUNG ELECTRONICS CO., LTD.** (KR)

OTHER PUBLICATIONS

Washing machine—Stock Vector © lindwa #9739658, pub date Mar. 28, 2012, online, <http://depositphotos.com/9739658/stock-illustration-washing-machine.html?sst=60&sqc=77&sqm=6665&sq=2urpxr>, [site visited Jan. 27, 2015 6:23:20 PM].*

(Continued)

(**) Term: **14 Years**

(21) Appl. No.: **29/469,306**

(22) Filed: **Oct. 9, 2013**

(30) **Foreign Application Priority Data**

Apr. 10, 2013 (KR) 30-2013-0018627

(51) **LOC (10) Cl.** **15-05**

(52) **U.S. Cl.**
USPC **D32/25**

(58) **Field of Classification Search**
USPC D32/1-3, 6, 25, 28, 29, 34; D23/226, D23/255, 271, 259-260, 268, 381; 312/109, 312/237 A; 134/56 R, 57 R, 57 D, 57 DL, 134/56 D, 58 R, 58 D, 58 DL, 25.2, 184; 68/3 R, 13 R, 27-28, 213-214, 232; D8/300-303, 315-317; D15/89, 79

See application file for complete search history.

(56) **References Cited**

U.S. PATENT DOCUMENTS

D178,004 S * 6/1956 Nadherny D32/6
D459,844 S * 7/2002 Baldwin et al. D32/6
D477,898 S * 7/2003 Geyer D32/6

Primary Examiner — Eric Goodman

Assistant Examiner — John R Yeh

(74) *Attorney, Agent, or Firm* — Cantor Colburn LLP

(57) **CLAIM**

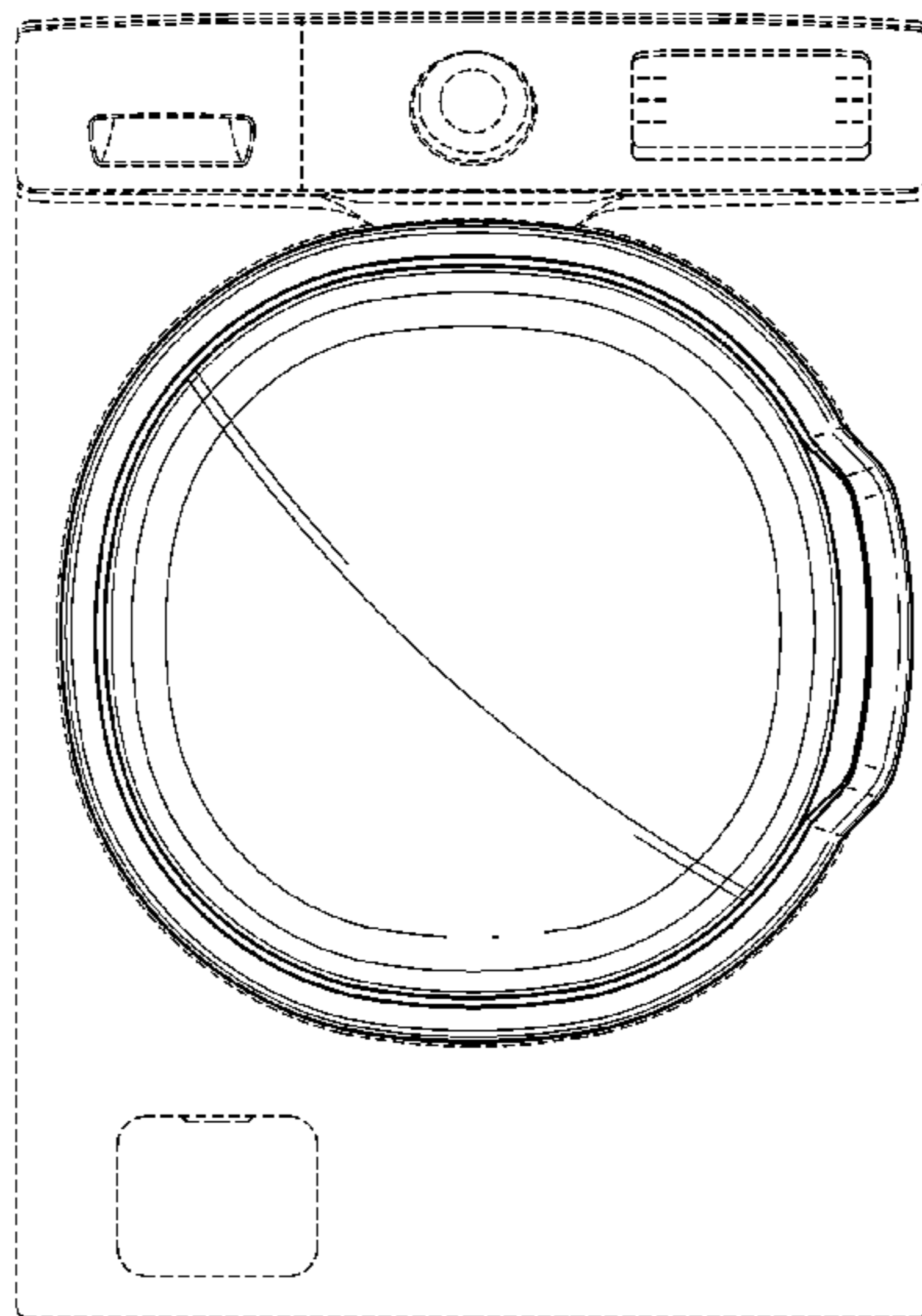
We claim the ornamental design for a washing machine, as shown and described.

DESCRIPTION

FIG. 1 is a perspective view of a washing machine, showing our new design in an exemplary embodiment; FIG. 2 is a front elevation view thereof; FIG. 3 is a rear elevation view thereof; FIG. 4 is a side elevation view thereof; FIG. 5 is a another side elevation view thereof; FIG. 6 is a top plan view thereof; and, FIG. 7 is a bottom plan view thereof.

The broken lines illustrating portions of the washing machine are for environmental purposes only and form no part of the claimed design.

1 Claim, 6 Drawing Sheets



(56)

References Cited

U.S. PATENT DOCUMENTS

D559,480	S	*	1/2008	Kwon et al.	D32/6
D562,507	S	*	2/2008	Kim	D32/6
D575,463	S	*	8/2008	Mao et al.	D32/6
D577,162	S	*	9/2008	Shail et al.	D32/6
D581,606	S	*	11/2008	Cho et al.	D32/6
D589,661	S	*	3/2009	Oh et al.	D32/6
D611,206	S	*	3/2010	Yalcin et al.	D32/6
D613,009	S	*	3/2010	DeSalvo et al.	D32/6
D618,866	S	*	6/2010	Lee	D32/6
D620,650	S	*	7/2010	Lee	D32/6
D625,476	S	*	10/2010	Lee et al.	D32/6
D625,889	S	*	10/2010	Lee et al.	D32/6
D626,300	S	*	10/2010	Lee et al.	D32/6
D635,727	S	*	4/2011	Jeon et al.	D32/6
D659,307	S	*	5/2012	Geyer et al.	D32/6

FOREIGN PATENT DOCUMENTS

KR	300525693-0000	*	4/2009
WO	WO D075960-001	*	5/2011

OTHER PUBLICATIONS

Closed washing machine. Vector—Stock Vector © Slashman #9679794, pub date Mar. 20, 2012, online, <http://depositphotos.com/9679794/stock-illustration-closed-washing-machine-vector.html?sst=0&sqc=45&sqm=6665&sq=2urpxr>, [site visited Jan. 27, 2015 6:14:31 PM].*

Closed washing machine—Stock Photo © maxxyustas #7300937, pub date Oct. 24, 2011, online, <http://depositphotos.com/7300937/stock-photo-closed-washing-machine.html?sst=0&sqc=34&sqm=6665&sq=2urpxr>, [site visited Jan. 27, 2015 6:06:09 PM].*

Laundry being done at home.—Stock Photo © piotr_marcinski #7859394, pub date Jan. 21, 2012, <http://depositphotos.com/7859394/stock-photo-laundry-being-done-at-home.html?sst=0&sqc=54&sqm=6665&sq=2urpxr>, [site visited Jan. 27, 2015 6:16:04 PM].*

Home appliances—Stock Photo © snehitdesign #7569935, pub Nov. 15, 2011, online, <http://depositphotos.com/7569935/stock-photo-home-appliances.html?sst=180&sqc=185&sqm=6665&sq=2urpxr>, [site visited Jan. 27, 2015 6:37:19 PM].*

* cited by examiner

FIG. 1

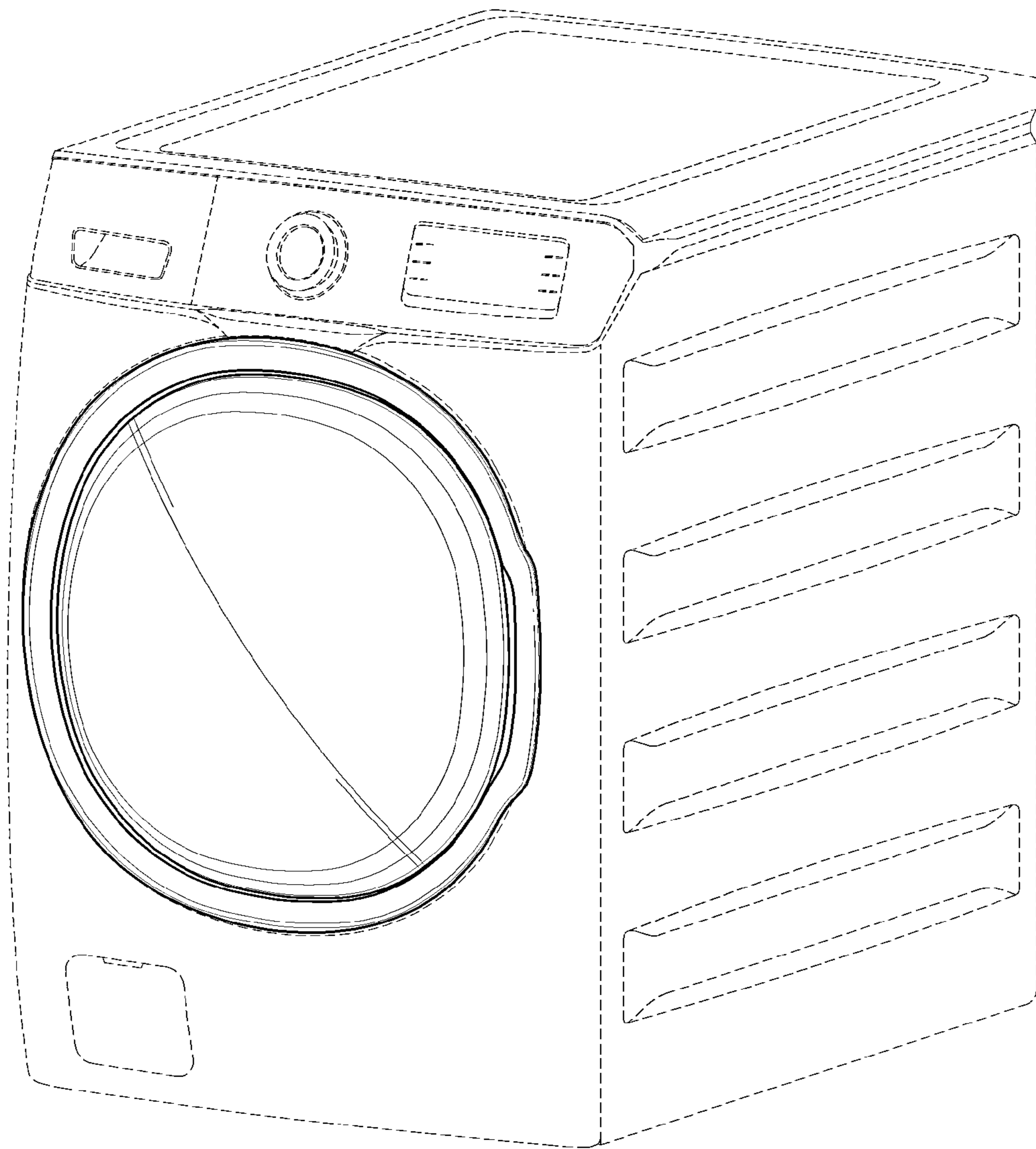


FIG. 2

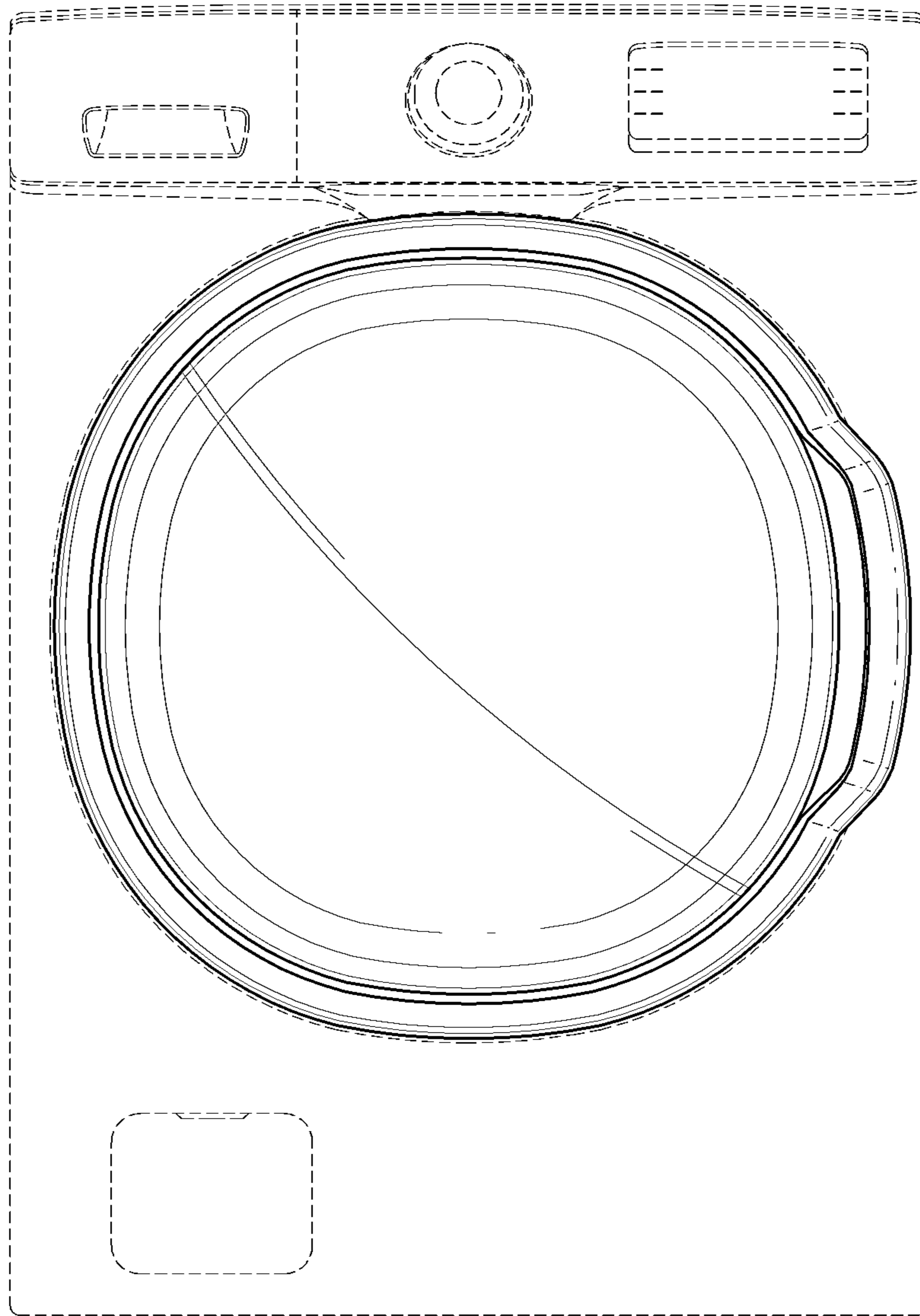


FIG. 3

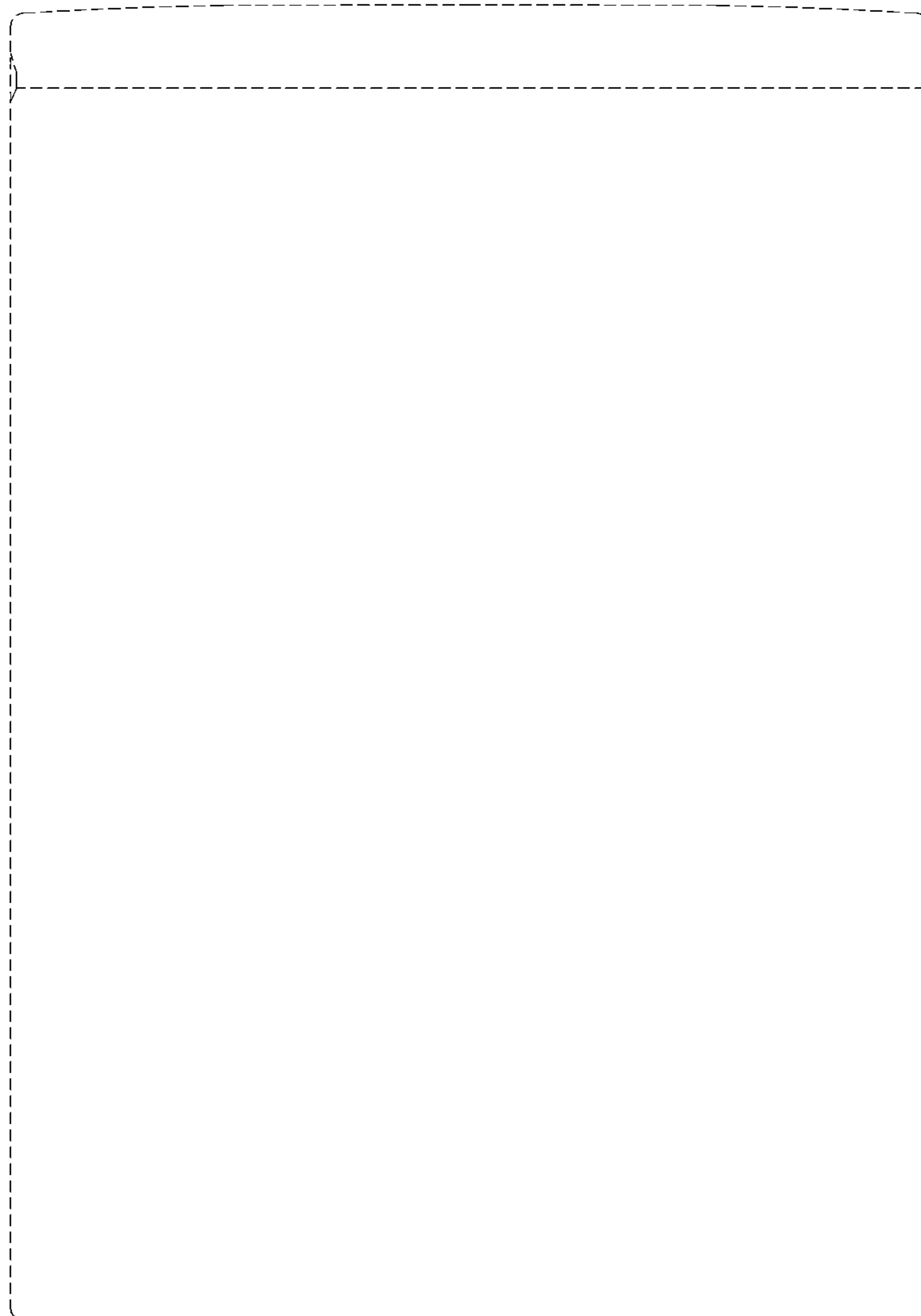


FIG. 4

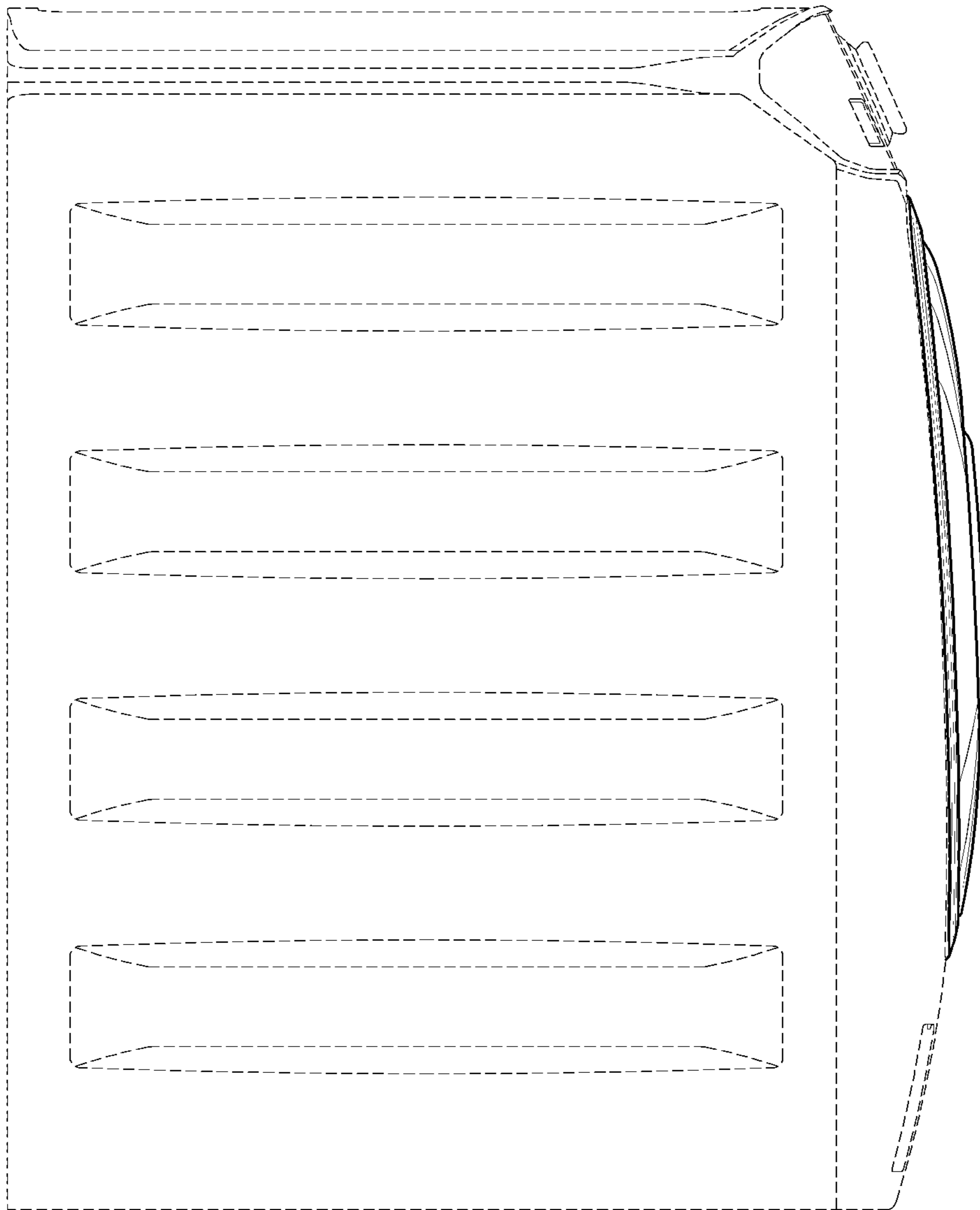


FIG. 5

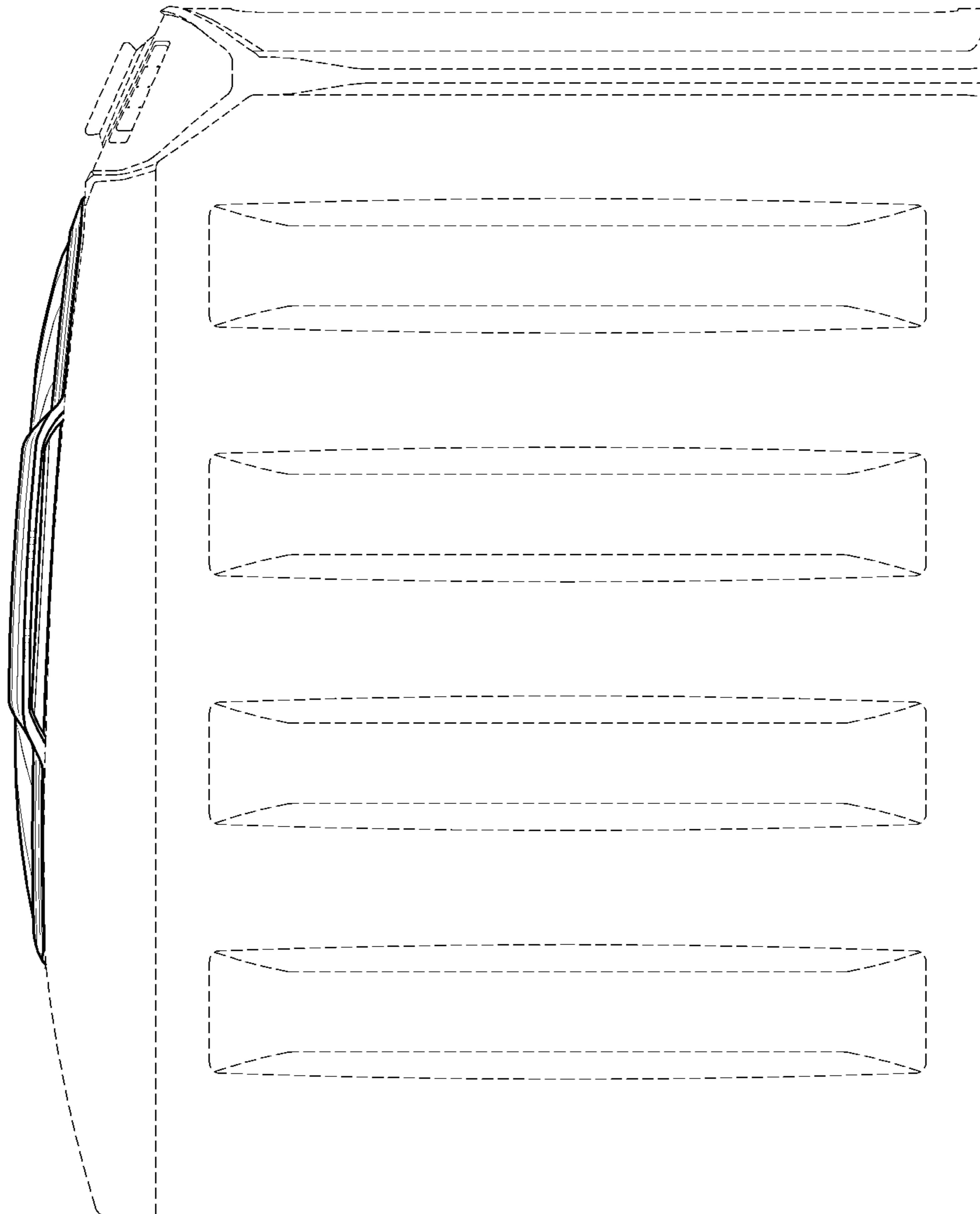


FIG. 6

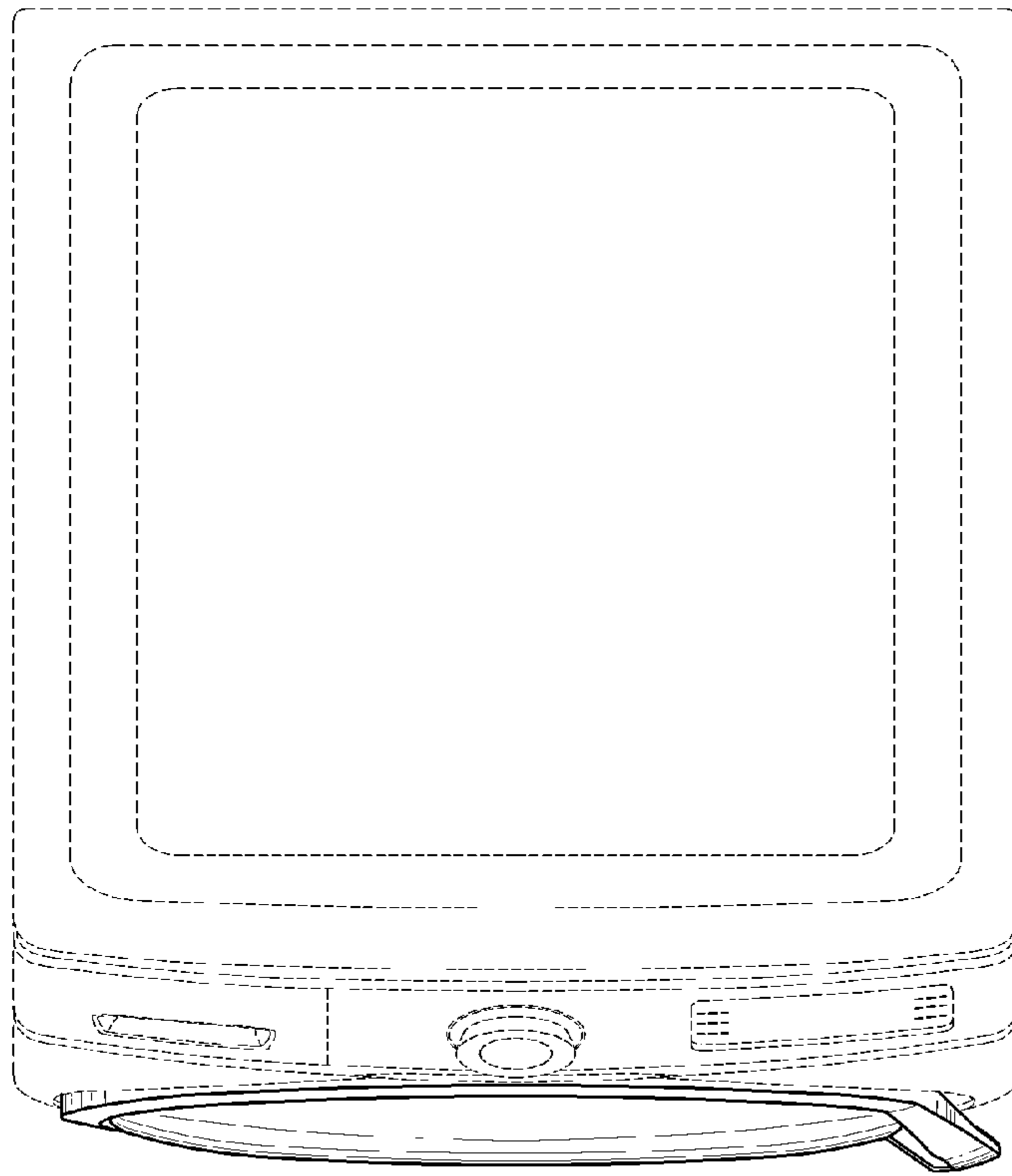


FIG. 7

