



US00D732767S

(12) **United States Design Patent**  
**Ha et al.**

(10) **Patent No.:** **US D732,767 S**  
(45) **Date of Patent:** **\*\* Jun. 23, 2015**

(54) **WASHING MACHINE**

D561,957 S \* 2/2008 Browne et al. .... D32/6  
D568,556 S \* 5/2008 Gruetzke et al. .... D32/6  
D570,059 S \* 5/2008 Jeon et al. .... D32/6

(71) Applicant: **LG Electronics Inc.**, Seoul (KR)

(Continued)

(72) Inventors: **Youngsoo Ha**, Seoul (KR); **Jeaseok Seong**, Gyeonggi-do (KR); **Kyungah Lee**, Gyeonggi-do (KR); **Jonghee Han**, Gyeonggi-do (KR)

FOREIGN PATENT DOCUMENTS

CN 3038426 \* 12/1995  
CN 3038428 \* 12/1995

(Continued)

(73) Assignee: **LG Electronics Inc.**, Seoul (KR)

OTHER PUBLICATIONS

(\*\*) Term: **14 Years**

Super Mom Smashes Washing Machine After Realizing Her Daughter is Inside, Announced Nov. 9, 2011, [Site Visited Jan. 15, 2015]http://www.mommyish.com/2011/11/09/mother-washing-machine-saves-daughter-603/.\*

(Continued)

(21) Appl. No.: **29/462,674**

(22) Filed: **Aug. 7, 2013**

(30) **Foreign Application Priority Data**

Feb. 7, 2013 (KR) ..... 30-2013-0006870

(51) **LOC (10) Cl.** ..... **15-05**

(52) **U.S. Cl.**  
USPC ..... **D32/25**

(58) **Field of Classification Search**  
USPC ..... D32/6, 8, 25, 5; 68/3 R, 5 R, 12.01, 68/12.08; 312/31; 34/55, 87-88, 524, 534  
See application file for complete search history.

*Primary Examiner* — John Windmuller

*Assistant Examiner* — Luqman McNeil

(74) *Attorney, Agent, or Firm* — Morgan, Lewis & Bockius LLP

(57) **CLAIM**

The ornamental design for a washing machine, as shown and described.

**DESCRIPTION**

FIG. 1 is a perspective view of a washing machine showing our new design;

FIG. 2 is a front view thereof;

FIG. 3 is a rear view thereof;

FIG. 4 is a left side view thereof;

FIG. 5 is a right side view thereof;

FIG. 6 is a top plan view thereof;

FIG. 7 is a bottom plan view thereof; and,

FIG. 8 is a perspective view thereof showing the state that the door of the washing machine is closed.

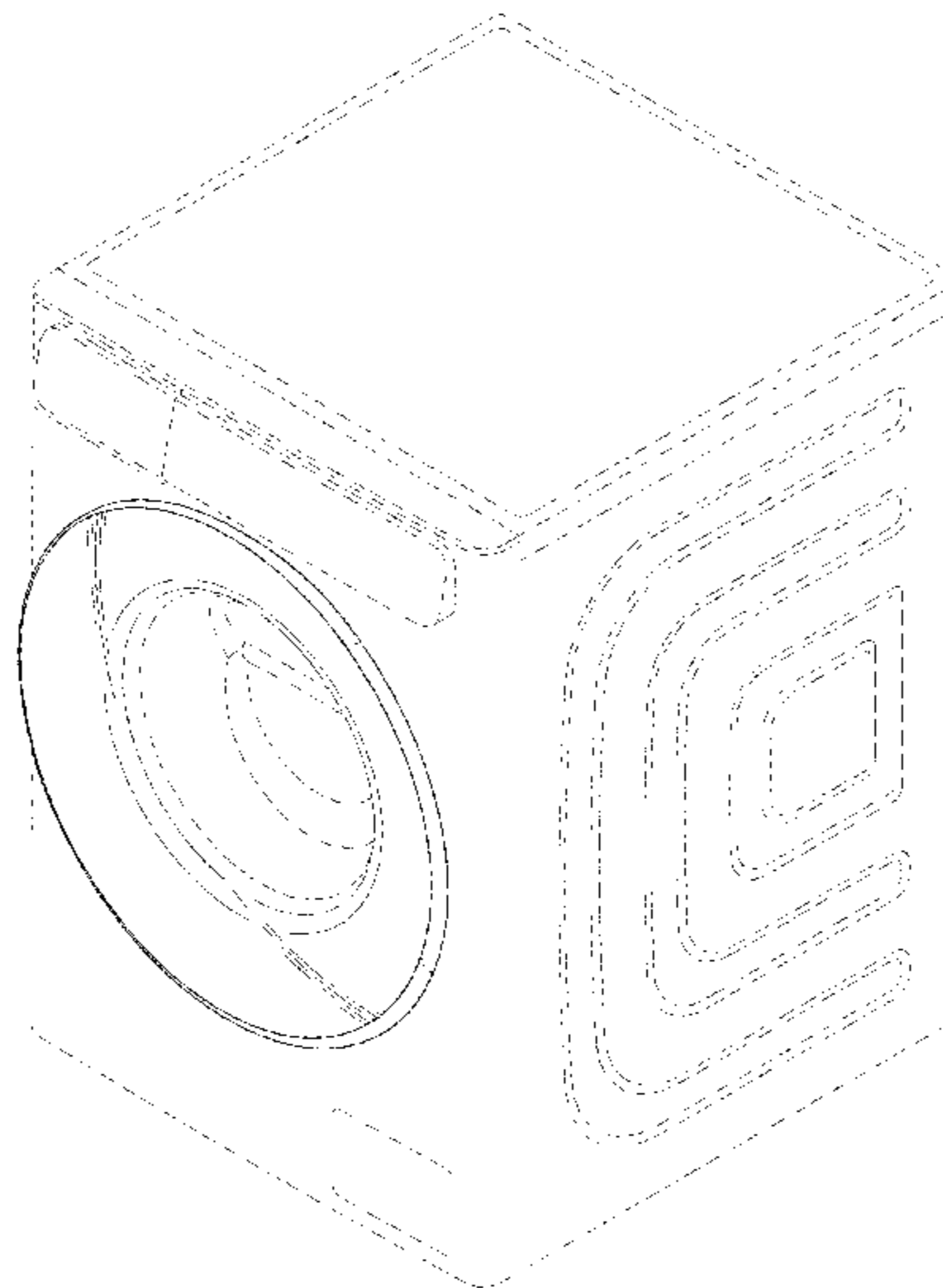
The broken lines are for illustrative purposes only and form no part of the claimed design.

(56) **References Cited**

U.S. PATENT DOCUMENTS

3,508,340 A \* 4/1970 Kombol ..... 34/553  
D456,572 S \* 4/2002 Resuello et al. .... D32/6  
D463,631 S \* 9/2002 Baldwin et al. .... D32/6  
D495,453 S \* 8/2004 Baldwin et al. .... D32/8  
D515,260 S \* 2/2006 Ha et al. .... D32/25  
D518,251 S \* 3/2006 Kwon et al. .... D32/6  
D518,608 S \* 4/2006 Kim et al. .... D32/6  
D524,001 S \* 6/2006 Carey et al. .... D32/6  
D542,987 S \* 5/2007 Crookshanks ..... D32/6  
D544,157 S \* 6/2007 Crookshanks ..... D32/25  
D549,900 S \* 8/2007 Kim et al. .... D32/6

**1 Claim, 8 Drawing Sheets**



(56)

References Cited

U.S. PATENT DOCUMENTS

D572,419 S \* 7/2008 Park et al. .... D32/6  
 D579,610 S \* 10/2008 Jeon et al. .... D32/6  
 D580,113 S \* 11/2008 Grutzke et al. .... D32/6  
 D589,661 S \* 3/2009 Oh et al. .... D32/6  
 D592,367 S \* 5/2009 Crookshanks ..... D32/25  
 D608,062 S \* 1/2010 Jeong et al. .... D32/6  
 D618,872 S \* 6/2010 Bixby et al. .... D32/25  
 D622,918 S \* 8/2010 Choi et al. .... D32/25  
 D631,621 S \* 1/2011 Lee et al. .... D32/6  
 D640,020 S \* 6/2011 Helot et al. .... D32/5  
 D642,752 S \* 8/2011 Kim ..... D32/6  
 D653,006 S \* 1/2012 Takahashi ..... D32/6

FOREIGN PATENT DOCUMENTS

CN 3334200 \* 11/2003  
 CN 300997794 \* 9/2009  
 KR 30-0348738 4/2004  
 KR 30-0348738 4/2005  
 KR 30-0424478 9/2006  
 KR 30-0449788 5/2007  
 KR 30-0458157 8/2007  
 KR 30-0494085 6/2008  
 KR 30-0507064 9/2008  
 KR 30-0507437 10/2008  
 KR 30-0521091 2/2009  
 KR 30-0521092 2/2009  
 KR 30-0525693 4/2009  
 KR 30-0531794 6/2009

KR 30-0531796 6/2009  
 KR 30-0531801 6/2009  
 KR 30-0578463 11/2010

OTHER PUBLICATIONS

AEG Protex—Wielded tub?, Announced Sep. 3, 2011, [Site Visited Jan. 15, 2015] <http://www.automaticwasher.org/cgi-bin/TD/TD-VIEWTHREAD.cgi?36229>.\*

Appliance Doctor NJ Washer and Dryer, Announced Jul. 1, 2015, [Site Visited Jan. 15, 2015] <http://appliancerepairprincetonj.info/washer-and-dryer-repair/>.\*

Samsun Washing Machine Price List, Announced Oct. 11, 2011, [Site Visited Jan. 15, 2015] <http://priceinfoworld.com/electronics/samsung-washing-machine-price-in-india>.\*

The Best Washing Machines, Announced Oct. 9, 2012, [site Visited Jan. 21, 2015], <http://www.independent.co.uk/property/interiors/the-10-best-washing-machines-8202808.html>.\*

Samsung WW80H7410EW Blue Crystal 8Kg 1400 Spin Washing Machine in White, Announced Mar. 24, 2013, [Site Visited Jan. 22, 2015] <http://www.coopelectricalshop.co.uk/Samsung-WW80H7410EW-Blue-Crystal-8Kg-1400-Spin-Washing-Machine-in-White/id-SAM-WSH-WW80H7410EW-W>.\*

European Community Design 001293732-0001, washing machine, Nov. 10, 2011, pp. 1-2.

European Community Design 001293732-0002, washing machine, Nov. 10, 2011, pp. 1-2.

European Community Design 001533985-0002, washing machine, Sep. 7, 2009, pp. 1-2.

\* cited by examiner

FIG. 1

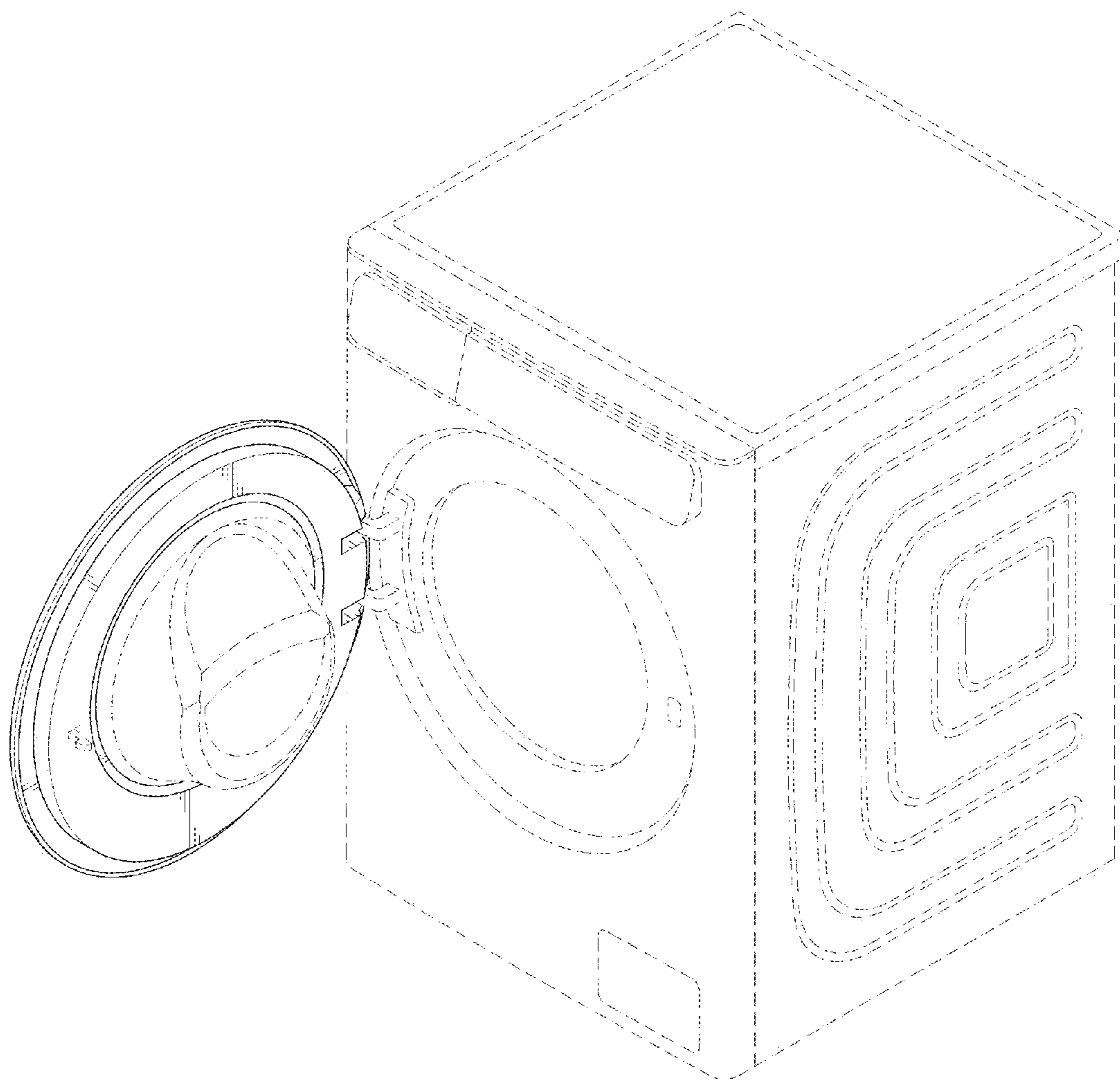
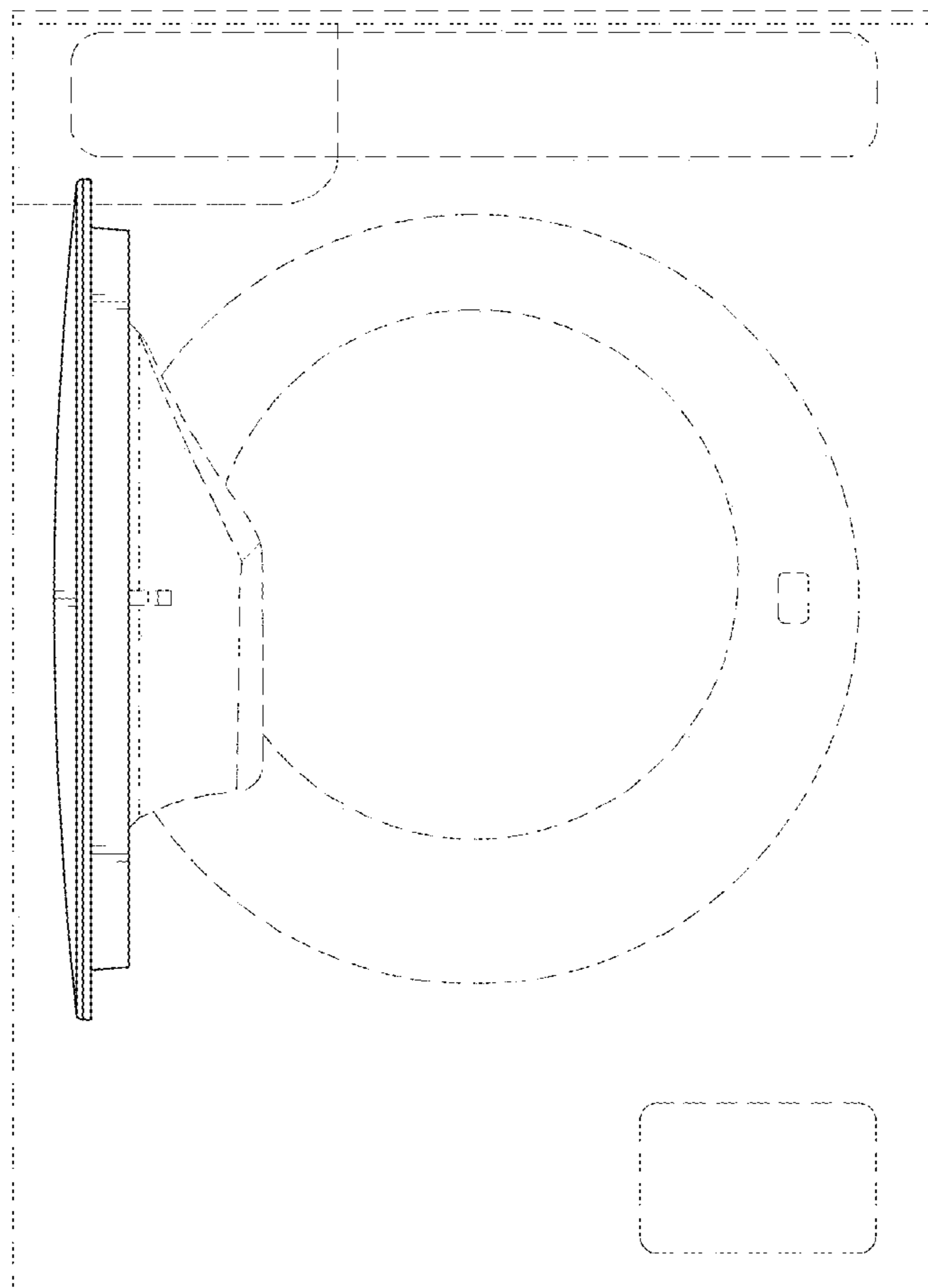


FIG. 2



**FIG. 3**





FIG. 4

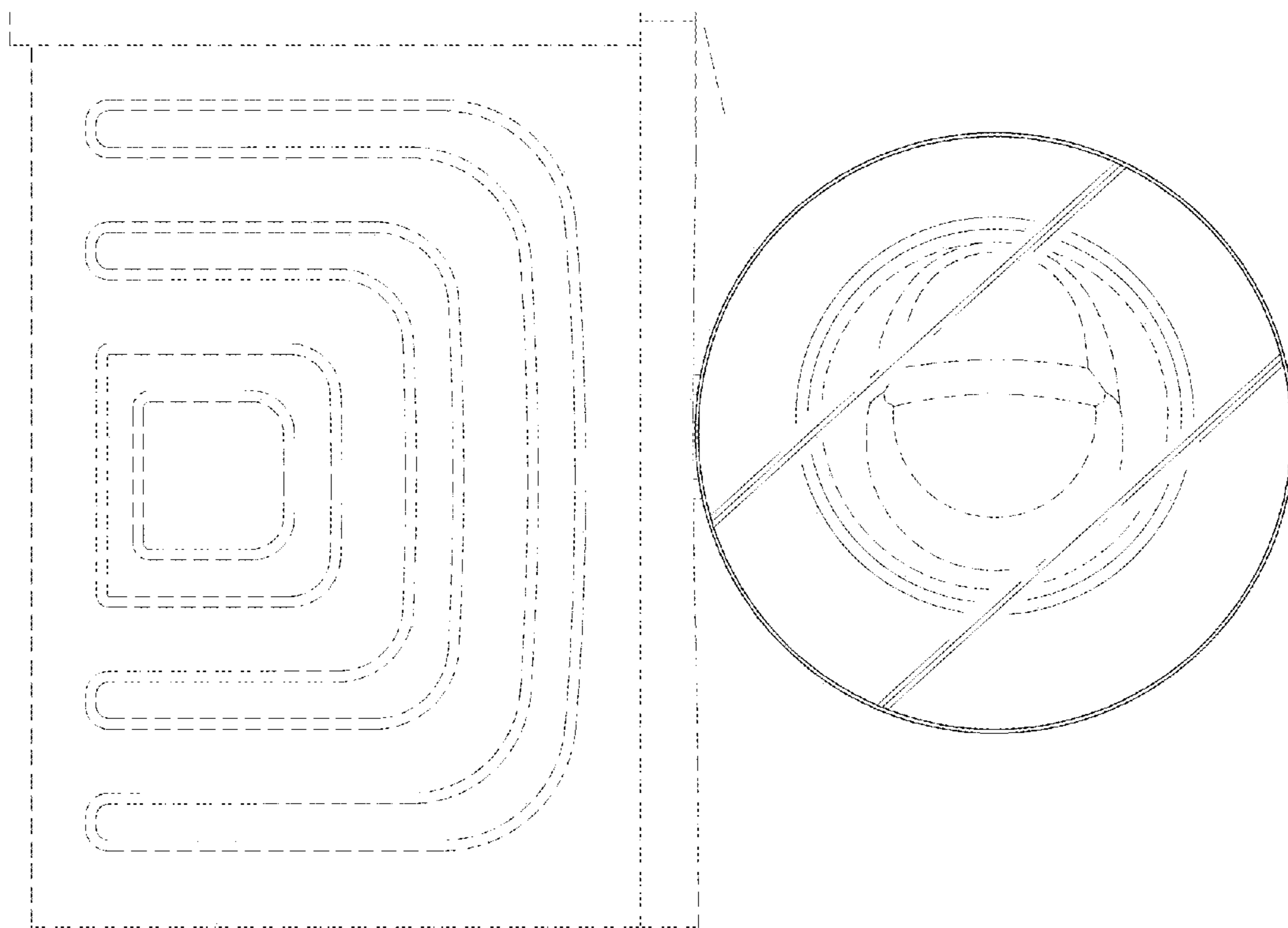


FIG. 5

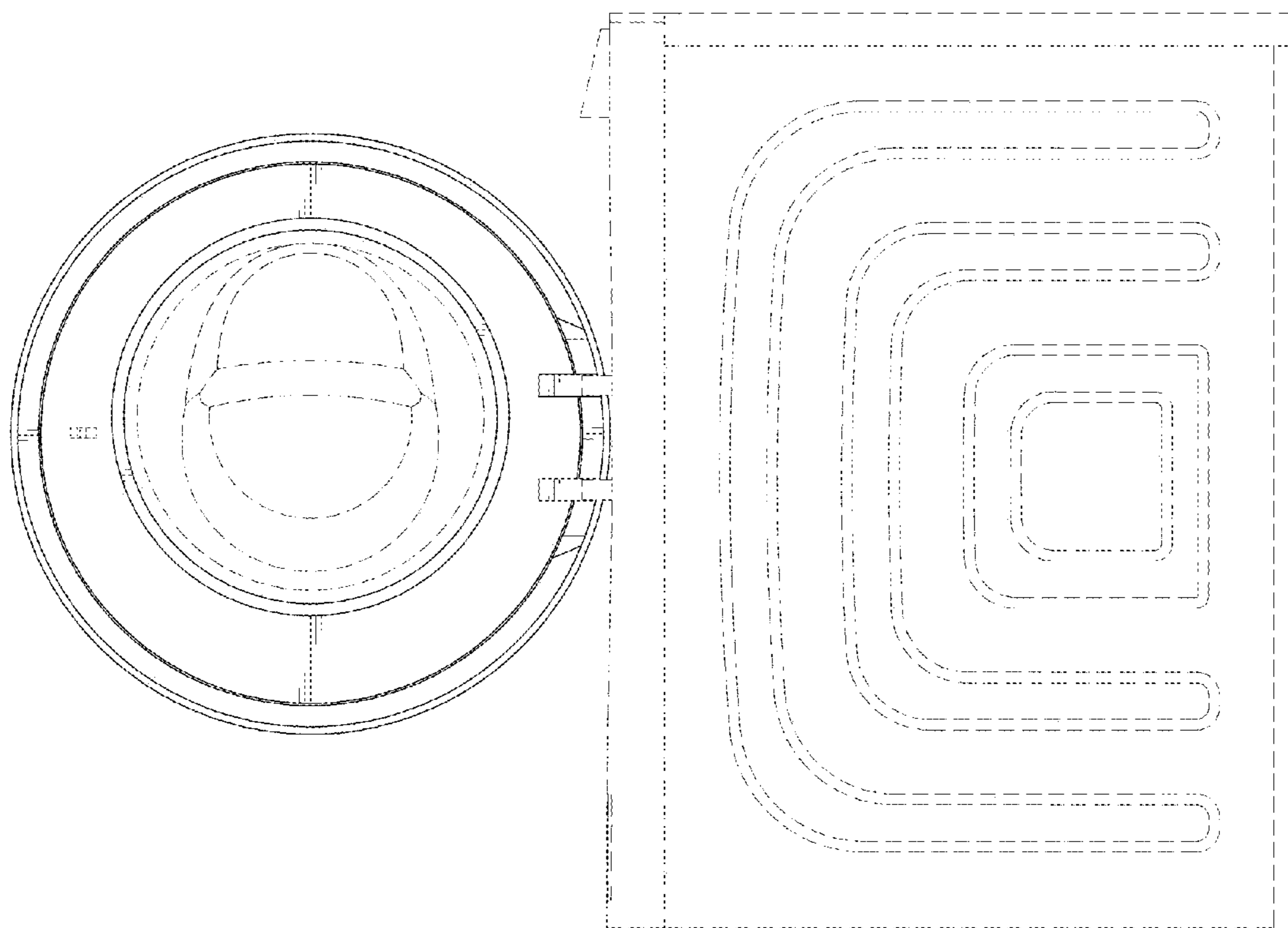


FIG. 6

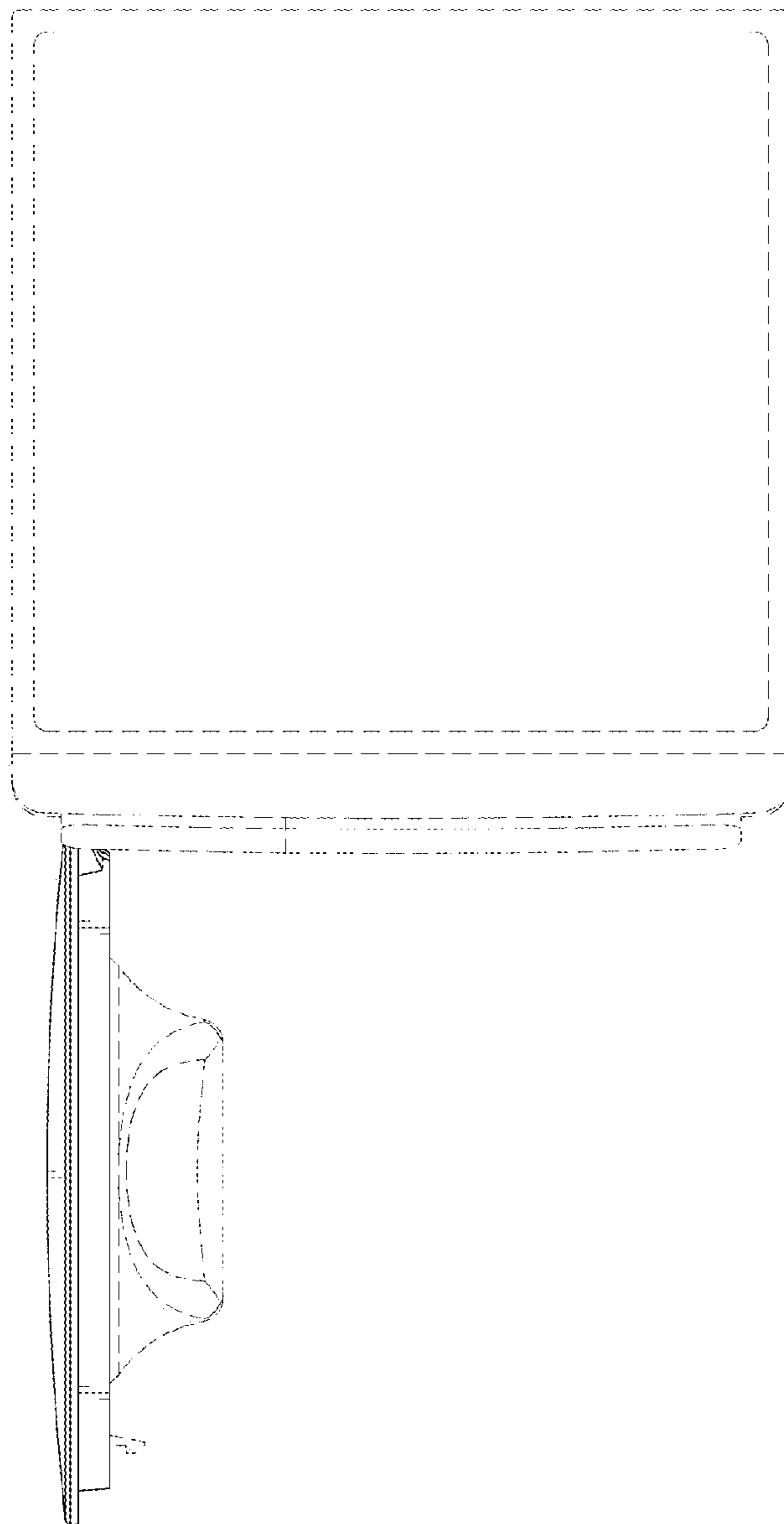




FIG. 7

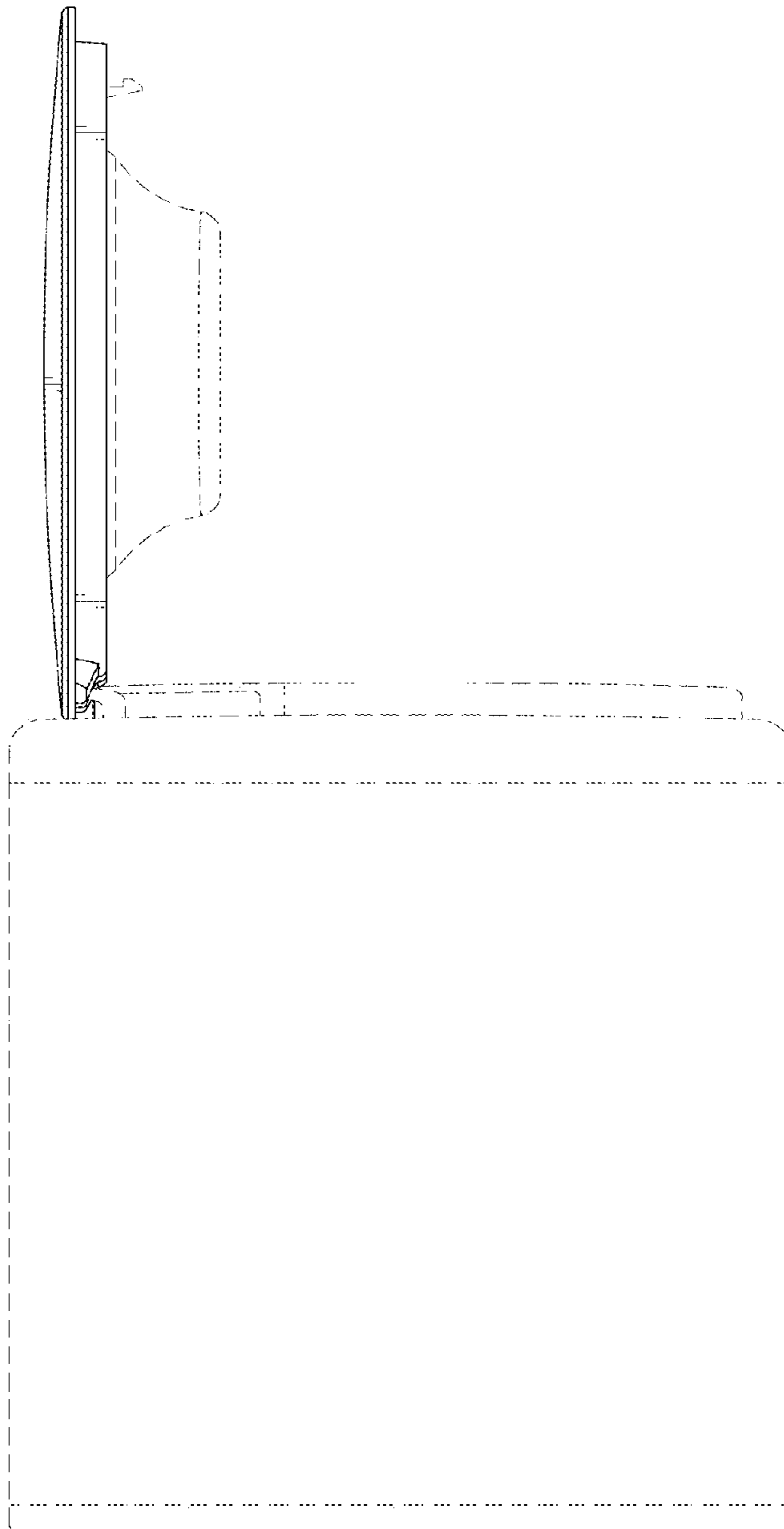


FIG. 8

