



US00D732765S

(12) **United States Design Patent**  
**Joo et al.**

(10) **Patent No.:** **US D732,765 S**  
(45) **Date of Patent:** **\*\* Jun. 23, 2015**

(54) **WASHING MACHINE**

(71) Applicant: **SAMSUNG ELECTRONICS CO., LTD.**, Suwon-si (KR)

(72) Inventors: **Sim Hyun Joo**, Seoul (KR); **Choi Yong Keun**, Asan-si (KR); **Atsuhiko Yoneda**, Tokyo (JP); **Lee Jae Woo**, Seoul (KR); **Mitsuhiro Shigeri**, Tokyo (JP)

(73) Assignee: **Samsung Electronics Co., Ltd.**, Suwon-Si (KR)

(\*\*) Term: **14 Years**

(21) Appl. No.: **29/445,340**

(22) Filed: **Feb. 11, 2013**

(30) **Foreign Application Priority Data**

Sep. 28, 2012 (KR) ..... 30-2012-0046877

(51) **LOC (10) Cl.** ..... **15-05**

(52) **U.S. Cl.**  
USPC ..... **D32/25**

(58) **Field of Classification Search**  
USPC ..... D32/6, 25, 53.1, 29.1, 54; 68/3 R, 196,  
68/17 R; D3/310, 304; D34/1  
See application file for complete search history.

(56) **References Cited**

**U.S. PATENT DOCUMENTS**

D130,835 S \* 12/1941 Altorfer ..... D32/6  
D232,187 S \* 7/1974 McCollum ..... D32/25  
D282,882 S \* 3/1986 Allison et al. .... D32/53.1  
D328,808 S \* 8/1992 Goetz ..... D32/53.1  
D345,636 S \* 3/1994 Naporano ..... D32/29.1  
5,437,168 A \* 8/1995 Mason et al. .... 68/3 R  
5,857,363 A \* 1/1999 Jung et al. .... 68/196  
D444,604 S \* 7/2001 Hoffert et al. .... D32/53.1  
D460,588 S \* 7/2002 Son ..... D32/6  
D461,288 S \* 8/2002 Tennant ..... D32/53.1

D485,955 S \* 1/2004 Johnson ..... D32/54  
D503,835 S \* 4/2005 Oda ..... D32/6  
D504,568 S \* 5/2005 Willison ..... D3/310  
D563,673 S \* 3/2008 Dretzka ..... D3/304  
D566,365 S \* 4/2008 Wentz et al. .... D34/1  
D586,056 S \* 2/2009 Shea ..... D32/53.1  
D596,367 S \* 7/2009 Katz ..... D34/19

(Continued)

**FOREIGN PATENT DOCUMENTS**

CA 140464 \* 5/2011  
GB 4009289 \* 11/2008

**OTHER PUBLICATIONS**

The Handy Paint Tray, Announced Nov. 11, 2011, [Site Visited Mar. 10, 2011]http://www.insteadofsheep.com/2011/11/handy-paint-tray.html.\*

(Continued)

*Primary Examiner* — Eric Goodman

*Assistant Examiner* — Luqman McNeil

(74) *Attorney, Agent, or Firm* — Ladas & Parry LLP

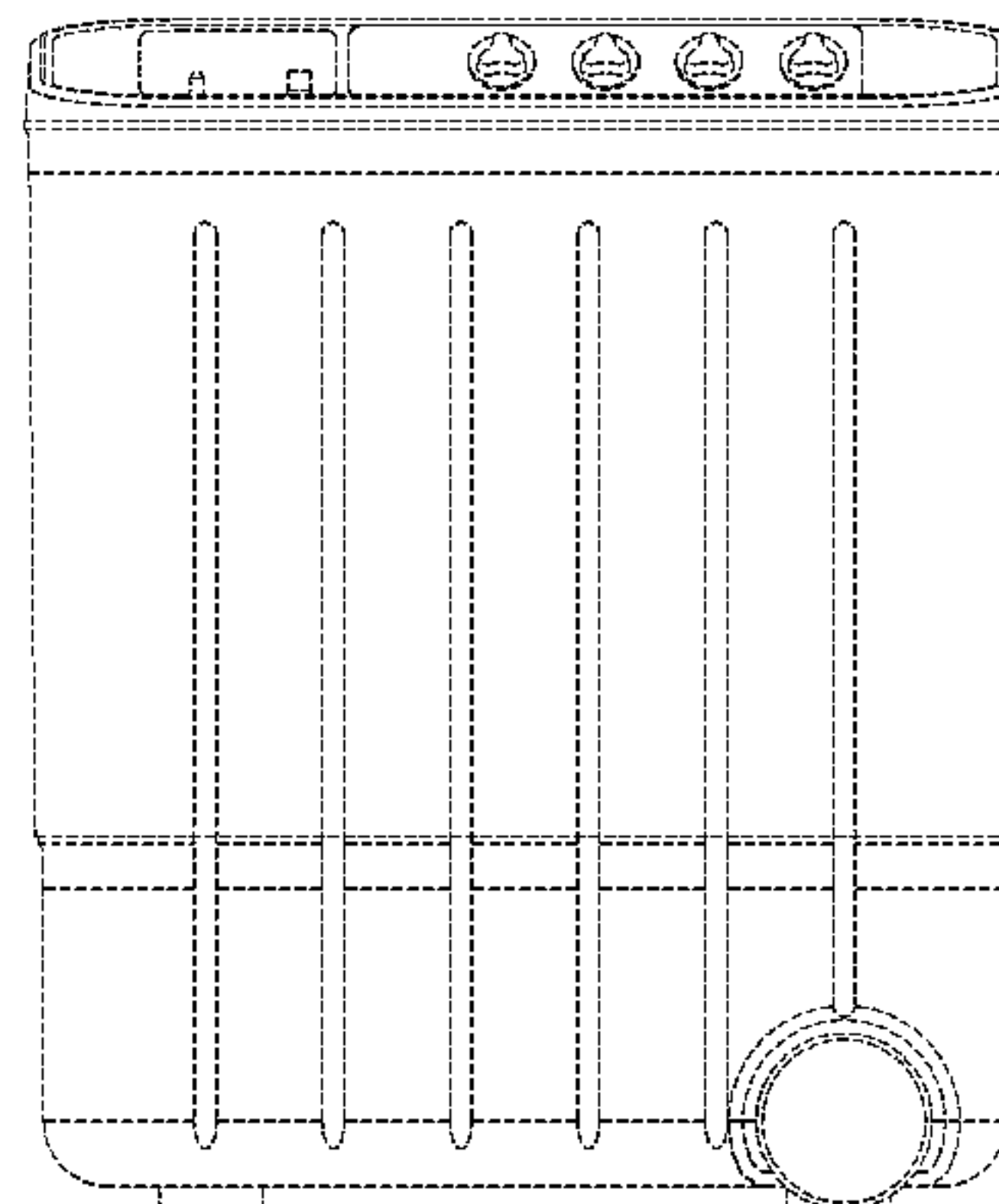
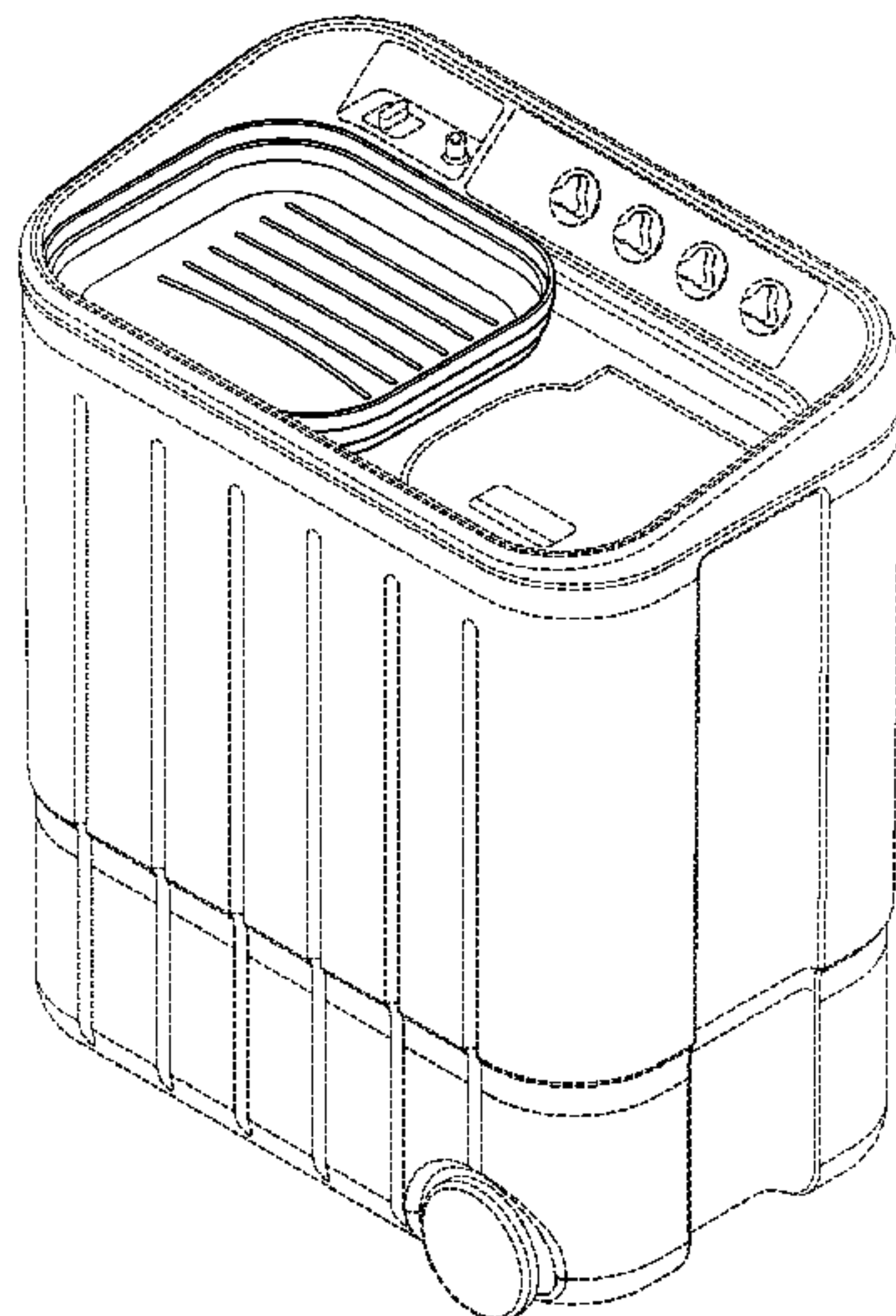
(57) **CLAIM**

We claim the ornamental design for a washing machine, as shown.

**DESCRIPTION**

FIG. 1 is a front/right-side/top perspective view of a washing machine showing our new design;  
FIG. 2 is a front-side elevational view thereof;  
FIG. 3 is a rear-side elevational view thereof;  
FIG. 4 is a left-side elevational view thereof;  
FIG. 5 is a right-side elevational view thereof;  
FIG. 6 is a top-side elevational view thereof;  
FIG. 7 is a bottom-side elevational view thereof; and,  
FIG. 8 is a referenced view thereof.  
Features shown in broken lines are disclaimed and form no part of the claimed design.

**1 Claim, 7 Drawing Sheets**



(56)

**References Cited**

U.S. PATENT DOCUMENTS

D602,220 S \* 10/2009 Wallace ..... D32/53.1  
D603,571 S \* 11/2009 Drummond ..... D32/53.1  
D607,170 S \* 12/2009 Bergman ..... D32/54  
D612,119 S \* 3/2010 Bergman ..... D32/54  
D615,265 S \* 5/2010 Bergman ..... D32/54  
D619,319 S \* 7/2010 Bergman ..... D32/54  
D624,255 S \* 9/2010 Ha ..... D32/25  
D625,520 S \* 10/2010 Greene, Jr. .... D3/304  
D627,120 S \* 11/2010 Davidson ..... D32/54

D630,393 S \* 1/2011 Bergman ..... D32/54  
D630,394 S \* 1/2011 Bergman ..... D32/54  
D652,597 S \* 1/2012 Clark, Jr. .... D32/53.1  
D668,412 S \* 10/2012 Bergman et al. .... D32/53.1  
2007/0044517 A1\* 3/2007 Yang et al. .... 68/17 R

OTHER PUBLICATIONS

Go Tami Go, DIY Dragging Sled, Announced May 7, 2011, [Site Visited Mar. 10, 2011] <https://gotamigo.wordpress.com/diy-equipment/fast-cheap-down-and-dirty-diy-dragging-sled/>.\*

\* cited by examiner

**FIG. 1**

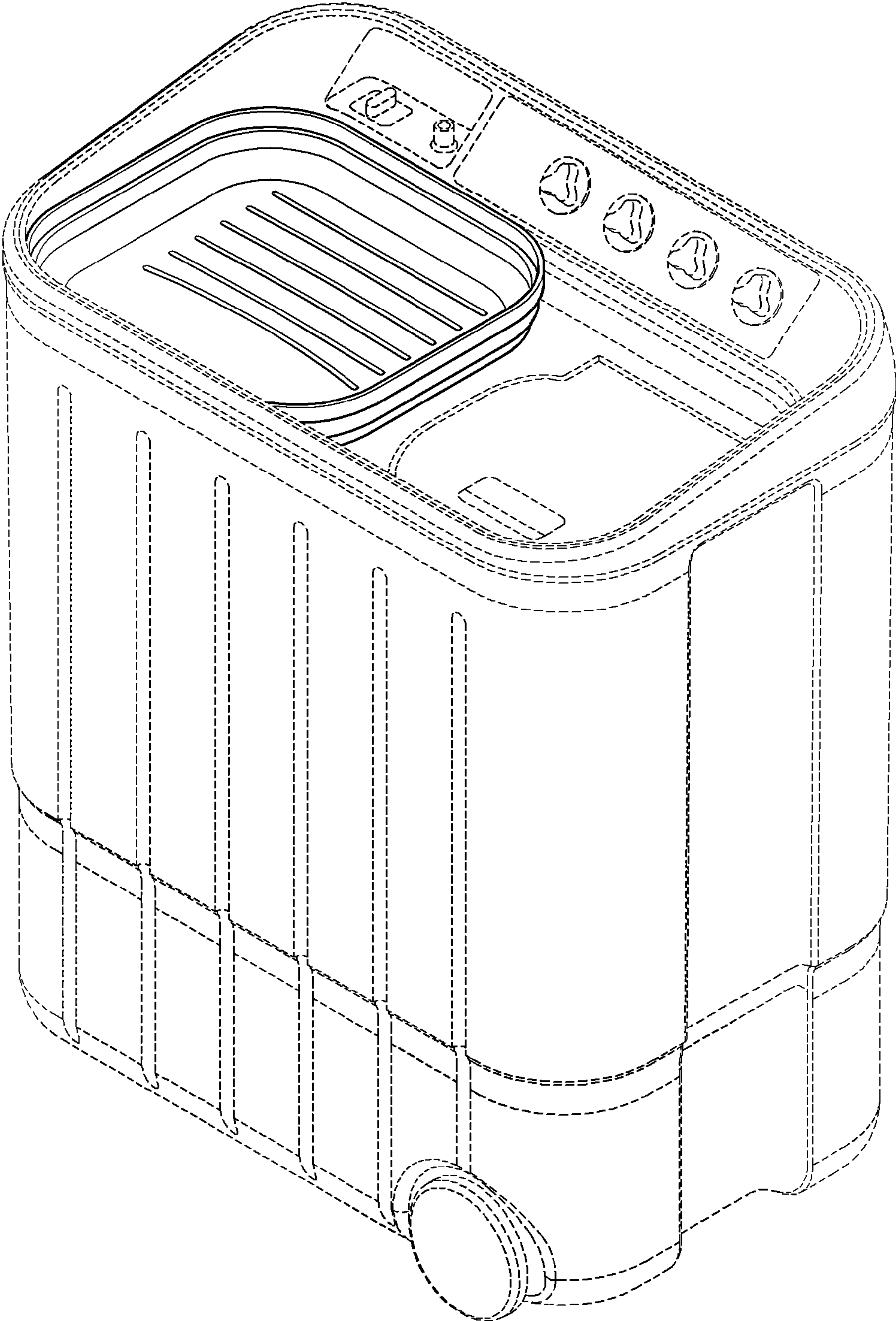
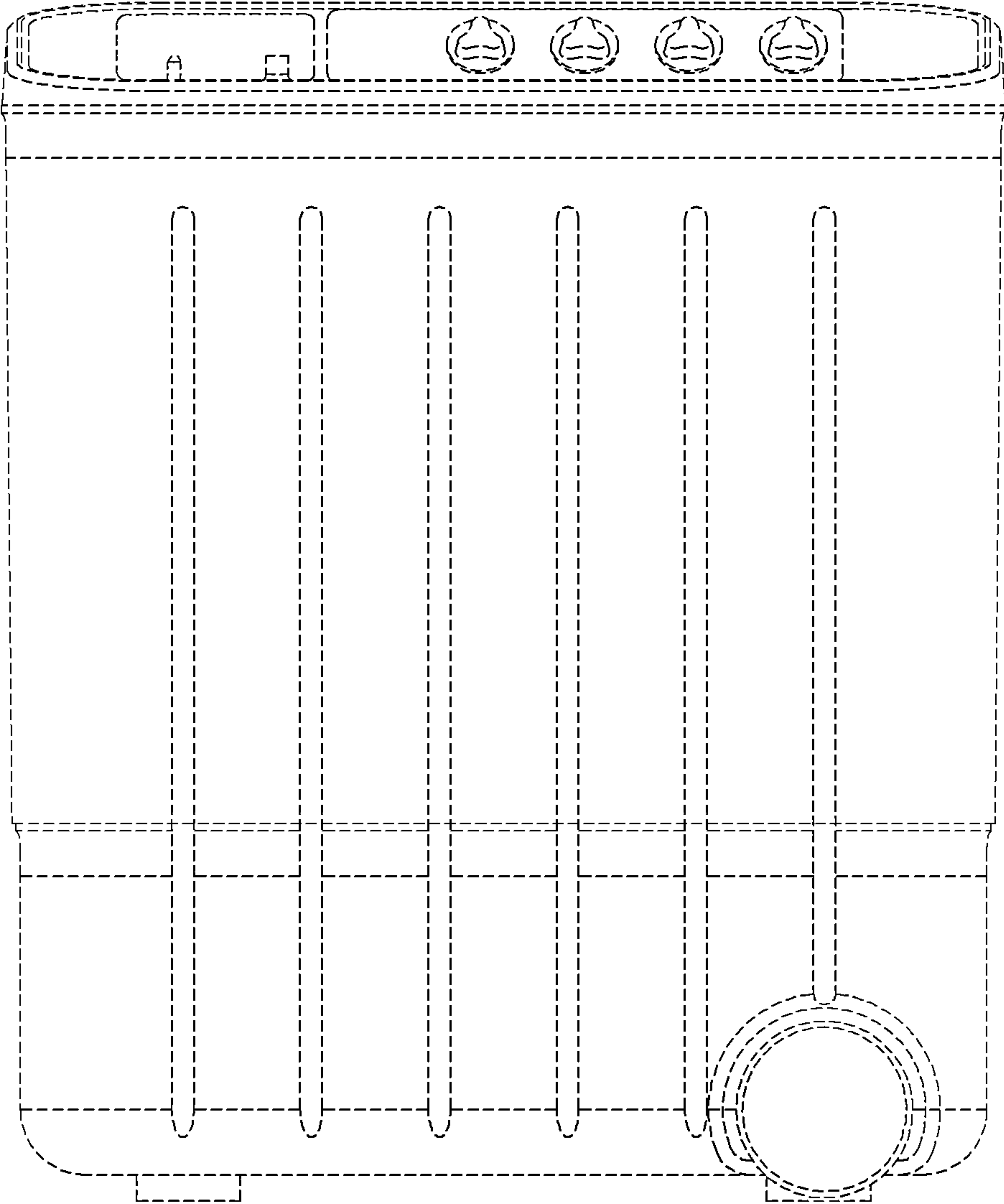
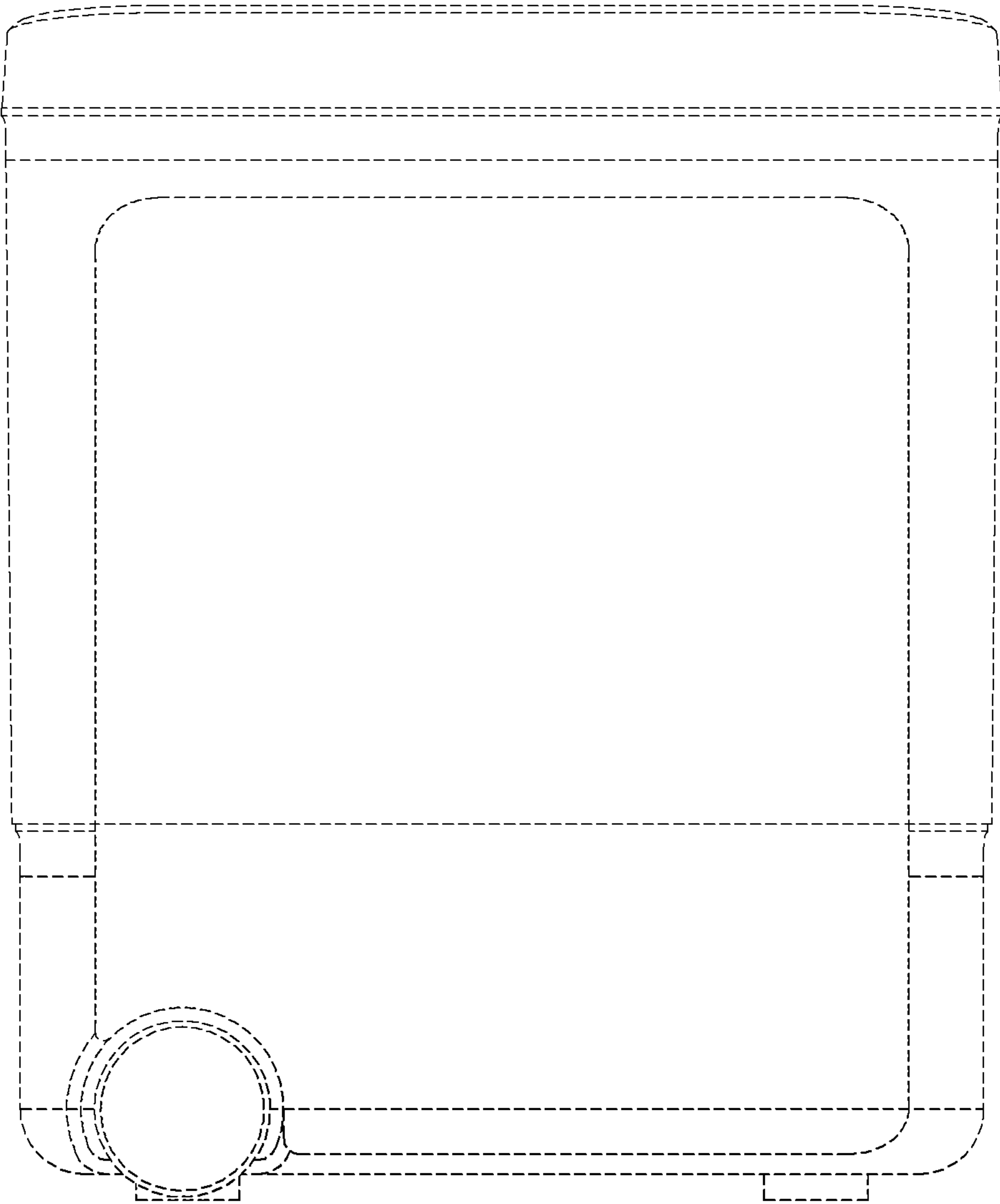


FIG. 2

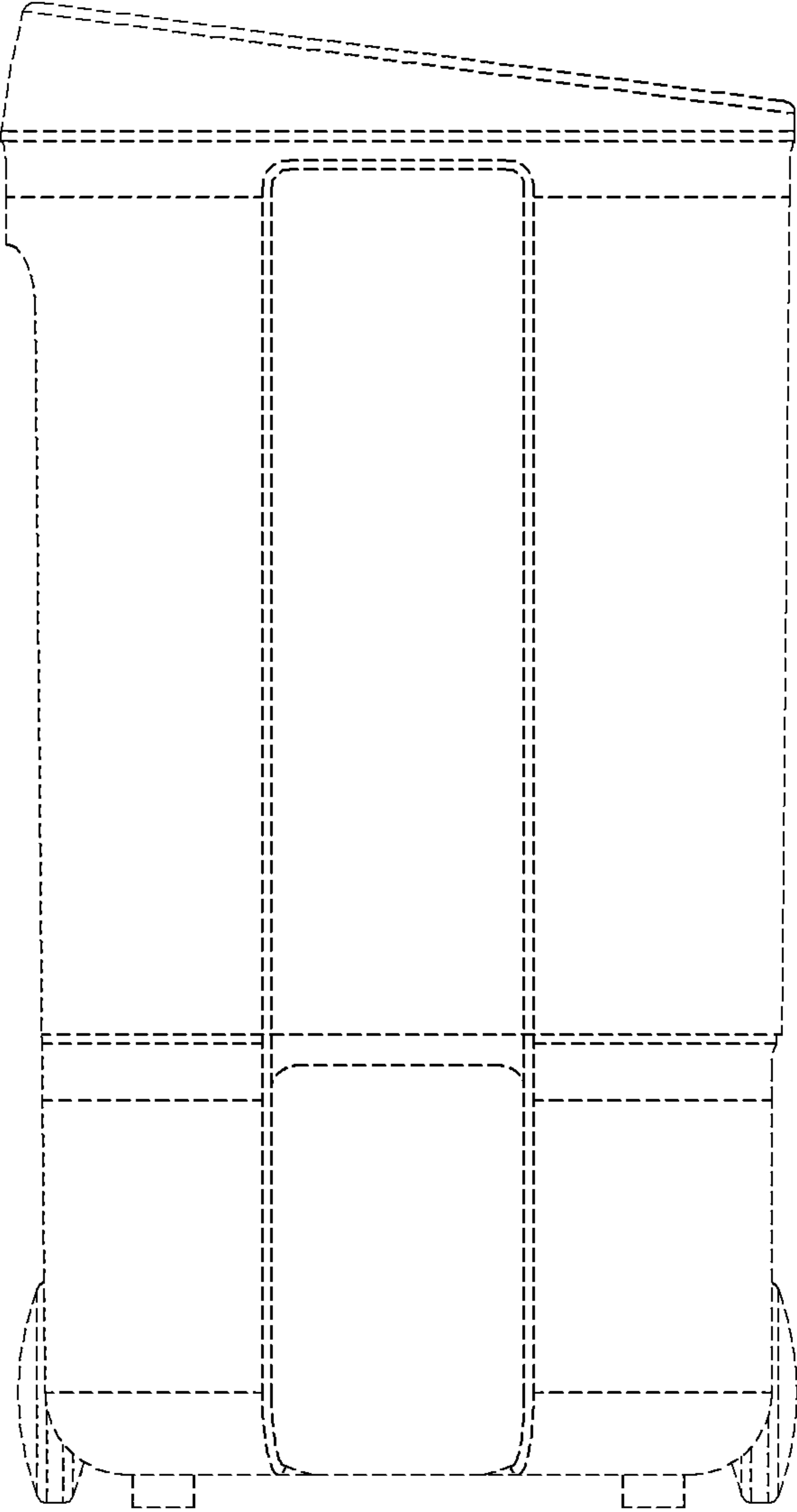


**FIG. 3**

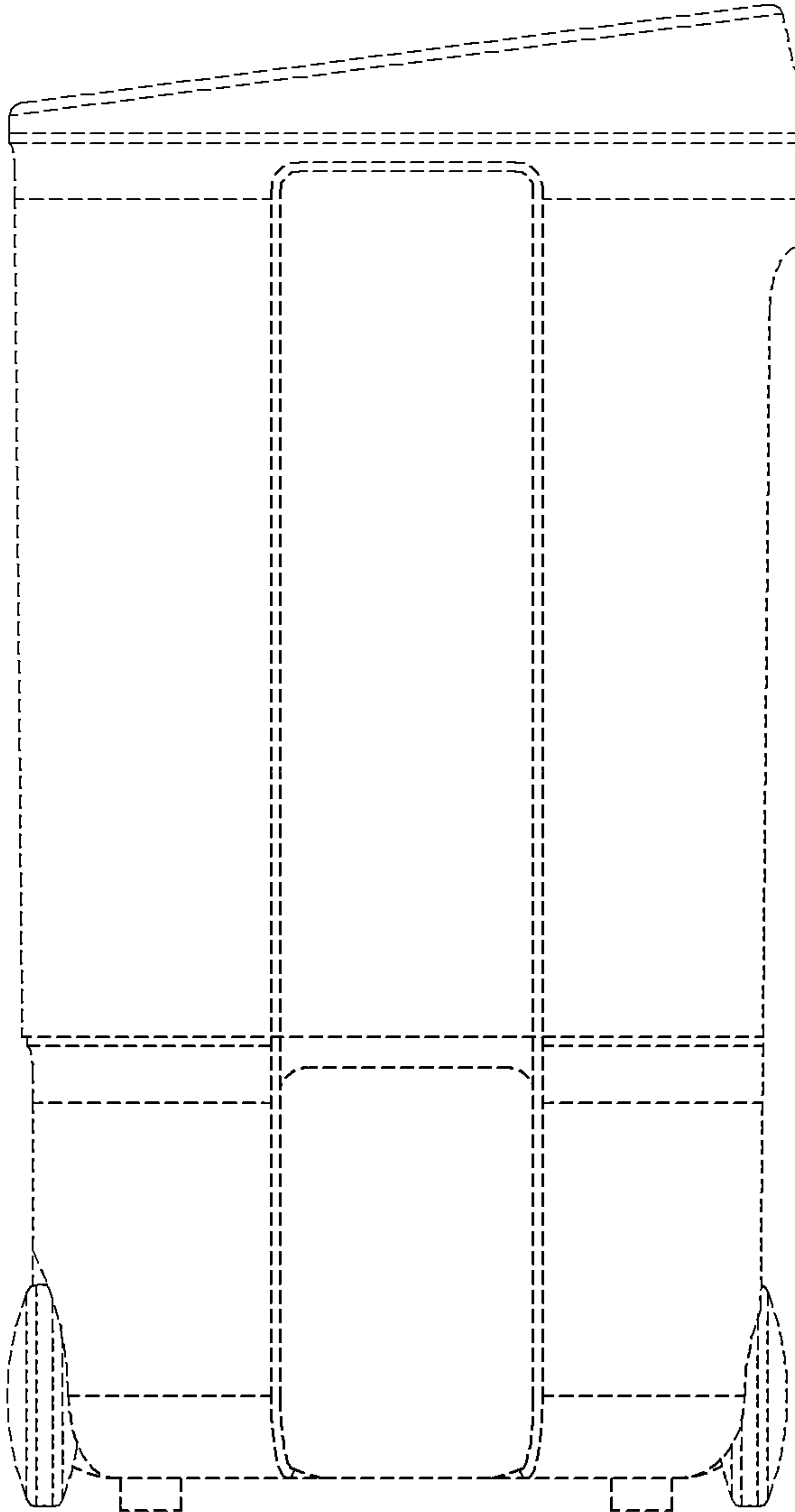




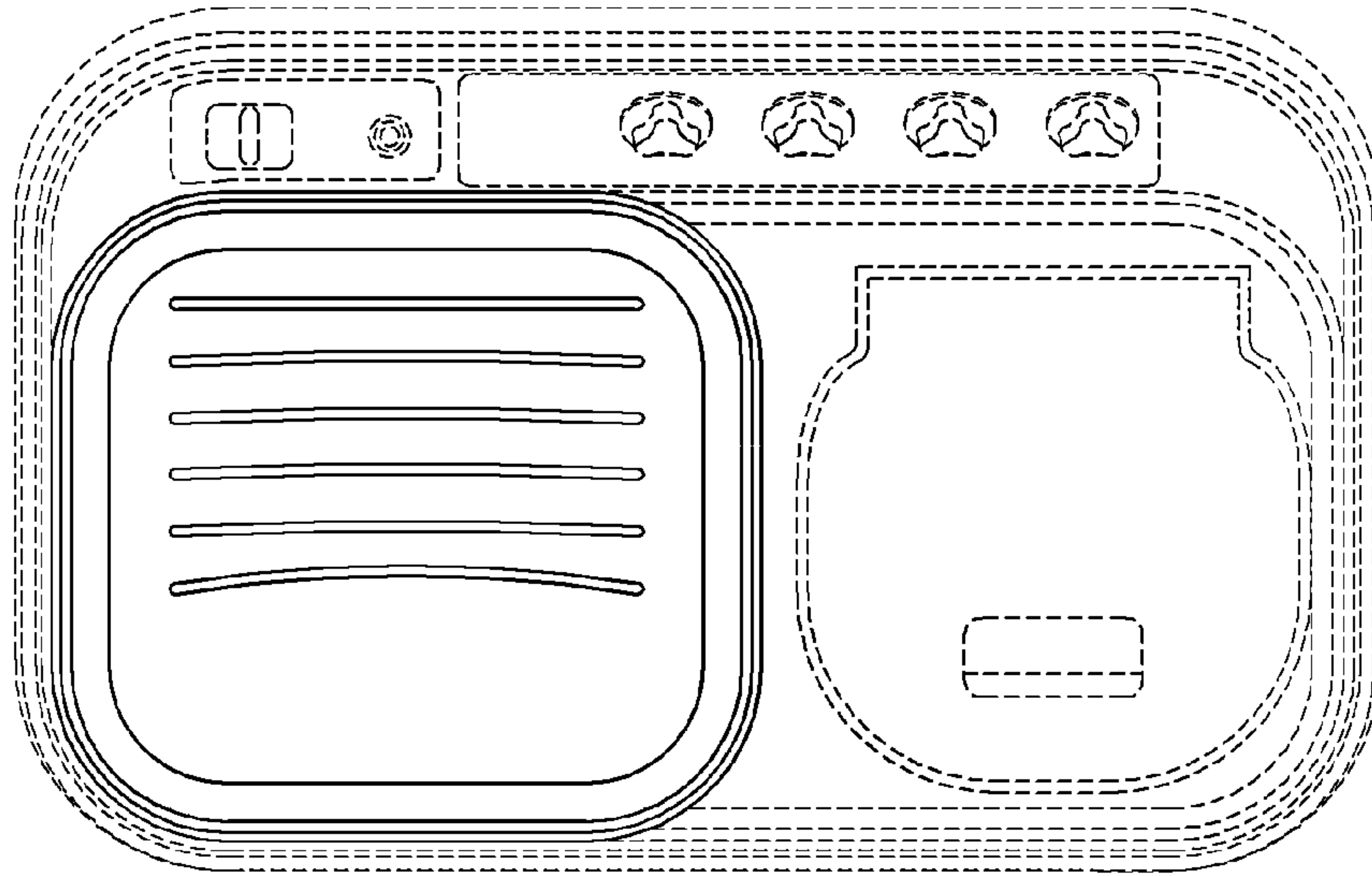
**FIG. 4**



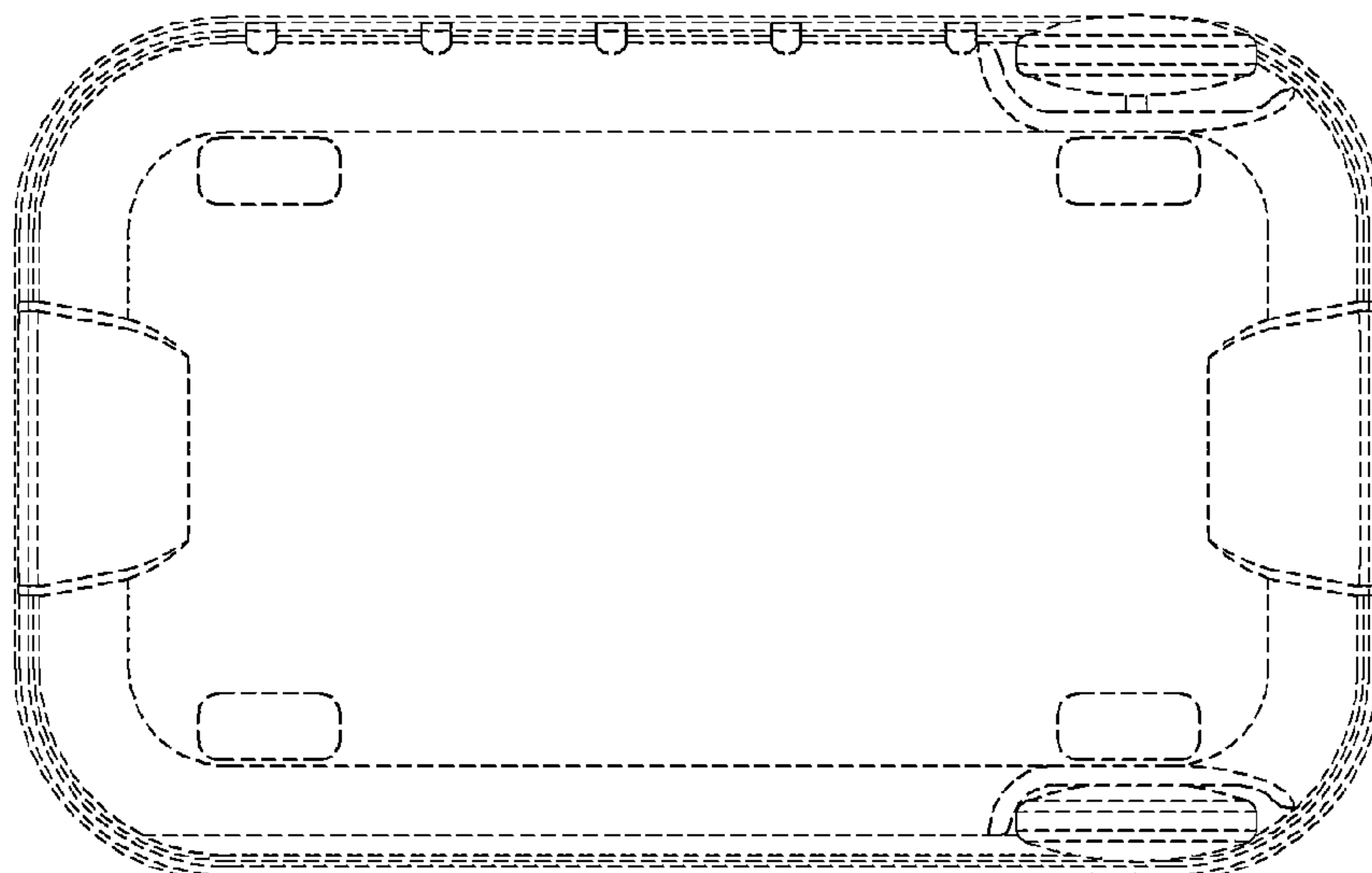
**FIG. 5**



**FIG. 6**



**FIG. 7**





**FIG. 8**

