



US00D732764S

(12) **United States Design Patent**
Kennard et al.

(10) **Patent No.:** **US D732,764 S**
(45) **Date of Patent:** **** Jun. 23, 2015**

- (54) **PRESSURE WASHER**
- (71) Applicant: **Theodosier Pty Ltd**, Artarmon, New South Wales (AU)
- (72) Inventors: **Rory Kennard**, Artarmon (AU); **James West**, Artarmon (AU); **Michael Chen**, Artarmon (AU)
- (73) Assignee: **Theodosier Pty Ltd**, Artarmon, New South Wales (AU)
- (**) Term: **14 Years**
- (21) Appl. No.: **29/484,401**
- (22) Filed: **Mar. 10, 2014**
- (51) **LOC (10) Cl.** **15-05**
- (52) **U.S. Cl.**
USPC **D32/15**
- (58) **Field of Classification Search**
USPC D32/1, 15-18, 25; 239/146-149, 239/155-158; 15/320-323
CPC B05B 9/00; B08B 3/02
See application file for complete search history.

D648,082 S *	11/2011	Alexander et al.	D32/15
D665,545 S *	8/2012	Alexander et al.	D32/15
D686,788 S *	7/2013	Kahan et al.	D32/16
D688,841 S *	8/2013	van Deursen	D32/25
8,602,323 B2 *	12/2013	Bearup et al.	239/147
8,632,021 B2 *	1/2014	Li et al.	239/312

FOREIGN PATENT DOCUMENTS

AU	2006201141 B2	10/2006
AU	2008212059 A1	3/2009
AU	2010200291 A1	8/2010
WO	2010/111185 A2	9/2010
WO	DM/078192	4/2012

* cited by examiner

Primary Examiner — Sandra Morris

(74) *Attorney, Agent, or Firm* — Whitham Curtis Christofferson & Cook, PC

(56) **References Cited**

U.S. PATENT DOCUMENTS

4,913,345 A	4/1990	Setter	
5,312,044 A	5/1994	Eaton	
D375,591 S *	11/1996	Fryoux	D32/15
6,279,838 B1 *	8/2001	Sivells et al.	239/146
6,695,235 B2 *	2/2004	Faller et al.	239/722
D532,942 S *	11/2006	Busschaert	D32/15
D580,610 S *	11/2008	Hawkins	D32/25
D590,110 S *	4/2009	Hawkins	D32/25
D596,817 S *	7/2009	Glass et al.	D32/25
D619,312 S *	7/2010	Rodenkirch et al.	D32/15
D634,083 S *	3/2011	Fay	D32/15
D639,001 S *	5/2011	Alexander et al.	D32/15

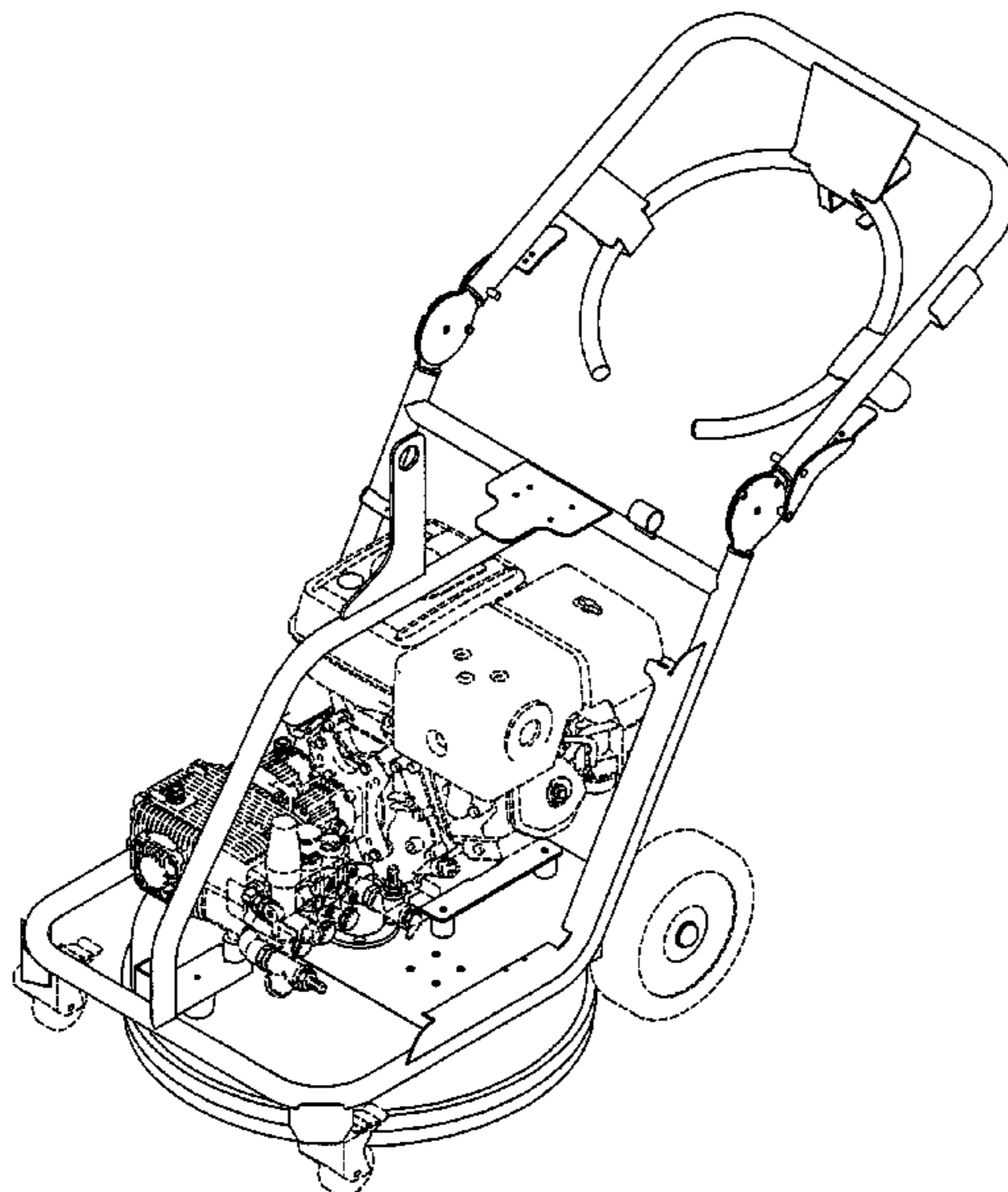
(57) **CLAIM**

We claim the ornamental design for pressure washer, as shown and described.

DESCRIPTION

FIG. 1 is a first isometric view of a pressure washer; FIG. 2 is a second isometric view of the pressure washer; FIG. 3 is a third isometric view of the pressure washer; FIG. 4 is a fourth isometric view of the pressure washer; FIG. 5 is a front elevation view of the pressure washer; FIG. 6 is a top plan view of the pressure washer; FIG. 7 is a left side elevation view of the pressure washer; FIG. 8 is a right side elevation view of the pressure washer; FIG. 9 is a rear elevation view of the pressure washer; and, FIG. 10 is a bottom plan view of the pressure washer. The broken lines illustrate environmental structure and form no part of the claimed design.

1 Claim, 10 Drawing Sheets



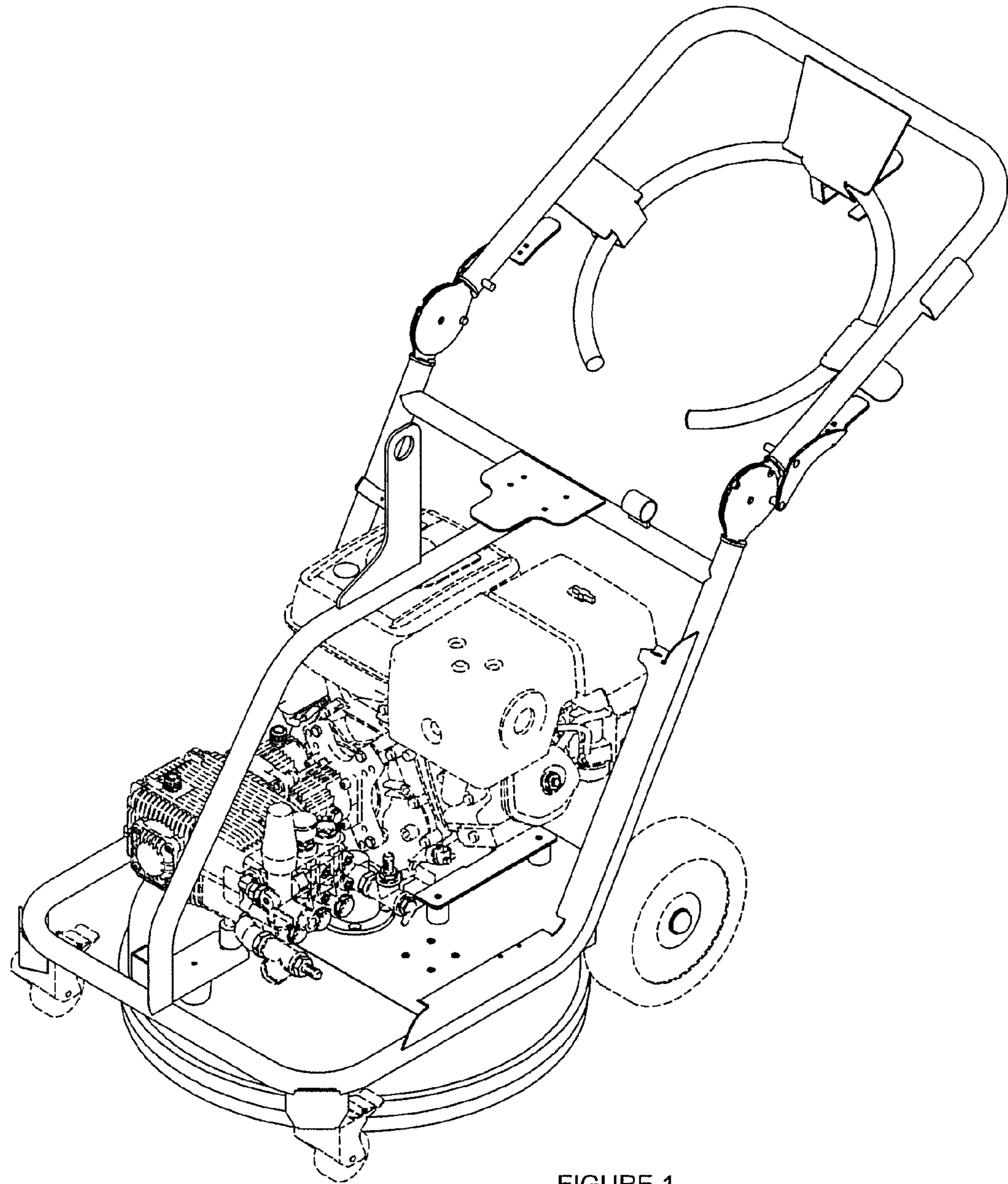


FIGURE 1

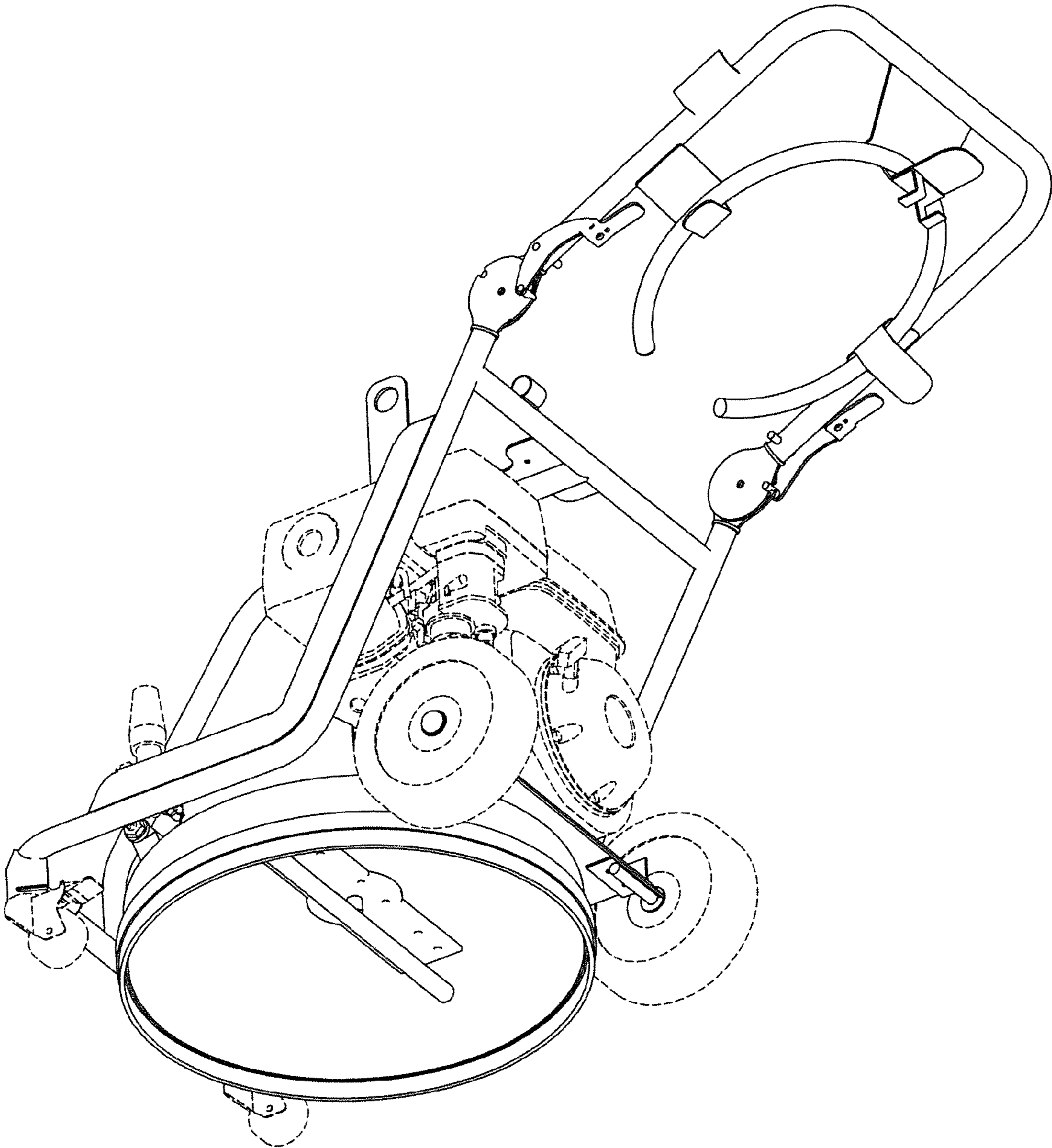


FIGURE 2

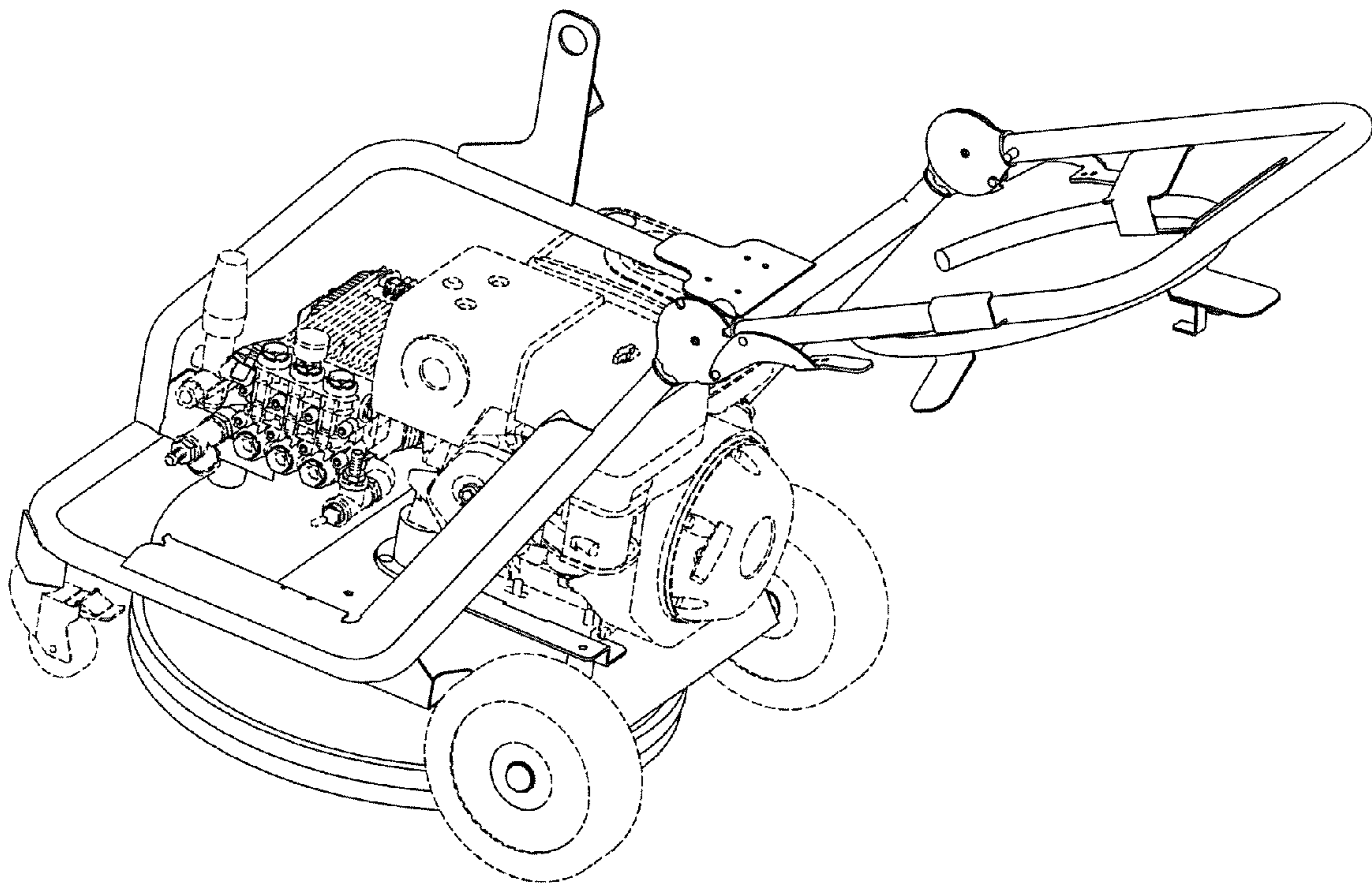


FIGURE 3

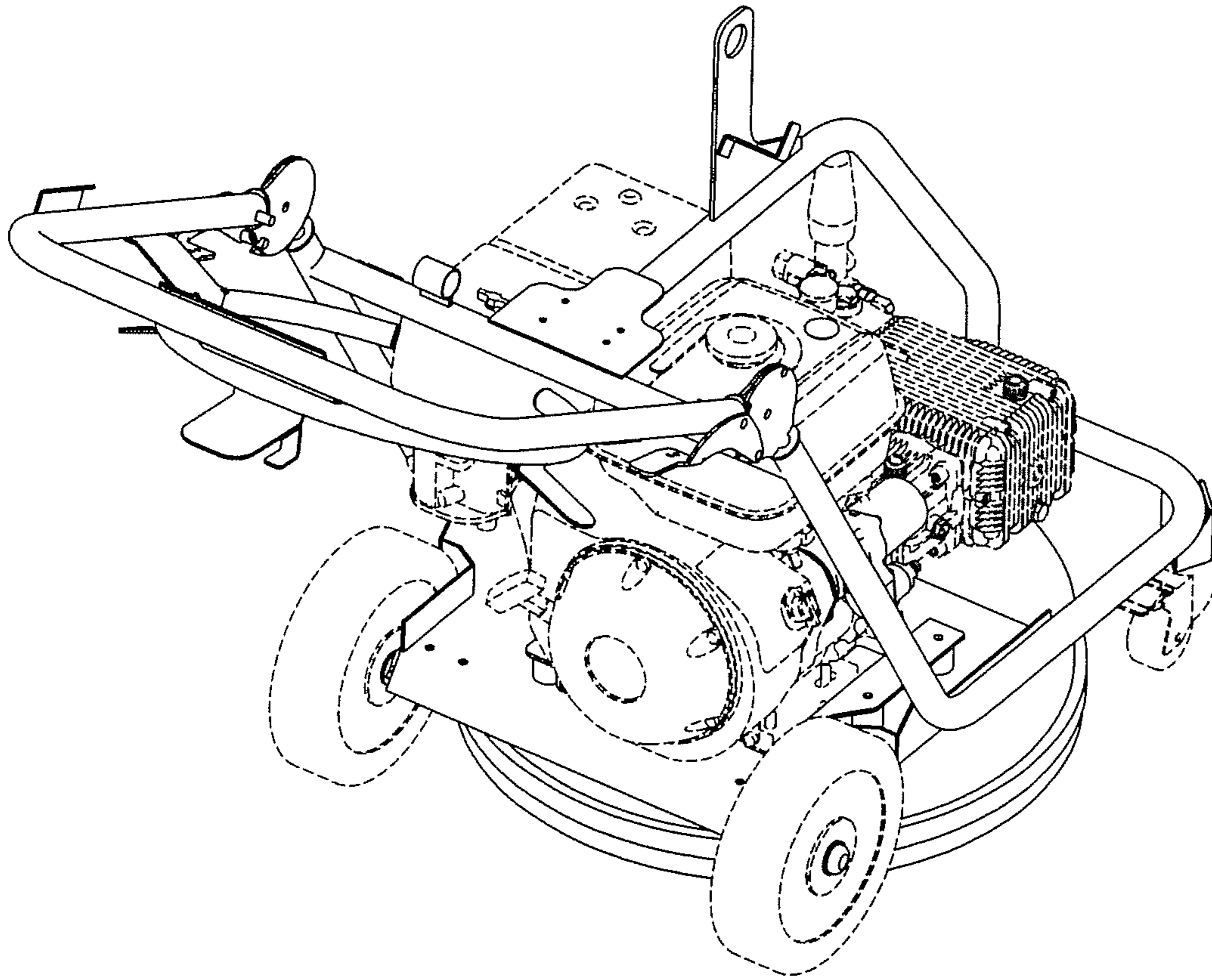


FIGURE 4

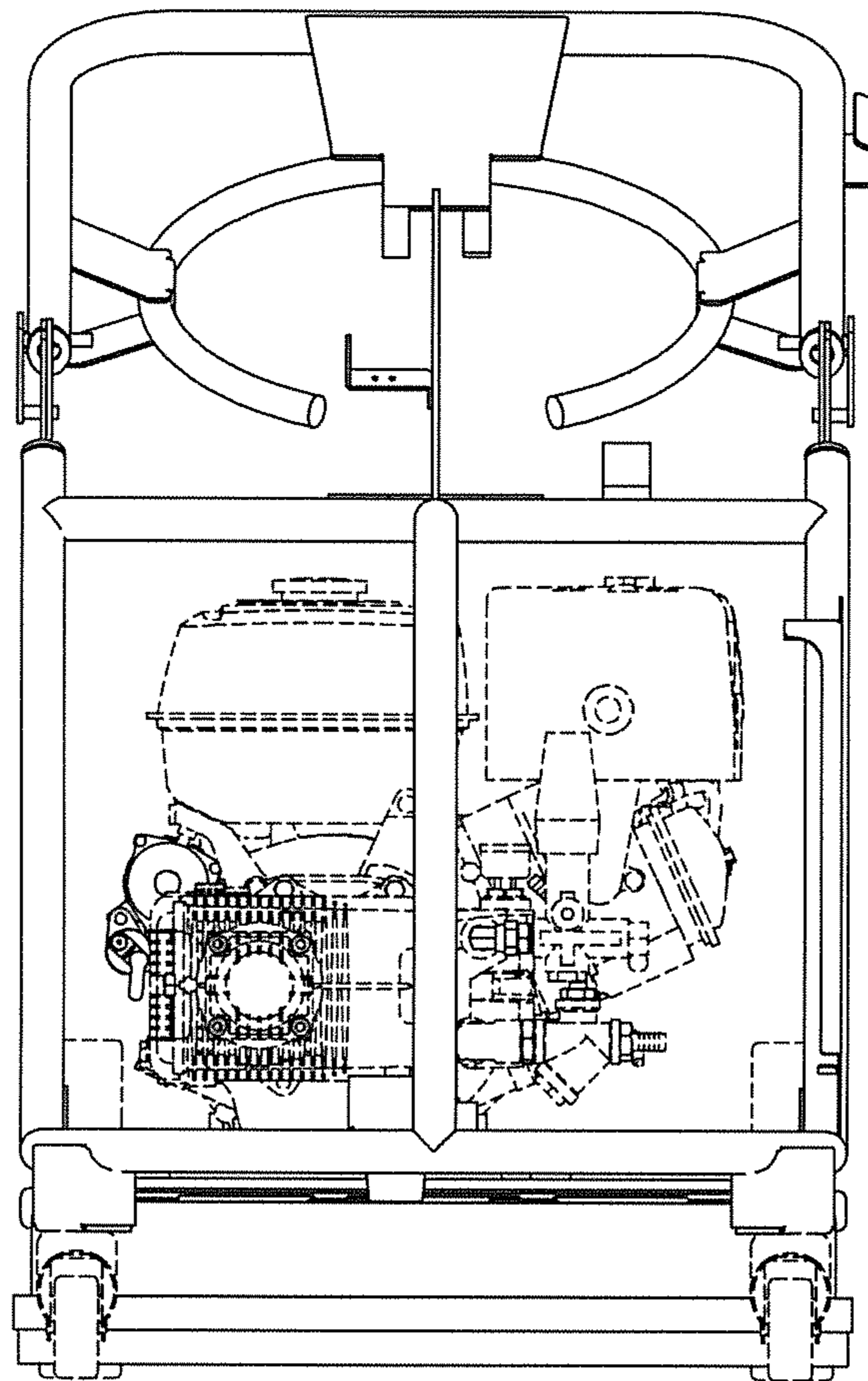


FIGURE 5

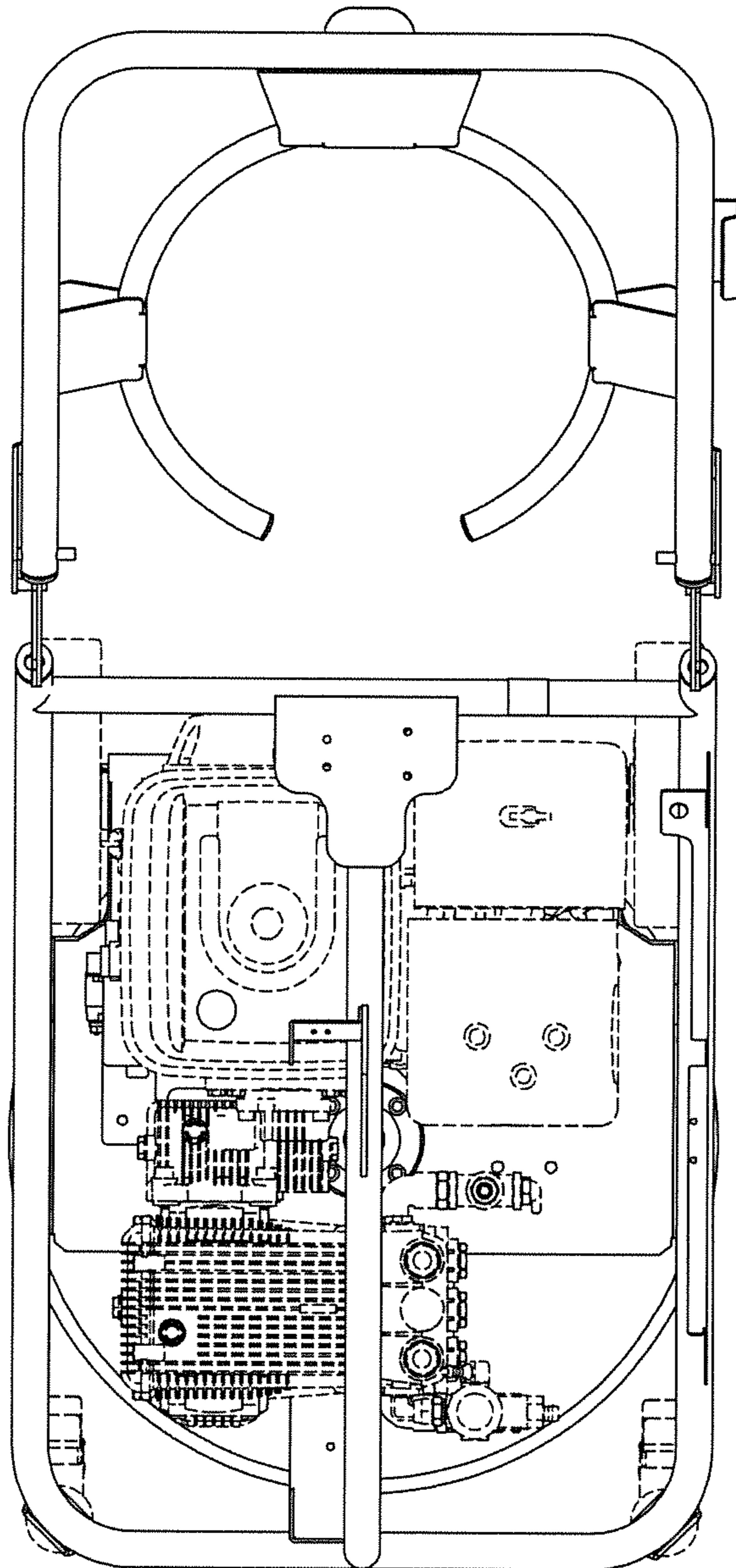


FIGURE 6

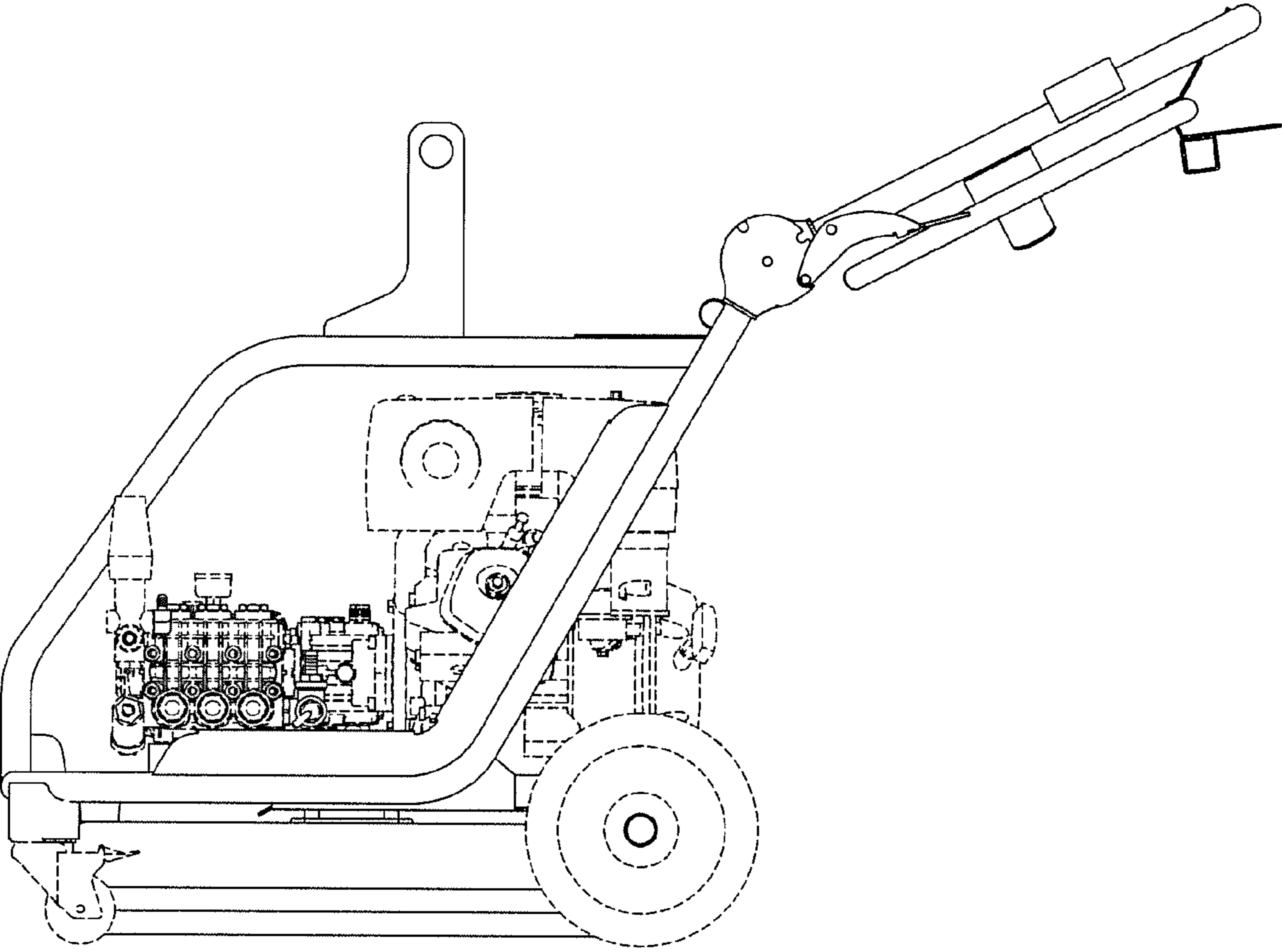


FIGURE 7

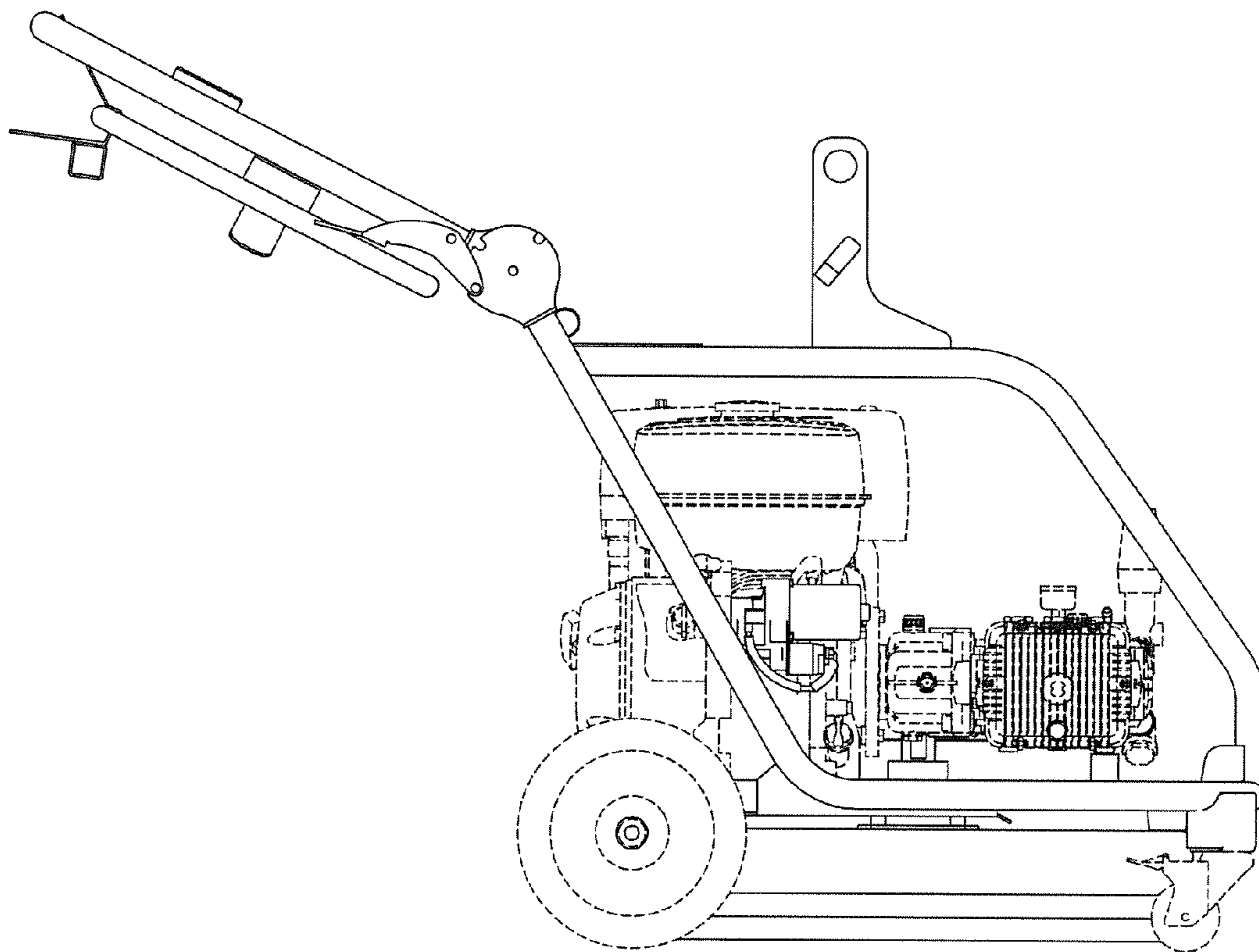


FIGURE 8

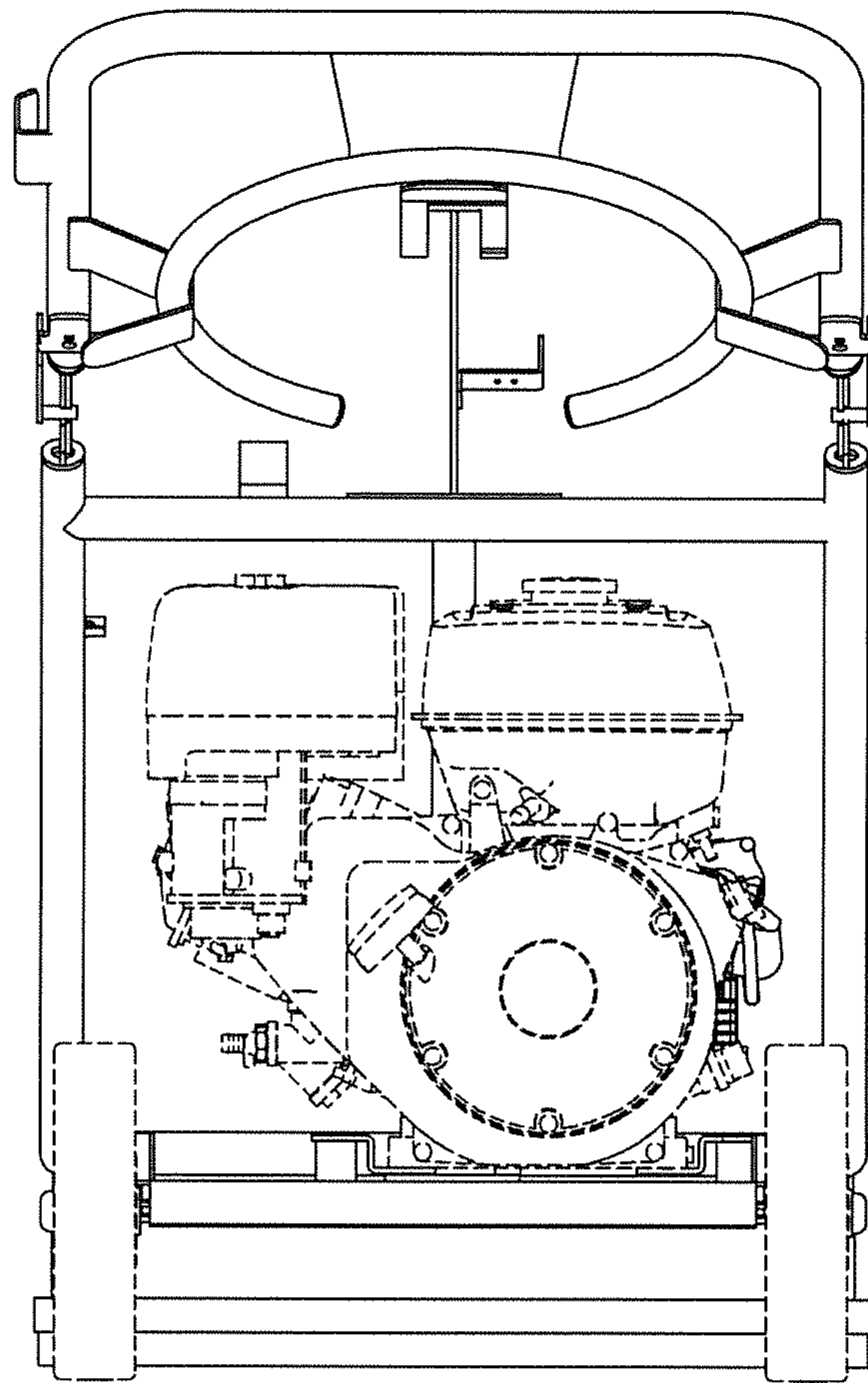


FIGURE 9

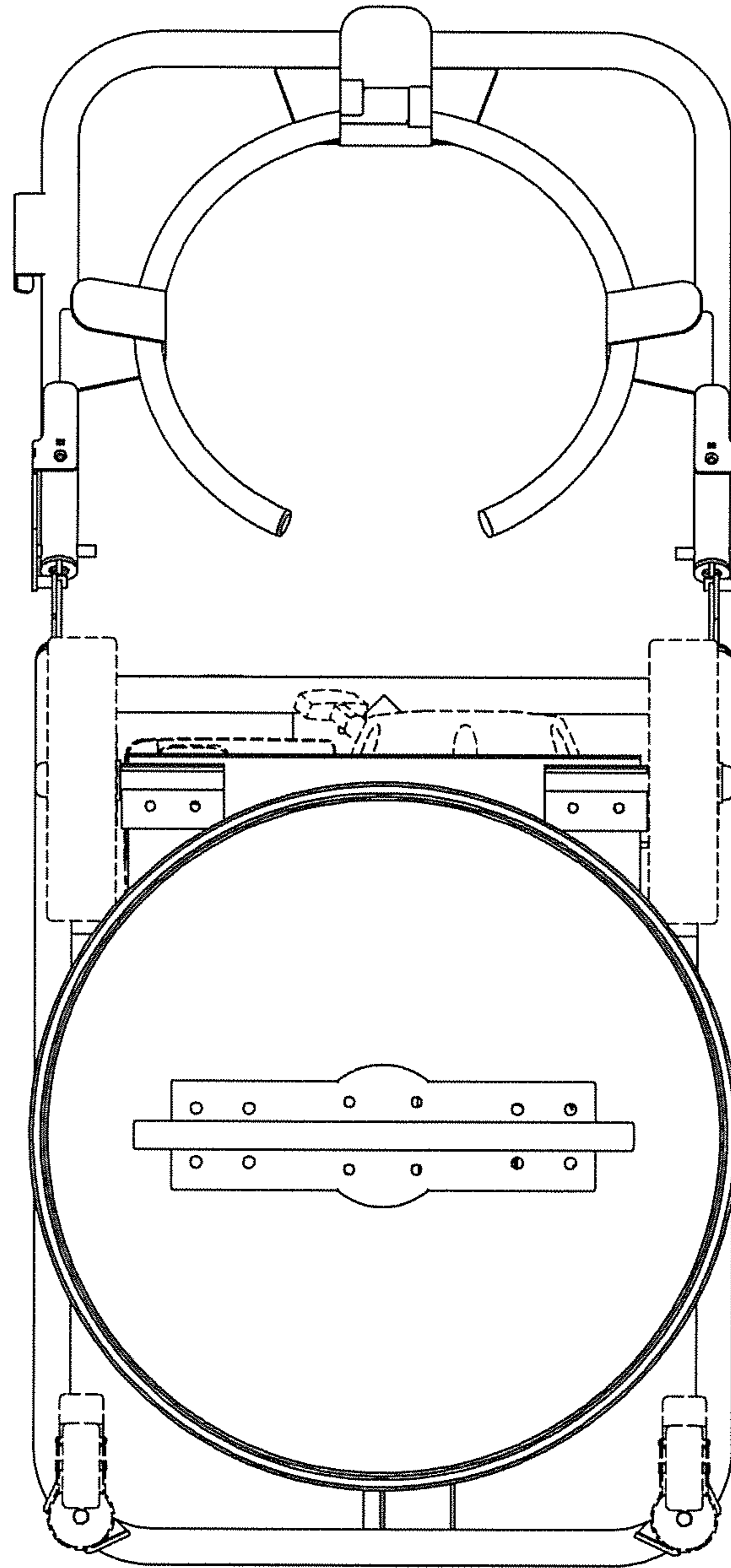


FIGURE 10