



US00D732762S

(12) **United States Design Patent**
Joo et al.

(10) **Patent No.:** **US D732,762 S**
(45) **Date of Patent:** **** Jun. 23, 2015**

(54) **WASHING MACHINE**

(71) Applicant: **SAMSUNG ELECTRONICS CO., LTD.**, Suwon-si (KR)

(72) Inventors: **Sim Hyun Joo**, Seoul (KR); **Atsuhiko Yoneda**, Tokyo (JP); **Choi Yong Keun**, Asan-si (KR); **Lee Jae Woo**, Seoul (KR); **Mitsuhiro Shigeri**, Tokyo (JP)

(73) Assignee: **Samsung Electronics Co., Ltd.**, Suwon-Si (KR)

(**) Term: **14 Years**

(21) Appl. No.: **29/445,342**

(22) Filed: **Feb. 11, 2013**

(30) **Foreign Application Priority Data**

Sep. 28, 2012 (KR) 30-2012-0046879

(51) **LOC (10) Cl.** **15-05**

(52) **U.S. Cl.**
USPC **D32/6**

(58) **Field of Classification Search**
USPC D32/6, 25, 29.1; 220/495.06; 68/3 R, 68/196, 17; D34/1, 19, 5, 7; 312/108; D3/310, 304; 280/47.18, 47.26

See application file for complete search history.

(56) **References Cited**

U.S. PATENT DOCUMENTS

D130,835 S * 12/1941 Altorfer D32/6
D232,187 S * 7/1974 McCollom D32/25
D345,636 S * 3/1994 Naporano D32/29.1
5,390,812 A * 2/1995 Spiro 220/495.06
5,437,168 A * 8/1995 Mason et al. 68/3 R
D387,530 S * 12/1997 Doxey D34/1
5,857,363 A * 1/1999 Jung et al. 68/196

D460,588 S * 7/2002 Son D32/6
D503,835 S * 4/2005 Oda D32/6
D504,568 S * 5/2005 Willison D3/310
D524,007 S * 6/2006 Palmer D34/19
D541,491 S * 4/2007 Jun D32/6
D542,496 S * 5/2007 Sabbag D34/5
D563,673 S * 3/2008 Dretzka D3/304
D566,365 S * 4/2008 Wentz et al. D34/1

(Continued)

FOREIGN PATENT DOCUMENTS

KR 300243575.0000 * 8/1999
KR 300267346.0000 * 12/2000
RU 00070926 * 6/2009

OTHER PUBLICATIONS

Mini Portable Twin Tub Washing Machine, Announced May 16, 2011, [Site Visited Mar. 6, 2015] <http://www.aliexpress.com/item/Mini-portable-Twin-Tub-Washing-Machine/465908371.html>.*

(Continued)

Primary Examiner — Eric Goodman

Assistant Examiner — Luqman McNeil

(74) *Attorney, Agent, or Firm* — Ladas & Parry LLP

(57) **CLAIM**

We claim the ornamental design for a washing machine, as shown.

DESCRIPTION

FIG. 1 is a front/right-side/top perspective view of a washing machine showing our new design;

FIG. 2 is a front-side elevational view thereof;

FIG. 3 is a rear-side elevational view thereof;

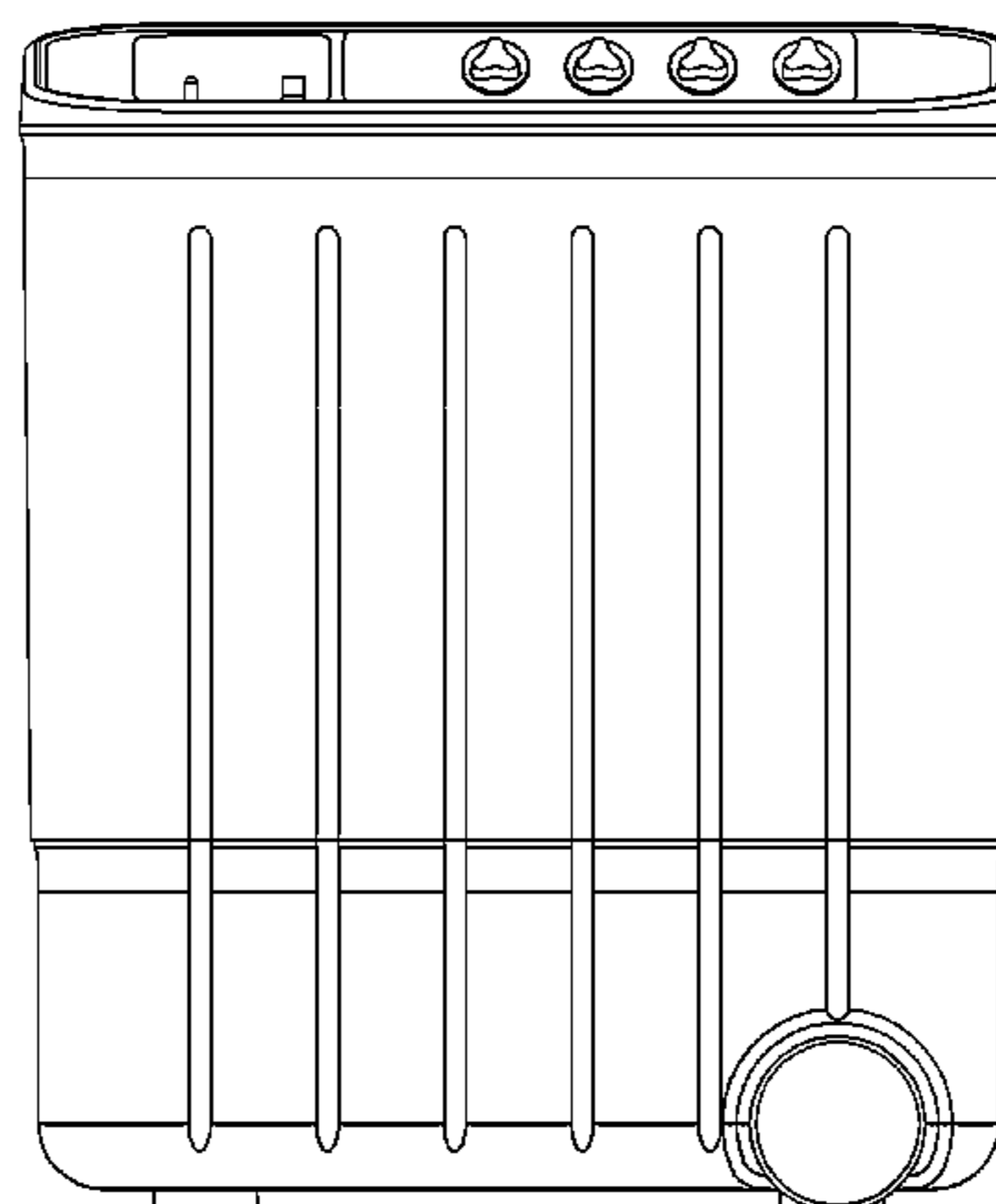
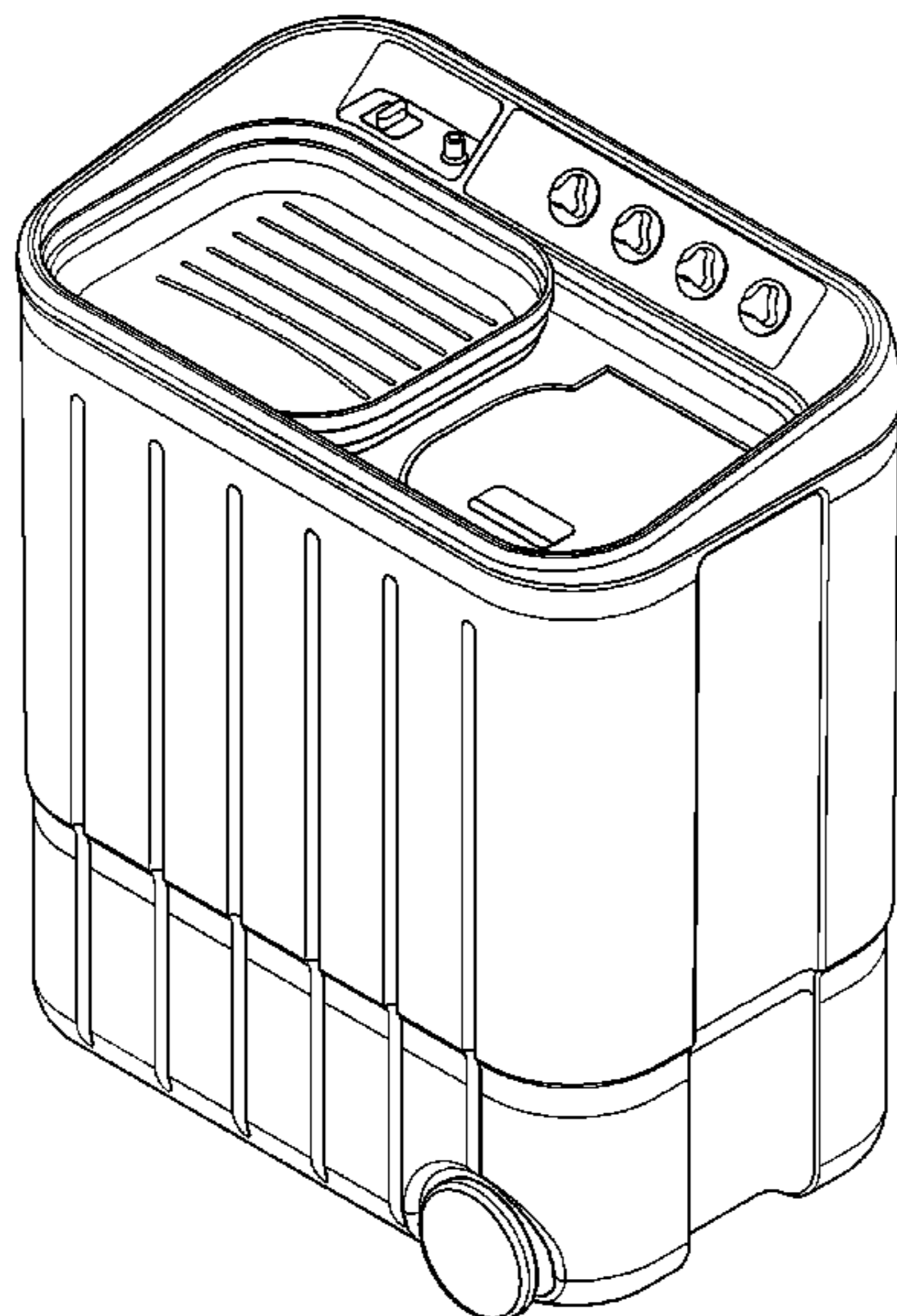
FIG. 4 is a left-side elevational view thereof;

FIG. 5 is a right-side elevational view thereof;

FIG. 6 is a top-side elevational view thereof; and,

FIG. 7 is a bottom-side elevational view thereof.

1 Claim, 6 Drawing Sheets



(56)

References Cited

OTHER PUBLICATIONS

U.S. PATENT DOCUMENTS

D596,367 S * 7/2009 Katz D34/19
D603,118 S * 10/2009 Gollinucci D34/7
D604,921 S * 11/2009 Presnell D34/1
D624,255 S * 9/2010 Ha D32/25
D625,520 S * 10/2010 Greene, Jr. D3/304
D669,650 S * 10/2012 Ellis D34/1
2002/0030425 A1 * 3/2002 Tiramani et al. 312/108
2007/0044517 A1 * 3/2007 Yang et al. 68/17 R
2007/0273114 A1 * 11/2007 Katz 280/47.18
2011/0181008 A1 * 7/2011 Bensman et al. 280/47.26

Runsun XPB32-800S, Announced Nov. 3, 2009, [Site Visited Mar. 6, 2015]<http://www.washing-machine-wizard.com/runsun-xpb32800s.html>. *
6.5KG Electric Portable Twin Tub Mini Washing Machine Spin Dryer, Announced Oct. 5, 2011, [Site Visited Mar. 6, 2015] <http://superbriteuk.com/twin-tub-washing-portable-machine-medium>. *

* cited by examiner

FIG. 1

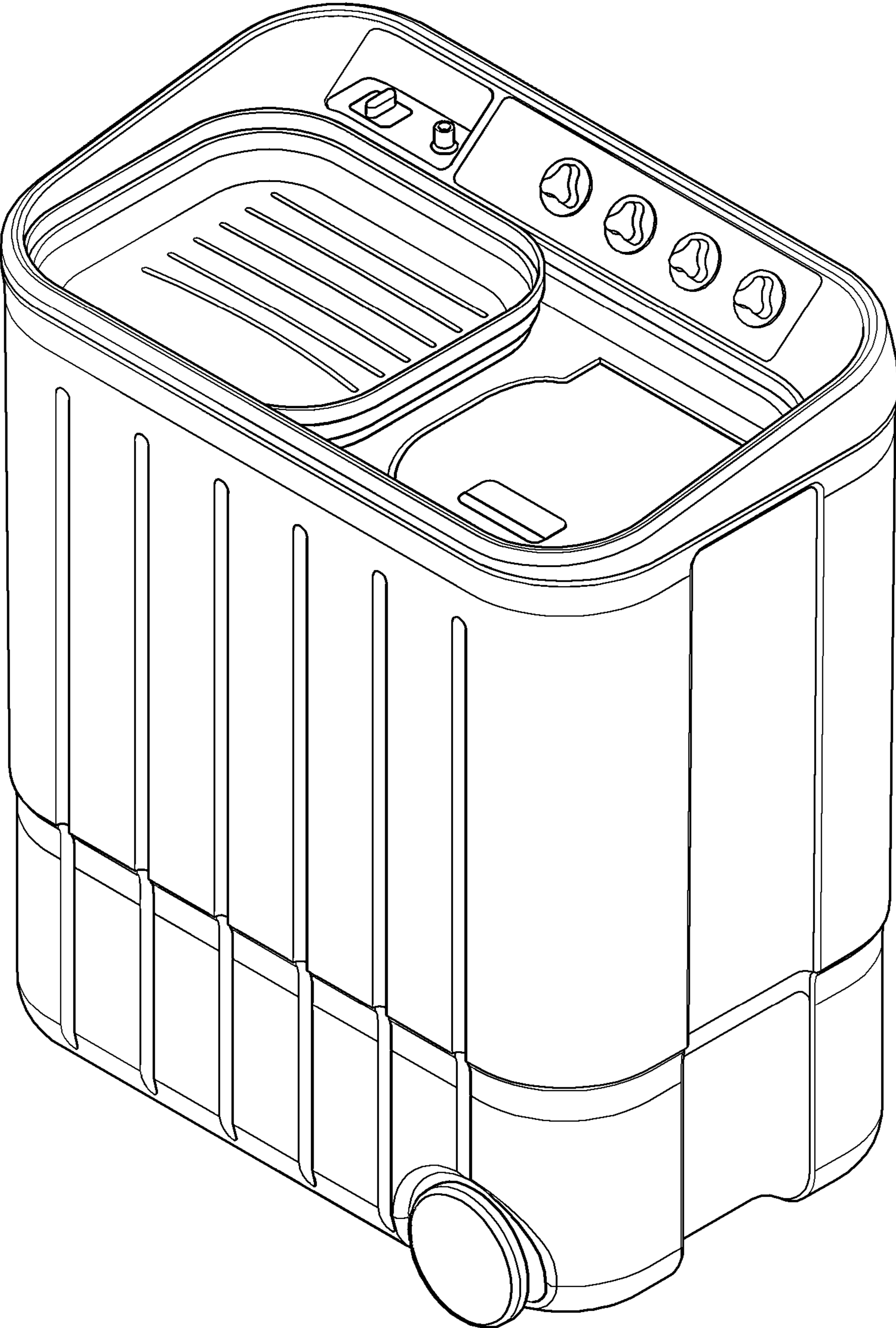


FIG. 2

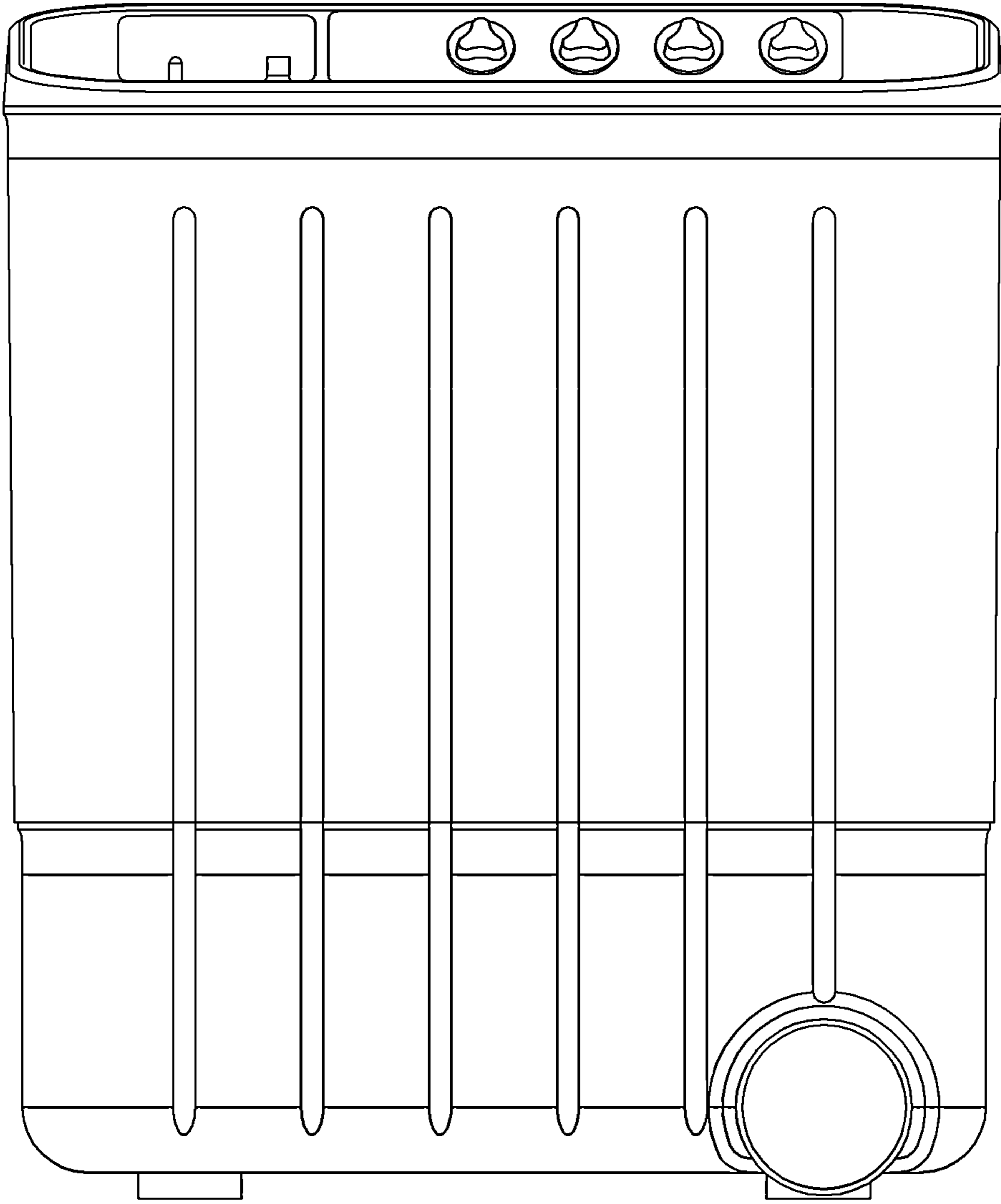


FIG. 3

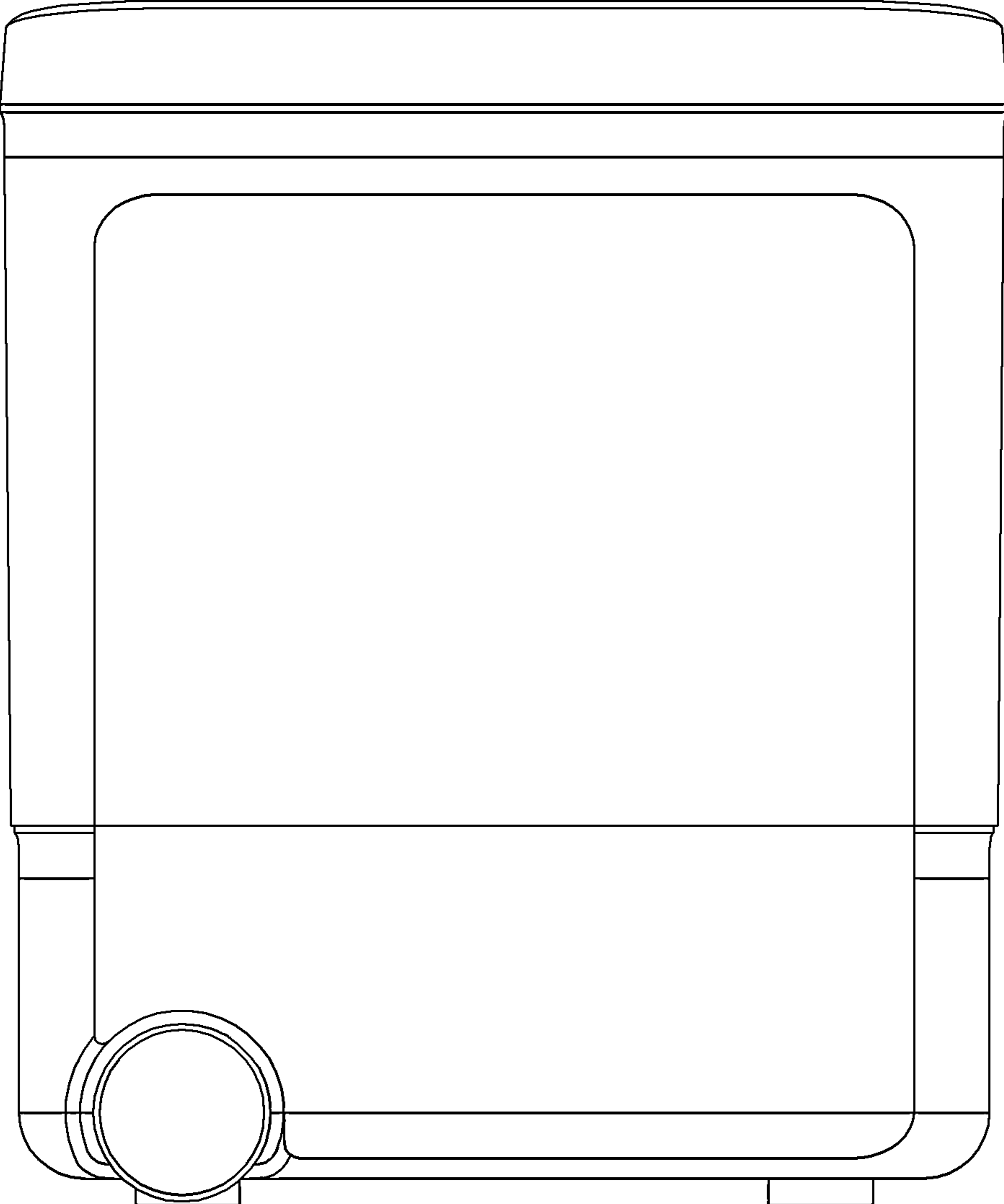


FIG. 4

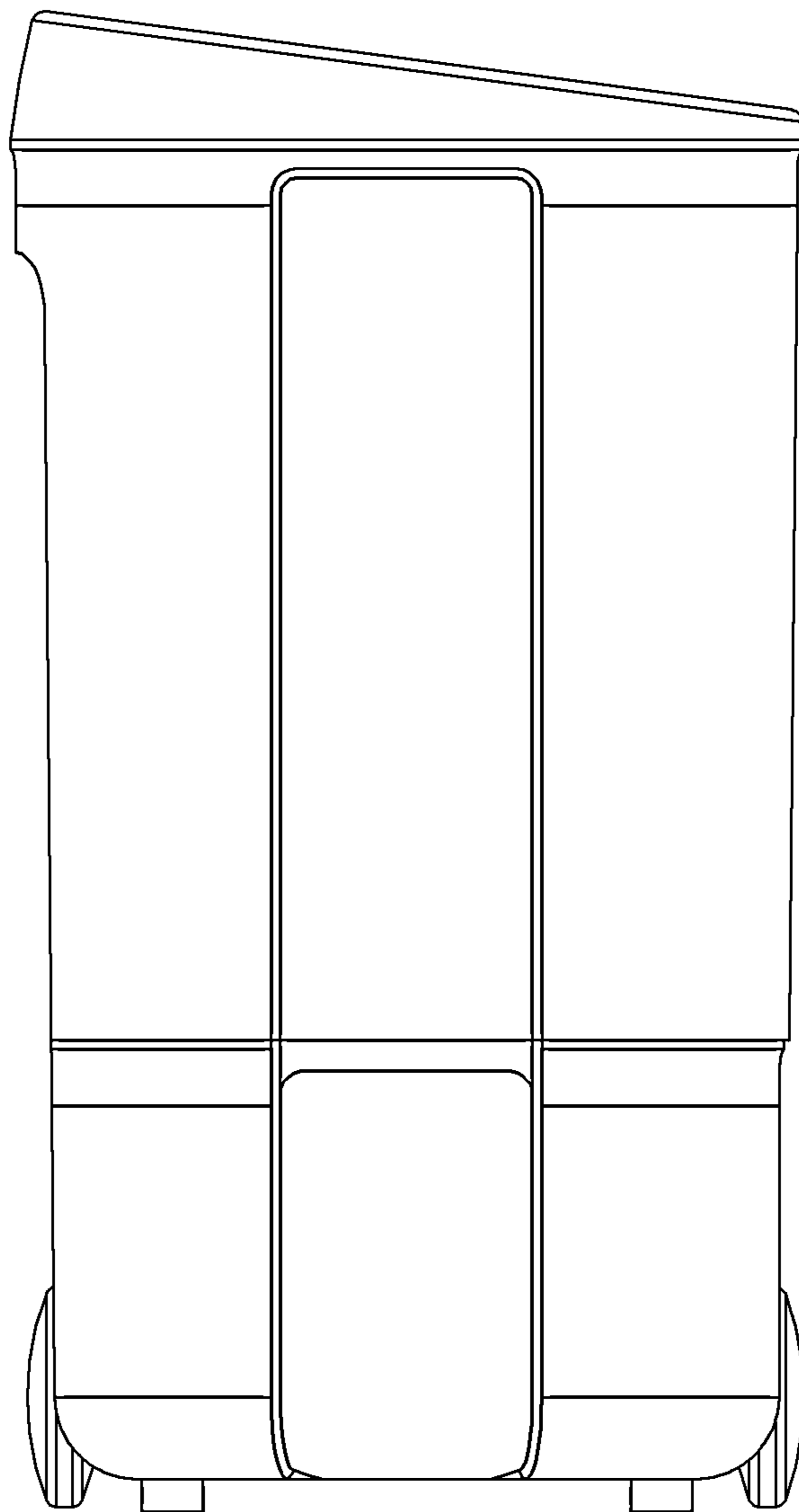


FIG. 5

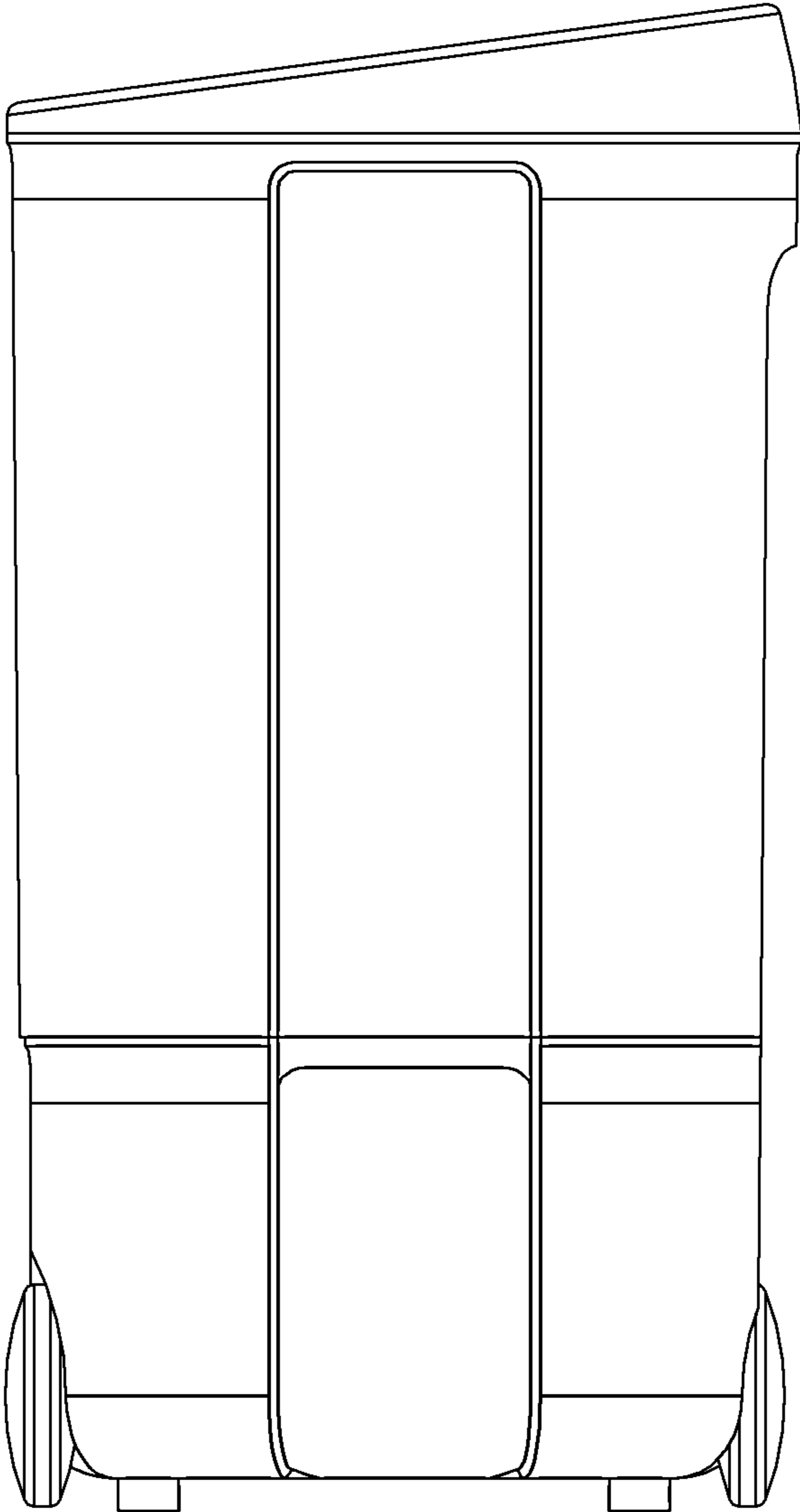


FIG. 6

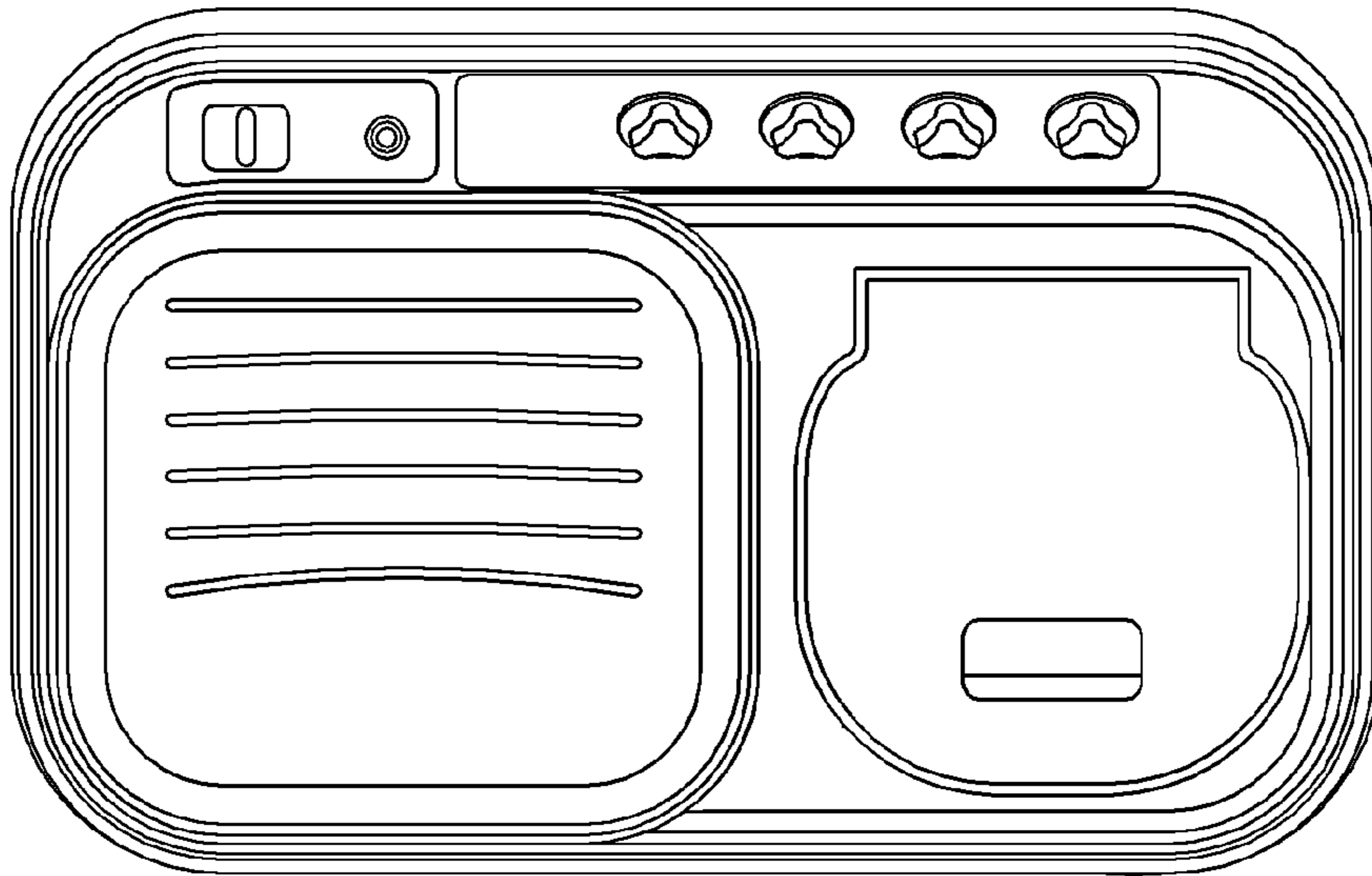


FIG. 7

