



US00D732756S

(12) **United States Design Patent**  
**Roberson et al.**

(10) **Patent No.:** **US D732,756 S**  
(45) **Date of Patent:** **\*\* Jun. 23, 2015**

(54) **LIGHTED DISHWASHER DOOR**

(56) **References Cited**

(71) Applicant: **BSH Home Appliances Corporation**,  
Irvine, CA (US)

U.S. PATENT DOCUMENTS

(72) Inventors: **Lindsay Roberson**, Durham, NC (US);  
**Michael Georg Rosenbauer**,  
Reimlingen (DE); **Metin Tastan**,  
Dillingen (DE); **Ralf Winkler**,  
Wittislingen (DE)

2,703,581	A *	3/1955	Culhane .....	134/133
3,619,592	A *	11/1971	Lamb, Jr. ....	134/57 D
5,436,815	A *	7/1995	Grooms et al. ....	362/216
D421,142	S *	2/2000	Bayat .....	D26/42
D425,234	S *	5/2000	Marier .....	D26/78
6,295,004	B1 *	9/2001	Burnett .....	134/113
D473,980	S *	4/2003	Bowser et al. ....	D32/3
6,837,591	B2 *	1/2005	Tufte .....	362/92
D512,544	S *	12/2005	Jeong et al. ....	D32/3
D515,255	S *	2/2006	Jeong .....	D32/3
D544,657	S *	6/2007	Jung et al. ....	D32/2
D580,603	S *	11/2008	Busalt et al. ....	D32/3
7,651,232	B2 *	1/2010	Baumgartner et al. ....	362/91

(73) Assignee: **BSH Home Appliances Corporation**,  
Irvine, CA (US)

(\*\*) Term: **14 Years**

(Continued)

(21) Appl. No.: **29/479,123**

*Primary Examiner* — Robert Delehanty

(22) Filed: **Jan. 13, 2014**

(74) *Attorney, Agent, or Firm* — James E. Howard; Andre Pallabies

**Related U.S. Application Data**

(57) **CLAIM**

(60) Division of application No. 29/467,696, filed on Sep. 23, 2013, now Pat. No. Des. 702,006, which is a division of application No. 29/434,111, filed on Oct. 10, 2012, now Pat. No. Des. 696,477, which is a division of application No. 29/410,163, filed on Jan. 5, 2012, now Pat. No. Des. 675,792, which is a continuation-in-part of application No. 13/043,504, filed on Mar. 9, 2011, now Pat. No. 8,556,439.

The ornamental design for a lighted dishwasher door, as shown and described.

(51) **LOC (10) Cl.** ..... **15-05**

**DESCRIPTION**

(52) **U.S. Cl.**  
USPC ..... **D32/3; D26/42**

FIG. 1 is a perspective view of a light for a dishwasher door according to a first embodiment showing our new ornamental design;  
FIG. 2 is a top view thereof;  
FIG. 3 is a front view thereof;  
FIG. 4 is a right side view thereof; and,  
FIG. 5 is a left side view thereof.

(58) **Field of Classification Search**  
USPC ..... D32/1-3, 25, 28; 312/31, 109, 228;  
134/56 D, 57 D, 58 D, 58 DL, 201,  
134/57 DL; D7/340, 348-350, 405; D26/42,  
D26/3, 27, 43, 75; 362/555, 551, 602-605,  
362/91

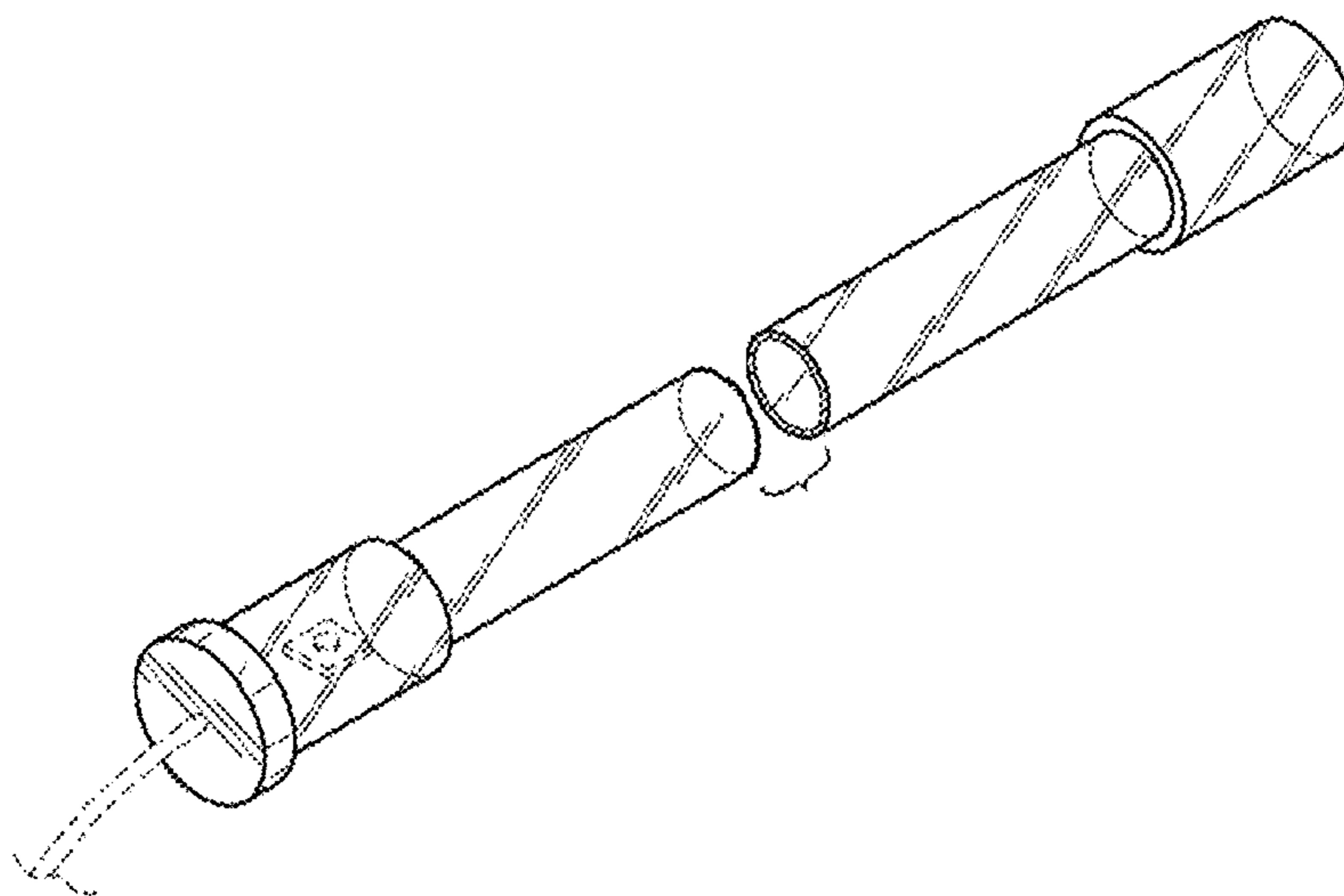
The broken lines of the dishwasher, door and/or components thereof show surrounding structure or environment and do not form part of the claimed design.

The dotted lines represent the border between claimed and unclaimed subject matter and do not form a part of the claimed design.

The rear of the dishwasher door, and the bottom, sides, rear and/or top of the dishwasher are unornamented or simply not claimed and form no part of the claimed design.

See application file for complete search history.

**1 Claim, 2 Drawing Sheets**



(56)

**References Cited**

U.S. PATENT DOCUMENTS

D612,086 S *	3/2010	Brauer et al.	.....	D26/42	8,388,172 B2 *	3/2013	Yue et al.	.....	362/219
D622,915 S *	8/2010	Crookshanks et al.	.....	D32/3	8,556,439 B2 *	10/2013	Eng et al.	.....	362/602
8,021,009 B2 *	9/2011	Knoll et al.	.....	362/602	D711,573 S *	8/2014	Payne	.....	D26/42
D675,792 S *	2/2013	Eng et al.	.....	D32/3	8,870,392 B2 *	10/2014	Kleinert et al.	.....	353/119
D677,025 S *	2/2013	Borjesson	.....	D32/3	2008/0106429 A1 *	5/2008	Kaczmarek et al.	.....	340/679
					2008/0236563 A1 *	10/2008	Wilsdorf	.....	340/540
					2010/0147338 A1 *	6/2010	Busing et al.	.....	134/56 D
					2011/0031856 A1 *	2/2011	Haltmayer et al.	.....	312/228

\* cited by examiner

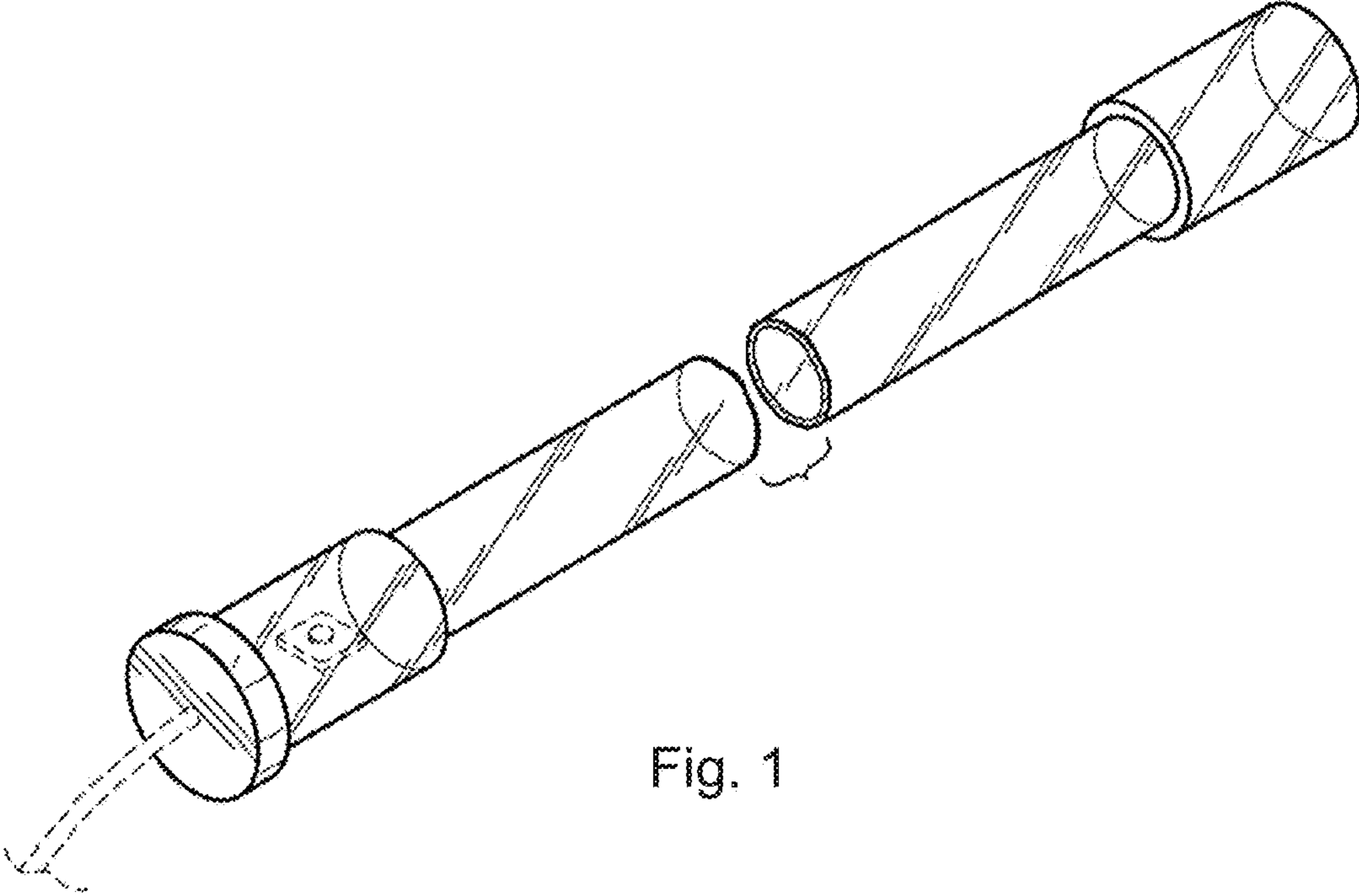


Fig. 1

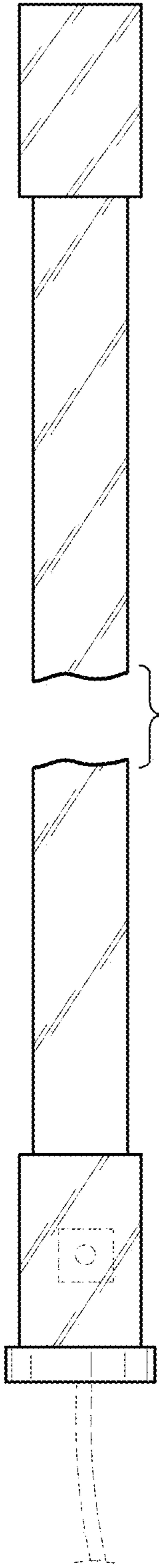


Fig. 2

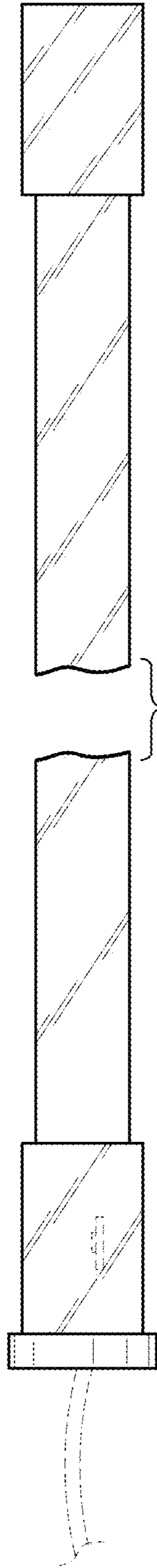


Fig. 3

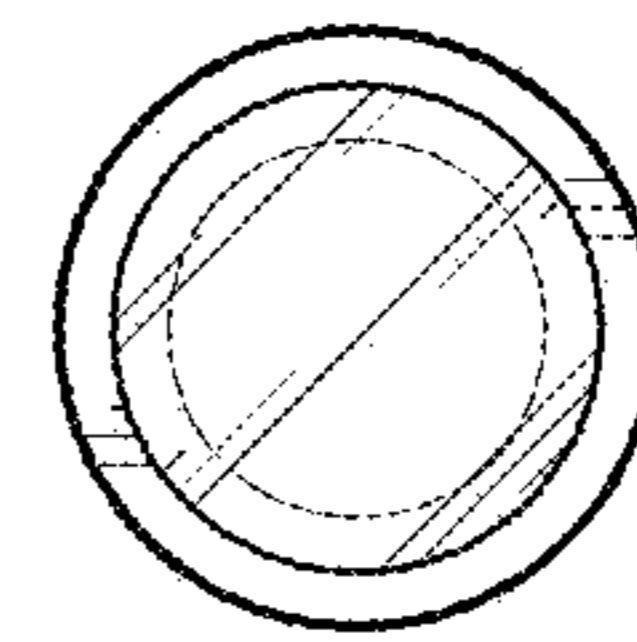


Fig. 4

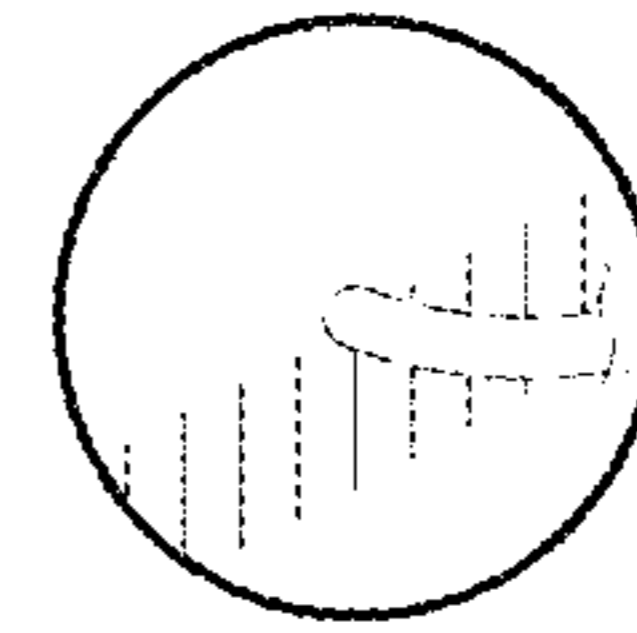


Fig. 5